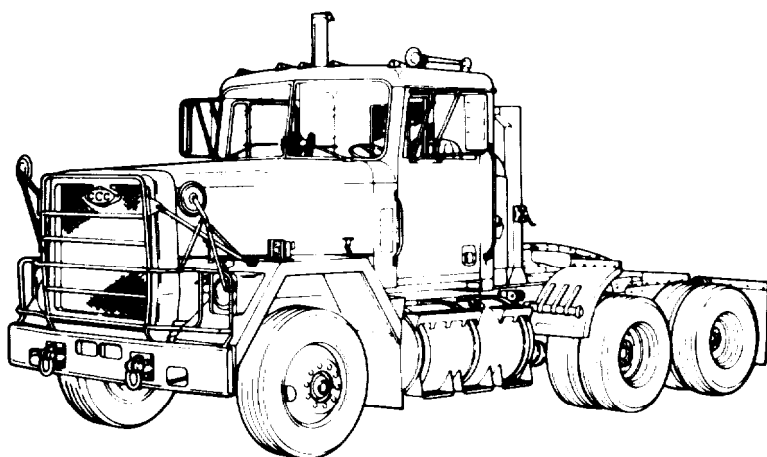


TECHNICAL MANUAL

**DIRECT SUPPORT AND
GENERAL SUPPORT
MAINTENANCE**

**TRUCK TRACTOR, LINE HAUL,
50,000 GVWR, 6 x 4, MQ 15A1**

(NSN 2320-01-125-2640)



**HEADQUARTERS,
DEPARTMENT OF THE ARMY**

**FRONT AXLE
PAGE 3-565**

**REAR TANDEM
AXLES
PAGE 3-572**

**BRAKE SYSTEM
PAGE 3-732**

**WHEELS
PAGE 3-797**

**STEERING SYSTEM
PAGE 3-803**

**FRAM AND
TOWING
ATTACHMENTS
PAGE 3-838**

**SPRINGS SHOCK
ABSORBERS, AND
TORQUE RODS
PAGE 3-861**

**CAB AND BODY
PAGE 3-925**

**APPENDICES
PAGE A-1**

This manual may include copyrighted technical data of one or more of the following subcontractors of AM General Corporation:

©1981	Anchorlock, Division of Lear Siegler, Inc.
©1981	Bendix Corporation, Heavy Vehicle Systems Group
©1982	Bostrom, Division of UOP, Inc.
©1982	Cummins Engine Company, Incorporated
©1982	Detroit Diesel Allison, Division of General Motors Corporation
©1981	Eaton Corporation, Axle Division
©1980	Gunitite, Division of Kelsey-Hayes Co.
©1982	Hendrickson Mfg. Co., Tandem Division
©1981	Holland Hitch Company
©1982	Kent-Moore Tool Division
©1981	Leece-Neville, Sheller Globe Division
©1982	Owatonna Tool Company
©1981	Ross Gear, Division of TRW, Inc.

AM General has written permission from any and all such subcontractors holding copyrights to grant the United States Government a royalty free, non-exclusive and irrevocable license throughout the world for Governmental purposes to publish, translate, reproduce, deliver, perform, dispose of, and to authorize others so to do, all technical data now or hereafter covered by copyright. Any use other than that authorized above must be made with the express permission of AM General or the subcontractor whose copyrighted material is being used. This notice must be reproduced on all copies or portions thereof.

WARNING

Snaprings are spring steel and may pop off when being removed. Wear a face shield when removing snaprings to prevent personal injury.

WARNING

When using a hydraulic press for removal or installation of bearings, wear a face shield to prevent possible injury to personnel.

WARNING

Compressed air used for cleaning or repair purposes will not exceed 30 psi. Use only with effective chip guarding and personal protective equipment (goggles/shield, gloves, etc.).

WARNING

To avoid injury, do not work in engine compartment with engine running.

WARNING

Direct all personnel to stand clear during hoisting operations. A heavy or swinging load can cause severe injury.

WARNING

Use extreme care when handling broken glass. Broken, chipped, or cracked glass can cause serious injury. When removing broken glass, wear protective face shield and gloves.

DIRECT SUPPORT AND GENERAL SUPPORT
MAINTENANCE MANUAL

TRUCK TRACTOR, LINE HAUL,
50,000 GVWR, 6 X 4, M915A1

REPORTING ERRORS AND RECOMMENDING IMPROVEMENTS

You can help improve this manual. If you find any mistakes or if you know of a way to improve the procedures, please let us know. Mail your letter, DA Form 2028 (Recommended Changes to Publications and Blank Forms), or DA Form 2028-2 located in the back of this manual directly to Commander, U. S. Army Tank-Automotive Command, ATTN: DRSTA-MB, Warren, MI 48090. A reply will be furnished to you.

VOLUME 2 OF 2

	Page
Section VII. FRONT AXLE	3-565
3-58. General	3-565
3-59. Task Summary	3-565
3-60. Front Axle Replacement	3-566
Section VIII. REAR TANDEM AXLES	3-572
3-61. General	3-572
3-62. Task Summary	3-572
3-63. Forward-Rear Axle Replacement	3-576
3-64. Forward-Rear Axle Housing and Cove Repair	3-584
3-65. Forward-Rear Axle Yoke and Oil Seal Replacement	3-592
3-66. Forward-Rear Axle Flange and Oil Seal Replacement	3-596
3-67. Differential Carrier Cover Replacement	3-600
3-68. Differential Carrier Cover Repair	3-606
3-69. Forward-Rear Axle Carrier Replacement	3-624
3-70. Forward-Rear Axle Carrier Repair	3-630
3-71. Differential Lockout Replacement and Repair	3-666
3-72. Rear-Rear Axle Replacement	3-674

	Page
Section VIII.	REAR TANDEM AXLES (Continued)
3-73.	Rear-Rear Axle Housing Repair 3-682
3-74.	Rear-Rear Axle Flange and Oil Seal Replacement : : 3-688
3-75.	Rear-Rear Axle Carrier Replacement 3-692
3-76.	Rear-Rear Axle Carrier Repair 3-698
Section IX.	BREAK SYSTEM 3-732
3-77.	General 3-732
3-78.	Task Summary 3-732
3-79.	Trailer Handbrake Valve Repair 3-734
3-80.	Brake Treadle Valve Repair 3-744
3-81.	Brake Shoe Repair 3-758
3-82.	Forward-Rear Axle Brake Chamber Repair..... 3-766
3-83.	Air Compressor Governor Adjustment..... 3-778
3-84.	Air Compressor Governor Replacement 3-784
3-85.	Air Compressor Governor Repair 3-788
Section X.	3-86 General 3-797
	3-87: Task Summary 3-797
	3-88. Brakedrum Repair 3-798
Section XI.	STEERING SYSTEM 3-802
3-89.	General 3-802
3-90.	Task Summary 3-802
3-91.	Steering System Internal Leakage Test 3-804
3-92.	Steering Gear Adjustment 3-810
3-93.	Steering Gear Replacement 3-822
3-94.	Steering Pump and Reservoir Repair 3-830
Section XII.	FRAME AND TOWING ATTACHMENT 3-838
3-95.	General 3-838
3-96.	Task Summary 3-838
3-97.	Fifth Wheel Repair 3-840
Section XIII.	SPRING SHOCK ABSORBERS, AND TORQUE RODS 3-860
3-98.	General 3-860
3-99.	Task Summary 3-860
3-100.	Rear Tandem Axle Spring and Saddle Replacement 3-862
3-101.	Rear Tandem Axle Spring Hanger Replacement 3-872
3-102.	Equalizer Beam Replacement 3-884
3-103.	Equalizer Beam Repair 3-894
3-104.	Front Spring Replacement 3-902
3-105.	Front Spring Repair 3-914
3-106.	Torque Rod Repair 3-920

	Page
Section XIV CAB AND BODY	3-925
3-107. General.....	3-925
3-108. Task Summary	3-925
3-109. Cab Insulators Replacement	3-928
3-110. Cab Shell Replacement	3-940
3-111. Door Replacement	3-966
3-112. Door Repair	3-974
3-113. Door Striker Assembly Replacement	3-1008
3-114. Windshield Replacement	3-1016
3-115. Rear Window Replacement	3-1026
3-116. Rear Window Repair	3-1034
3-117. Driver's Seat Repair	3-1042
3-118. Companion Seat Repair	3-1074
APPENDIX A. REFERENCE	A-1
A-1 Publication Indexes and General References	A-1
A-2: Forms	A-1
A-3. Other Publications	A-1
APPENDIX B. EXPENDABLE SUPPLIES AND MATERIALS LIST	B-1
Section I. INTRODUCTION	B-1
B-1. Scope	B-1
B-2. Explanation of Columns.....	B-1
Section II. EXPENDABLE SUPPLIES AND MATERIALS LIST	B-2
APPENDIX C. ILLUSTRATED LIST OF MANUFACTURED ITEMS	C-1
APPENDIX D. TORQUE LIMITS	D-1
GLOSSARY	Glossary 1
ALPHABETICAL INDEX	Index 1



Section VII. FRONT AXLE

3-58. GENERAL.

This section provides procedures authorized at direct and general support maintenance levels to replace front axle components. To find a specific procedure contained in this section, see the task summary below:

3-59. TASK SUMMARY.			
<u>INITIAL SETUP</u>			
<u>APPLICABLE CONFIGURATIONS</u> ALL.	<u>EQUIPMENT CONDITION PARAGRAPH</u> TM 9-2320-283-10.	<u>CONDITION DESCRIPTION</u> Air drained from air system.	
<u>TEST EQUIPMENT</u> None.	TM 9-2320-283-20.	Drums, hubs, bearings, and seals removed.	
<u>SPECIAL TOOLS</u> None.	TM 9-2320-283-20.	Spiders and back plates removed.	
<u>MATERIALS/PARTS (P/N)</u> None.	TM 9-2320-283-20.	Shocks removed.	
	TM 9-2320-283-20.	Drag link removed.	
<u>PERSONNEL REQUIRED</u> Two (MOS-63W).	<u>SPECIAL ENVIRONMENTAL CONDITIONS</u> None.		
<u>REFERENCE (TM)</u> TM92320-283-10 TM 9-2320-283-20.	<u>GENERAL SAFETY INSTRUCTIONS</u> Block rear wheels.		
<u>TROUBLESHOOTING REFERENCES</u> None.			
LIST OF TASKS			
	TASK	TASK REF	TROUBLESHOOTING REF NO. (PARA)
Front Axle Replacement		3-60	
a. Removal.		3-60a	
b. Cleaning.		3-60b	
c. Inspection.		3-60c	
d. Installation.		3-60d	

FRONT AXLE.

3-60. FRONT AXLE REPLACEMENT.

THIS TASK COVERS:

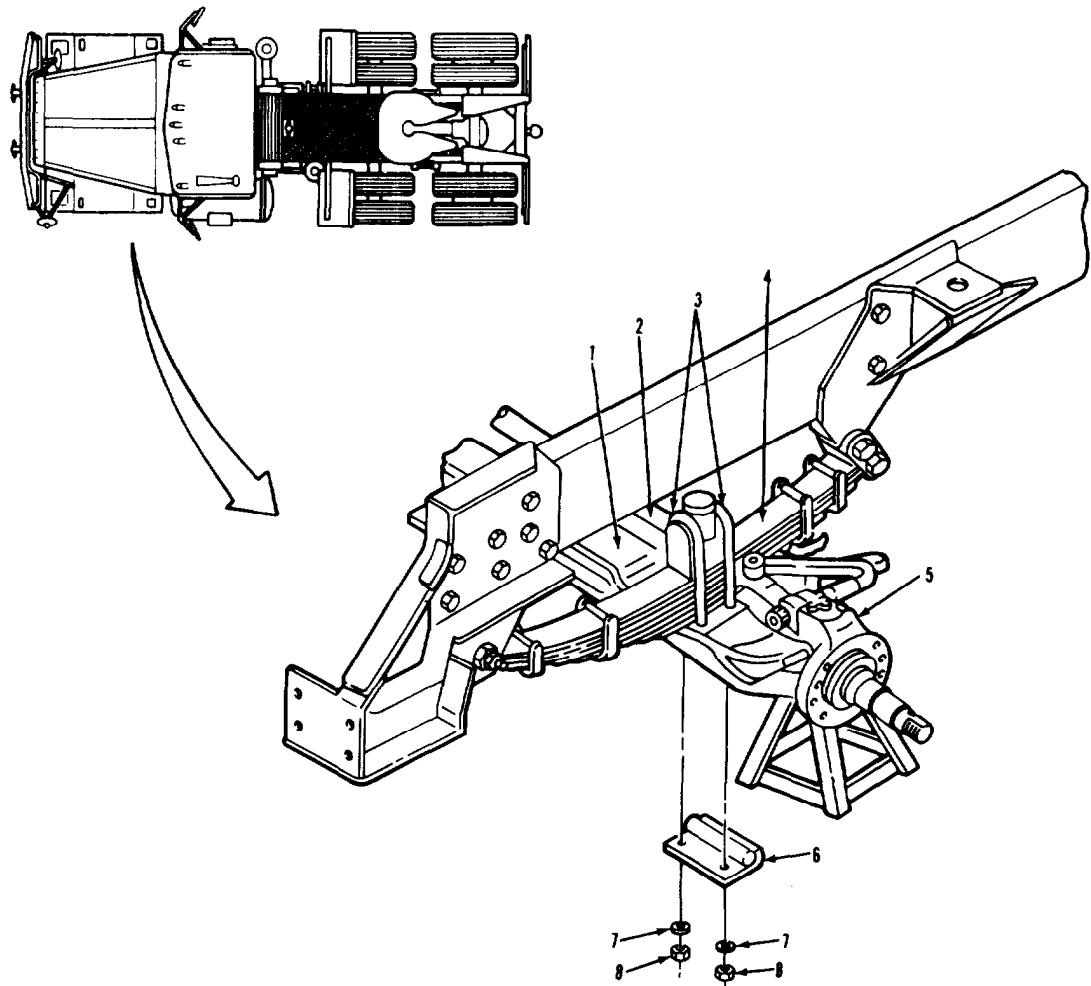
- a. Removal.
- b. Cleaning.
- c. Inspection.
- d. Installation.

INITIAL SETUP

<u>APPLICABLE CONFIGURATIONS</u>	<u>EQUIPMENT CONDITION PARAGRAPH</u>	<u>CONDITION DESCRIPTION</u>
ALL.	TM- 9- 2320- 283- 10	Air drained from air system.
<u>TEST EQUIPMENT</u> None.	TM 9- 2320- 283- 20.	Drums, hubs, bearings, and seals removed.
<u>SPECIAL TOOLS</u> None.	TM 9- 2320- 283- 20.	Brake shoes, spiders, and backplates removed.
<u>MATERIALS/PARTS (P/N)</u> None.	TM 9- 2320- 283- 20.	Shocks removed.
<u>MATERIALS/PARTS (P/N)</u> None.	TM 9- 2320- 283- 20.	Drag link removed.
<u>PERSONNEL REQUIRED</u> Two (MOS- 63W).	<u>SPECIAL ENVIRONMENTAL CONDITIONS</u> None.	
<u>REFERENCES (TM)</u> TM 9- 2320- 283- 10 TM 9- 2320- 283- 20	<u>GENERAL SAFETY INSTRUCTIONS</u> Block rear wheels.	
<u>TROUBLESHOOTING REFERENCES</u> None.		

FRONT AXLE.

3-60. FRONT AXLE REPLACEMENT (Continued).



LEGEND:

- | | |
|-----------------------------------|-------------------------------------|
| 1. FRONT NONDRIVING AXLE ASSEMBLY | 5. STEERING MECHANISM |
| 2. TIE ROD TUBE ASSEMBLY | 6. LOWER SHOCK MOUNTING BRACKET (2) |
| 3. U-BOLT (4) | 7. FLAT WASHER (8) |
| 4. FRONT SPRING ASSEMBLY (2) | 8. HEXAGON HEAD NUT (8) |

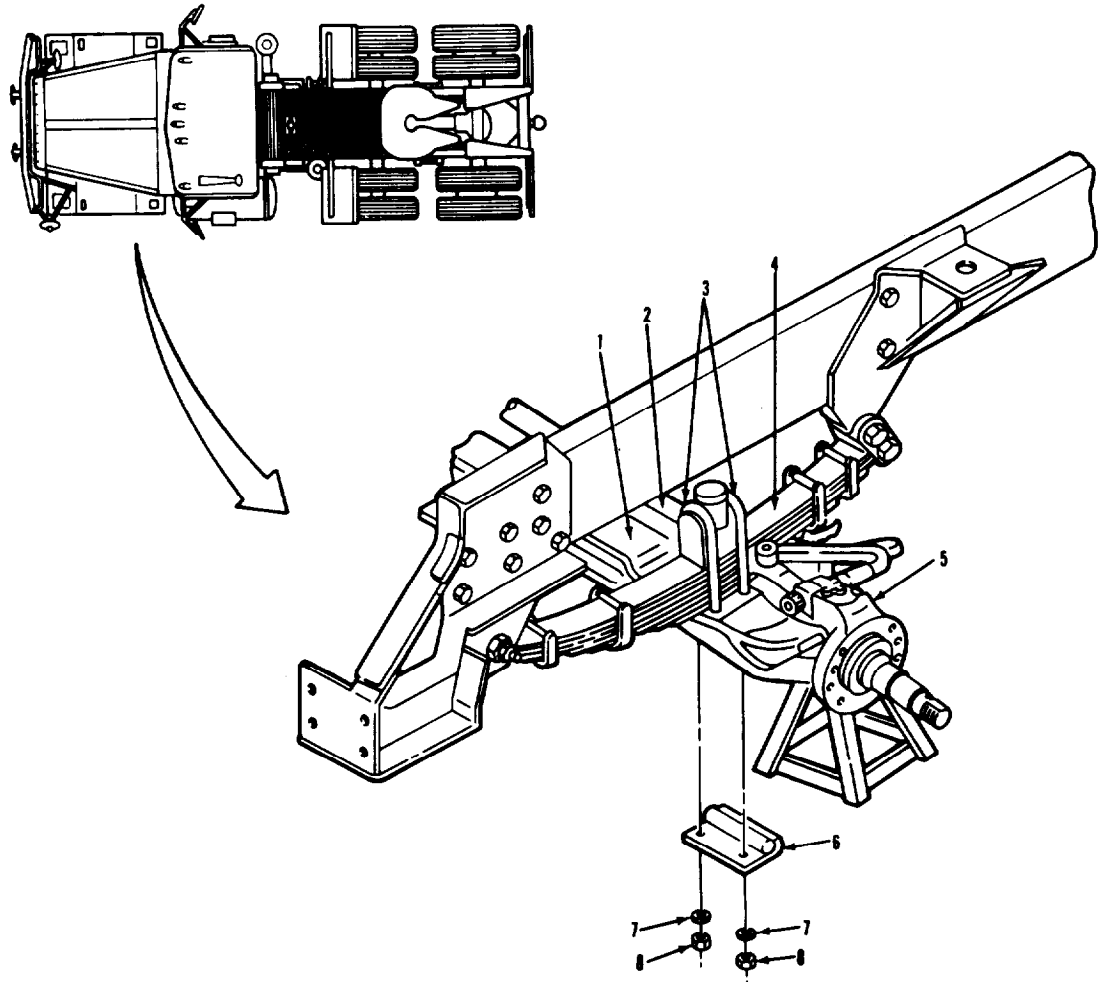
TA 23338334

FRONT AXLE.

3-60. FRONT AXLE REPLACEMENT (Continued).		
LOCATION/ITEM	ACTION	REMARKS
A. REMOVAL		
NOTE		
Before removing front axle, make sure front of vehicle is supported by two jack stands as shown in illustration.		
1. Front nondriving axle assembly (1).	Position floor jack under center and raise until weight of item (1) is supported.	Use floor jack rated for ten ton capacity.
2. Eight nuts (8), washers (7), and two brackets (6).	Remove from four items (3) and item (1).	It is not necessary to remove four items (3) from two items (5).
3. Front nondriving axle assembly (1).	a. Using floor jack, lower and remove from under vehicle. b. Using suitable lifting device, lift off of floor jack and place on clean work surface.	Have assistant help guide item (1) during removal.
B. CLEANING		
4. All parts.	Clean.	Refer to paragraph 3-4.
C. INSPECTION.		
5. All parts.	Inspect.	Refer to paragraph 3-5. If either items (20) or items (4) are damaged, refer to TM 9-2320-283-20 for repair. If item (1) is damaged, replace it with items (5) and (2) attached.

FRONT AXLE.

3-60. FRONT AXLE REPLACEMENT (Continued).



LEGEND:

- 1. FRONT NONDRIVING AXLE ASSEMBLY
- 2. TIE ROD TUBE ASSEMBLY
- 3. U-BOLT (4)
- 4. FRONT SPRING ASSEMBLY (2)

- 5. STEERING MECHANISM
- 6. LOWER SHOCK MOUNTING BRACKET (2)
- 7. FLAT WASHER (8)
- 8. HEXAGON HEAD NUT (8)

TA 238335

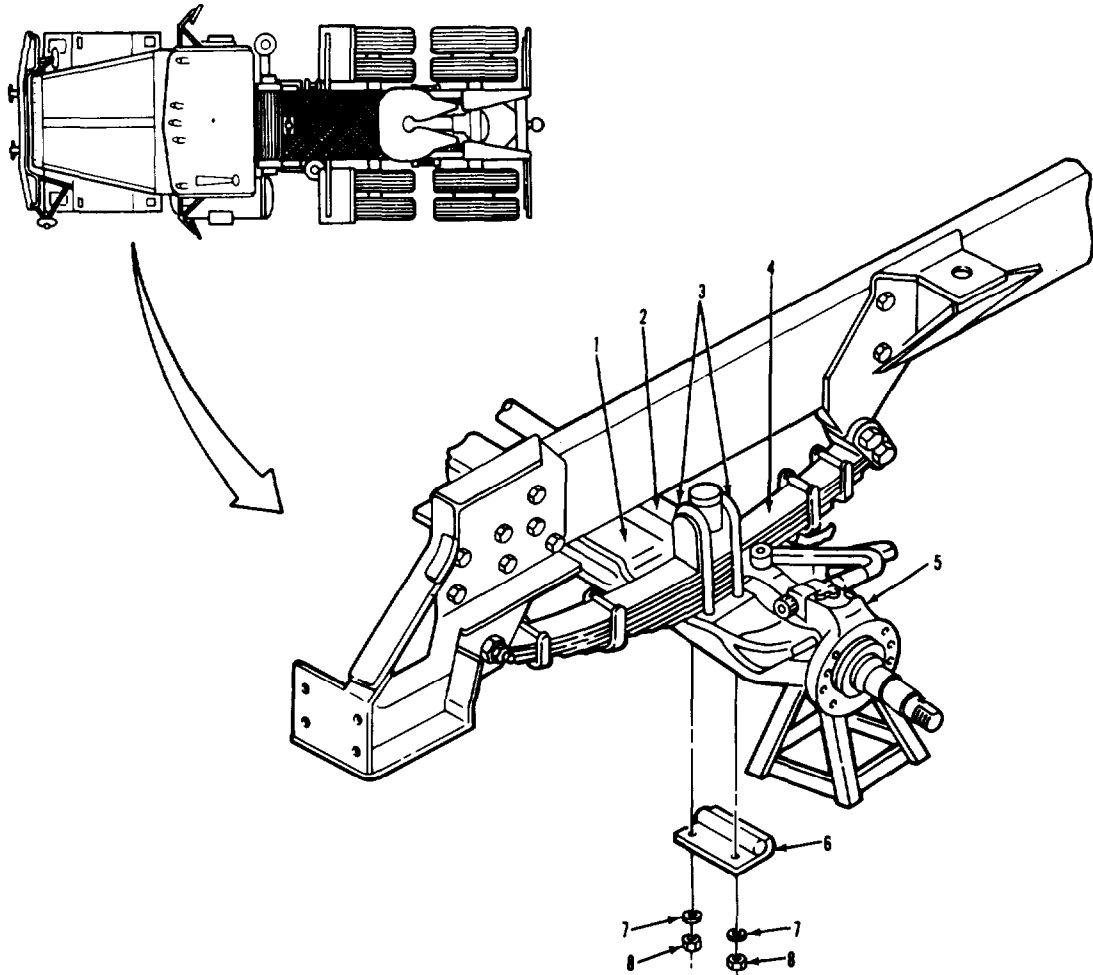
FRONT AXLE.

3-60. FRONT AXLE REPLACEMENT (Continued).

LOCATION/ITEM	ACTION	REMARKS
D. INSTALLATION.		
6. Front nondriving axle assembly (1).	a. Using suitable lifting device, place on floor jack.	Make sure item (1) is centered on floor jack before doing step 6b.
	b. Using floor jack, roll into position under vehicle and raise until item (1) is against two items (4).	Have assistant help guide item (1) during installation. Make sure center bolt of item (4) enters guide hole of item (1).
NOTE		
Tighten each nut so that approximately the same number of threads protrude beyond nut on each side of U-bolt.		
7. Two brackets (6): eight nuts (8), and four washers (7).	Install on item (1) and and four items (3).	Torque eight items (8) to 350-375 lb-ft.
NOTE		
Follow on maintenance action required:		
<p>Install drag link (TM 9-2320-283-20).</p> <p>Install shocks (TM 9-2320-283-20).</p> <p>Install brake shoes, spiders and backplates (TM 9-2320-283-20).</p> <p>Install drums, hubs, bearings, and seals (TM 9-2320-283-20).</p> <p>Remove jack stands and jack.</p> <p>Check front end alignment and adjust if necessary (TM 9-2320-283-20).</p> <p>Road test vehicle and check for vibration, steering, or brake problems.</p>		

FRONT AXLE.

3-60. FRONT AXLE REPLACEMENT (Continued).



LEGEND:

- | | |
|-----------------------------------|-------------------------------------|
| 1. FRONT NONDRIVING AXLE ASSEMBLY | 5. STEERING MECHANISM |
| 2. TIE ROD TUBE ASSEMBLY | 6. LOWER SHOCK MOUNTING BRACKET (2) |
| 3. U-BOLT (4) | 7. FLAT WASHER (8) |
| 4. FRONT SPRING ASSEMBLY (2) | 8. HEXAGON HEAD NUT (8) |

TA 238336

Section VIII. REAR TANDEM AXLES

3-61 GENERAL .

This section provides procedures authorized at direct and general support maintenance levels to replace and repair rear tandem axle components. To find a specific procedure contained in this section, see the task summary below:

3-62. TASK SUMMARY.

INITIAL SETUP

<u>APPLICABLE CONFIGURATIONS</u>	<u>EQUIPMENT CONDITION PARAGRAPH</u>	<u>CONDITION DESCRIPTION</u>
ALL.	(Refer to specific paragraph for this information).	
<u>TEST EQUIPMENT</u>		
None.		
<u>SPECIAL TOOLS</u>		
Flange tool (33287) J3453.	Staking tool (33287) J-26883.	
<u>MATERIALS/PARTS (P/N)</u>		
Grease, automotive and artillery Item 7, Appendix B.	Cone, outer pinion bearing (52304) 110846.	Cone, pinion bearing (2) (52304) 12496.
Sealant, silicone rubber Item 27, Appendix B.	Cup, inner pinion bearing (52304) 14217.	Seal, oil (52304) 79470.
Oil, lubricating, engine, OE/HDO-10 Item 16, Appendix B.	Cup, outer pinion bearing (52304) 35502.	Cup, pinion bearing (2) (52304) 12495.
Oil, lubricating: OE/HDO-30 Item 17, Appendix B.	Pin, cotter (52304) 90873.	Bearing, pinion pilot (52304) 15828.
Seal, oil (52304) 64656.	Screw, hex head (12) (52304) 96271.	Cup differential bearing (52304) 9803.
Seal, oil (52304) 63910.	Grommet, push rod (52304) 32826.	Cone, differential bearing (52304) 27813.
O-ring, output shaft (2) (52304) 46526.	Grommet, piston (52304) 32832.	Cup differential bearing (52304) 6082.
Locknut, hex head (8) (52304) 57637.	Oiler, piston, felt (52304) 96916.	Cup differential bearing (52304) 90943.
O-ring (52304) 10620.	Grommet, cover (52304) 32831.	Pin, dowel (16) (52304) 7641.
Cone, inner pinion bearing (52304) 85439.	Pin, cotter (52304) 90876.	
<u>PERSONNEL REQUIRED</u>	<u>SPECIAL ENVIRONMENTAL CONDITIONS</u>	
Two (MOS-63W).	Work area clean and away from blowing dirt and dust.	

REAR TANDEM AXLES.

3-62. TASK SUMMARY (Continued).

INITIAL SETUP (Continued).

REFERENCES (TM
 TM 9-2320-283-10.
 TM 9-2320-283-20.
 LO 9-2320-283-12.

TROUBLESHOOTING REFERENCES
 Paragraph 2-7.

GENERAL SAFETY INSTRUCTIONS
 Block front and rear tires.

Snappings are made from spring steel and may pop off during removal. Wear face shield to prevent possible injury.

When using a hydraulic press for removal or installation of bearings, wear a face shield to prevent possible injury.

LIST OF TASKS

TASK NO.	TASK	TASK REF	TROUBLESHOOTING REF NO. (PARA)
1	Forward-Rear Axle Replacement a. Removal. b. Cleaning. c. Inspection. d. Installation.	3-63 3-63a 3-63b 3-63c 3-63d	2-7
2	Forward-Rear Axle Housing and Cover Repair a. Disassembly. b. Cleaning. c. Inspection. d. Assembly.	3-64 3-64a 3-64b 3-64c 3-64d	2-7
3	Forward-Rear Axle Yoke and Oil Seal Replacement a. Removal. b. Cleaning. c. Inspection. d. Installation.	3-65 3-65a 3-65b 3-65c 3-65d	2-7
4	Forward-Rear Axle Flange and Oil Seal Replacement a. Removal. b. Cleaning. c. Inspection. d. Installation.	3-66 3-66a 3-66b 3-66c 3-66d	2-7

REAR TANDEM AXLES.

3-62. TASK SUMMARY (Continued).			
LIST OF TASKS			
TASK NO.	TASK	TASK REF	TROUBLESHOOTING REF NO. (PARA)
5	Differential Carrier Cover Replacement	3-67	2-7
	a. Removal.	3-67a	
	b. ' Inspection.	3-67b	
	c. Checking End Play.	3-67c	
6	Differential Carrier Cover Repair	3-68	2-7
	a. Di sassembly.	3-68a	
	b. Clean ing.	3-68b	
	c. Inspection.	3-68c	
	d. Installation.	3-68d	
	e. Adjusting End Play.	3-68e	
7	Forward-Rear Axle Carrier Replacement	3-69	
	a. Removal.	3-69a	
	b. Clean ing.	3-69b	
	c. Inspection.	3-69c	
	d. Installation.	3-69d	
8	Forward-Rear Axle Carrier Repair	3-70	2-7
	a. Di sassembly.	3-70a	
	b. Clean ing and Inspection.	3-70b	
	c. Assembly.	3-70c	
	d. Adjusting Pini on Bearing Preload.	3-70d	
	e. Adjusting Differential Preload.	3-70e	
	f. Adjusting Ring Gear Backlash.	3-70f	
	g. Ring Gear and Pini on Tooth Contact.	3-70g	
	h. Adjusting Tooth Contact Pattern.	3-70h	
	i. Final Assembly.	3-70i	
	9	Differential Lockout Replacement and Repair	
a. Di sassembly.		3-71a	
b. Clean ing.		3-71b	
c. Inspection.		3-71c	
d. Reassembly.		3-71d	

REAR TANDEM AXLES.

3-62. TASK SUMMARY (Continued).			
LIST OF TASKS			
TASK NO.	TASK	TASK REF	TROUBLESHOOTING REF NO. (PARA)
10	Rear-Rear Axle Replacement	3-72	2-7
	a. Removal.	3-72a	
	b. Cleaning.	3-72b	
	c. Inspection.	3-72c	
	d. Installation.	3-72d	
11	Rear-Rear Axle Housing Repair	3-73	2-7
	a. Disassembly.	3-73a	
	b. Cleaning.	3-73b	
	c. Inspection.	3-73c	
	d. Assembly.	3-73d	
12	Rear-Rear Axle Flange and Oil Seal Replacement	3-74	2-7
	a. Removal.	3-74a	
	b. Cleaning.	3-74b	
	c. Inspection.	3-74c	
	d. Installation.	3-74d	
13	Rear-Rear Axle Carrier Replacement	3-75	2-7
	a. Removal.	3-75a	
	b. Cleaning.	3-75b	
	c. Inspection.	3-75c	
	d. Installation.	3-75d	
14	Rear-Rear Axle Carrier Repair	3-76	2-7
	a. Disassembly.	3-76a	
	b. Cleaning.	3-76b	
	c. Inspection.	3-76c	
	d. Assembly.	3-76d	
	e. Adjusting Pinion Bearing Preload.	3-76e	
	f. Adjusting Differential Preload.	3-76f	
	g. Adjusting Ring Gear Backlash.	3-76g	
	h. Ring Gear and Pinion Tooth Contact.	3-76h	
	i. Adjusting Tooth Contact Pattern.	3-76i	
	j. Final Assembly.	3-76j	

REAR TANDEM AXLES.

3-63. FORWARD-REAR AXLE REPLACEMENT.

THIS TASK COVERS

- a. Removal.
- b. Cleaning.
- c. Inspection.
- d. Installation.

INITIAL SETUP

APPLICABLE CONFIGURATIONS

ALL.

EQUIPMENT CONDITION
PARAGRAPH

TM 9-2320-283-10

CONDITION DESCRIPTION

Air system draincocks open.

TM 9-2320-283-20.

Drums, hubs, bearings, and seals removed.

TEST EQUIPMENT

None.

TM 9-2320-283-20.

Remove brake assembly.

TM 9-2320-283-20.

Service deck removed.

TM 9-2320-283-20.

Front and rear

SPECIAL TOOLS

None.

TM 9-2320-283-20.

propeller.

Disconnect seven air

lines.

MATERIALS/PARTS (P/N)

Grease, automotive and artillery
Item 7, Appendix C.

PERSONNEL REQUIRED

Two (MDS-63W).

SPECIAL ENVIRONMENTAL CONDITIONS

Work area clean and away from blowing dirt and dust.

REFERENCE (TM)

TM 9-230-283-10

TM 9-2320-283-20.

GENERAL SAFETY INSTRUCTIONS

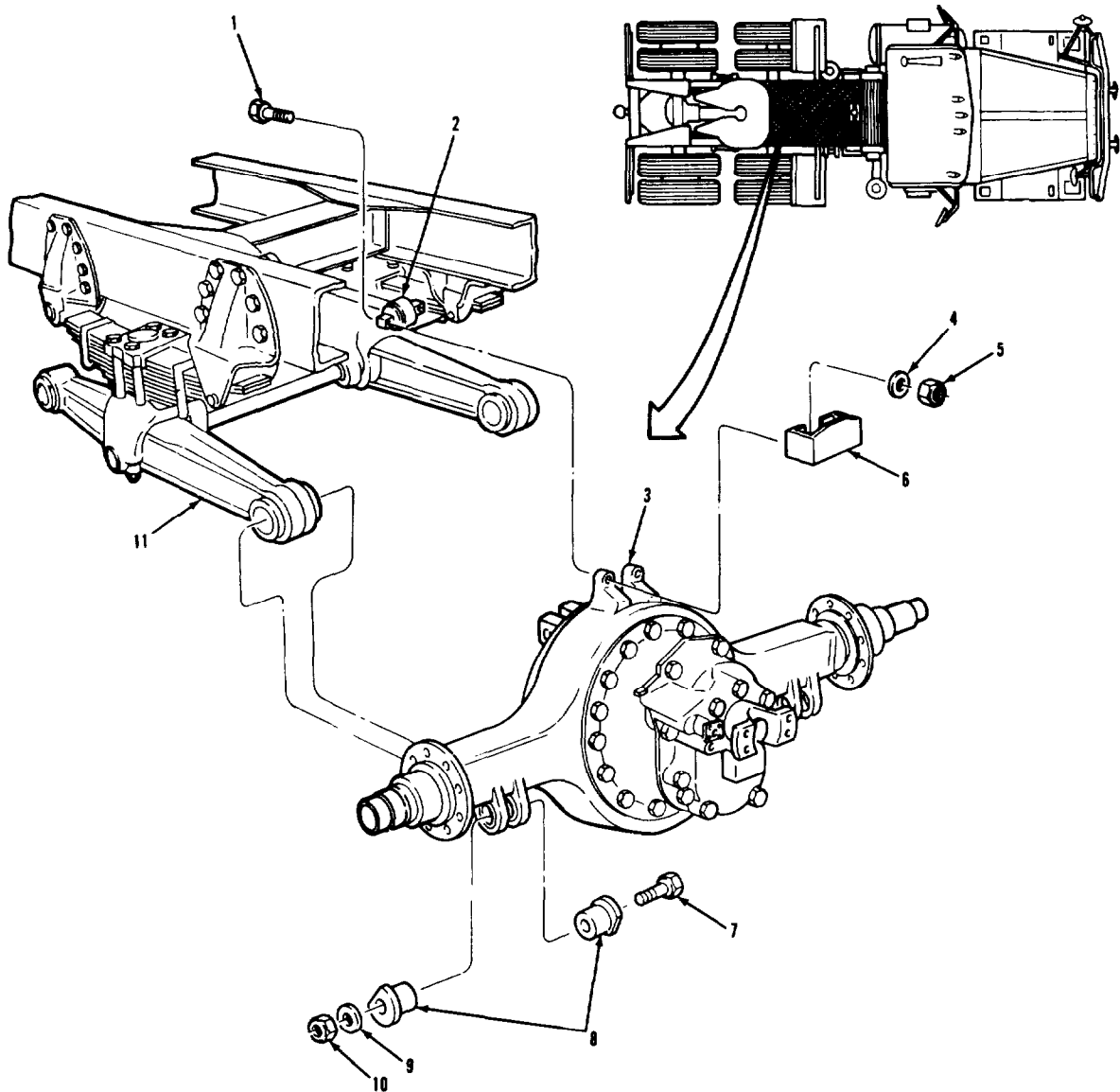
Block front wheels.

TROUBLESHOOTING REFERENCES

paragraph 2-7.

REAR TANDEM AXLES.

3-63. FORWARD-REAR AXLE REPLACEMENT (Continued).



LEGEND:

- | | |
|-------------------------------|------------------------------|
| 1. HEXAGON HEAD SCREW (2) | 7. HEXAGON HEAD SCREW (2) |
| 2. TORQUE ROD ASSEMBLY | 8. BEAM END ADAPTER (4) |
| 3. FORWARD-REAR AXLE ASSEMBLY | 9. PLAIN HARDENED WASHER (2) |
| 4. WASHER (2) | 10. HEXAGON HEAD NUT (2) |
| 5. HEXAGON FLANGE NUT (2) | 11. EQUALIZER BEAM (2) |
| 6. BRACKET | |

TA 238337

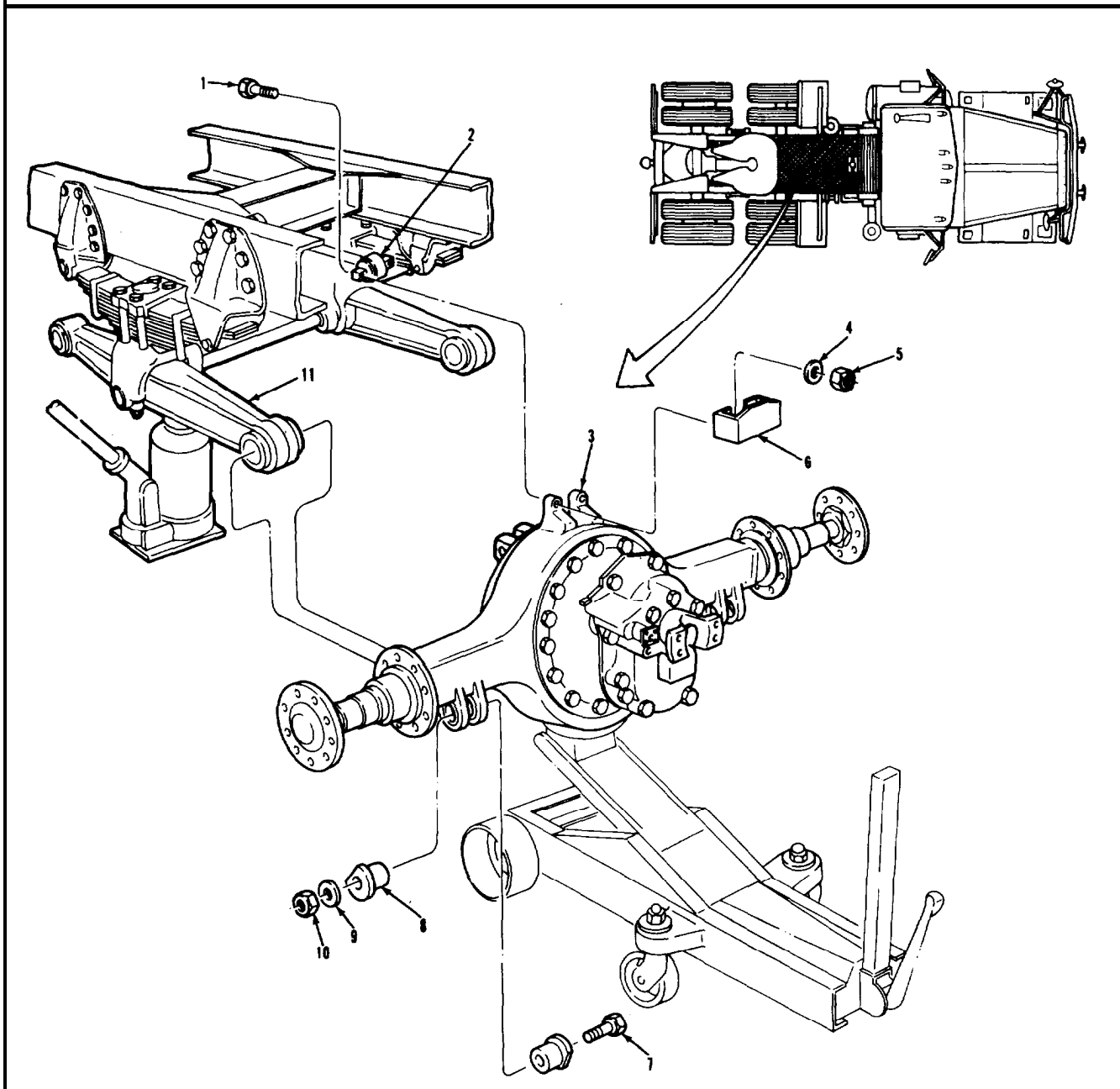
REAR TANDEM AXLES.

3-63. FORWARD-REAR AXLE REPLACEMENT (Continued).

LOCATION/ITEM	ACTION	REMARKS
A. REMOVAL.		
<u>CAUTION</u>		
<p>*Position a hydraulic jack under each equalizer beam as shown in illustration. Raise each equalizer beam high enough to remove the weight from the beam end adapters. This will prevent the equalizer beams from dropping once the hex head screws have been removed.</p>		
<p>*Using a transmission jack, position under axle housing. Wrap a chain around the differential output flange and secure chain to base plate of transmission jack. This will prevent forward rolling of the rear axle after the attaching hardware has been removed.</p>		
NOTE		
<p>Removal of forward-rear axle can be made easier if fender on side in which axle is being taken out is removed first.</p>		
<p>1. Two screws (1), washers (9), and nuts (10).</p>	<p>Remove from four items (8).</p>	
<p>2. Four adapters (8).</p>	<p>Remove from two brackets in item (3).</p>	<p>Use a flat chisel and hammer to pry out of item (3).</p>
<p>3. Two nuts (5), washers (4), screws (1), and bracket (6).</p>	<p>Remove from items (2) and (3).</p>	

REAR TANDEM AXLES.

3-63. FORWARD-REAR AXLE REPLACEMENT (Continued).



LEGEND:

- | | |
|-------------------------------|------------------------------|
| 1. HEXAGON HEAD SCREW (2) | 7. HEXAGON HEAD SCREW (2) |
| 2. TORQUE ROD ASSEMBLY | 8. BEAM END ADAPTER (4) |
| 3. FORWARD-REAR AXLE ASSEMBLY | 9. PLAIN HARDENED WASHER (2) |
| 4. WASHER (2) | 10. HEXAGON HEAD NUT (2) |
| 5. HEXAGON FLANGE NUT (2) | 11. EQUALIZER BEAM (2) |
| 6. BRACKET | |

TA 238338

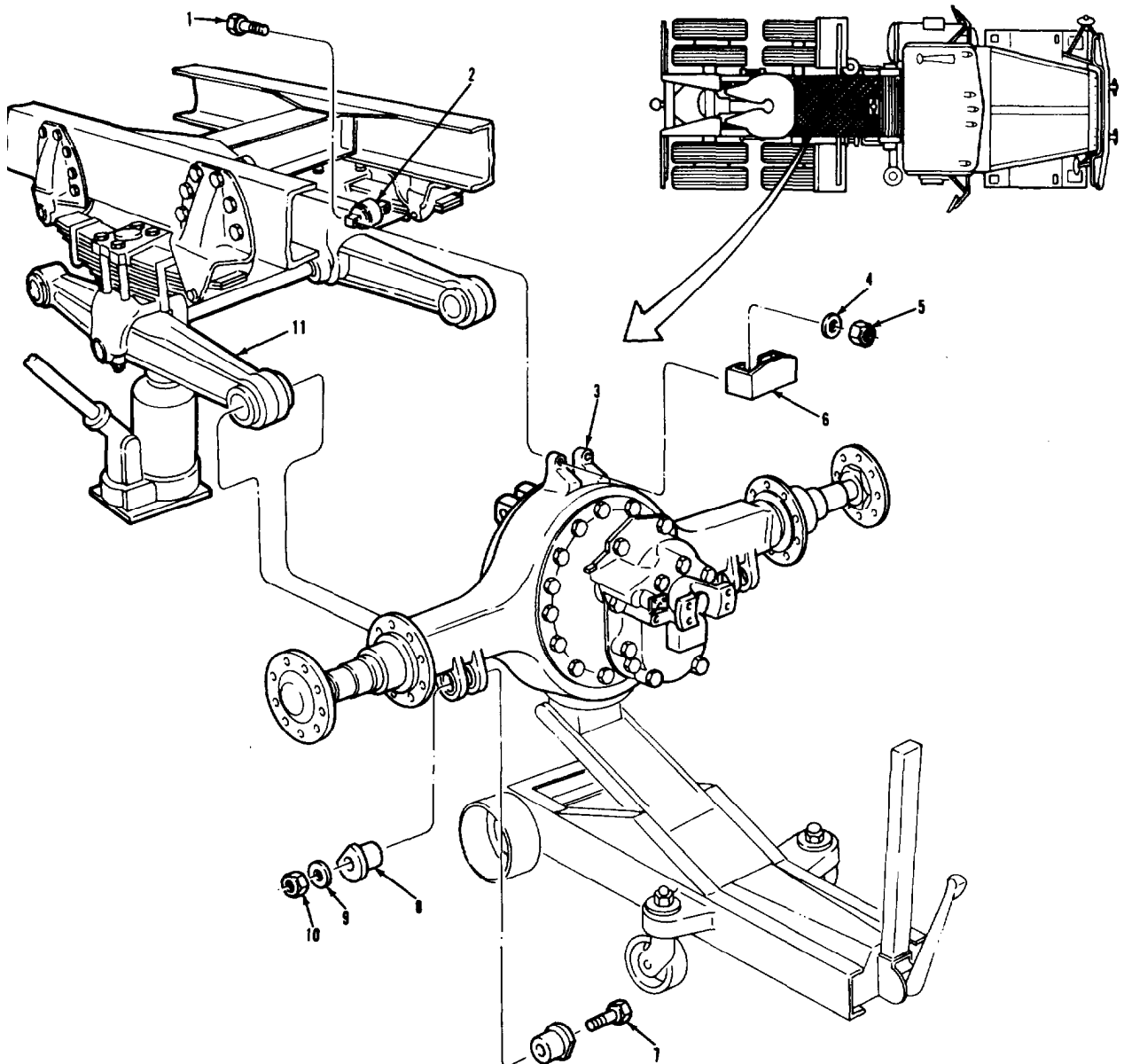
REAR TANDEM AXLES.

3-63. FORWARD-REAR AXLE REPLACEMENT (Continued).

LOCATION/ITEM	ACTION	REMARKS
A. REMOVAL (Continued).		
NOTE		
Removal of forward-rear axle will be simplified if rear-rear axle is elevated.		
4. Forward-rear axle assembly (3).	Remove from under frame.	Pull item (3) forward so it will clear item (11). One assistant may be required to help remove item (3) from under frame. When item (3) is clear of item (11), lower transmission jack.
B. CLEANING.		
5. All parts.	Clean.	
C. INSPECTION.		
6. All parts.	Inspect.	
D. INSTALLATION.		
7. Forward-rear axle assembly (3).	Carefully position and install under frame.	
NOTE		
After axle housing has been carefully positioned under frame and onto equalizer beams, it may be necessary attach a floor crane to yoke of axle housing and slowly raise front of axle housing so it rolls upward. This will help position the torque rod to the top of the axle housing support.		

REAR TANDEM AXLES.

3-63. FORWARD-REAR AXLE REPLACEMENT (Continued).



LEGEND:

- | | |
|-------------------------------|------------------------------|
| 1. HEXAGON HEAD SCREW (2) | 7. HEXAGON HEAD SCREW (2) |
| 2. TORQUE ROD ASSEMBLY | 8. BEAM END ADAPTER (4) |
| 3. FORWARD-REAR AXLE ASSEMBLY | 9. PLAIN HARDENED WASHER (2) |
| 4. WASHER (2) | 10. HEXAGON HEAD NUT (2) |
| 5. HEXAGON FLANGE NUT (2) | 11. EQUALIZER BEAM (2) |
| 6. BRACKET | |

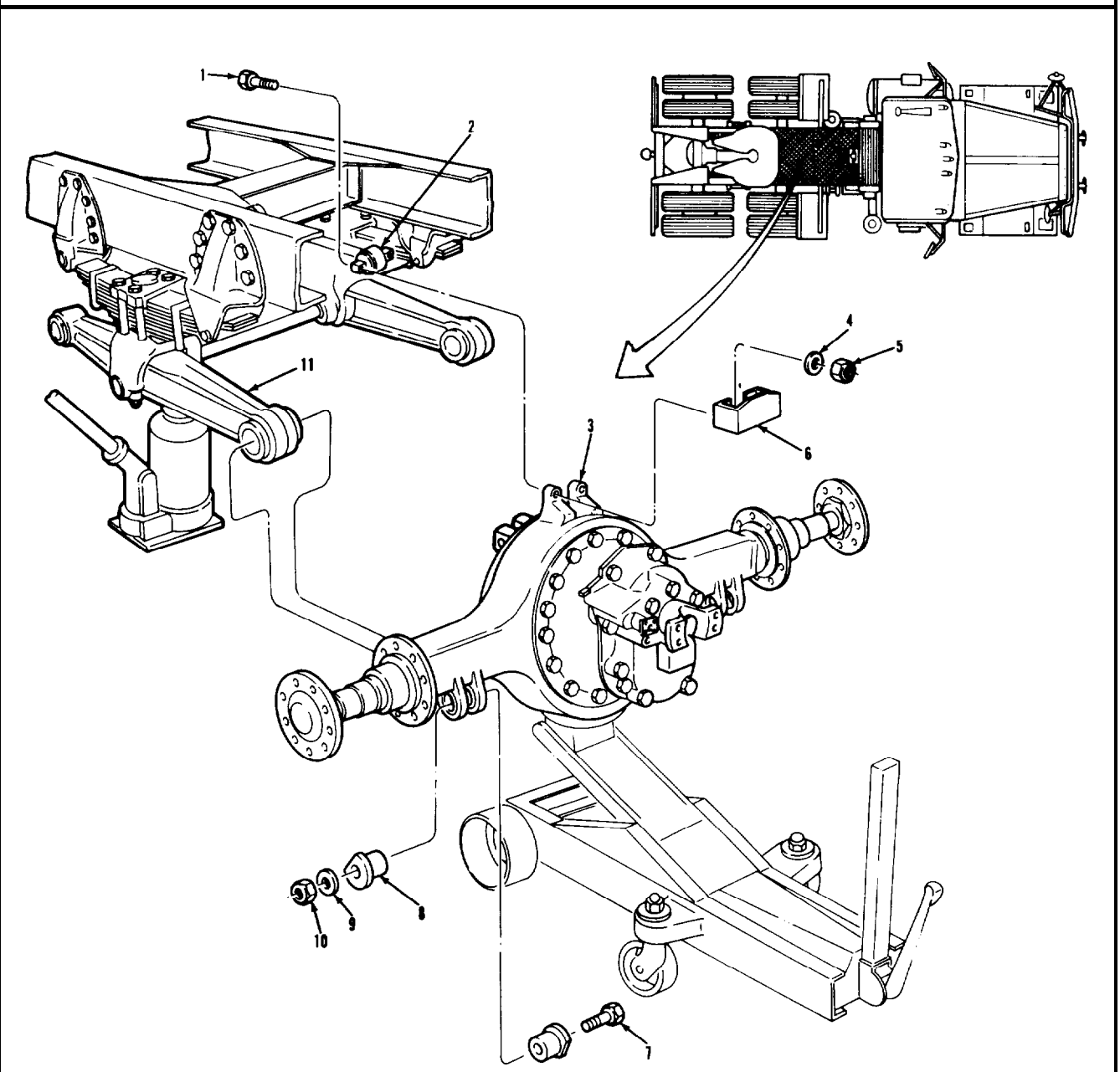
TA 238339

REAR TANDEM AXLES.

3-63. FORWARD-REAR AXLE REPLACEMENT (Continued).		
LOCATION/ITEM	ACTION	REMARKS
D. INSTALLATION (Continued).		
8. Torque rod assembly (2) and bracket (6).	Position onto top of item (3).	Use a drift punch to properly align the holes. Leave the drift punch in one of the holes.
9. Bracket (6), two screws (1), washers (4), and nuts (5).	Install into items (2) and (3). Torque two items (5) to 105 lb-ft.	
10. Four adapters (8).	Insert in lower support bracket of item (3)	Be sure flat side of item (8) is installed in the vertical position. Prelube the outside diameter of the item (8) with grease for ease of insertion.
11. Two screws (7), washers (9), and nuts (10).	Install in four items (8) and torque to 210-240 lb-ft.	
NOTE		
Follow-on maintenance action required:		
Connect seven air lines (TM 9-2320-283-20). Connect front and rear propeller shafts (TM 9-2320-283-20). Install service deck (TM 9-2320-283-20). Install brake assembly (TM 9-2320-283-20). Install drums, hubs, bearings and seals (TM 9-2320-283-20).		

REAR TANDEM AXLES.

3-63. FORWARD-REAR AXLE REPLACEMENT (Continued).



LEGEND:

- | | |
|-------------------------------|------------------------------|
| 1. HEXAGON HEAD SCREW (2) | 7. HEXAGON HEAD SCREW (2) |
| 2. TORQUE ROD ASSEMBLY | 8. BEAM END ADAPTER (4) |
| 3. FORWARD-REAR AXLE ASSEMBLY | 9. PLAIN HARDENED WASHER (2) |
| 4. WASHER (2) | 10. HEXAGON HEAD NUT (2) |
| 5. HEXAGON FLANGE NUT (2) | 11. EQUALIZER BEAM (2) |
| 6. BRACKET | |

TA 238340

REAR TANDEM AXLES.

3-64. FORWARD-REAR AXLE HOUSING AND COVER REPAIR.

THIS TASK COVERS

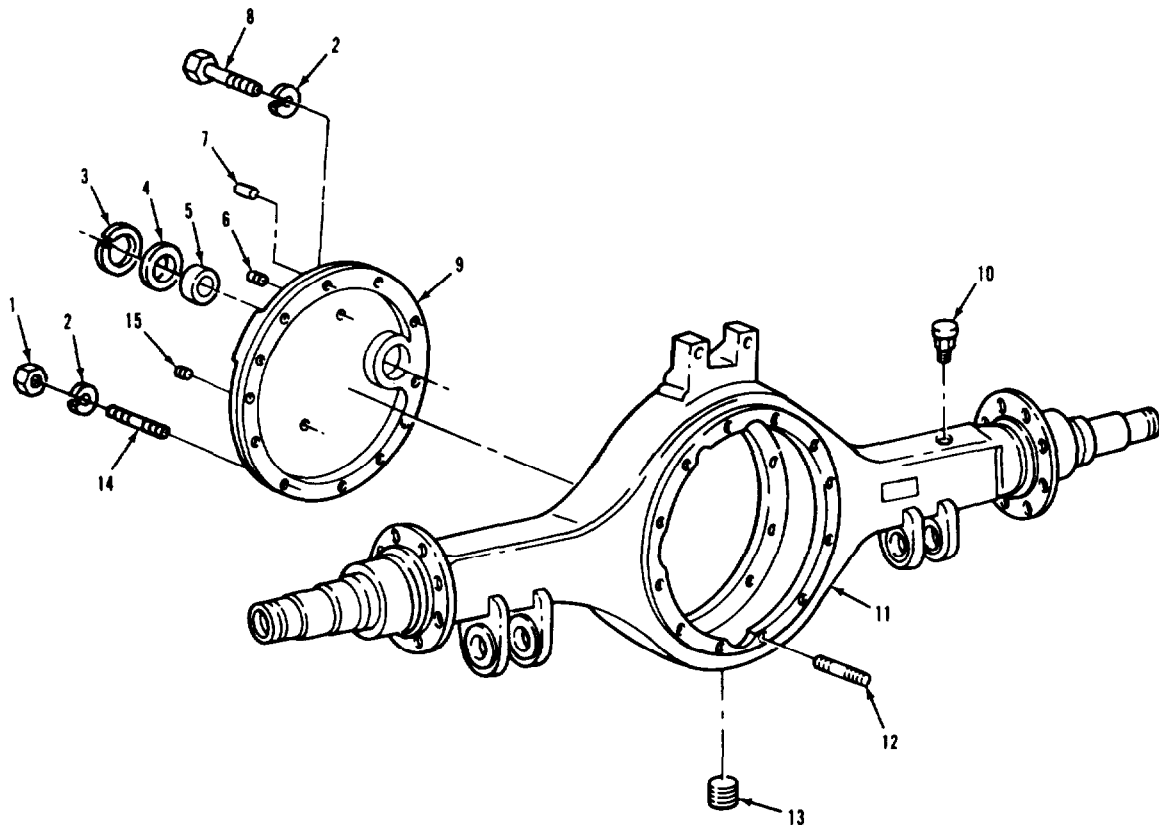
- a. Disassembly.
- b. Cleaning.
- c. Inspection.
- d. Assembly.

INITIAL SETUP

<u>APPLICABLE CONFIGURATIONS</u>	<u>EQUIPMENT CONDITION PARAGRAPH</u>	<u>CONDITION DESCRIPTION</u>
ALL.	3-63.	Forward-rear axle housing removed from truck.
<u>TEST EQUIPMENT</u> None.	3-69.	Forward-rear carrier and carrier cover removed from housing.
<u>SPECIAL TOOLS</u> None.		
<u>MATERIALS/PARTS (P/N)</u> Sealant, silicone rubber Item 27, Appendix B.		
<u>PERSONNEL REQUIRED</u> One (MOS-63W).	<u>SPECIAL ENVIRONMENTAL CONDITIONS</u> Work area clean and away from blowing dirt and dust.	
<u>REFERENCE (TM)</u>	<u>GENERAL SAFETY INSTRUCTIONS</u> Wear face shield when removing spring.	
<u>TROUBLESHOOTING REFERENCES</u> paragraph 2-7.		

REAR TANDEM AXLES.

3-64. FORWARD-REAR AXLE HOUSING AND COVER REPAIR (Continued).



LEGEND:

- | | |
|-------------------------|-------------------------------|
| 1. HEX HEAD NUT (11) | 9. AXLE HOUSING COVER |
| 2. LOCKWASHER (12) | 10. BREATHER VENT |
| 3. SNAPRING | 11. FORWARD-REAR AXLE HOUSING |
| 4. OUTPUT SHAFT BEARING | 12. STUD (11) |
| 5. OUTPUT SHAFT BUSHING | 13. HOUSING DRAINPLUG |
| 6. MAGNETIC FILLER PLUG | 14. STUD (11) |
| 7. DOWEL PIN (2) | 15. HOLE PLUG |
| 8. SCREW | |

TA 238341

REAR TANDEM AXLES.

3-64. FORWARD-REAR AXLE HOUSING AND COVER REPAIR (Continued).

LOCATION/ITEM	ACTION	REMARKS
---------------	--------	---------

A. DISASSEMBLY.

WARNING

Snapping is spring steel and may pop off when removing. Wear a face shield when removing to prevent personal injury.

- 1. Snapping (3). Remove from item (9).

NOTE

Output shaft bearing and bushing can be replaced with axle housing cover removed or installed.

- 2. Bearing (4) and bushing (5). Remove from item (9). Items (4) and (5) are ordered as a set and are replaced as a set.

- 3. Plug (6), plug (15), drainplug (13), and vent (10). Remove from items (9) and (11) 1

- 4. Eleven nuts (1) and lockwashers (2). Remove from items (14).

- 5. Screw (8) and lockwasher (2). Remove from item (9).

- 6. Cover (9). Remove from item (11).

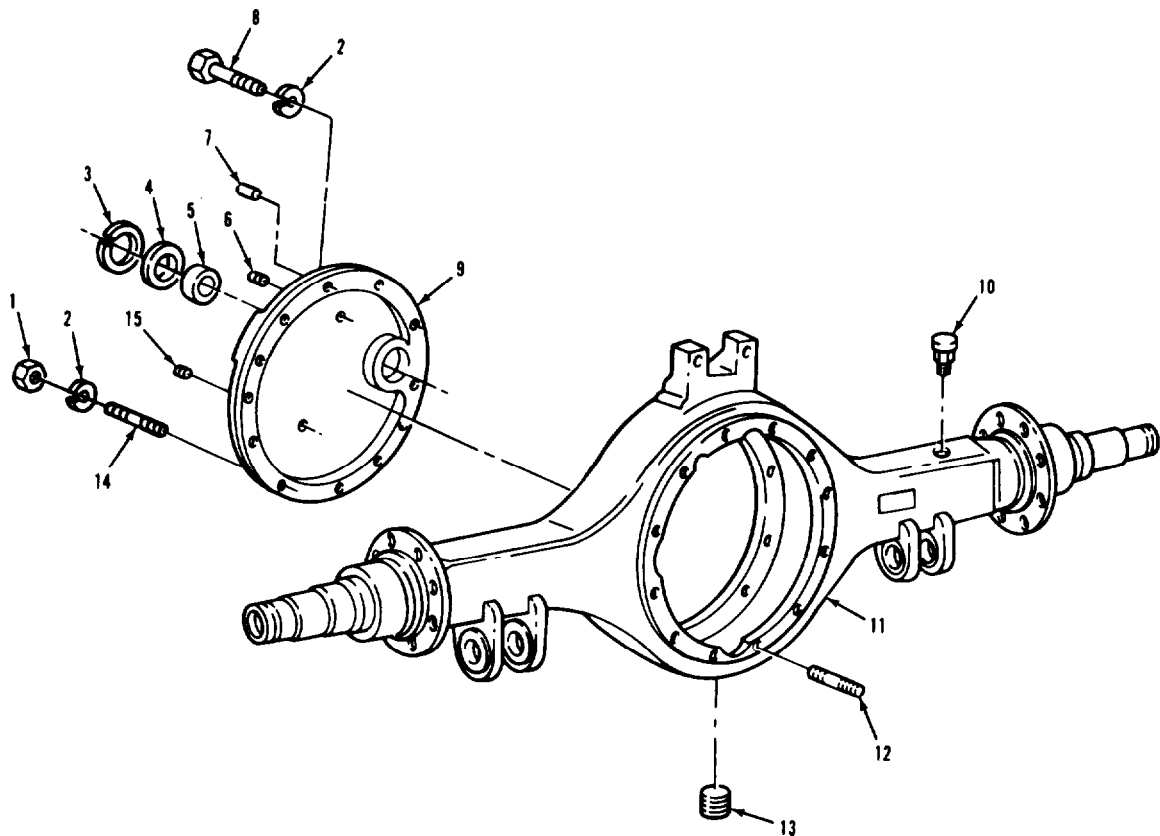
NOTE

Do not remove dowel pins unless damaged or loose. If necessary to remove proceed with step 7.

- 7. Two pins (7). Remove from item (11). Use vise grips to remove.

REAR TANDEM AXLES.

3-64. FORWARD-REAR AXLE HOUSING AND COVER REPAIR (Continued).



LEGEND:

- | | |
|-------------------------|-------------------------------|
| 1. HEX HEAD NUT (11) | 9. AXLE HOUSING COVER |
| 2. LOCKWASHER (12) | 10. BREATHER VENT |
| 3. SNAPRING | 11. FORWARD-REAR AXLE HOUSING |
| 4. OUTPUT SHAFT BEARING | 12. STUD (11) |
| 5. OUTPUT SHAFT BUSHING | 13. HOUSING DRAINPLUG |
| 6. MAGNETIC FILLER PLUG | 14. STUD (11) |
| 7. DOWEL PIN (2) | 15. HOLE PLUG |
| 8. SCREW | |

TA 238342

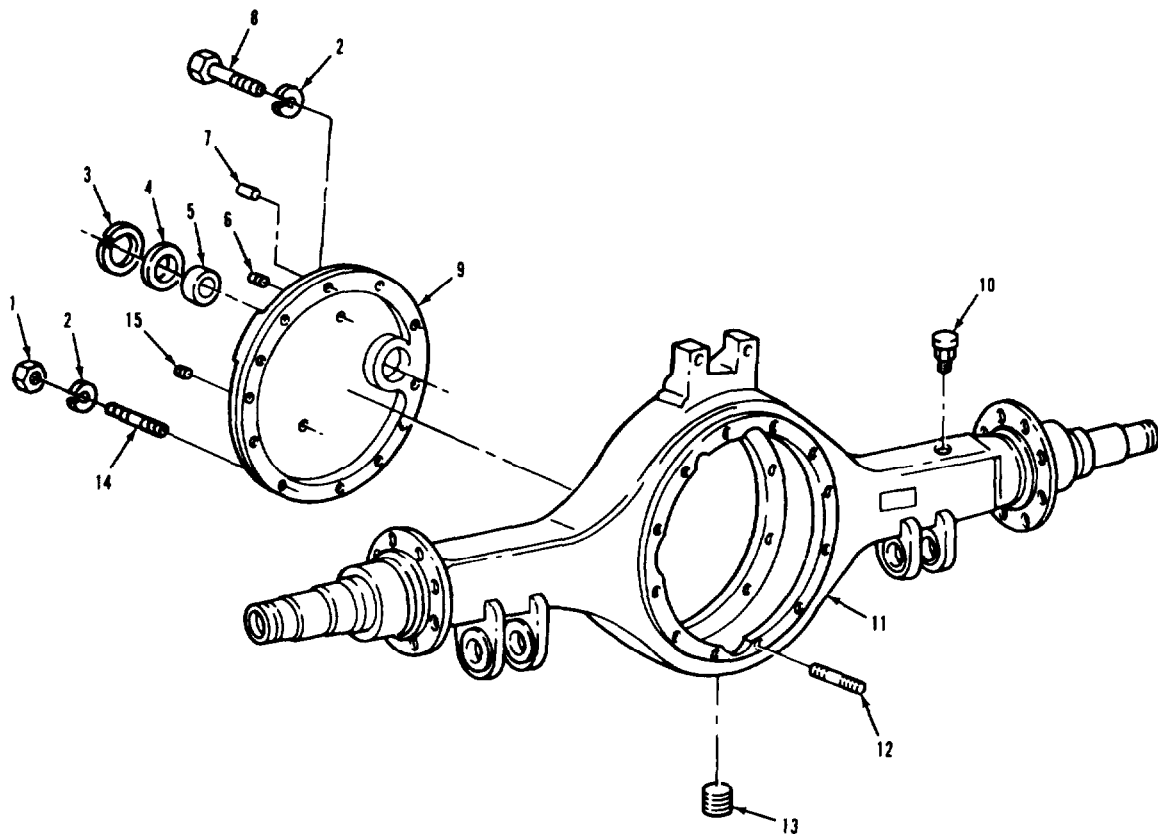
REAR TANDEM AXLES.

3-64. FORWARD-REAR AXLE HOUSING AND COVER REPAIR (Continued).

LOCATION/ITEM	ACTION	REMARKS
A. DISASSEMBLY (Continued).		
NOTE		
Do not remove any of the eleven studs unless damaged or worn. Remove only what is necessary. If necessary to remove, proceed with step 8.		
8. Eleven studs (12) or (14)	Remove from item (11) or (9) as necessary.	Discard damaged or worn parts.
B. CLEANING.		
9. All parts.	Clean.	Refer to paragraph 3-4.
C. INSPECTION		
10. All parts.	Inspect.	Refer to paragraph 3-5.
D. ASSEMBLY		
<u>CAUTION</u>		
Although the forward-rear axle housing has been cleaned according to para 3-4, recheck for any moisture or dirt that may have collected in the housing.		
11. Two new pins (7).	Install in item (11).	
12. Housing (11).	Apply silicone to back side of mating surface.	Silicone will set in twenty minutes. Install cover before compound dries. Use double nut method for stud installation.

REAR TANDEM AXLES.

3-64. FORWARD-REAR AXLE HOUSING AND COVER REPAIR (Continued).



LEGEND:

- | | |
|-------------------------|-------------------------------|
| 1. HEX HEAD NUT (11) | 9. AXLE HOUSING COVER |
| 2. LOCKWASHER (12) | 10. BREATHER VENT |
| 3. SNAPRING | 11. FORWARD-REAR AXLE HOUSING |
| 4. OUTPUT SHAFT BEARING | 12. STUD (11) |
| 5. OUTPUT SHAFT BUSHING | 13. HOUSING DRAINPLUG |
| 6. MAGNETIC FILLER PLUG | 14. STUD (11) |
| 7. DOWEL PIN (2) | 15. HOLE PLUG |
| 8. SCREW | |

TA 238343

REAR TANDEM AXLES.

3-64. FORWARD-REAR AXLE HOUSING AND COVER REPAIR (Continued).

LOCATION/ITEM	ACTION	REMARKS
---------------	--------	---------

D. ASSEMBLY (Continued).

13. Cover (9).	Install on item (11).	
14. Eleven lockwashers (2) and nuts (1).	Install onto item (14) and torque item (1) to 70-86 lb-ft.	
15. Screw (8) and lockwasher (2).	Install in item (9) and torque to 45-56 lb-ft.	
16. New bearing (4).	Install in item (9) using a brass drift punch and ball peen hammer.	Make certain item (4) bottoms in item (9).
17. Snapping (3).	Install in item (9).	
18. New bushing (5).	Install in item (4).	Item (5) may fall out of item (4) since the output shaft is removed. Secure temporarily.
19. Vent (10), drain-plug (13), and Plug (15).	a. Coat threads with pipe sealant.	
	b. Install in items (9) and (11).	
20. Eleven studs (12) or (14).	Install in item (11) or (9) if removed.	Use double nut method for installation.
21. Plug (6).	Install, but do not tighten in item (9).	Item (6) will have to be removed to fill item (11) with gear oil.

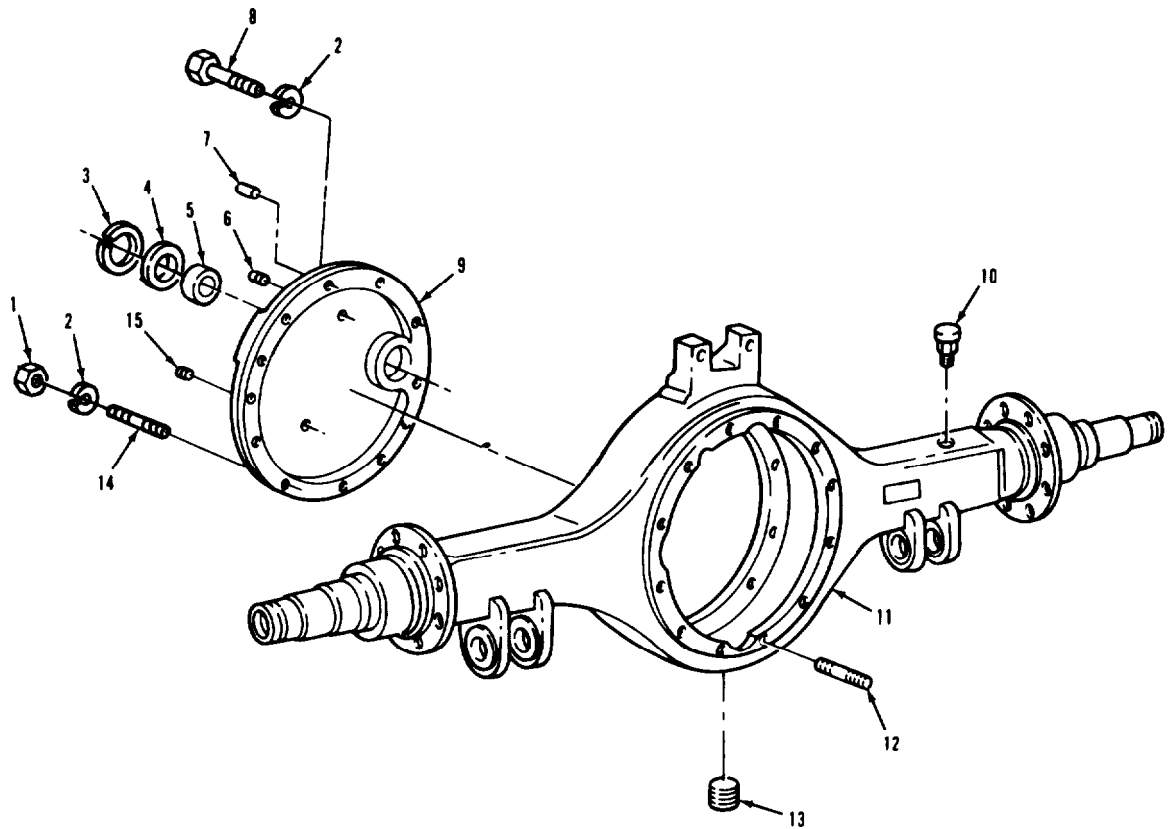
NOTE

Follow-on maintenance action required:

Install forward-rear carrier and carrier cover (para 3-69).
 Install forward-rear axle in truck (para .3-63).

REAR TANDEM AXLES.

3-64. FORWARD-REAR AXLE HOUSING AND COVER REPAIR (Continued).



LEGEND:

- | | |
|-------------------------|-------------------------------|
| 1. HEX HEAD NUT (11) | 9. AXLE HOUSING COVER |
| 2. LOCKWASHER (12) | 10. BREATHER VENT |
| 3. SNAPRING | 11. FORWARD-REAR AXLE HOUSING |
| 4. OUTPUT SHAFT BEARING | 12. STUD (11) |
| 5. OUTPUT SHAFT BUSHING | 13. HOUSING DRAINPLUG |
| 6. MAGNETIC FILLER PLUG | 14. STUD (11) |
| 7. DOWEL PIN (2) | 15. HOLE PLUG |
| 8. SCREW | |

TA 238344

REAR TANDEM AXLES.

3-65. FORWARD-REAR AXLE YOKE AND OIL SEAL REPLACEMENT.

THIS TASK COVERS

- a. Removal.
- b. Cleaning.
- c. Inspection.
- d. Installation.

INITIAL SETUP

<u>APPLICABLE CONFIGURATIONS</u> ALL.	<u>EQUIPMENT CONDITION</u> PARAGRAPH TM 9-2320-283-20.	<u>CONDITION DESCRIPTION</u> Drive shaft disconnected.
--	--	---

TEST EQUIPMENT
None.

SPECIAL TOOLS
Flange tool
(33287) J3453.

MATERIALS/PARTS (P/N)
Oil lubricating; engine, OE/HDO-10
Item 16, Appendix C.
Seal, oil
(52304) 64656.

PERSONNEL REQUIRED
One (MOS-63W).

SPECIAL ENVIRONMENTAL CONDITIONS
Work area clean and away from blowing dirt and dust.

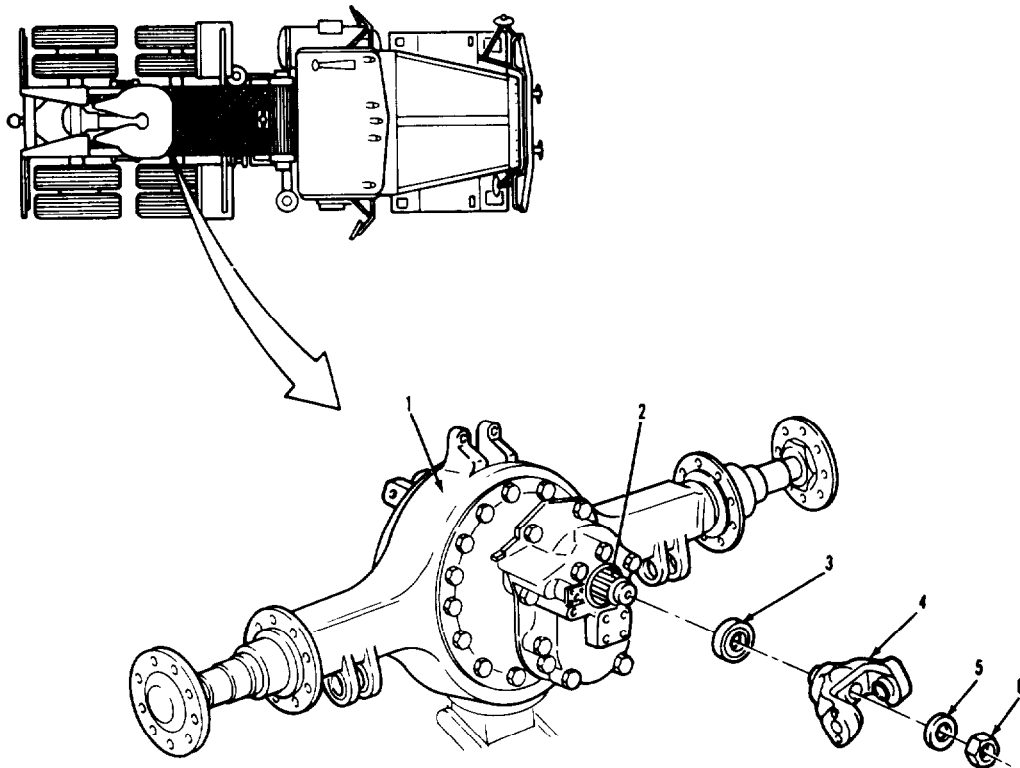
REFERENCE (TM)
TM 9-2320-283-20.
TM 9-2320-283-34P.

GENERAL SAFETY INSTRUCTIONS
Block front and rear tires.

TROUBLESHOOTING REFERENCES
Paragraph 2-7.

REAR TANDEM AXLES.

3-65. FORWARD-REAR AXLE YOKE AND OIL SEAL REPLACEMENT (Continued).



LEGEND:

- 1. FORWARD-REAR AXLE ASSEMBLY
- 2. INPUT SHAFT
- 3. OIL SEAL
- 4. YOKE AND MUDSLINGER ASSEMBLY
- 5. WASHER
- 6. INPUT SHAFT NUT

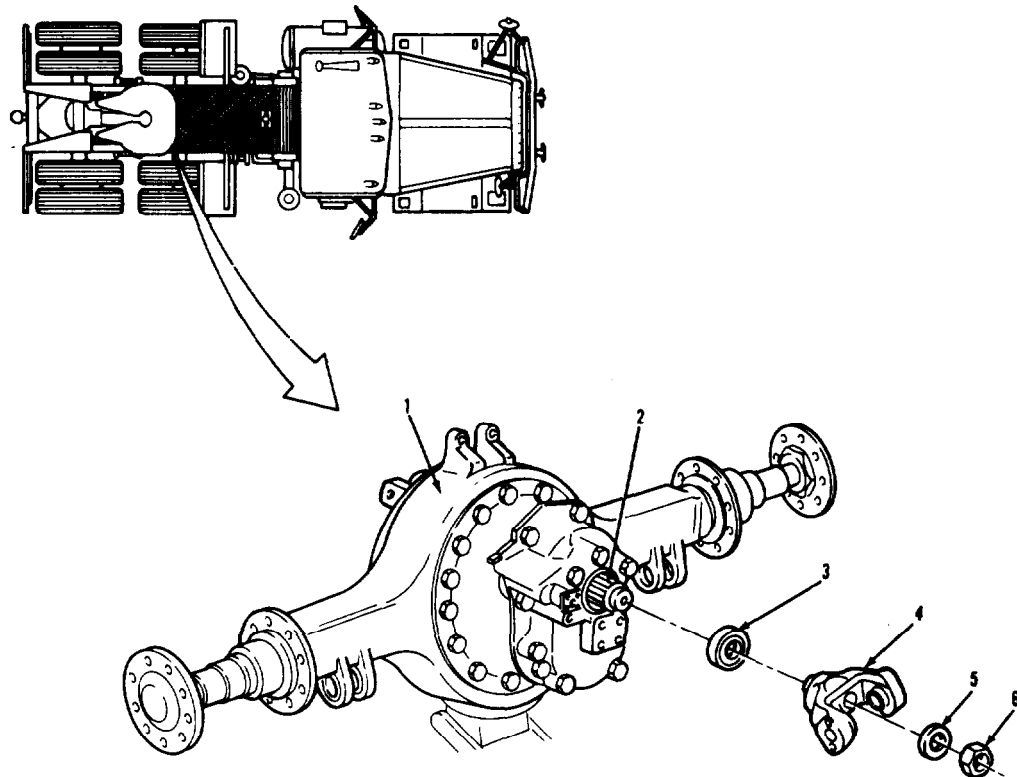
TA 238345

REAR TANDEM AXLES.

3-65. FORWARD-REAR AXLE YOKE AND OIL SEAL REPLACEMENT (Continued).		
LOCATION/ITEM	ACTION	REMARKS
A. REMOVAL.		
1. Nut (6).	Remove from item (2).	Use tool No. J-3453 to prevent item (4) from turning.
2. Washer (5) and yoke and mudslinger assembly (4).	Remove from item (2).	It may be necessary to tap item (4) with a soft face hammer for it to slide off of item (2).
3. Seal (3).	Remove from item (1).	Use a punch and a hammer to remove item (3). Discard item (3).
B. CLEANING.		
4. All parts.	Clean.	Refer to paragraph 3-4.
C. INSPECTION		
5. All parts.	Inspect.	Refer to paragraph 3-5.
D. INSTALLATION.		
6. New seal (3).	Install into item (1).	Coat outside diameter of item (3) with OE/HDO-10 lubricating oil for ease of installation. Use a suitable oil seal tool for installation.
7. Yoke and mudslinger assembly (4), washer (5), and nut (6).	Install onto item (2). Torque item (6) to 780-960 lb-ft.	Use tool No. J-3453 to prevent item (4) from turning.
NOTE		
Follow-on maintenance action required:		
Install drive shaft (TM 9-2320-283-20).		

REAR TANDEM AXLES.

3-65. FORWARD-REAR AXLE YOKE AND OIL SEAL REPLACEMENT (Continued).



LEGEND:

1. FORWARD-REAR AXLE ASSEMBLY
2. INPUT SHAFT
3. OIL SEAL
4. YOKE AND MUDSLINGER ASSEMBLY
5. WASHER
6. INPUT SHAFT NUT

TA 238346

REAR TANDEM AXLES.

3-66. FORWARD-REAR AXLE FLANGE AND OIL SEAL REPLACEMENT.

THIS TASK COVERS

- a. Removal.
- b. Cleaning.
- c. Inspection.
- d. Installation.

INITIAL SETUP

APPLICABLE CONFIGURATIONS

ALL.

EQUIPMENT CONDITION
PARAGRAPH

TM 9-2320-283-20.

CONDITION DESCRIPTION

Drive shaft disconnected.

TEST EQUIPMENT

None.

SPECIAL TOOLS

Flange tool
(33284) J3453.

MATERIALS/PARTS (P/N)

Oil lubricating, engine, OE/HDO-10
Item 16, Appendix B.
Seal, oil
(52304) 63910.

PERSONNEL REQUIRED

One (MOS-63W).

SPECIAL ENVIRONMENTAL CONDITIONS

Work area clean and away from blowing dirt and dust.

REFERENCES (TM)

M 9-2320-283-20.
TM 9-2320-283-34P.

GENERAL SAFETY INSTRUCTIONS

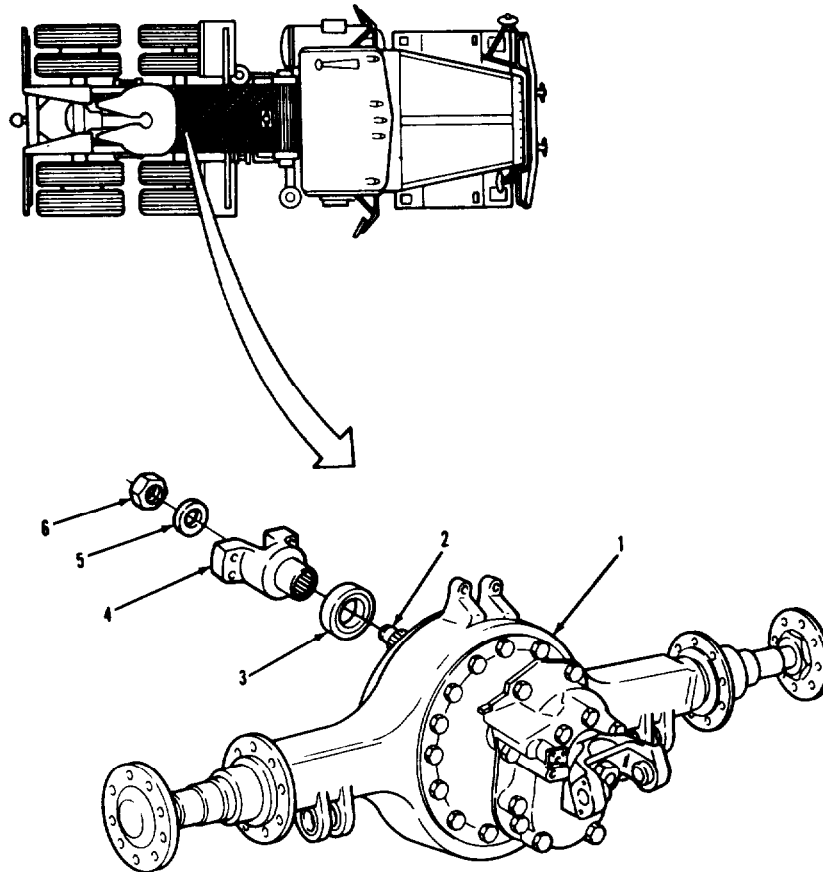
Block front and rear tires.

TROUBLESHOOTING REFERENCES

Paragraph 2-7.

REAR TANDEM AXLES.

3-66. FORWARD-REAR AXLE FLANGE AND OIL SEAL REPLACEMENT (Continued).



LEGEND:

1. FORWARD-REAR AXLE HOUSING ASSEMBLY
2. OUTPUT SHAFT ASSEMBLY
3. OIL SEAL
4. OUTPUT SHAFT FLANGE
5. FLAT WASHER
6. OUTPUT SHAFT NUT

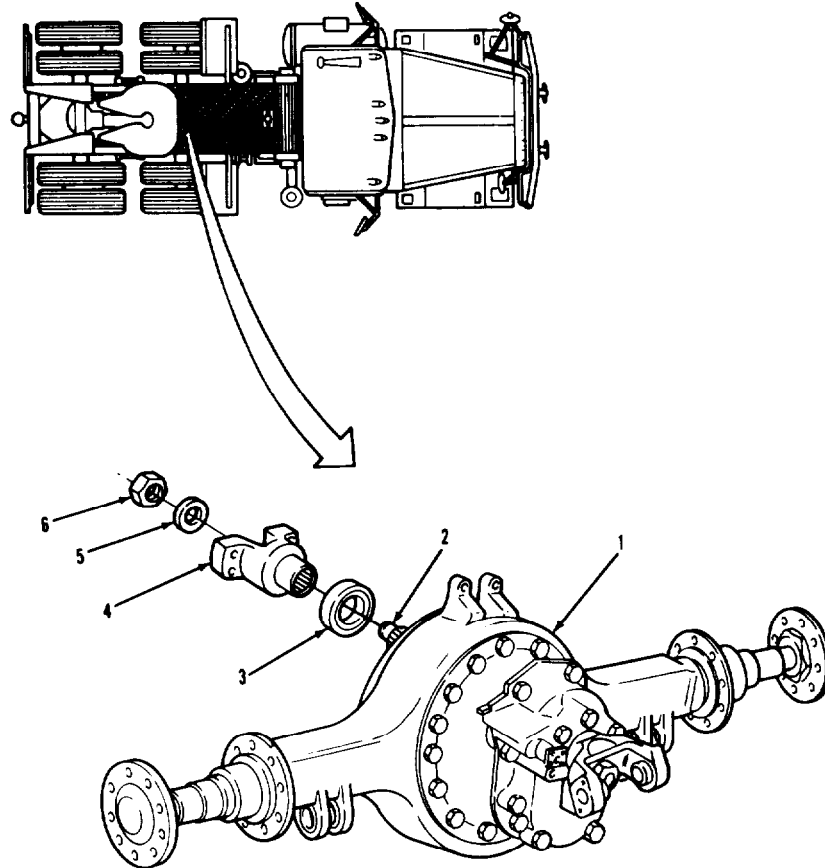
TA 238347

REAR TANDEM AXLES.

3-66. FORWARD-REAR AXLE FLANGE AND OIL SEAL REPLACEMENT (Continued).		
LOCATION/ITEM	ACTION	REMARKS
A. REMOVAL.		
1. Nut (6).	Remove from item (2).	Use tool No. J-3453 to prevent item (4) from turning.
2. Washer (5) and flange (4).	Remove from item (2).	It may be necessary to tap item (4) with a soft face hammer for it to slide off of item (2).
3. Seal (3).	Remove from rear cover of item (1).	Use a slide hammer and puller to remove item (3). Discard item (3).
B. CLEANING.		
4. All parts.	Clean.	Refer to paragraph 3-4.
C. INSPECTION		
5. All parts.	Inspect.	Refer to paragraph 3-5.
D. INSTALLATION		
6. New seal (3).	Install into rear cover of item (1).	Use a suitable oil seal installation tool.
7. Flange (4).	Install onto item (2).	Coat splines of item (2) with OE-HD0-10 lubricating oil for ease of installation.
8. Washer (5) and nut (6).	Install onto item (2) and torque item (6) to 480-600 lb-ft.	Use tool No. J-3453 to prevent item (4) from turning.
NOTE		
Follow-on maintenance action required:		
Install drive shaft (TM 9-2320-283-20).		

REAR TANDEM AXLES.

3-66. FORWARD-REAR AXLE FLANGE AND OIL SEAL REPLACEMENT (Continued).



LEGEND:

1. FORWARD-REAR AXLE HOUSING ASSEMBLY
2. OUTPUT SHAFT ASSEMBLY
3. OIL SEAL
4. OUTPUT SHAFT FLANGE
5. FLAT WASHER
6. OUTPUT SHAFT NUT

TA 238348

REAR TANDEM AXLES.

3-67. DIFFERENTIAL CARRIER COVER REPLACEMENT.

THIS TASK COVERS

- a. Removal.
- b. Inspection.
- c. Checking End Play.

INITIAL SETUP

<u>APPLICABLE CONFIGURATIONS</u>	<u>EQUIPMENT CONDITION PARAGRAPH</u>	<u>CONDITION DESCRIPTION</u>
ALL.	TM 9-2320 -283-20.	Front and rear drive shafts disconnected.
	LO 9-2320-283-12.	Gear oil drained.
<u>TEST EQUIPMENT</u>	TM 9-2320-283-10.	Forward-rear axle tires removed (one-side only).
	3-66.	Forward-rear axle flange removed.
<u>SPECIAL TOOLS</u>		Differential lockout removed.
Flange tool (33287) J3453.	3-71.	

MATERIALS/PARTS (P/N)
 Oil lubricating engine, OE/HDO-10
 Item 16, Appendix B.
 Sealant, silicone rubber
 Item 27, Appendix B.
 Seal, oil
 (52304) 63910.

PERSONNEL REQUIRED
 Two (MOS-63W).

SPECIAL ENVIRONMENTAL CONDITIONS
 Work area clean and away from blowing dirt and dust.

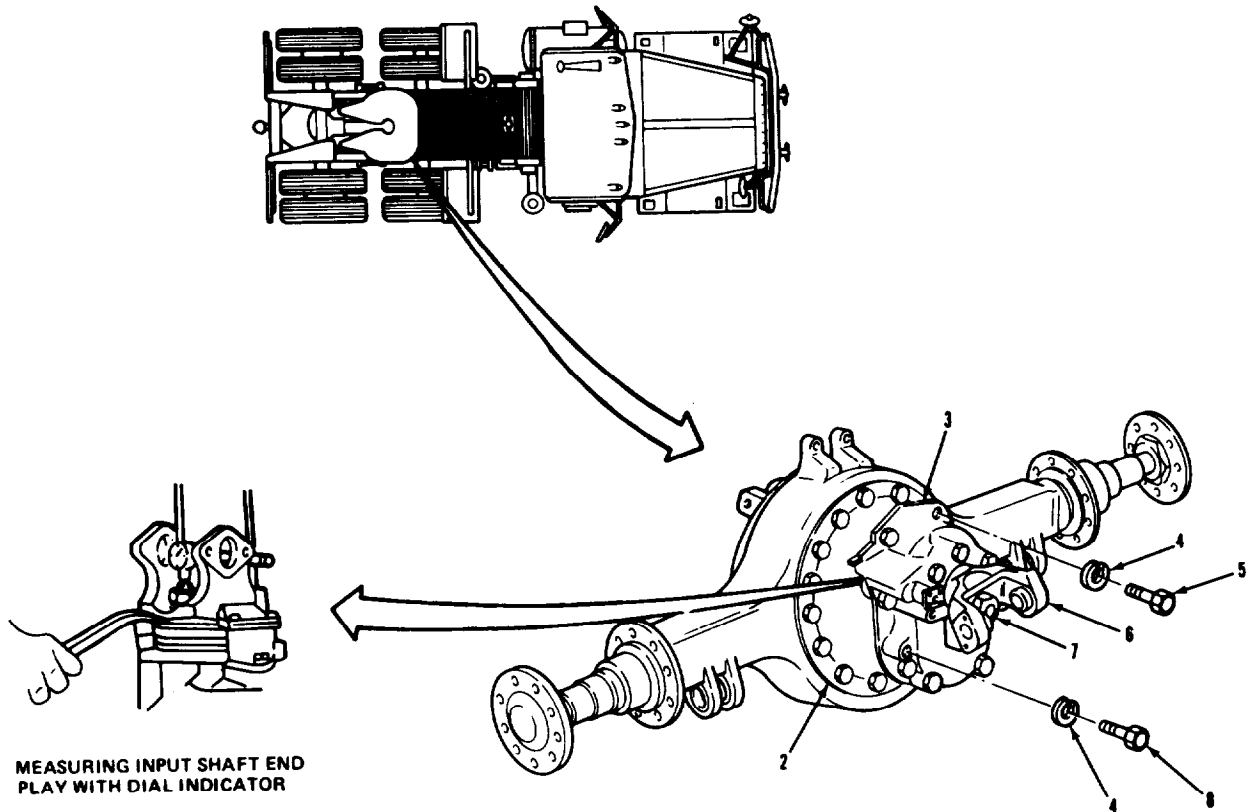
REFERENCE (TM)
 TM 9-2320-283-10.
 TM 9-2320-283-20.
 TM 9-230-283-34P.
 LO 9-2320-283-12.

GENERAL SAFETY INSTRUCTIONS
 Front and rear wheels blocked.

TROUBLESHOOTING REFERENCES
 paragraph 2-7.

REAR TANDEM AXLES.

3-67. DIFFERENTIAL CARRIER COVER REPLACEMENT (Continued).



LEGEND:

1. INTERAXLE DIFFERENTIAL ASSEMBLY
2. DIFFERENTIAL CARRIER AND BEARING CAP ASSEMBLY
3. DIFFERENTIAL CARRIER COVER ASSEMBLY
4. LOCKWASHER (8)
5. HEX HEAD SCREW 1-3/4" (5)
6. YOKE
7. INPUT SHAFT ASSEMBLY
8. HEX HEAD SCREW 2-1/2" (4)

TA 238349

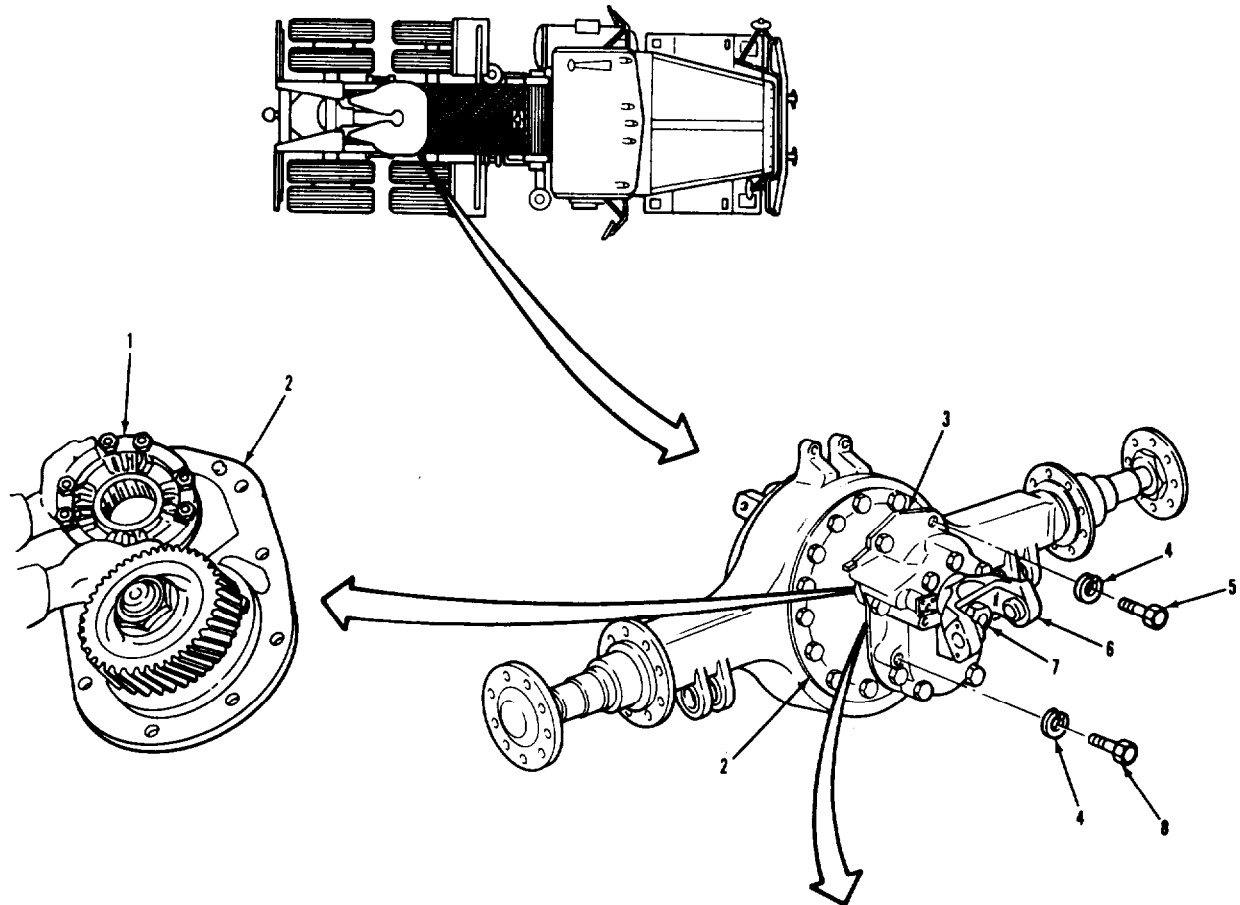
REAR TANDEM AXLES.

3-67. DIFFERENTIAL CARRIER COVER REPLACEMENT (Continued).

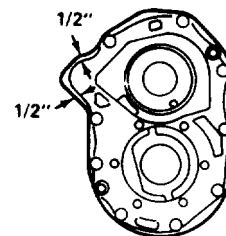
LOCATION/ITEM	ACTION	REMARKS
A. REMOVAL.		
<u>CAUTION</u>		
Position a suitable jack under differential carrier cover assembly before attempting to remove hex head bolts.		
1. Five short screws (5), four long screws (8), and eight lockwashers (4).	Remove from item (3).	
<u>WARNING</u>		
During removal and installation of differential carrier, cover assembly and the interaxle differential may fall from carrier. Use extreme care when removing to prevent damage or personal injury.		
2. Differential carrier cover assembly (3).	Remove from item (2).	Tap back face of item (1) to dislodge item (2). If item (3) does not dislodge easily, strike the side of item (3) near the dowel pin locations.
B. INSTALLATION.		
3. Interaxle differential assembly (1).	Install in item (2).	
4. Differential carrier cover assembly (3).	a. Apply silicone sealant on mating surface as shown.	Sealant will set in twenty minutes.

REAR TANDEM AXLES.

3-67. DIFFERENTIAL CARRIER COVER REPLACEMENT (Continued).



GASKET COMPOUND PATTERN



LEGEND:

1. INTERAXLE DIFFERENTIAL ASSEMBLY
2. DIFFERENTIAL CARRIER AND BEARING CAP ASSEMBLY
3. DIFFERENTIAL CARRIER COVER ASSEMBLY
4. LOCKWASHER (8)
5. HEX HEAD SCREW 1-3/4" (5)
6. YOKE
7. INPUT SHAFT ASSEMBLY
8. HEX HEAD SCREW 2-1/2" (4)

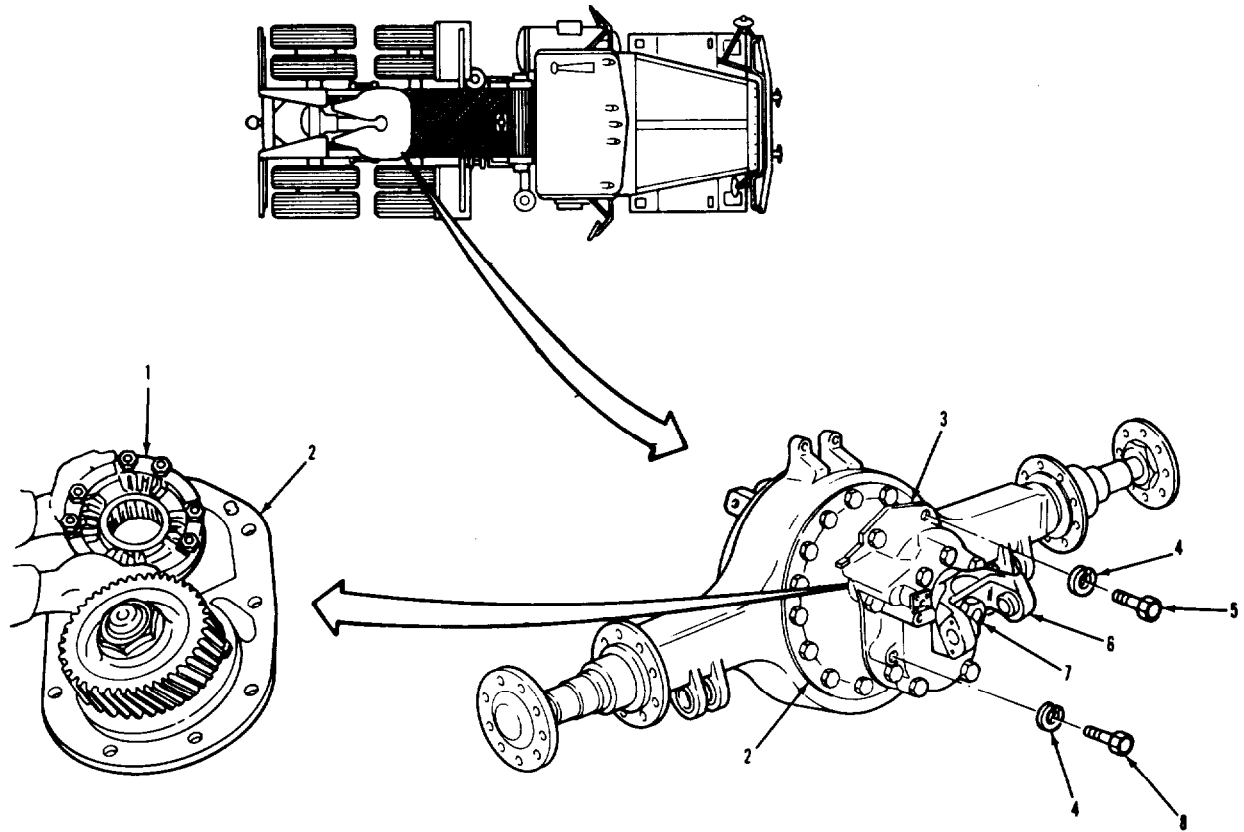
TA 238350

REAR TANDEM AXLES.

3-67. DIFFERENTIAL CARRIER COVER REPLACEMENT (Continued).		
LOCATION/ITEM	ACTION	REMARKS
B . INSTALLATION (CONTINUED).		
4. Differential carrier cover assembly (3) (continue).	b. Install onto item (2).	Rotate item (6) to engage splines with item (1). After installation, rotate item (6) again to check for correct assembly.
5. Five short screws (5), four long screws (8), and (4) lockwashers	Install in correct location in item (3) and torque to 115-125 lb-ft.	
6. Input shaft assembly (7).	Check end play as follows: a. Position dial indicator as shown. b. Check end play as shown. End play should be 0.003-0.007 inch.	If end play is not within specifications, refer to para 3-68 for end play adjustment.
NOTE		
Follow-on maintenance action required:		
Install rear axle flange (para 3-66).		
Install differential lockout (para 3-71).		
Connect front and rear drive shafts (TM 9-2320-283-20).		
Refill differential carrier assembly (LO 9-2320-283-12).		
Install forward-rear axle tires (TM 9-2320-283-10).		

REAR TANDEM AXLES.

3-67. DIFFERENTIAL CARRIER COVER REPLACEMENT (Continued).



LEGEND:

- 1. INTERAXLE DIFFERENTIAL ASSEMBLY
- 2. DIFFERENTIAL CARRIER AND BEARING CAP ASSEMBLY
- 3. DIFFERENTIAL CARRIER COVER ASSEMBLY
- 4. LOCKWASHER (8)
- 5. HEX HEAD SCREW 1-3/4" (5)
- 6. YOKE
- 7. INPUT SHAFT ASSEMBLY
- 8. HEX HEAD SCREW 2-1/2" (4)

TA 238251

REAR TANDEM AXLES.

3-68. DIFFERENTIAL CARRIER COVER REPAIR.

THIS TASK COVERS

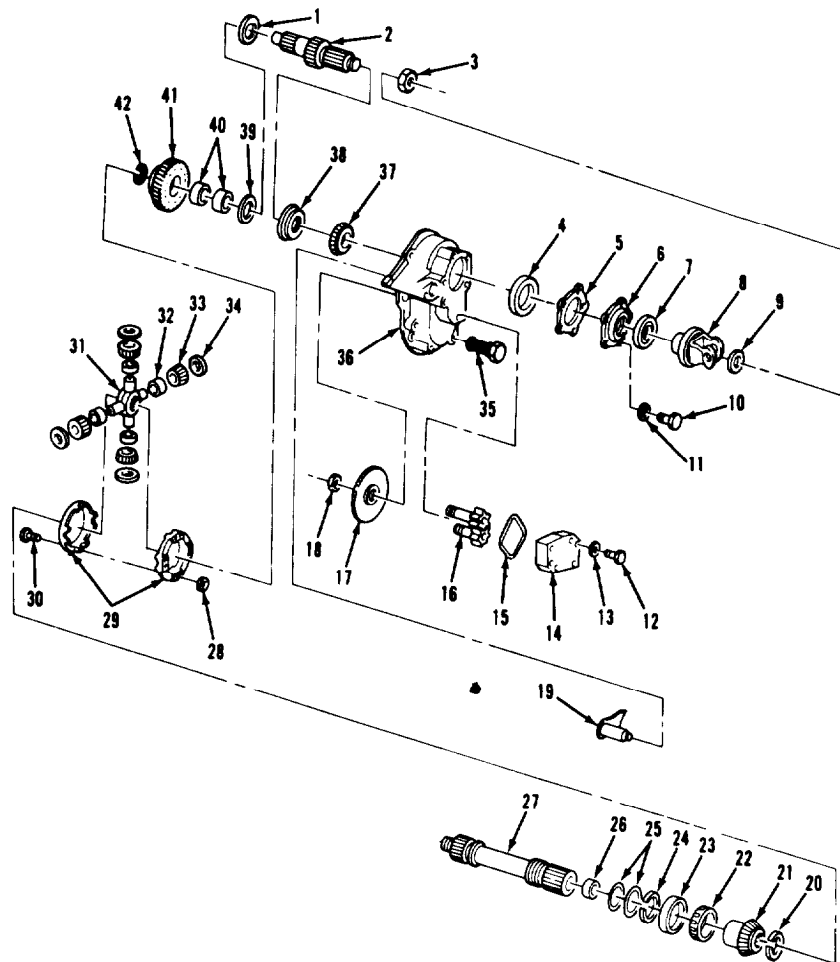
- a. Disassembly.
- b. Cleaning.
- c. Inspection.
- d. Assembly.
- e. Adjusting End Play.

INITIAL SETUP

<u>APPLICABLE CONFIGURATIONS</u>	<u>EQUIPMENT CONDITION PARAGRAPH</u>	<u>CONDITION DESCRIPTION</u>
ALL.	3-67.	Differential carrier cover and output shaft assembly removed.
 <u>TEST EQUIPMENT</u>		
None.	3-71	Differential lockout removed.
 <u>SPECIAL TOOLS</u>		
None.		
 <u>MATERIALS/PARTS (P/N)</u>		
Oil lubricating: OE/HDO-30 Item 18, Appendix B.		Locknut, hex head (8) (52304) 57637.
O-ring, output shaft (2) (52304) 46526.		O-ring (52304) 102620.
Seal, oil (52304) 64656.		
 <u>PERSONNEL REQUIRED</u>		 <u>SPECIAL ENVIRONMENTAL CONDITIONS</u>
One (MOS-63W)		Work area clean and away from blowing dirt and dust.
 <u>REFERENCES (TM)</u>		 <u>GENERAL SAFETY INSTRUCTIONS</u>
TM 9-2320-283-34P.		Snappings are made from spring steel and may pop off during removal. Wear face shield to prevent personal injury.
 <u>TROUBLESHOOTING REFERENCES</u>		
paragraph 2-7.		

REAR TANDEM AXLES.

3-68. DIFFERENTIAL CARRIER COVER REPAIR (Continued).



LEGEND:

- | | | |
|--------------------------------|---------------------|--------------------------------|
| 1. SPECIAL WASHER | 15. O-RING | 29. INTERAXLE DIFFERENTIAL |
| 2. INPUT SHAFT | 16. PUMP GEAR (2) | 30. BOLT (8) |
| 3. NUT | 17. PUMP DRIVE GEAR | 31. SPIDER |
| 4. BEARING CUP | 18. NUT | 32. BUSHING (4) |
| 5. INPUT BEARING
COVER SHIM | 19. SHIFT FORK | 33. PINION (4) |
| 6. BEARING RETAINER | 20. OUTER SNAPRING | 34. WASHER (4) |
| 7. OIL SEAL | 21. SIDE GEAR | 35. MAGNETIC SCREEN |
| 8. YOKE | 22. BEARING CONE | 36. DIFFERENTIAL CARRIER COVER |
| 9. WASHER | 23. BEARING CUP | 37. BEARING CONE |
| 10. SCREW (5) | 24. INNER SNAPRING | 38. LOCKOUT SLIDING CLUTCH |
| 11. WASHER (5) | 25. O-RING (2) | 39. WASHER |
| 12. SCREW (4) | 26. BUSHING | 40. BUSHING (2) |
| 13. WASHER (4) | 27. OUTPUT SHAFT | 41. HELICAL GEAR |
| 14. HOUSING | 28. NUT (8) | 42. SNAPRING |

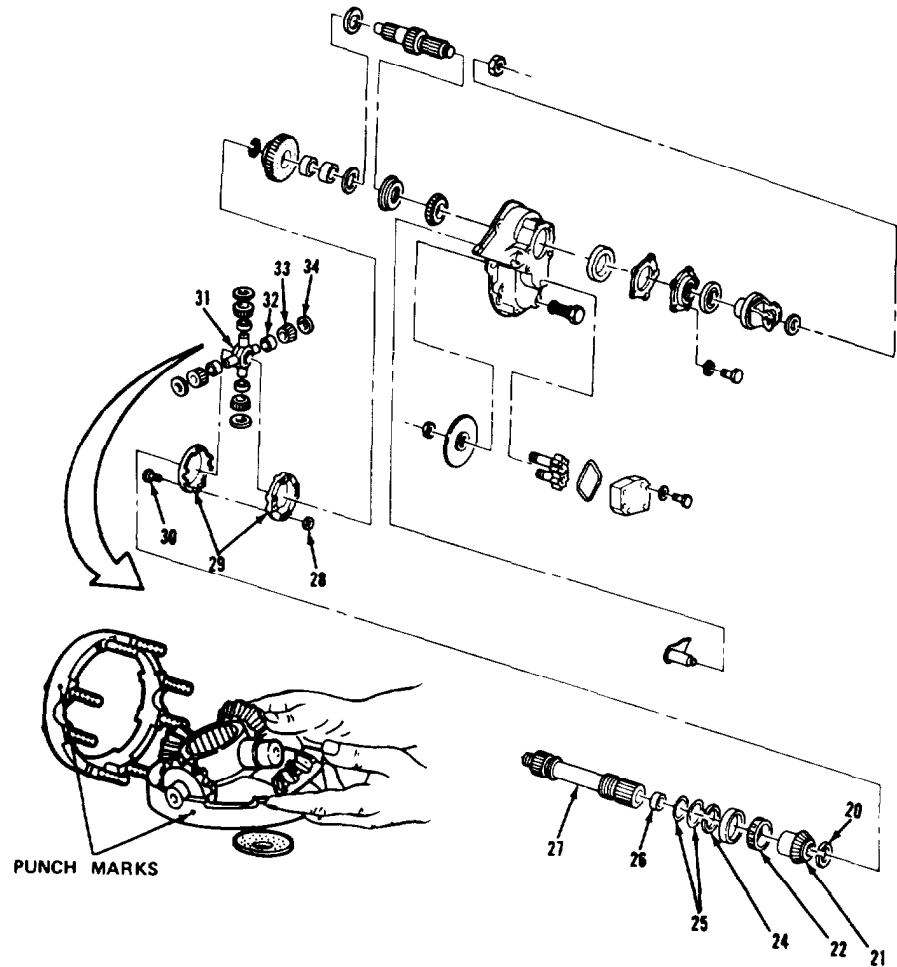
TA 238352

REAR TANDEM AXLE.

3-68. DIFFERENTIAL CARRIER COVER REPAIR (Continued).		
LOCATION/ITEM	ACTION	REMARKS
A. DISASSEMBLY.		
1. Differential (29) and spider (31).	Center punch each for correct location for reassembly.	Both halves of item (29) will have to be center punched as shown.
2. Eight bolts (30) and nuts (28).	Remove from item (29).	Discard item (28).
<u>CAUTION</u>		
Do not mix pinions, bushings, and washers of interaxle differential after separating the two halves. Tag each part for reassembly.		
3. Differential (29).	Separate both halves.	
4. Four washers (34), pinions (33), and bushings (32).	Remove from item (31).	Do not mix items (32), (33), and (34).
5. Snapping (20).	Remove from item (27).	Mount item (27) in vise with jaw protectors. Use snapping pliers to remove item (20).
6. Gear (21), cone (22) and cup (23) as an assembly, and two O-rings (25).	Remove from item (27).	Do not remove item (24) unless damaged. Discard items (25).
<u>NOTE</u>		
Do not remove the bushings in the helical gear and output shaft until an inspection has been performed to determine whether the bushings need to be replaced.		
7. Bushing (26).	Remove from item (27).	Discard item (27).
8. Bearing cone (22).	Remove from item (21).	Use a suitable hydraulic press and split type puller to separate item (21) from item (22).

REAR TANDEM AXLF.

3-68. DIFFERENTIAL CARRIER COVER REPAIR (Continued).



LEGEND:

- | | |
|--------------------|----------------------------|
| 20. OUTER SNAPRING | 29. INTERAXLE DIFFERENTIAL |
| 21. SIDE GEAR | 30. BOLT (8) |
| 22. BEARING CONE | 31. SPIDER |
| 23. BEARING CUP | 32. BUSHING (4) |
| 24. INNER SNAPRING | 33. PINION (4) |
| 25. O-RING (2) | 34. WASHER (4) |
| 26. BUSHING | |
| 27. OUTPUT SHAFT | |
| 28. NUT (8) | |

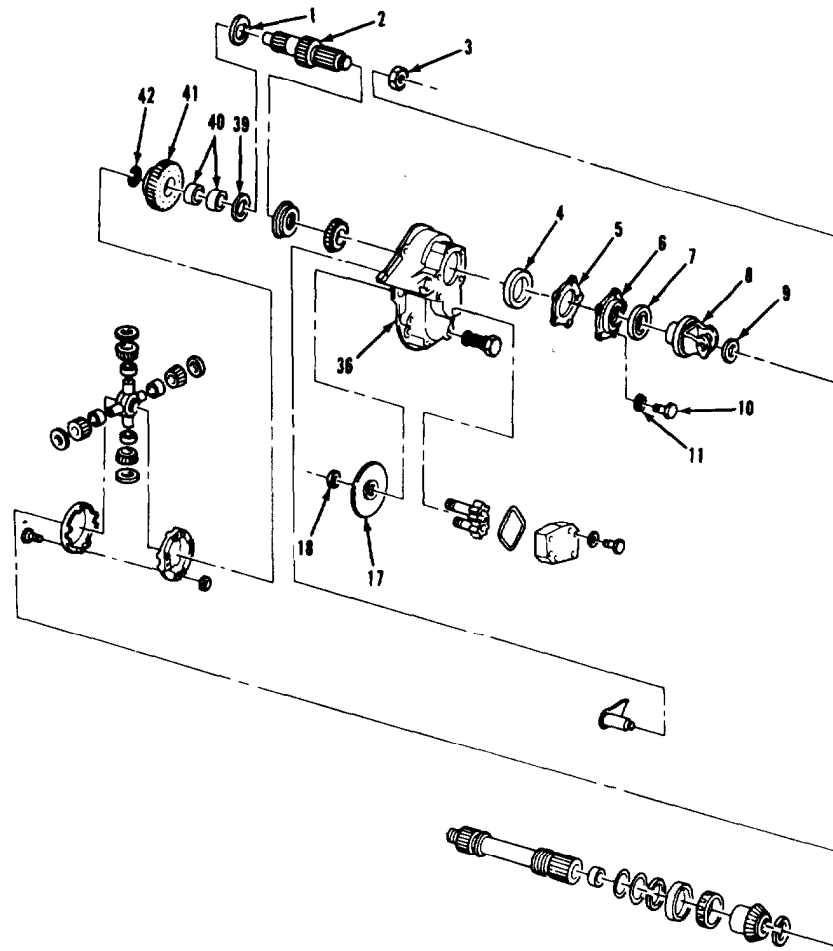
TA 238353

REAR TANDEM AXLES.

3-68. DIFFERENTIAL CARRIER COVER REPAIR (Continued).		
LOCATION/ITEM	ACTION	REMARKS
A. DISASSEMBLY (Continued).		
9. Snapping (42).	Remove from item (2).	
10. Gear (41), washer (1), and washer (39).	Remove from item (2).	Item (39) is a bronze thrust washer.
11. Two bushings (40).	Remove from item (41).	Discard item (40).
12. Nut (18).	Remove from item (17).	To loosen item (18), prevent item (8) from turning.
13. Nut (3).	Remove from item (2).	Use a suitable yoke holding tool to prevent item (8) from turning.
14. Washer (9) and yoke (8).	Remove from item (2).	Hitting the backside of item (8) with a brass hammer will assist in removal.
NOTE		
Do not discard bearing cover shims. Shims will be needed during assembly.		
15. Five screws (10) and washers (11).	Remove from item (6).	
16. Retainer (6).	Remove from item (36).	Item (6) may require slight upward and downward pressure to remove.
17. Shim (5).	Remove from item (6).	More than one shim may be used. Do not discard item (5).
18. Seal (7).	Remove from item (6).	Discard item (7).
19. cup (4).	Remove from item (6).	A hammer and a punch may be used to remove item (4).

REAR TANDEM AXLES.

3-68. DIFFERENTIAL CARRIER COVER RERAIR (Continued).



LEGEND:

- | | |
|-----------------------------|--------------------------------|
| 1. SPECIAL WASHER | 10. SCREW (5) |
| 2. INPUT SHAFT | 11. WASHER (5) |
| 3. NUT | 17. PUMP DRIVE GEAR |
| 4. BEARING CUP | 18. NUT |
| 5. INPUT BEARING COVER SHIM | 36. DIFFERENTIAL CARRIER COVER |
| 6. BEARING RETAINER | 39. WASHER |
| 7. OIL SEAL | 40. BUSHING (2) |
| 8. YOKE | 41. HELICAL GEAR |
| 9. WASHER | 42. SNAPRING |

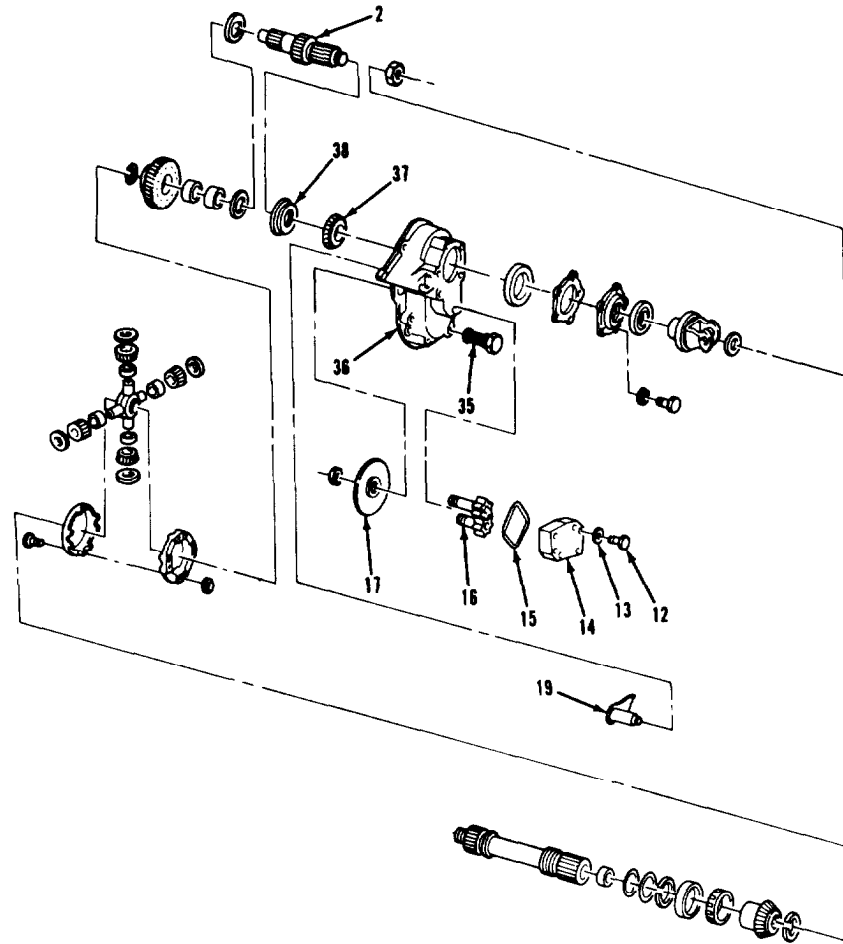
TA 238354

REAR TANDEM AXLES.

3-68. DIFFERENTIAL CARRIER COVER REPAIR (Continued).		
LOCATION/ITEM	ACTION	REMARKS
A. DISASSEMBLY (Continued).		
20. Shaft (2).	Remove from item (36).	
21. Clutch (38), fork (19), and gear (17).	Remove from item (36).	
22. Cone (37).	Remove from item (2).	Temporarily place item (38) onto rear of item (2) with teeth toward item (37). Place item (2) in hydraulic press and remove item (37).
23. Four screws (12) and washers (13).	Remove from item (14).	
24. Housing (14).	Remove from item (36).	
25. O-ring (15).	Remove from item (14).	Discard item (15).
26. Two gears (16).	Remove from item (36).	
27. Screen (35).	Remove from item (36).	
B. CLEANING.		
28. All parts.	Clean.	Refer to paragraph 3-4.
C. INSPECTION.		
29. All parts.	Inspect.	Refer to paragraph 3-5.
D. ASSEMBLY.		
NOTE		
Before assembly, coat all internal parts with OE/HDO-30 lubricating oil.		

REAR TANDEM AXLES.

3-68. DIFFERENTIAL CARRIER COVER REPAIR (Continued).



LEGEND:

- | | |
|-------------------|--------------------------------|
| 2. INPUT SHAFT | 17. PUMP DRIVE GEAR |
| 12. SCREW (4) | 19. SHIFT FORK |
| 13. WASHER (4) | 35. MAGNETIC SCREEN |
| 14. HOUSING | 36. DIFFERENTIAL CARRIER COVER |
| 15. O-RING | 37. BEARING CONE |
| 16. PUMP GEAR (2) | 38. LOCKOUT SLIDING CLUTCH |

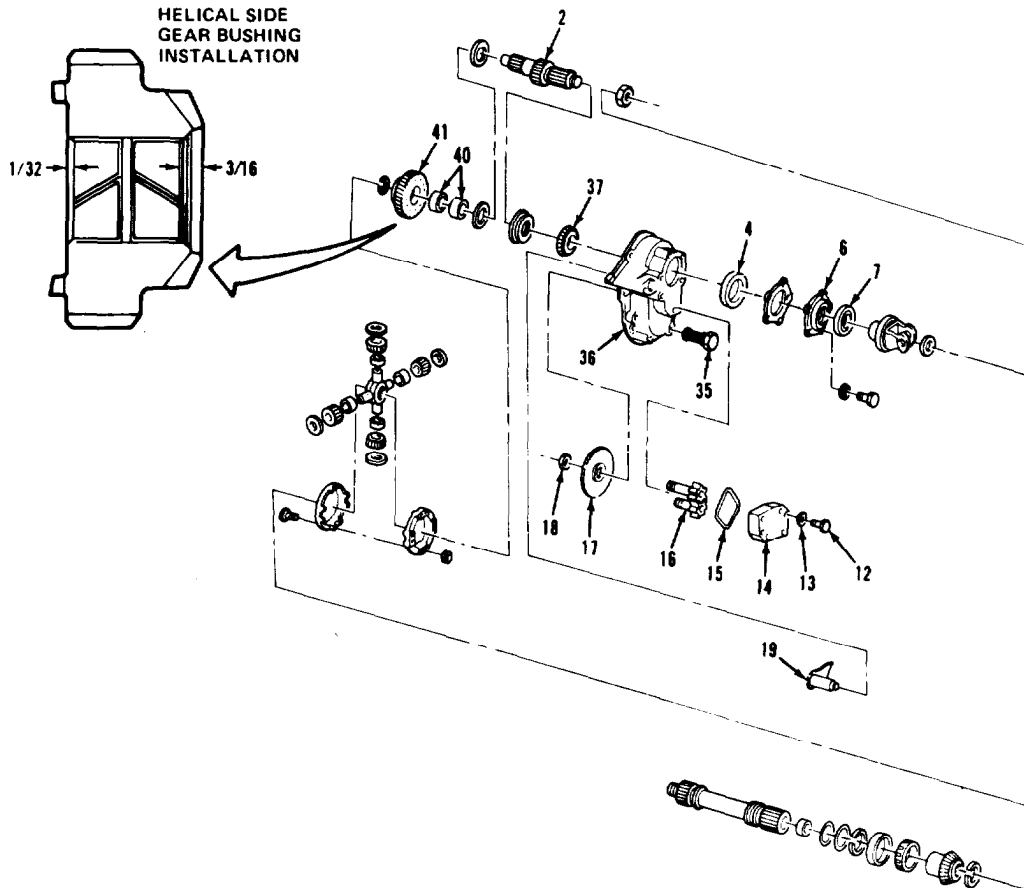
TA 238355

REAR TANDEM AXLES.

3-68. DIFFERENTIAL CARRIER COVER REPAIR (Continued).		
LOCATION/ITEM	ACTION	REMARKS
D. ASSEMBLY (Continued).		
30. Two gears (16).	Install in item (36).	Item (16) with long threaded shaft is placed in hole next to hole of item (2).
31. New O-ring (15).	Install in item (14).	
32. Housing (14).	Position on item (36).	
33. Four screws (12) and washers (13).	Install in item (14) and torque items (12) to 85-105 lb-in.	
34. Gear (17).	Install onto threaded shaft of item (16).	
35. Nut (18).	Install onto threaded shaft of item (16) and hand tighten.	
36. Screen (35).	Install in item (36) and torque to 40-60 lb-ft.	
37. New cone (37).	Install onto item (2) using a suitable press and bearing cone adapter.	
38. New cup (4).	Install into item (6) using a suitable press.	Item (4) should be pressed in until it bottoms in item (6).
39. New seal (7).	Install into item (6) using a suitable seal installer.	Item (7) should be pressed in until it is flush with edge of item (6).
40. Two new bushings (40).	Install as shown into item (41) using suitable bushing installer tool.	
41. Fork (19).	Install into item (36).	

REAR TANDEM AXLES.

3-68. DIFFERENTIAL CARRIER COVER REPAIR (Continued).



LEGEND:

- | | |
|---------------------|--------------------------------|
| 2. INPUT SHAFT | 17. PUMP DRIVE GEAR |
| 4. BEARING CUP | 18. NUT |
| 6. BEARING RETAINER | 19. SHIFT FORK |
| 7. OIL SEAL | 35. MAGNETIC SCREEN |
| 12. SCREW (4) | 36. DIFFERENTIAL CARRIER COVER |
| 13. WASHER (4) | 37. BEARING CONE |
| 14. HOUSING | 40. BUSHING (2) |
| 15. O-RING | 41. HELICAL GEAR |
| 16. PUMP GEAR (2) | |

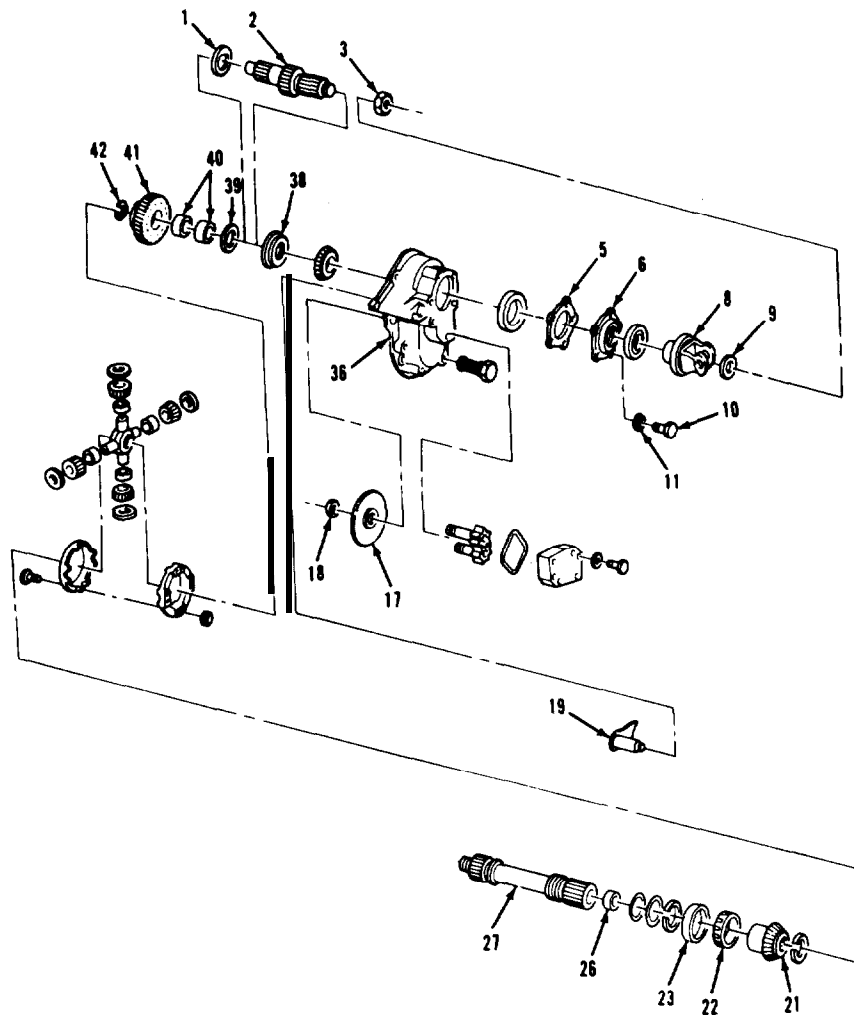
TA 238356

REAR TANDEM AXLES.

3-68. DIFFERENTIAL CARRIER COVER REPAIR (Continued).		
LOCATION/ITEM	ACTION	REMARKS
D. ASSEMBLY (Continued).		
NOTE		
Position a block of wood, 4 inch x 4 inch x 4 inch, under the shift fork to prevent it from falling out when differential carrier cover is reversed.		
42. Clutch (38).	Slide onto item (2) with clutch teeth facing item (41).	
43. Shaft (2).	Install through the front of item (36).	It may be necessary to rotate item (2) so that engages onto item (19).
44. Retainer (6).	Install onto item (36).	Install without items (5).
45. Five screws (10) and washers (11).	Install in item (6) finger tight only.	Items (10) and (11) will be removed for checking and adjusting end play in step 60.
46. Yoke (8), washer (9), and nut (3).	Install onto item (2) and temporarily tighten item (3).	Refer to step 45.
47. Nut (18).	Install on item (17) and torque to 35-45 lb-ft.	Hold item (8) when torquing item (18).
48. Washer (1), washer (39), gear (41), and ring (42).	Install in that order onto item (2).	Item (1) is a steel washer and item (39) is a bronze washer.
49. Cone (22).	Install onto item (21) using suitable mandrel and hydraulic press.	Protect gear teeth of item (21) during press operation.
50. New bushing (26).	Install into item (27) using suitable bushing installer.	
51. Assembled gear (21), cone (22), and cup (23).	Install onto item (27).	Clamp item (27) in a vise.

REAR TANDEM AXLES.

3-68. DIFFERENTIAL CARRIER COVER REPAIR (Continued).



LEGEND:

- | | |
|------------------------------|--------------------------------|
| 1. SPECIAL WASHER | 21. SIDE GEAR |
| 2. INPUT SHAFT | 22. BEARING CONE |
| 3. NUT | 23. BEARING CUP |
| 5. INPUT BEARING COVER SHIMS | 26. BUSHING |
| 6. BEARING RETAINER | 27. OUTPUT SHAFT |
| 8. YOKE | 36. DIFFERENTIAL CARRIER COVER |
| 9. WASHER | 38. LOCKOUT SLIDING CLUTCH |
| 10. SCREW (5) | 39. WASHER |
| 11. WASHER (5) | 40. BUSHING (2) |
| 17. PUMP DRIVE GEAR | 41. HELICAL GEAR |
| 18. NUT | 42. SNAPRING |
| 19. SHIFT FORK | |

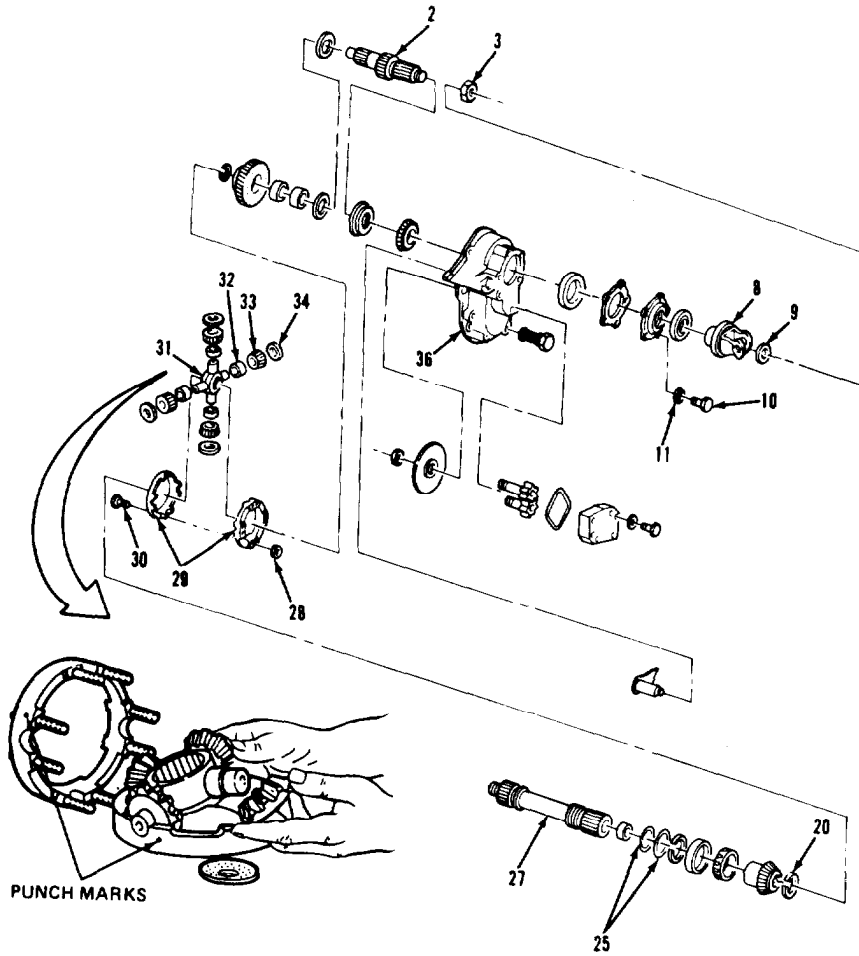
TA 238357

REAR TANDEM AXLES.

3-68. DIFFERENTIAL CARRIER COVER REPAIR (Continued).		
LOCATION/ITEM	ACTION	REMARKS
D. ASSEMBLY (Continued).		
52. Snapping (20).	Install onto end of item (27).	If item (24) was removed during disassembly, installation will be similar.
53. Two new O-rings (25).	Install onto item (27).	
54. Four bushings (32), pinion (33), and washers (34).	Install onto each shaft of item (31).	
55. Assembled spider (31).	Install in one half of item (29) and place the remaining half of item (29) onto item (31).	Make certain previously made, punch marks are alined.
56. Eight bolts (30) and new nuts (28).	Install into holes of item (29) and torque to 17-23 lb-ft.	
E. ADJUSTING END PLAY.		
NOTE		
To adjust end play, the assembled output shaft, interaxle differential and differential carrier cover must be installed on the differential carrier.		
57. Assembled cover (36).	Install onto differential carrier.	Refer to paragraph 3-67 for installation.
58. Differential carrier with carrier cover (36).	Mount in suitable differential stand.	
59. Nut (3), washer (9), yoke (8), five screws (10), and washers (11).	Remove from items (2) and (36).	Items (3), (9), (8), (10), and (11) were installed finger tight.

REAR TANDEM AXLES.

3-68. DIFFERENTIAL CARRIER COVER REPAIR (Continued).



LEGEND:

- | | |
|--------------------|--------------------------------|
| 2. INPUT SHAFT | 28. NUT (8) |
| 3. NUT | 29. INTERAXLE DIFFERENTIAL |
| 8. YOKE | 30. BOLT (8) |
| 9. WASHER | 31. SPIDER |
| 10. SCREW (5) | 32. BUSHING (4) |
| 11. WASHER (5) | 33. PINION (4) |
| 20. OUTER SNAPRING | 34. WASHER (4) |
| 25. O-RING (2) | 36. DIFFERENTIAL CARRIER COVER |
| 27. OUTPUT SHAFT | |

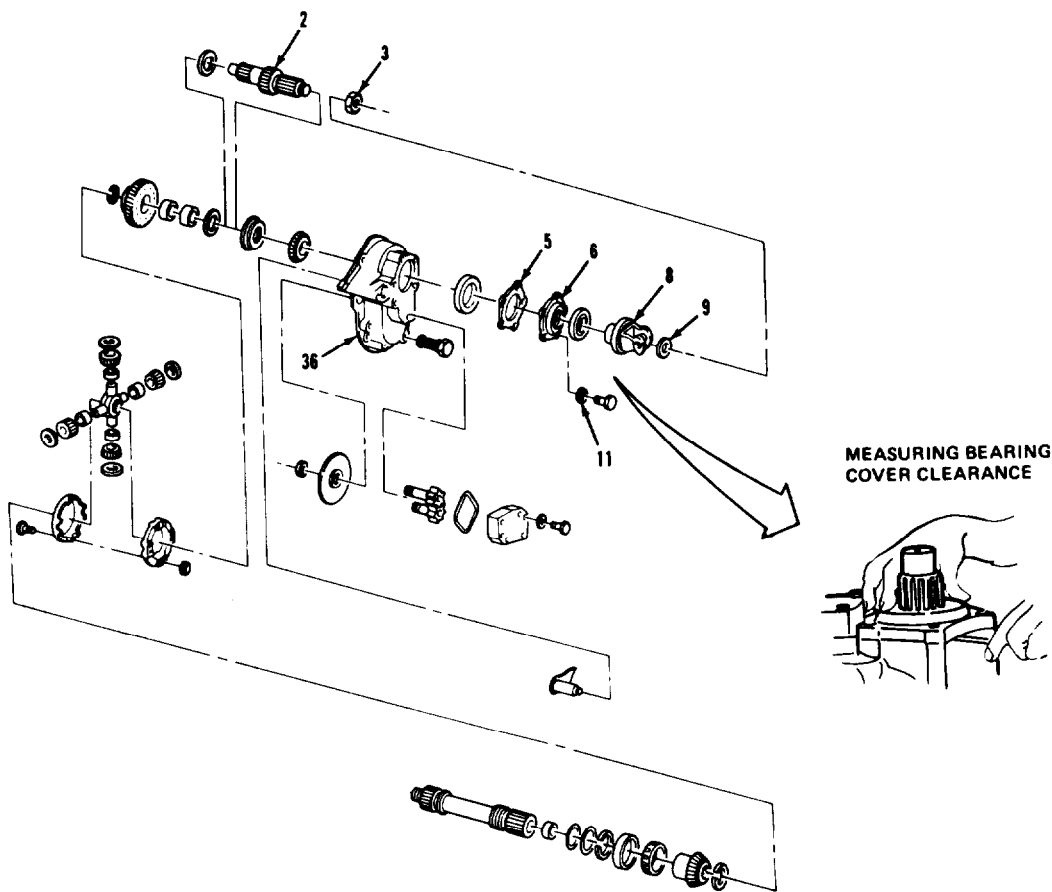
TA 238358

REAR TANDEM AXLES.

3-68. DIFFERENTIAL CARRIER COVER REPAIR (Continued).		
LOCATION/ITEM	ACTION	REMARKS
E. ADJUSTING END PLAY (Continued).		
60. Retainer (6).	Adjust end play as follows:	
	a. Using feeler gage and hand pressure on item (6), measure clearance between item (36) and item (6) as shown.	
	b. Add 0.005 to the bearing cover clearance measured in step a and construct a shim pack of this size.	Item (5) are available in 0.003, 0.005, 0.010, and 0.020 inch If measured bearing cover clearance is 0.034 and 0.005 has been added to provide end play, the shim pack size should be 0.039.
	c. Remove item (6) and install shim pack (5).	
	d. Install item (6), five items (11), and torque to 85 lb-ft.	
	e. Install items (8), (9), and (3). Tighten item (3) snugly. Tap end of item (2) lightly to seat bearing.	

REAR TANDEM AXLES.

3-68. DIFFERENTIAL CARRIER COVER REPAIR (Continued).



LEGEND:

- | | |
|-----------------------------|--------------------------------|
| 2. INPUT SHAFT | 8. YOKE |
| 3. NUT | 9. WASHER |
| 5. INPUT BEARING COVER SHIM | 11. WASHER (5) |
| 6. BEARING RETAINER | 36. DIFFERENTIAL CARRIER COVER |

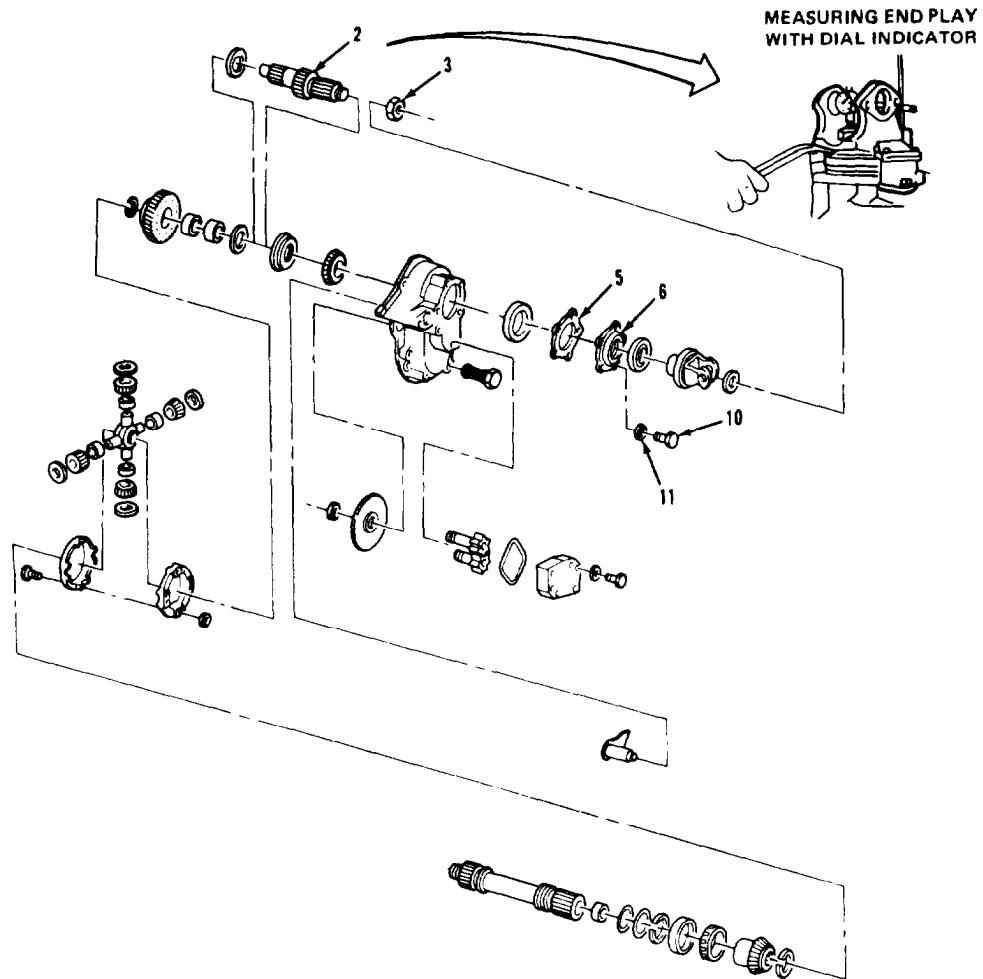
TA 238359

REAR TANDEM AXLES.

3-68. DIFFERENTIAL CARRIER COVER REPAIR (Continued).		
LOCATION/ITEM	ACTION	REMARKS
E. ADJUSTING END PLAY (Continued).		
60. Retainer (6) (continued).	Adjust end play as follows (continued):	
	f. Check end play of item (2) with dial indicator as shown. End play should be between 0.003-0.007 inch.	If end play is less than 0.003 inch add items (5) to shim pack. If end play is more than 0.007 remove shims as required from shim pack. The five items (10) and (11) will have to be re- torqued if shims have been added or removed.
	g. With end play correct proceed to step 61.	
61. Nut (3).	Torque to 780-960 lb-ft.	Use a suitable yoke holding tool to prevent yoke from turning while torquing.
NOTE		
*Differential carrier cover may be re- moved from differential carrier after end play adjustments and torquing of yoke have been completed. Removal of differential carrier cover is neces- sary if repair of differential carrier is required.		
*Follow-on maintenance action required: Install differential lockout (para 3-71). Install differential carrier cover on differential carrier, if removed (para 3-67).		

REAR TANDEM AXLES.

- 68. DIFFERENTIAL CARRIER COVER REPAIR (Continued).



LEGEND:

- 2. INPUT SHAFT
- 3. NUT
- 5. INPUT BEARING COVER SHIMS

- 6. BEARING RETAINER
- 10. SCREW (5)
- 11. WASHER (5)

TA 238360

REAR TANDEM AXLES.

3-69. FORWARD-REAR AXLE CARRIER REPLACEMENT.

THIS TASK COVERS

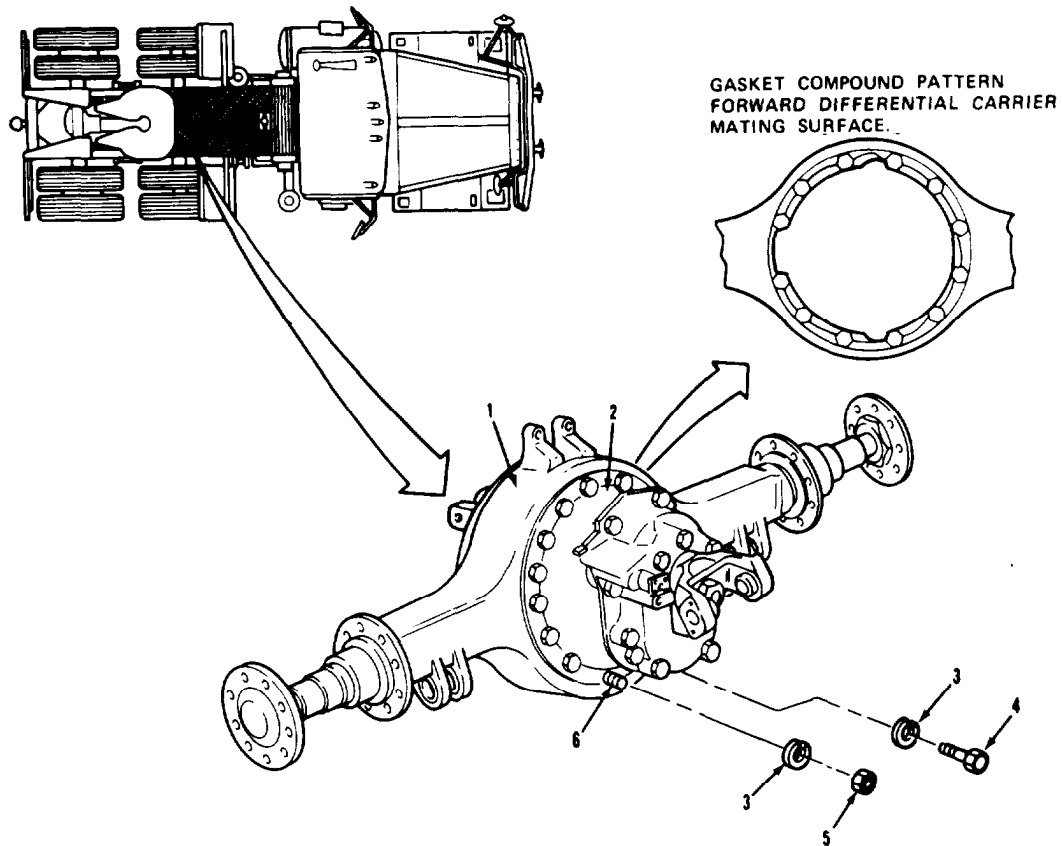
- a. Removal.
- b. Cleaning.
- c. Inspection.
- d. Installation.

INITIAL SETUP

<u>APPLICABLE CONFIGURATIONS</u>	<u>EQUIPMENT CONDITION PARAGRAPH</u>	<u>CONDITION DESCRIPTION</u>
All.	LO 9-2320-283-12.	Forward-rear axle housing oil drained.
<u>TEST EQUIPMENT</u> None.	TM 9-2320-283-20.	Front and rear drive shafts disconnected.
<u>SPECIAL TOOLS</u> Flange tool (33287) J3453.	TM 9-2320-283-20.	Axle shafts removed.
	3-71.	Differential lockout removed.
	3-66.	Output flange removed.
<u>MATERIALS/PARTS (P/N)</u> Sealant, silicone rubber Item 27, Appendix B.		
<u>PERSONNEL REQUIRED</u> One (MOS-63W).	<u>SPECIAL ENVIRONMENTAL CONDITIONS</u> Work area clean and away from blowing dirt and dust.	
<u>REFERENCES (TM)</u> LO 9-2320-283-12. TM 9-2320-283-20. TM 9-2320-283-34P.	<u>GENERAL SAFETY INSTRUCTIONS</u> Front and rear wheels blocked.	
<u>TROUBLESHOOTING REFERENCES</u> Paragraph 2-7.		

REAR TANDEM AXLES.

3-69. FORWARD-REAR AXLE CARRIER REPLACEMENT (Continued).



LEGEND:

- 1. FORWARD-REAR AXLE HOUSING
- 2. FORWARD-REAR AXLE CARRIER
- 3. LOCKWASHER (12)
- 4. SCREW
- 5. HEX HEAD NUT (11)
- 6. STUD (11)

TA 238361

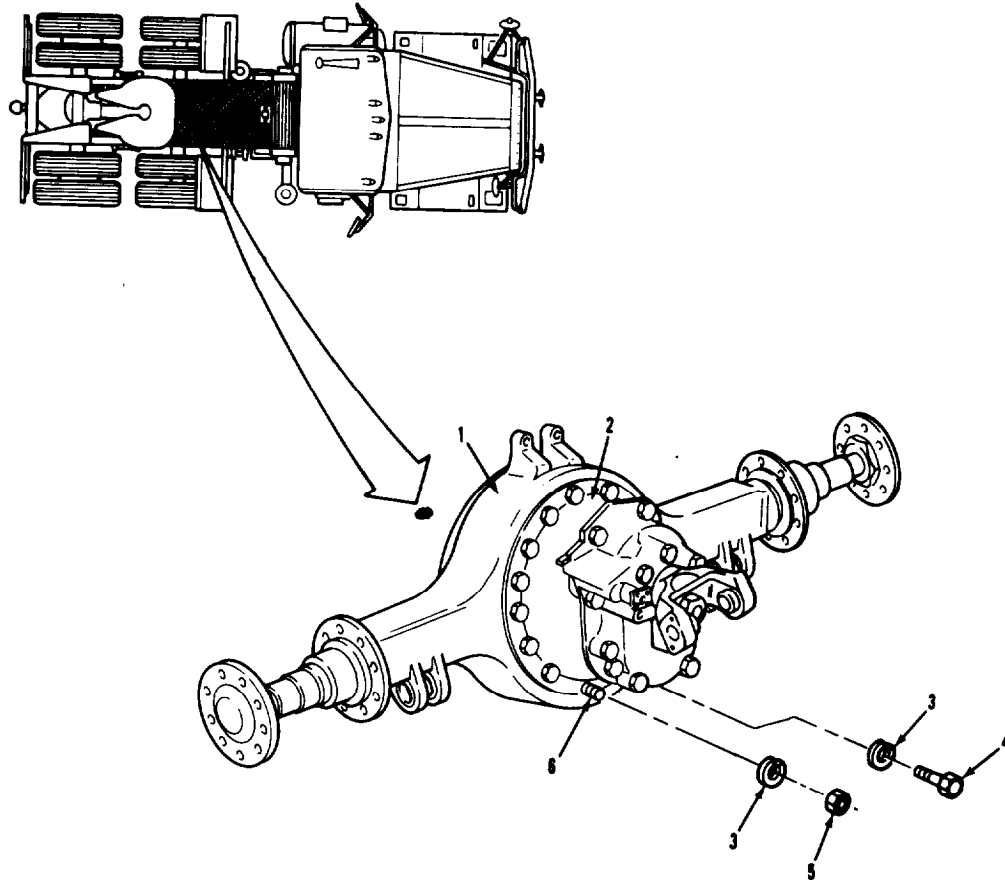
REAR TANDEM AXLES.

3-69. FORWARD-REAR AXLE CARRIER REPLACEMENT (Continued).

LOCATION/ITEM	ACTION	REMARKS
NOTE		
<ul style="list-style-type: none"> •The differential carrier and cover can be removed from axle housing installed or with the axle housing removed. If axle housing has been removed, a suitable floor crane will be required to lift carrier from housing after nuts and lockwashers have been removed. •The differential carrier and differential carrier cover do not have to be removed as one unit. The differential carrier cover can first be removed followed by the differential carrier. The availability and type of carrier jacks will determine whether or not both can be removed as one unit. 		
A. REMOVAL.		
<p>1. Eleven nuts (5), one, screw (4), and twelve lockwashers (3).</p>	<p>Remove.</p>	
NOTE		
<p>Raising rear of frame may be necessary to gain clearance for removal of differential carrier and carrier jack.</p>		
<p>2. Carrier (2).</p>	<p>Carefully remove from item (1).</p>	<p>The use of two pry bars may be necessary to separate item (2) from item (1).</p>

REAR TANDEM AXLES.

3-69. FORWARD-REAR AXLE CARRIER REPLACEMENT (Continued).



LEGEND:

- 1. FORWARD-REAR AXLE HOUSING
- 2. FORWARD-REAR AXLE CARRIER
- 3. LOCKWASHER (12)
- 4. SCREW
- 5. HEX HEAD NUT (11)
- 6. STUD (11)

TA 238382

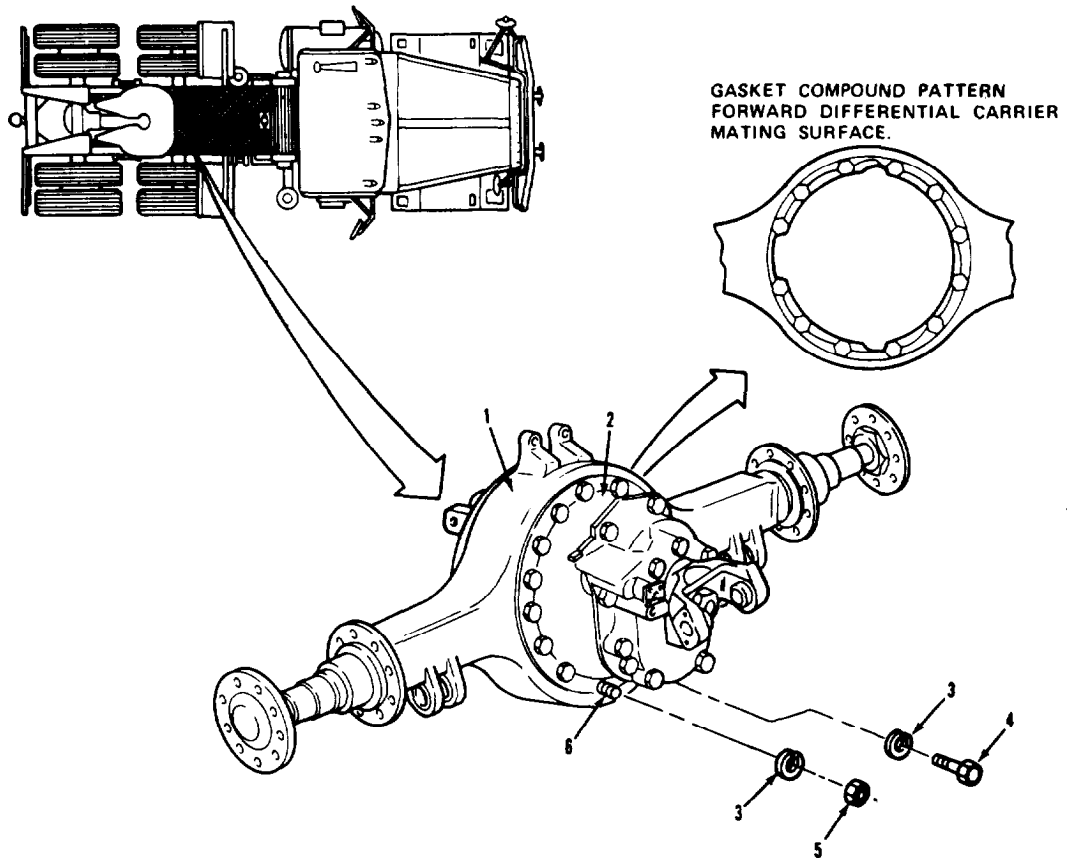
REAR TANDEM AXLES.

3-69. FORWARD-REAR AXLE CARRIER REPLACEMENT (Continued).

LOCATION/ITEM	ACTION	REMARKS
B. CLEANING.		
3. Housing (1).	Clean.	Refer to paragraph 3-4.
C. INSPECTION.		
4. Housing (1).	Inspect.	Refer to paragraph 3-5.
D. INSTALLATION.		
5. Housing (1).	Apply silicone sealer as shown.	
6. Carrier (2).	Carefully install into item (1).	
7. Eleven lockwashers (3) and nuts (5).	Install and torque to 220-240 lb-ft on item (6).	
8. Lockwasher (3) and screw (4).	Install and torque to 160-176 lb-ft on item (6).	
NOTE		
Follow-on maintenance action required:		
Refill axle housing with gear oil (LO 9-2320-283-12). Install output flange (para 3-66). Connect front and rear drive shafts (TM 9-2320-283-20). Install differential lockout (para 3-71). Install two axle shafts (TM 9-2320-283-20).		

REAR TANDEM AXLES.

3-69. FORWARD-REAR AXLE CARRIER REPLACEMENT (Continued).



LEGEND:

- 1. FORWARD-REAR AXLE HOUSING
- 2. FORWARD-REAR AXLE CARRIER
- 3. LOCKWASHER (12)
- 4. SCREW
- 5. HEX HEAD NUT (11)
- 6. STUD (11)

TA 238363

REAR TANDEM AXLES.

3-70. FORWARD-REAR AXLE CARRIER REPAIR.

THIS TASK COVERS

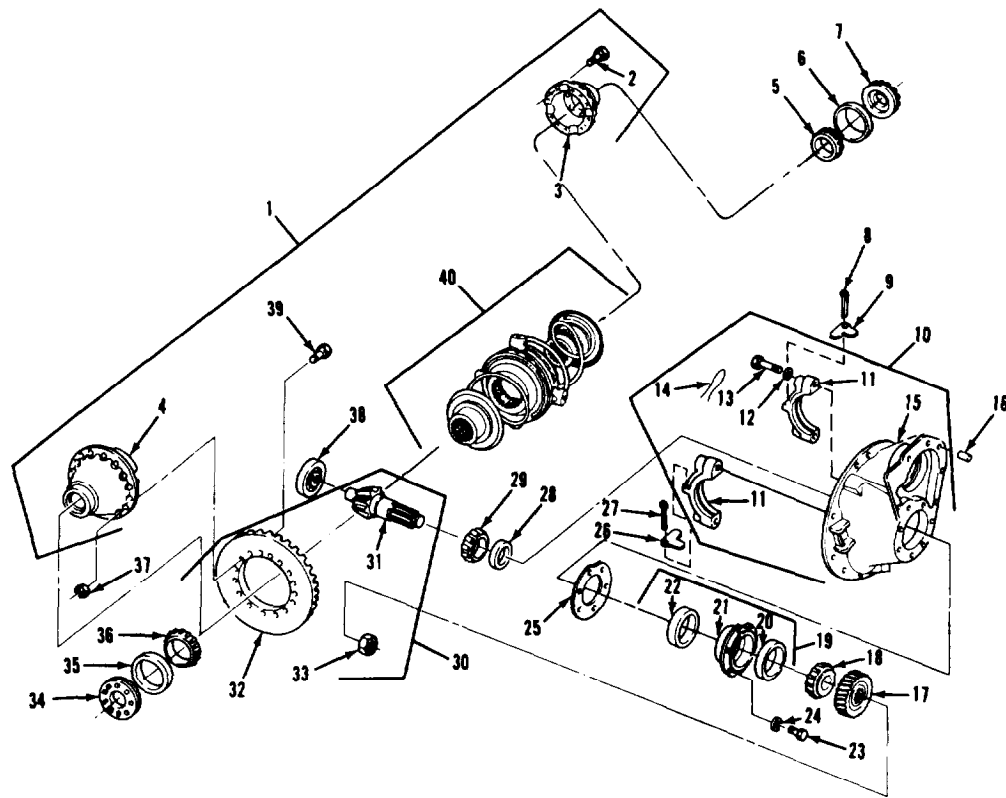
- | | |
|--------------------------------------|--|
| a. Disassembly. | e. Adjusting Differential Preload. |
| b. Cleaning and Inspection. | f. Adjusting Ring Gear Backlash. |
| c. Assembly. | g. Ring Gear and Pinion Tooth Contact. |
| d. Adjusting Pinion Bearing Preload. | h. Adjusting Tooth Contact Pattern. |
| | i. Final Assembly. |

INITIAL SETUP

<u>APPLICABLE CONFIGURATIONS</u>	<u>EQUIPMENT CONDITION</u>	<u>CONDITION DESCRIPTION</u>
All.	3-69.	Forward-rear differential carrier removed.
<u>TEST EQUIPMENT</u>		
	3-67.	Differential carrier cover removed.
<u>SPECIAL TOOLS</u>		
Staking tool (33287) J-26883.		
<u>MATERIALS/PARTS (P/N)</u>		
Oil, lubricating: OE/HDO-30. Item 17, Appendix B.	Cup, outer pinion bearing (52304) 35502.	
Pin, cotter (52304) 90873.	Bearing, pinion pilot (52304) 15828.	
Screw, hex head (12) (52304) 96271.	Cup, differential bearing (52304) 9803.	
Pin, cotter (52304) 90876.	Cone, differential bearing (52304) 27813.	
Cone, inner pinion bearing (52304) 85439.	Cup, differential bearing (52304) 90943.	
Cone, outer pinion bearing (52304) 110846.	Cone, differential bearing (52304) 6082.	
Cup, inner pinion bearing (52304) 14217.	Pin, dowel (16) (52304) 7641.	
<u>PERSONNEL REQUIRED</u>	<u>SPECIAL ENVIRONMENTAL CONDITIONS</u>	
Two (MOS-63W).	Work area clean and away from blowing dirt and dust.	
<u>REFERENCES (TM)</u>	<u>GENERAL SAFETY INSTRUCTIONS</u>	
TM 9-2320-283-34P.	When using a hydraulic press for removal or installation of bearings, wear a face shield to prevent possible injury.	
<u>TROUBLESHOOTING REFERENCES</u>		
Paragraph 2-7.		

REAR TANDEM AXLES.

3-70. FORWARD-REAR AXLE CARRIER REPAIR (Continued).



LEGEND:

- | | |
|-------------------------------------|---|
| 1. DIFFERENTIAL WHEEL CAGE ASSEMBLY | 21. BEARING CAGE |
| 2. HEX HEAD SCREW (12) | 22. INNER PINION BEARING CUP |
| 3. PLAIN CASE HALF | 23. SCREW (6) |
| 4. FLANGED CASE HALF | 24. LOCKWASHER (6) |
| 5. DIFFERENTIAL BEARING CONE | 25. PINION BEARING CAGE SHIM |
| 6. DIFFERENTIAL BEARING CUP | 26. BEARING ADJUSTER LOCK |
| 7. DIFFERENTIAL BEARING ADJUSTER | 27. COTTER PIN |
| 8. COTTER PIN | 28. PINION BEARING SPACER |
| 9. BEARING ADJUSTER LOCK | 29. INNER PINION BEARING CONE |
| 10. DIFFERENTIAL ASSEMBLY | 30. RING GEAR AND DRIVE PINION ASSEMBLY |
| 11. BEARING CAP (2) | 31. DRIVE PINION |
| 12. FLAT WASHER (4) | 32. RING GEAR |
| 13. DRILLED HEX HEAD SCREW (4) | 33. PINION NUT |
| 14. LOCKWIRE (4) | 34. DIFFERENTIAL BEARING ADJUSTER |
| 15. FORWARD CARRIER | 35. DIFFERENTIAL BEARING CUP |
| 16. CARRIER COVER DOWEL PIN | 36. DIFFERENTIAL BEARING CONE |
| 17. HELICAL PINION GEAR | 37. LOCKNUT (16) |
| 18. OUTER PINION BEARING CONE | 38. PINION PILOT BEARING |
| 19. PINION BEARING CUP AND CAGE | 39. SPECIAL HEAD SCREW (16) |
| 20. OUTER PINION BEARING CUP | 40. DIFFERENTIAL No-SPIN* UNIT |

TA 238364

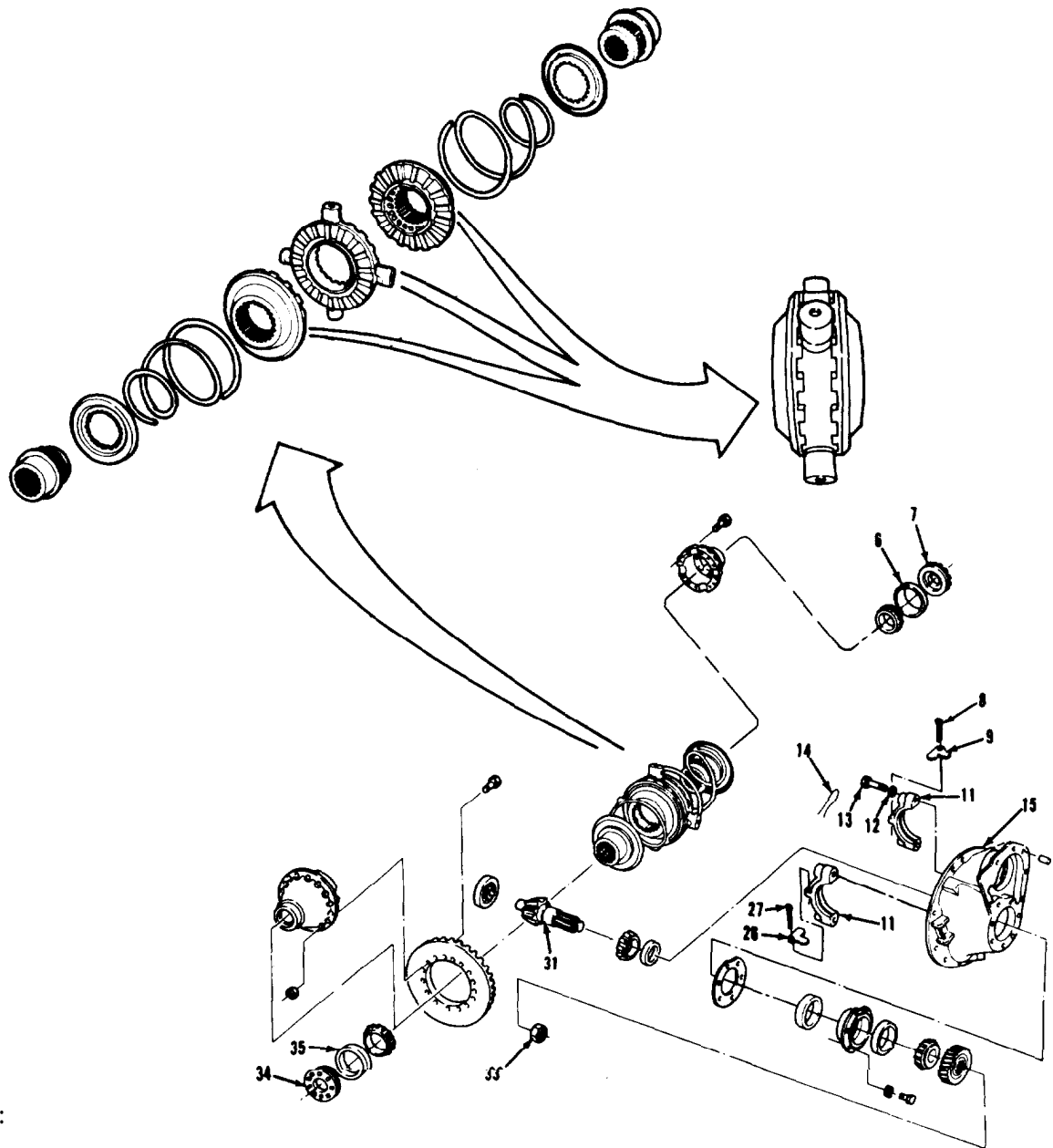
REAR TANDEM AXLES.

3-70. FORWARD-REAR AXLE CARRIER REPAIR (Continued).

LOCATION/ITEM	ACTION	REMARKS
A. DISASSEMBLY.		
NOTE		
Mount forward-rear axle carrier in a suitable overhaul stand.		
1. Nut (33).	Loosen from item (31), but do not remove.	
NOTE		
Rotate overhaul stand so that ring gear is facing up.		
2. Two caps (11) and carrier (15).	Center punch for correct location and alinement.	This will provide for correct alinement during reassembly.
3. Two adjusters (7) and (34).	Center punch for correct alinement and location.	If a new ring gear and drive pinion assembly are being installed, it is not necessary to center punch items (7) and (34).
4. Lockwire (14).	Cut, remove, and discard.	
5. Two pins (8) and (27).	Remove from items (11), (9), and (26).	Retain items (9) and (26) for reassembly. Discard item (8) and (27).
6. Four screws (13) and washers (12).	Remove from items (11).	
7. Two adjusters (7) and (34).	Remove from item (15).	
8. Two cups (6) and (35).	Remove from item (15).	
NOTE		
If ring gear and drive pinion are to be reused, determine backlash before disassembly. Use a suitable dial indicator as illustrated in step 55c.		

REAR TANDEM AXLES.

3-70. FORWARD-REAR AXLE CARRIER REPAIR (Continued).



LEGEND:

- | | |
|----------------------------------|-----------------------------------|
| 6. DIFFERENTIAL BEARING CUP | 15. FORWARD CARRIER |
| 7. DIFFERENTIAL BEARING ADJUSTER | 26. BEARING ADJUSTER LOCK |
| 8. COTTER PIN | 27. COTTER PIN |
| 9. BEARING ADJUSTER LOCK | 31. DRIVE PINION |
| 11. BEARING CAP (2) | 33. PINION NUT |
| 12. FLAT WASHER (4) | 34. DIFFERENTIAL BEARING ADJUSTER |
| 13. DRILLED HEX HEAD SCREW (4) | 35. DIFFERENTIAL BEARING CUP |
| 14. LOCKWIRE (4) | |

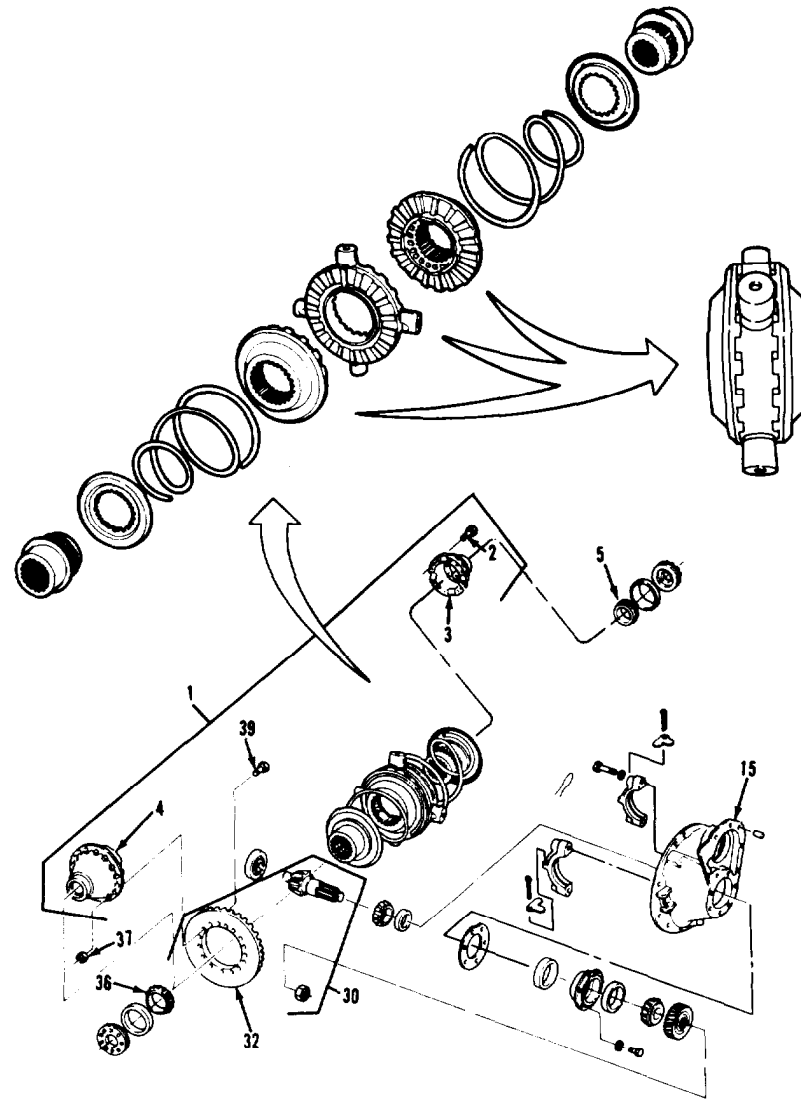
TA 238365

REAR TANDEM AXLES.

3-70. FORWARD-REAR AXLE CARRIER REPAIR (Continued),		
LOCATION/ITEM	ACTION	REMARKS
A. DISASSEMBLY (Continued).		
9. Ring gear and drive pinion assembly (30), two cones (5) and (36), and differential wheel cage assembly (1).	Remove as an assembly from item (15).	Use a suitable chain hoist attached to a steel bar. Insert the steel bar through the center of item (30) and lift out.
10. Sixteen screws (39) and locknuts (37).	Remove from item (4).	Secure item (4) in a suitable holding fixture to prevent it from turning while loosening items (37) and (39).
11. Gear (32).	Remove from item (4).	If item (32) will not drop off, tap outer diameter with soft mallet to loosen.
12. Case halves (3) and (4).	Center punch for correct alinement for reassembly.	
<u>WARNING</u>		
The differential wheel cage assembly is under spring tension. Remove the last screw very slowly to prevent it from springing apart and causing personal injury.		
13. Eleven screws (2).	Remove from item (3) and discard items (2).	
14. Screw (2).	Slowly loosen and remove from item (3) and discard item (2).	Items (3) and (4) will separate as soon as the last item (2) is removed.

REAR TANDEM AXLES.

3-70. FORWARD-REAR AXLE CARRIER REPAIR (Continued).



LEGEND:

1. DIFFERENTIAL WHEEL CAGE ASSEMBLY
2. HEX HEAD SCREW (12)
3. PLAIN CASE HALF
4. FLANGED CASE HALF
5. DIFFERENTIAL BEARING CONE
15. FORWARD CARRIER
30. RING GEAR AND DRIVE PINION ASSEMBLY
32. RING GEAR
36. DIFFERENTIAL BEARING CONE
37. LOCKNUT (16)
39. SPECIAL HEAD SCREW (16)

TA 238368

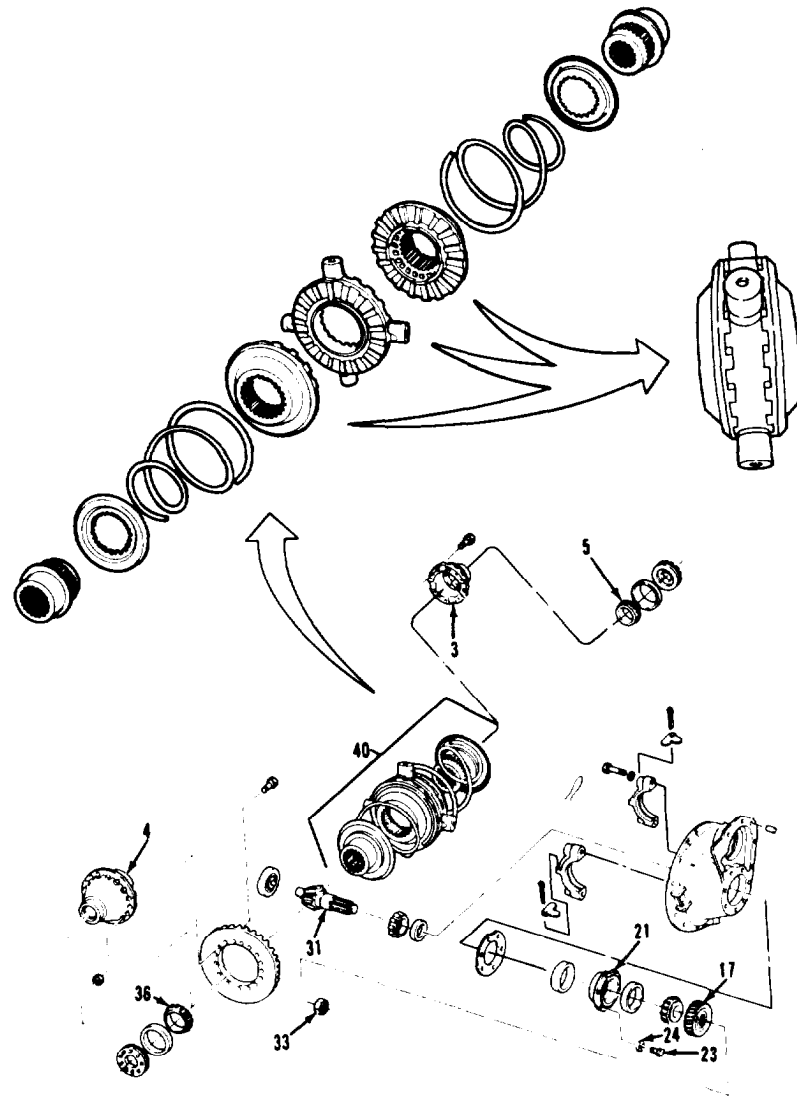
REAR TANDEM AXLES.

3-70. FORWARD-REAR AXLE CARRIER REPAIR (Continued).

LOCATION/ITEM	ACTION	REMARKS
A. DISASSEMBLY (Continued).		
NOTE		
The differential No-SPIN [®] unit is a non-repairable item. If it fails the inspection it is to be discarded.		
15. Unit (40).	Remove from item (4).	
NOTE		
Bearing cones and bearing cups which are pressed on are only to be removed if they fail inspection. Refer to step 30 for inspection. Removal of any bearing cup or cone will usually result in damage to the cone or cup.		
16. Cones (5) and (36).	Remove from item (3) using suitable bearing puller.	Discard items (5) and (36).
NOTE		
Rotate forward carrier so its position is the same as being mounted in the truck.		
17. Nut (33).	Remove from item (31).	
18. Gear (17).	Remove from item (31) using suitable gear puller.	Two pry bars under item (17) may be used instead of a gear puller.
19. Six screws (23) and lockwashers (24).	Remove from item (21).	

REAR TANDEM AXLES.

3-70. FORWARD-REAR AXLE CARRIER REPAIR (Continued).



LEGEND:

- 3. PLAIN CASE HALF
- 4. FLANGED CASE HALF
- 5. DIFFERENTIAL BEARING CONE
- 17. HELICAL PINION GEAR
- 21. BEARING CAGE
- 23. SCREW (6)
- 24. LOCKWASHER (6)
- 31. DRIVE PINION
- 33. PINION NUT
- 36. DIFFERENTIAL BEARING CONE
- 40. DIFFERENTIAL No-SPIN' = UNIT

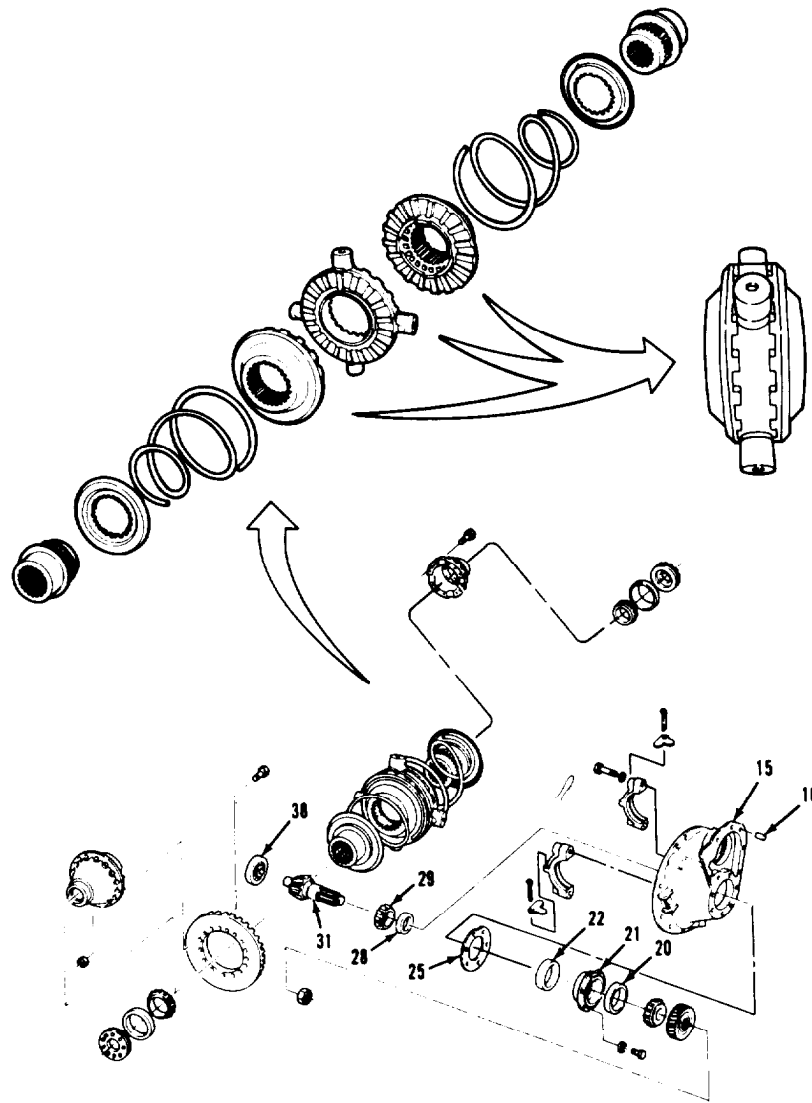
TA 238367

REAR TANDEM AXLES.

3-70. FORWARD-REAR AXLE CARRIER REPAIR (Continued).		
LOCATION/ITEM	ACTION	REMARKS
A. DISASSEMBLY (Continued).		
20. Pinion (31) and cage (21).	Remove from item (15).	It may be necessary to tap the back of item (31) with a soft face mallet for ease of removal.
NOTE		
More than one shim may be used. Count all shims and tag for use during assembly.		
21. Shims (25).	Remove from item (15).	Do not lose shims, they will be used for reassembly.
22. Pinion (31).	Remove from item (21) using a suitable hydraulic press.	
23. Cone (18).	Lift out of item (21).	
24. Spacer (28).	Remove from item (31).	Item (28) will be reused.
25. Cone (29).	Remove from item (31) using a suitable split type bearing puller and a hydraulic press.	
26. Bearing (38).	Remove from item (31) using a suitable split type bearing puller and a hydraulic press.	
27. Two cups (20) and (22).	Remove from item (21) using a ball peen hammer and drift punch.	
NOTE		
Do not remove dowel pin unless damaged or worn. If necessary to remove, proceed to step 28.		
28. Pin (16).	Remove using vise grips and twist out. Discard after removal.	

REAR TANDEM AXLES.

3-70. FORWARD-REAR AXLE CARRIER REPAIR (Continued).



LEGEND:

- 15. FORWARD CARRIER
- 16. CARRIER COVER DOWEL PIN
- 20. OUTER PINION BEARING CUP
- 21. BEARING CAGE
- 22. INNER PINION BEARING CUP
- 25. PINION BEARING CAGE SHIM
- 28. PINION BEARING SPACER
- 29. INNER PINION BEARING CONE
- 31. DRIVE PINION
- 38. PINION PILOT BEARING

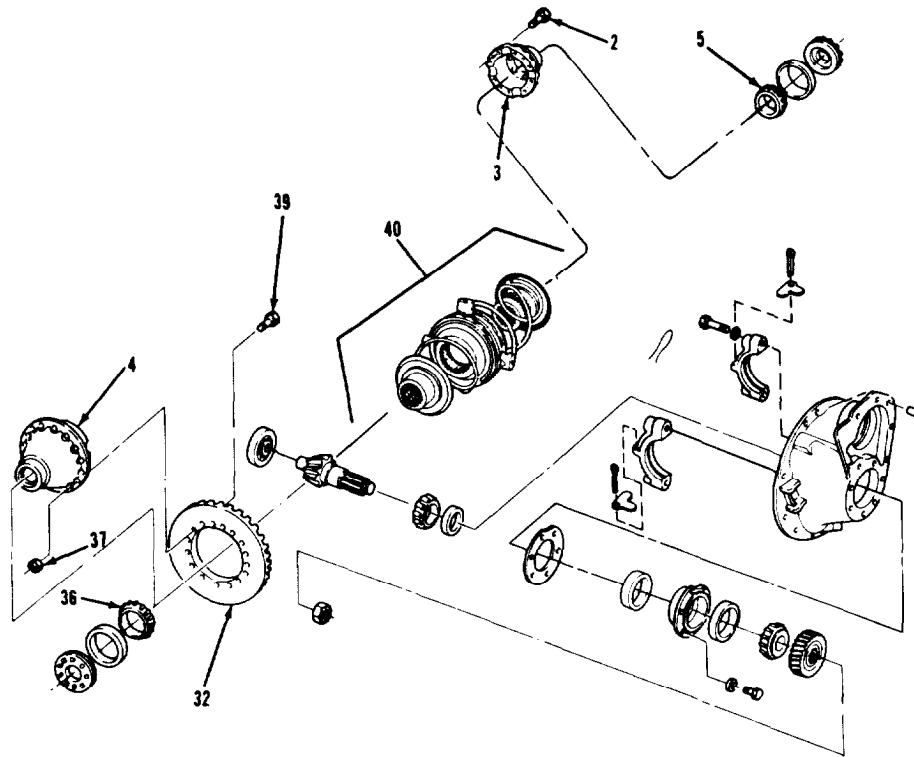
TA 238368

REAR TANDEM AXLES.

3-70. FORWARD-REAR AXLE CARRIER REPAIR (Continued).		
LOCATION/ITEM	ACTION	REMARKS
B. CLEANING AND INSPECTION.		
29. All parts.	Clean and inspect.	Refer to paragraphs 3-4 and 3-5.
C. ASSEMBLY.		
<u>CAUTION</u>		
Coat all parts with OE/HDO-30 lubricating oil before assembly.		
30. New cone (5).	Press onto item (3) using suitable bearing installation tool and hydraulic press.	
31. New cone (36).	Press onto item (4) using suitable bearing installation tool and hydraulic press.	
32. Unit (40).	Place in item (4).	
33. Case half (3).	Aline punch marks with item (4) and push halves together and secure with one new item (2).	
34. Eleven new screws (2).	Install in remaining holes of item (3). Torque all new items (2) to 150-180 lb-ft.	
<u>CAUTION</u>		
Make certain ring gear sits flat on flanged case. Any unevenness will result in incorrect adjustment and damage to the ring and pinion gear will result.		
35. Gear (32).	Install onto item (4).	
36. Sixteen screws (39) and locknuts (37).	Install in items (32) and (4), torque to 195-245 lb-ft.	

REAR TANDEM AXLES.

3-70. FORWARD-REAR AXLE CARRIER REPAIR (Continued).



LEGEND:

- | | |
|------------------------------|-------------------------------|
| 2. HEX HEAD SCREW (12) | 36. DIFFERENTIAL BEARING CONE |
| 3. PLAIN CASE HALF | 37. LOCKNUT (16) |
| 4. FLANGED CASE HALF | 39. SPECIAL HEAD SCREW (16) |
| 5. DIFFERENTIAL BEARING CONE | 40. DIFFERENTIAL No-SPIN UNIT |
| 32. RING GEAR | |

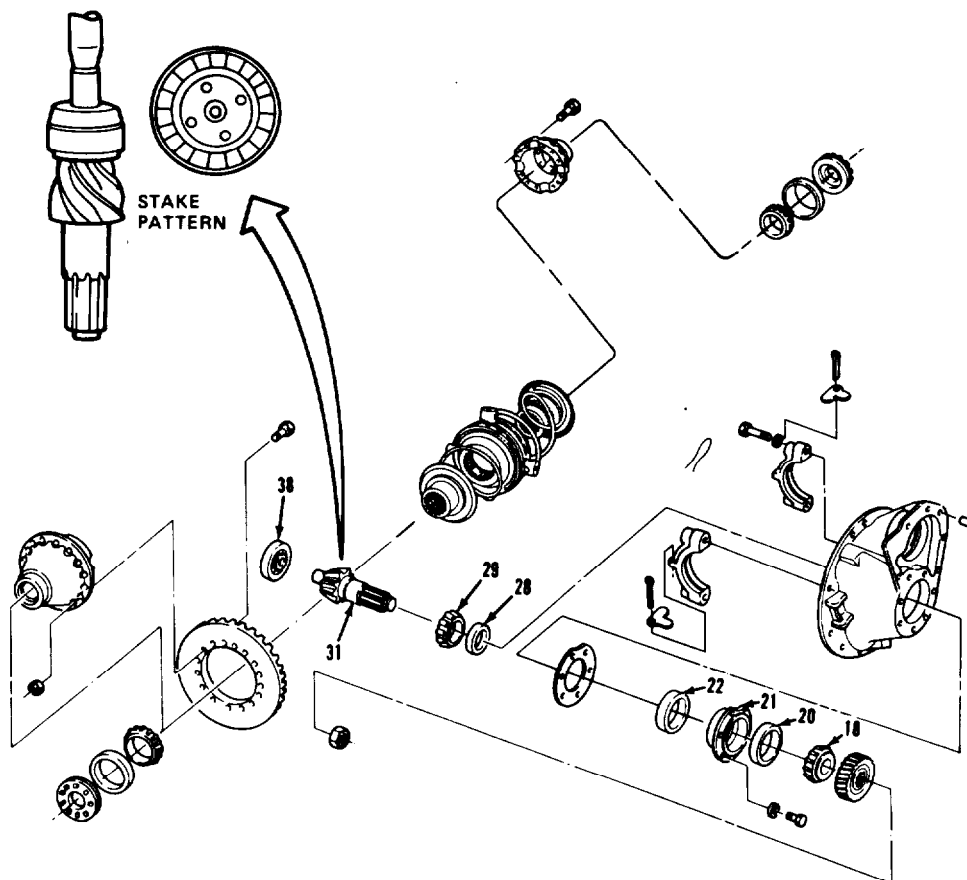
TA 238369

REAR TANDEM AXLES.

3-70. FORWARD-REAR AXLE CARRIER REPAIR (Continued).		
LOCATION/ITEM	ACTION	REMARKS
C. ASSEMBLY (Continued).		
37. New cups (20) and (22).	Install in proper location of item (21) using a suitable bearing sleeve and hydraulic press.	Make certain items (20) and (22) bottom in item (21).
<u>CAUTION</u>		
Before complete reassembly of the drive pinion, the correct pinion bearing spacer will have to be determined after installation of pilot bearing and pinion bearing cone. Refer to step 52 for trial build-up and step 53 for final pinion bearing preload test to determine the correct size of spacer to be used.		
38. New bearing (38).	Install onto end of item (31) using suitable bearing sleeve and hydraulic press.	Stake item (38) as shown using staking tool.
39. New cone (29).	Install onto item (31) using suitable bearing sleeve and hydraulic press.	Make certain item (29) bottoms on item (31).
40. Spacer (28).	Install onto item (31).	Items (28) are available in thirty-six different sizes. Use the correct size as determined in steps 52 and 53.
41. Cage (21).	Install onto item (31) using suitable hydraulic press.	
42. New cone (18).	Install into front of item (21).	
<u>CAUTION</u>		
After installation of outer bearing cone, make a final check of pinion bearing preload. Refer to step 53.		

REAR TANDEM AXLES.

3-70. FORWARD-REAR AXLE CARRIER REPAIR (Continued).



LEGEND:

- 18. OUTER PINION BEARING CONE
- 20. OUTER PINION BEARING CUP
- 21. BEARING CAGE
- 22. INNER PINION BEARING CUP
- 28. PINION BEARING SPACER
- 29. INNER PINION BEARING CONE
- 31. DRIVE PINION
- 38. PINION PILOT BEARING

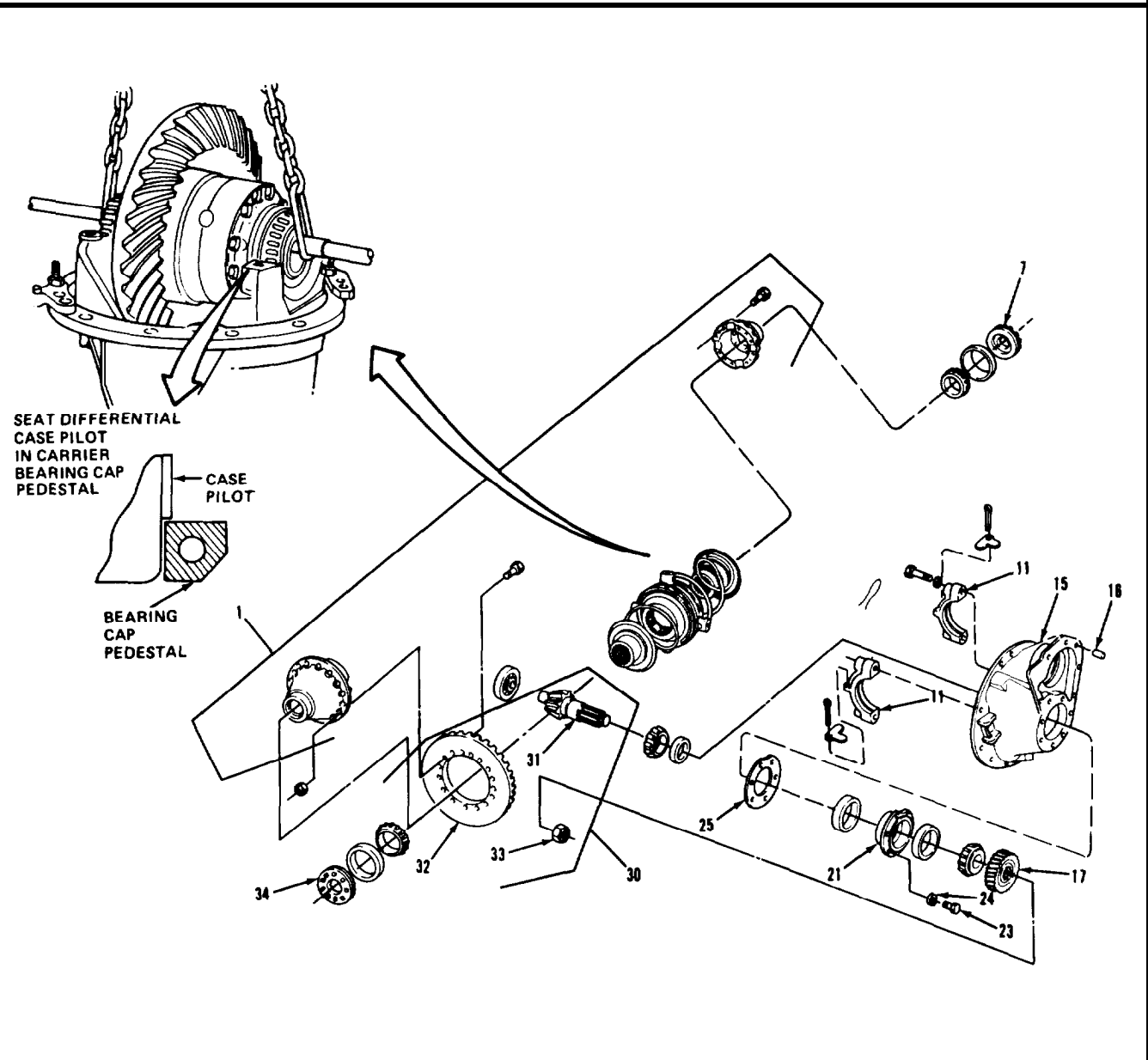
TA 238370

REAR TANDEM AXLES.

3-70. FORWARD-REAR AXLE CARRIER REPAIR (Continued).		
LOCATION/ITEM	ACTION	REMARKS
C. ASSEMBLY (Continued).		
NOTE		
<p>If ring gear and drive pinion assembly are to be reused, install the same amount and size of shims removed during disassembly. When installing a new ring gear and drive pinion assembly, use a nominal shim pack of 0.029 inch.</p>		
43. Shims (25).	Place on item (15) and make certain lube hole is clear.	Items (25) are available in five different sizes. The total number and sizes will be determined during adjustment.
44. Assembled cage (21).	Install into item (15).	
45. Six screws (23) and lockwashers (24).	Install in item (21) and torque to 155-175 lb-ft.	Items (23) and assembled item (21) may have to be removed during final adjustment for changing shims.
46. Gear (17).	Install on item (31) using suitable installation tool.	
47. Nut (33).	Install on item (31) and torque to 780-960 lb-ft.	
48. Gear (32) and differential wheel cage assembly (1).	Install into item (15).	During installation, tilt item (30) to allow differential case pilot to mesh properly with edge of bearing cap pedestal as shown.
49. Two cups (6) and (35), adjusters (7) and (34), and caps (11).	Install in item (15).	Make certain punch marks are properly aligned and threads of items (7) and (34) are not cross threaded with item (11).

REAR TANDEM AXLES.

3-70. FORWARD-REAR AXLE CARRIER REPAIR (Continued).



LEGEND:

- | | |
|-------------------------------------|---|
| 1. DIFFERENTIAL WHEEL CAGE ASSEMBLY | 24. LOCKWASHER (6) |
| 7. DIFFERENTIAL BEARING ADJUSTER | 25. PINION BEARING CAGE SHIM |
| 11. BEARING CAP (2) | 30. RING GEAR AND DRIVE PINION ASSEMBLY |
| 15. FORWARD CARRIER | 31. DRIVE PINION |
| 16. CARRIER COVER DOWEL PIN | 32. RING GEAR |
| 17. HELICAL PINION GEAR | 33. PINION NUT |
| 21. BEARING CAGE | 34. DIFFERENTIAL BEARING ADJUSTER |
| 23. SCREW (6) | |

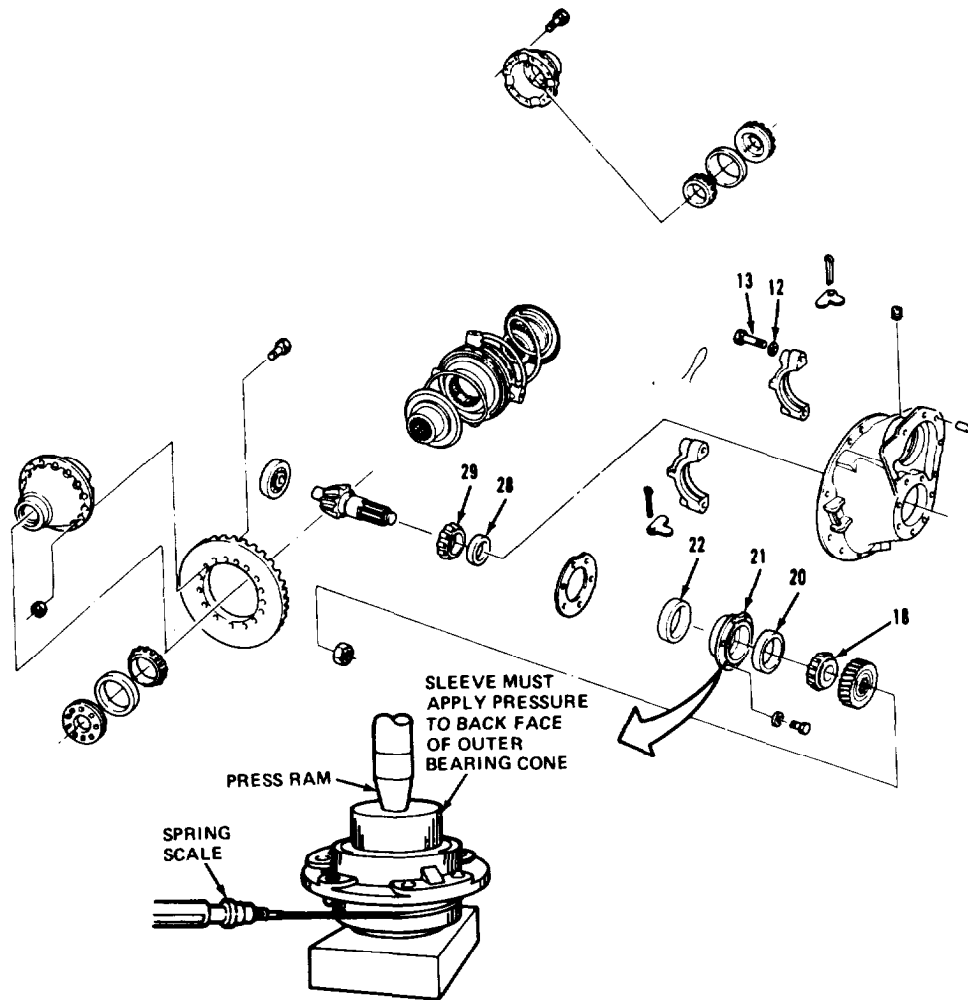
TA 238371

REAR TANDEM AXLES.

3-70. FORWARD-REAR AXLE CARRIER REPAIR (Continued).		
LOCATION/ITEM	ACTION	REMARKS
C. ASSEMBLY (Continued).		
<u>CAUTION</u>		
Do not torque the four drilled hex screws until all adjustments have been made.		
50. Four screws (13) and washers (12).	Install and tighten finger tight. If necessary use a hand wrench, but do not tighten.	Refer to steps 54 and 55 under Adjustment for Setting Differential Preload and ring gear backlash.
D. ADJUSTING PINION BEARING PRELOAD.		
<u>CAUTION</u>		
Once correct pinion bearing preload has been established note the pinion bearing spacer size used. Select a pinion bearing spacer 0.001 inch larger for use in the final pinion bearing cage assembly.		
<u>NOTE</u>		
When a new gear set or pinion bearings are used, use a bearing spacer with a thickness of 0.638 inch. If original parts are used, use bearing spacer removed during disassembly.		
51. Assembled cage (21).	For trial build-up of pinion bearing preload test, adjust as follows: a. Place assembled item (21) in press. Position sleeve so that load is applied directly to the back face of item (18) as shown.	Item (21) should be assembled with items (20), (22), (18), (29), and correct (28).

REAR TANDEM AXLES.

3-70. FORWARD-REAR AXLE CARRIER REPAIR (Continued).



LEGEND:

- 12. FLAT WASHER (4)
- 13. DRILLED HEX HEAD SCREW (4)
- 18. OUTER PINION BEARING CONE
- 20. OUTER PINION BEARING CUP
- 21. BEARING CAGE
- 22. INNER PINION BEARING CUP
- 28. PINION BEARING SPACER
- 29. INNER PINION BEARING CONE

TA 238372

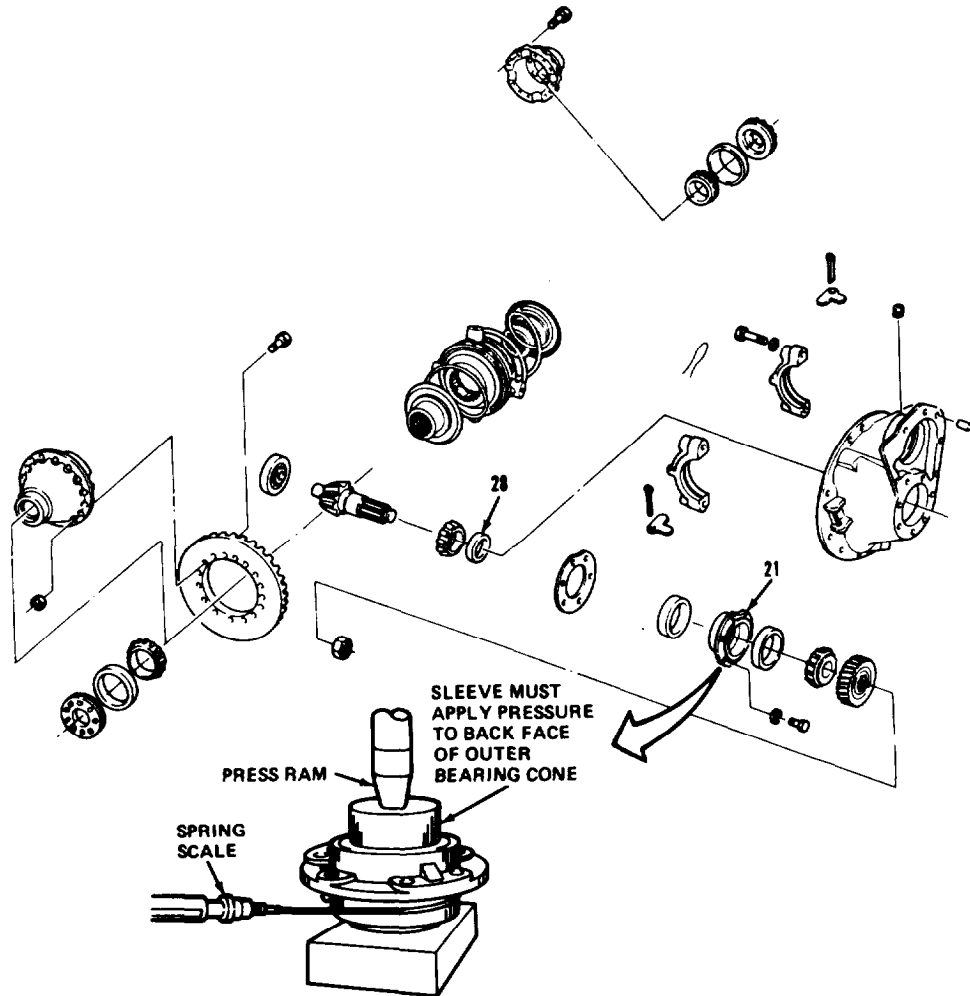
REAR TANDEM AXLES.

3-70. FORWARD-REAR AXLE CARRIER REPAIR (Continued).

LOCATION/ITEM	ACTION	REMARKS
D. ADJUSTING PINION BEARING PRELOAD.		
51. Assembled cage (21) (continued).	For trial build-up of pinion bearing preload test, adjust as follows (continued):	
	b. Apply hydraulic press load of 13.5 to 15.5 tons to assembled item (21).	
	c. Wrap soft wire around assembled item (21) and attach a spring scale as shown.	
	d. Pull spring scale. Pre-load is correct when torque required to rotate assembled item (21) is from 10-20 lb-in..	If necessary, adjust pinion bearing preload by changing item (28). A thicker item (28) will decrease preload. A thinner item (28) will increase preload.
<u>CAUTION</u>		
After adjusting pinion bearing preload without drive pinion a final preload test must be made. Proceed to step 52 for adjustments with drive pinion installed in bearing cage assembly.		
<u>NOTE</u>		
Drive pinion and pinion pilot bearing must be installed in bearing cage assembly for final bearing preload test.		

REAR TANDEM AXLES.

3-70. FORWARD-REAR AXLE CARRIER REPAIR (Continued).



LEGEND:

- 21. BEARING CAGE
- 28. PINION BEARING SPACER

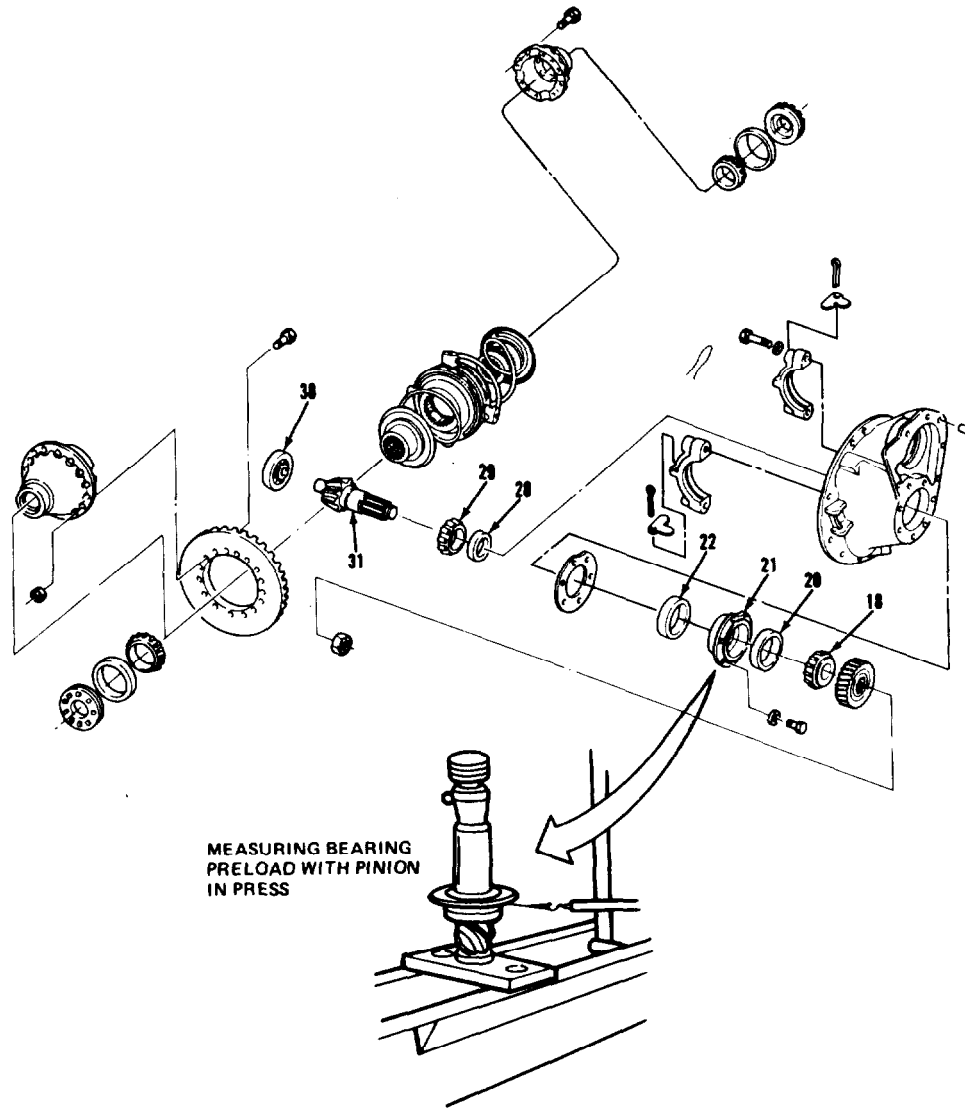
TA 238373

REAR TANDEM AXLES.

3-70. FORWARD-REAR AXLE CARRIER REPAIR (Continued).		
LOCATION/ITEM	ACTION	REMARKS
D. ADJUSTING PINION BEARING PRELOAD (Continued).		
52. Assembled bearing cage (21).	For final pinion bearing preload test, adjust as follows:	Item (21) should be assembled with items (20), (22), (19), (29), (38), (31), and correct item (28).
	a. Place assembled item (21) with a suitable sleeve or spacer so that load is applied directly to the back face of item (18) as shown.	
	b. Apply hydraulic press load of 13.5 to 15.5 tons to assembled item (21).	
	c. Wrap soft wire around assembled item (21) and attach a spring scale as shown.	
	d. Pull spring scale. Preload is correct when torque required to rotate the assembled item (21) is from 15-35 lb-in..	If necessary, adjust pinion bearing preload by changing item (28). A thicker item (28) will decrease preload. A thinner item (28) will increase preload.

REAR TANDEM AXLES.

3-70. FORWARD-REAR AXLE CARRIER REPAIR (Continued).



LEGEND:

- 18. OUTER PINION BEARING CONE
- 20. OUTER PINION BEARING CUP
- 21. BEARING CAGE
- 22. INNER PINION BEARING CUP
- 28. PINION BEARING SPACER
- 29. INNER PINION BEARING CONE
- 31. DRIVE PINION
- 38. PINION PILOT BEARING

TA 238374

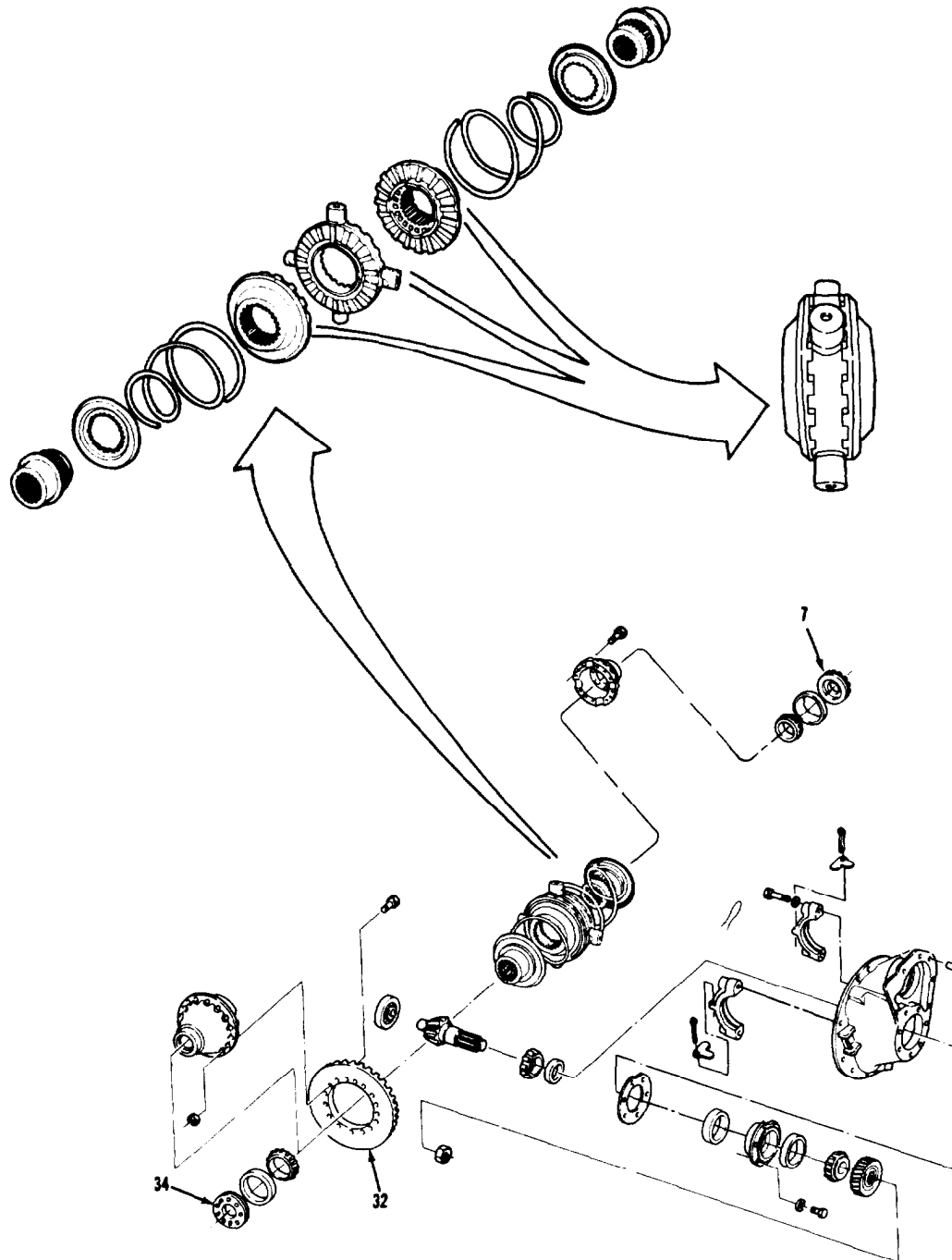
REAR TANDEM AXLES.

3-70. FORWARD-REAR AXLE CARRIER REPAIR (Continued).

LOCATION/ITEM	ACTION	REMARKS
E. ADJUSTING DIFFERENTIAL PRELOAD.		
53. Adjusters (7) and (34).	Adjust differential preload as follows:	Tightening preloads the bearings, and provides proper gear backlash.
	a. Loosen item (7) on same side as ring gear teeth until its first thread is visible.	
	b. Tighten item (34) on other side until there is no backlash.	This can be tested by facing item (32) and pushing item (32) away from the body while gently rocking item (32) from side to side. There should be no free movement.
	c. Rotate item (32) and check for any point where item (32) may bind. If such a point exists, loosen and retighten item (34). Make all further adjustments from the point of tightest mesh.	

REAR TANDEM AXLES.

3-70. FORWARD-REAR AXLE CARRIER REPAIR (Continued).



LEGEND:

- 7. DIFFERENTIAL BEARING ADJUSTER
- 32. RING GEAR
- 34. DIFFERENTIAL BEARING ADJUSTER

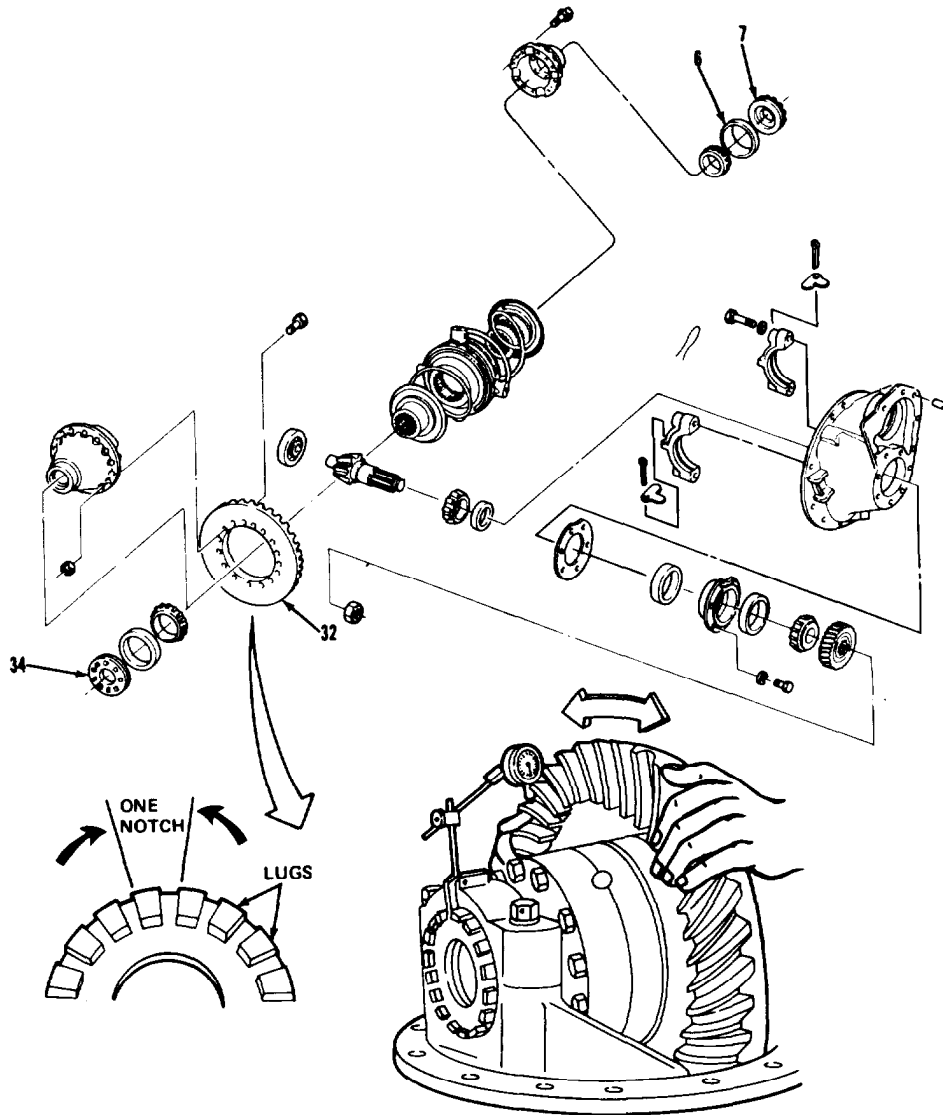
TA 238375

REAR TANDEM AXLES.

3-70. FORWARD-REAR AXLE CARRIER REPAIR (Continued).		
LOCATION/ITEM	ACTION	REMARKS
F. ADJUSTING RING GEAR BACKLASH.		
54. Adjusters (7) and (34).	Adjust ring gear backlash as follows:	
	a. Loosen item (34) one notch.	One notch is the movement of the lead edge of one adjuster lug to the lead edge of the next lug post at a preselected point as shown.
	b. Tighten item (7) on the teeth side of item (32) until it contacts item (6).	Contact is felt in the form of increased resistance to item (7) movement.
NOTE		
Backlash specifications are for new ring gear and drive pinion assemblies only. Reset used gearing to backlash recorded before disassembly.		
	c. Mount dial indicator as shown. Tighten item (7) two or three notches and check item (32) backlash.	Backlash should be between 0.006 and 0.016.
	d. To add backlash loosen item (34) on back face side of item (32) one notch at a time. Tighten item (7) on opposite side until it contacts item (6). Continue to tighten the same item (7) two or three notches.	

REAR TANDEM AXLES.

3-70. FORWARD-REAR AXLE CARRIER REPAIR (Continued).



LEGEND:

- 6. DIFFERENTIAL BEARING CUP
- 7. DIFFERENTIAL BEARING ADJUSTER
- 32. RING GEAR
- 34. DIFFERENTIAL BEARING ADJUSTER

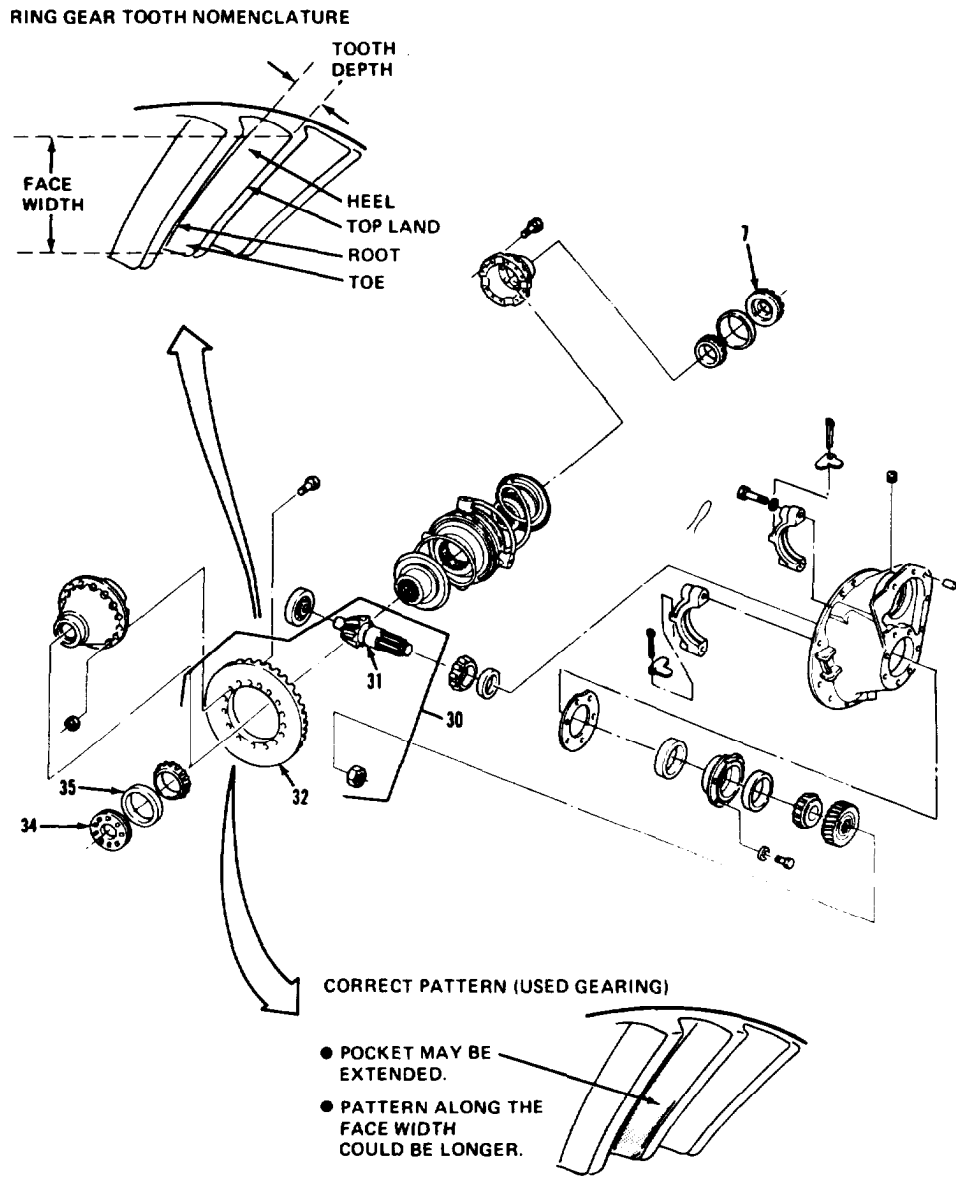
TA 238376

REAR TANDEM AXLES.

3-70. FORWARD-REAR AXLE CARRIER REPAIR (Continued),		
LOCATION/ITEM	ACTION	REMARKS
F. ADJUSTING RING GEAR BACKLASH (Continued).		
54. Adjusters (7) and (34) (continued).	Adjust ring gear backlash as follows (continued): e. To remove backlash loosen item (7) on the teeth side of item (32) one notch at a time. Tighten the opposite item (34) until it contacts item (35). Continue to tighten the same item (34) two or three notches. Recheck backlash.	
G. RING GEAR AND PINION TOOTH CONTACT.		
55. Gear (32).	Coat nine teeth on item (32) with marking compound.	This represents the total number of teeth on item (31).
56. Used ring gear and drive pinion assembly (30).	Used item (30) tooth contact should show as follows: a. Used item (30) will have a pocket at the toe-end of the gear tooth which tails into a contact line along the root of tooth. b. A correct pattern is clear of the toe and centers evenly along the face width between the top land and root.	Roll item (32) to obtain a contact pattern. Refer to illustration for item (32) tooth nomenclature and correct tooth pattern. The length and shape of the pattern are considered acceptable as long as it does not run off the tooth at any point.

REAR TANDEM AXLES.

3-70. FORWARD-REAR AXLE CARRIER REPAIR (Continued).



LEGEND:

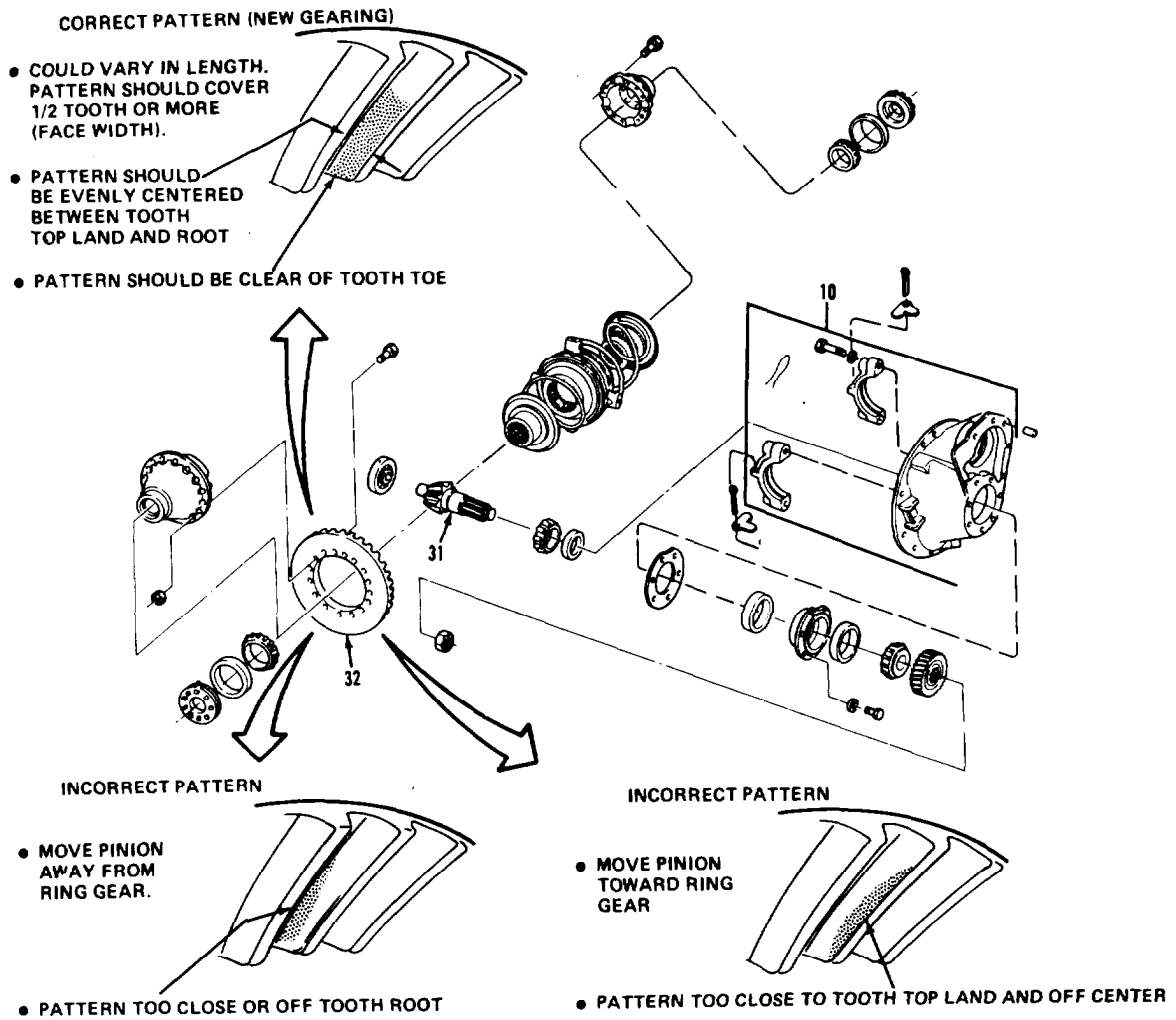
- 7. DIFFERENTIAL BEARING ADJUSTER
- 30. RING GEAR AND DRIVE PINION ASSEMBLY
- 31. DRIVE PINION
- 32. RING GEAR
- 34. DIFFERENTIAL BEARING ADJUSTER
- 35. DIFFERENTIAL BEARING CUP

REAR TANDEM AXLES.

3-70. FORWARD-REAR AXLE CARRIER REPAIR (Continued).		
LOCATION/ITEM	ACTION	REMARKS
G. RING GEAR AND PINION TOOTH CONTACT (Continued).		
57. New ring gear and drive pinion assembly (30).	New item (30) tooth contact should show the following: a. The pattern is well centered on the tooth of item (32) with lengthwise contact clear of the toe. b. The length of the pattern in an unloaded condition is approximately one-half to two-thirds of the tooth of item (32).	Roll item (32) to obtain a contact pattern. Refer to illustration for item (32) tooth nomenclature and correct tooth patterns.
H. ADJUSTING TOOTH CONTACT PATTERN.		
<p style="text-align: center;">NOTE</p> <ul style="list-style-type: none"> •Ring gear backlash controls the ring gear position. This adjustment moves the contact pattern along the face width of the ring gear tooth. Pinion position is determined by the size of the pinion bearing cage shim pack. It controls contact on the tooth depth of the ring gear tooth. •When making adjustments, first adjust the drive pinion, then the backlash. Continue this method, until the pattern is correct. •Check ring gear backlash after each shim change and adjust if necessary to maintain the. 0.006 to 0.016 inch for new ring and pinion gears. 		

REAR TANDEM AXLES.

3-70. FORWARD-REAR AXLE CARRIER REPAIR (Continued).



LEGEND:

- 30. RING GEAR AND DRIVE PINION ASSEMBLY.
- 32. RING GEAR

TA 23837I

REAR TANDEM AXLES.

3-70. FORWARD-REAR AXLE CARRIER REPAIR (Continued).

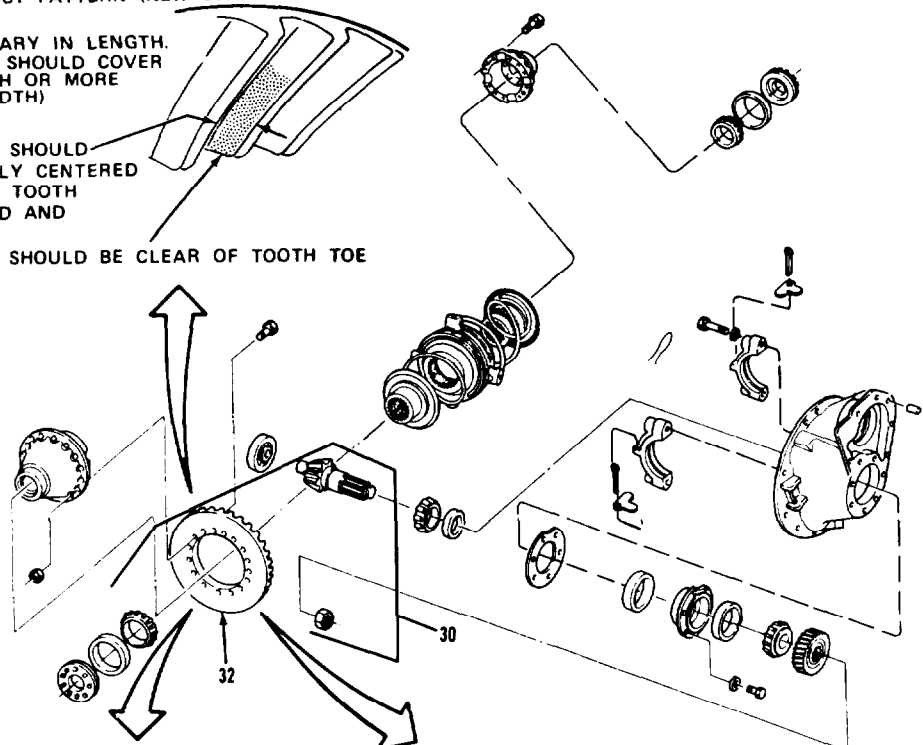
LOCATION/ITEM	ACTION	REMARKS
H. ADJUSTING TOOTH CONTACT PATTERN (Continued).		
58. Pinion (31).	<p>Refer to illustrations and adjust item (31) position as follows:</p> <ul style="list-style-type: none"> a. If item (32) tooth pattern is too close to the top land, move item (31) toward item (32) by removing shims. b. If item (32) tooth pattern is too close to the root of the tooth, move item (31) away from item (32) by adding shims. 	Refer to steps 20 and 45 for shim removal and installation.

REAR TANDEM AXLES.

3-70. FORWARD-REAR AXLE CARRIER REPAIR (Continued).

CORRECT PATTERN (NEW GEARING)

- COULD VARY IN LENGTH. PATTERN SHOULD COVER 1/2 TOOTH OR MORE (FACE WIDTH)
- PATTERN SHOULD BE EVENLY CENTERED BETWEEN TOOTH TOP LAND AND ROOT.
- PATTERN SHOULD BE CLEAR OF TOOTH TOE



INCORRECT PATTERN

- MOVE PINION AWAY FROM RING GEAR.
- PATTERN TOO CLOSE OR OFF TOOTH ROOT

INCORRECT PATTERN

- MOVE PINION TOWARD RING GEAR
- PATTERN TOO CLOSE TO TOOTH TOP LAND AND OFF CENTE

LEGEND:

- 10. DIFFERENTIAL ASSEMBLY
- 31. DRIVE PINION
- 32. RING GEAR

REAR TANDEM AXLES.

3-70. FORWARD-REAR AXLE CARRIER REPAIR (Continued).		
LOCATION/ITEM	ACTION	REMARKS
H. ADJUSTING TOOTH CONTACT PATTERN (Continued).		
59. Adjusters (7) and (34).	<p>Refer to illustrations and adjust backlash if contact patterns are similar to illustrations.</p> <p>a. If pattern is too far off tooth toe, add backlash by loosening item (34) on the back face side of item (32) one notch at a time. Tighten the other item (7) until it contacts item (6). Continue to tighten item (7) two or three notches. Recheck backlash.</p> <p>b. If pattern is too far toward tooth heel, remove backlash by loosening item (7) on the tooth side of item (32) one notch at a time. Tighten the opposite item (34) until it contacts item (35). Continue to tighten the same item (34) two or three notches. Recheck backlash.</p>	

REAR TANDEM AXLES.

3-70. FORWARD-REAR AXLE CARRIER REPAIR (Continued).

INCORRECT PATTERN

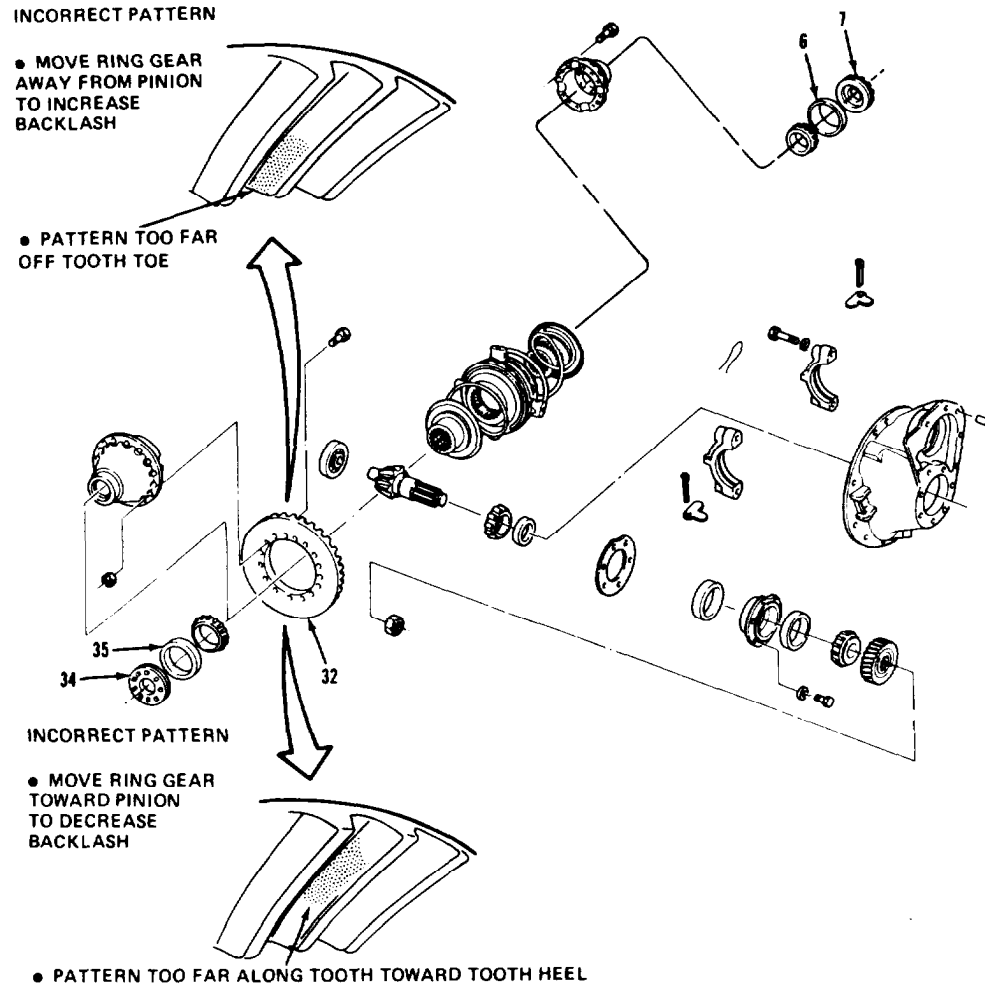
- MOVE RING GEAR AWAY FROM PINION TO INCREASE BACKLASH

- PATTERN TOO FAR OFF TOOTH TOE

INCORRECT PATTERN

- MOVE RING GEAR TOWARD PINION TO DECREASE BACKLASH

- PATTERN TOO FAR ALONG TOOTH TOWARD TOOTH HEEL



LEGEND:

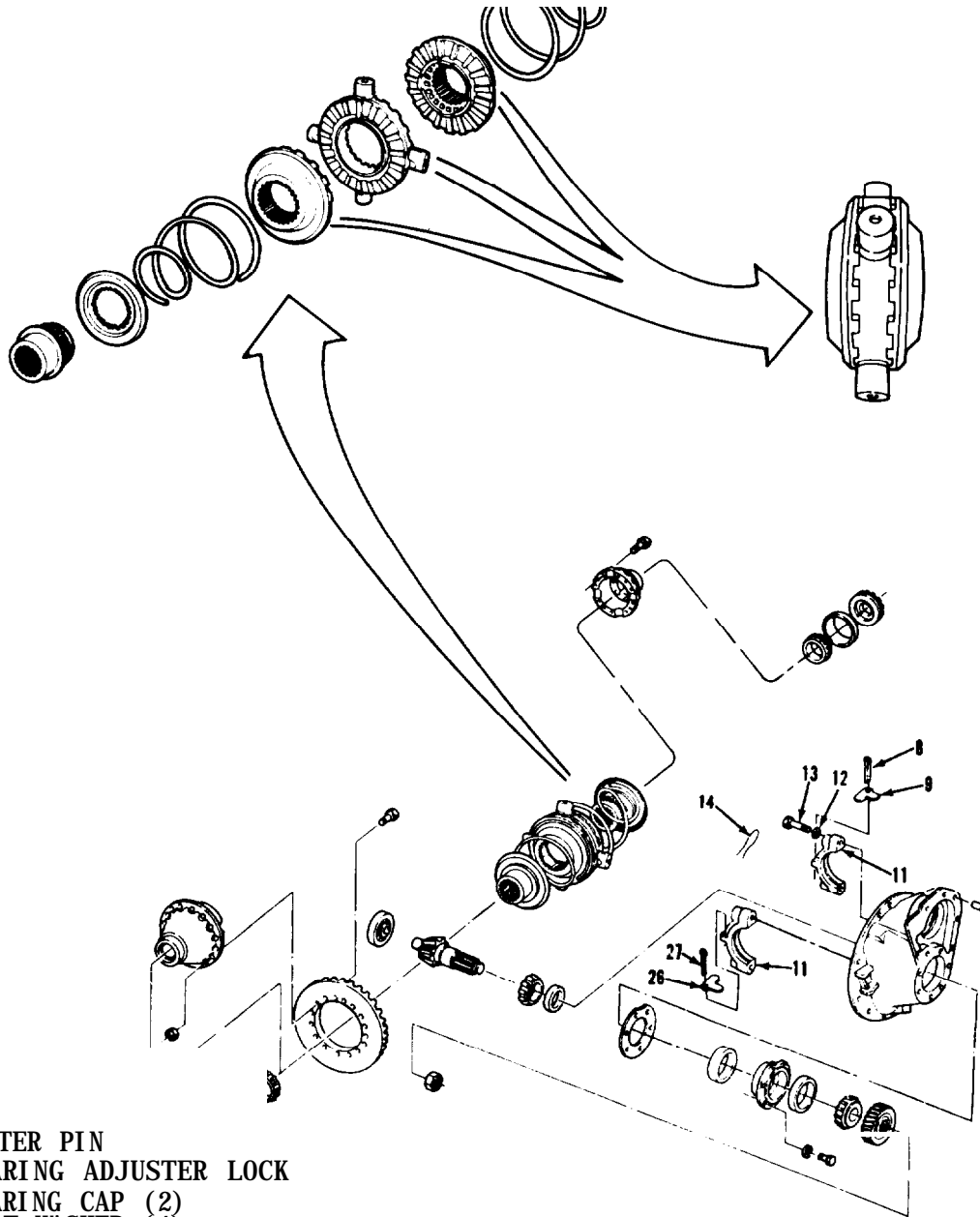
- 6. DIFFERENTIAL BEARING CUP
- 7. DIFFERENTIAL BEARING ADJUSTER
- 32. RING GEAR
- 34. DIFFERENTIAL BEARING ADJUSTER
- 35. DIFFERENTIAL BEARING CUP

REAR TANDEM AXLES.

3-70. FORWARD-REAR AXLE CARRIER REPAIR (Continued).		
LOCATION/ITEM	ACTION	REMARKS
I. FINAL ASSEMBLY.		
60. Four screws (13) and washer (12).	Torque to 360-440 lb-ft.	
61. Two locks (9) and (26), and new pins (8) and (27).	Install on items (11).	
62. Four new lockwires (14).	Install in items (13) on each item (11).	
NOTE		
Follow-on maintenance action required:		
Install differential cover (para 3-67).		
Install forward differential carrier in housing (para 3-69).		

REAR TANDEM AXLES.

3-70. FORWARD-REAR AXLE CARRIER REPAIR (Continued).



LEGEND:

- 8. COTTER PIN
- 9. BEARING ADJUSTER LOCK
- 11. BEARING CAP (2)
- 12. FLAT WASHER (4)
- 13. DRILLED HEX HEAD SCREW (4)
- 14. LOCKWIRE (4)
- 26. BEARING ADJUSTER LOCK
- 27. COTTER PIN

REAR TANDEM AXLES.

3-71. DIFFERENTIAL LOCKOUT REPLACEMENT AND REPAIR.

THIS TASK COVERS:

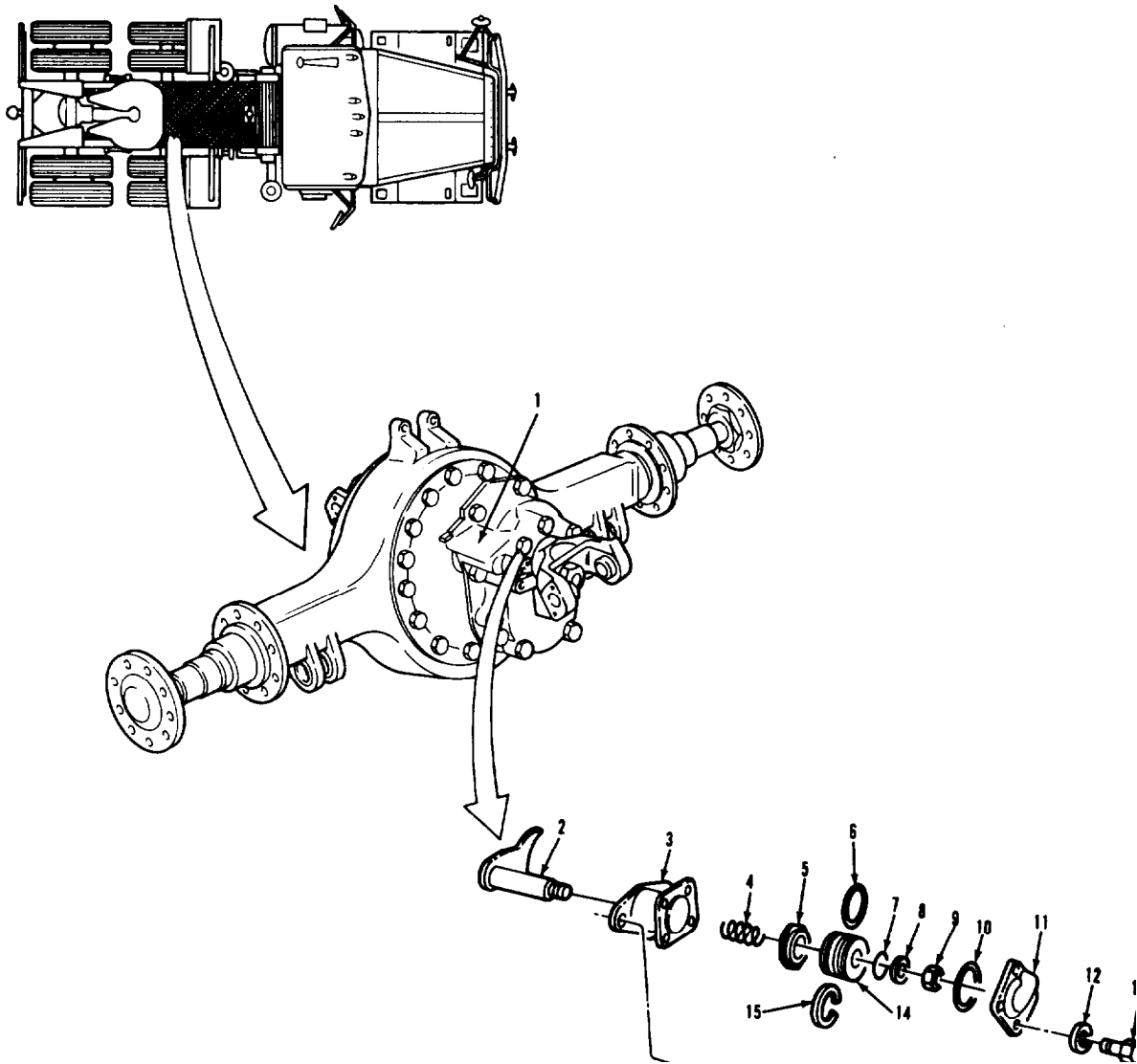
- a. Disassembly.
- b. Cleaning.
- c. Inspection.
- d. Assembly.

INITIAL SETUP

<u>APPLICABLE CONFIGURATIONS</u>	<u>EQUIPMENT CONDITION PARAGRAPH</u>	<u>CONDITION DESCRIPTION</u>
All.	TM 9-2320-283-20	Air line to differential lockout disconnected.
 <u>TEST EQUIPMENT</u>		
None.	TM 9-2320-283-10.	Air system draincocks opened.
 <u>SPECIAL TOOLS</u>		
None.		
 <u>MATERIALS/PARTS (P/N)</u>		
Sealant, silicone rubber Item 27, Appendix C.	Grommet, piston (52304) 32832.	
Oil, lubricating: OE/HDO-30 Item 17, Appendix C.	Oiler, piston, felt (52304) 96916.	
Grommet, push rod (52304) 32826.	Grommet, cover (52304) 32831.	
 <u>PERSONNEL REQUIRED</u>	 <u>SPECIAL ENVIRONMENTAL CONDITIONS</u>	
One (MOS-63W).	Work area clean and away from blowing dirt and dust.	
 <u>REFERENCES (TM)</u>	 <u>GENERAL SAFETY INSTRUCTIONS</u>	
TM 9-2320-283-10. TM 9-2320-283-20. TM 9-2320-283-34P.	None.	
 <u>TROUBLESHOOTING REFERENCES</u>		
Paragraph 2-7.		

REAR TANDEM AXLES.

3-71. DIFFERENTIAL LOCKOUT REPLACEMENT AND REPAIR (Continued).



LEGEND:

- | | |
|-------------------------------|---------------------------|
| 1. DIFFERENTIAL CARRIER COVER | 10. COVER GROMMET |
| 2. SHIFT FORK | 11. BODY COVER |
| 3. SHIFT CYLINDER BODY | 12. LOCKWASHER (4) |
| 4. SPRING | 13. SCREW (4) |
| 5. PISTON STOP | 14. SHIFT CYLINDER PISTON |
| 6. PISTON GROMMET | 15. PISTON FELT OILER (2) |
| 7. PUSH ROD GROMMET | 16. SCREW (2) |
| 8. PUSH ROD WASHER | 17. LOCKWASHER (2) |
| 9. NUT | |

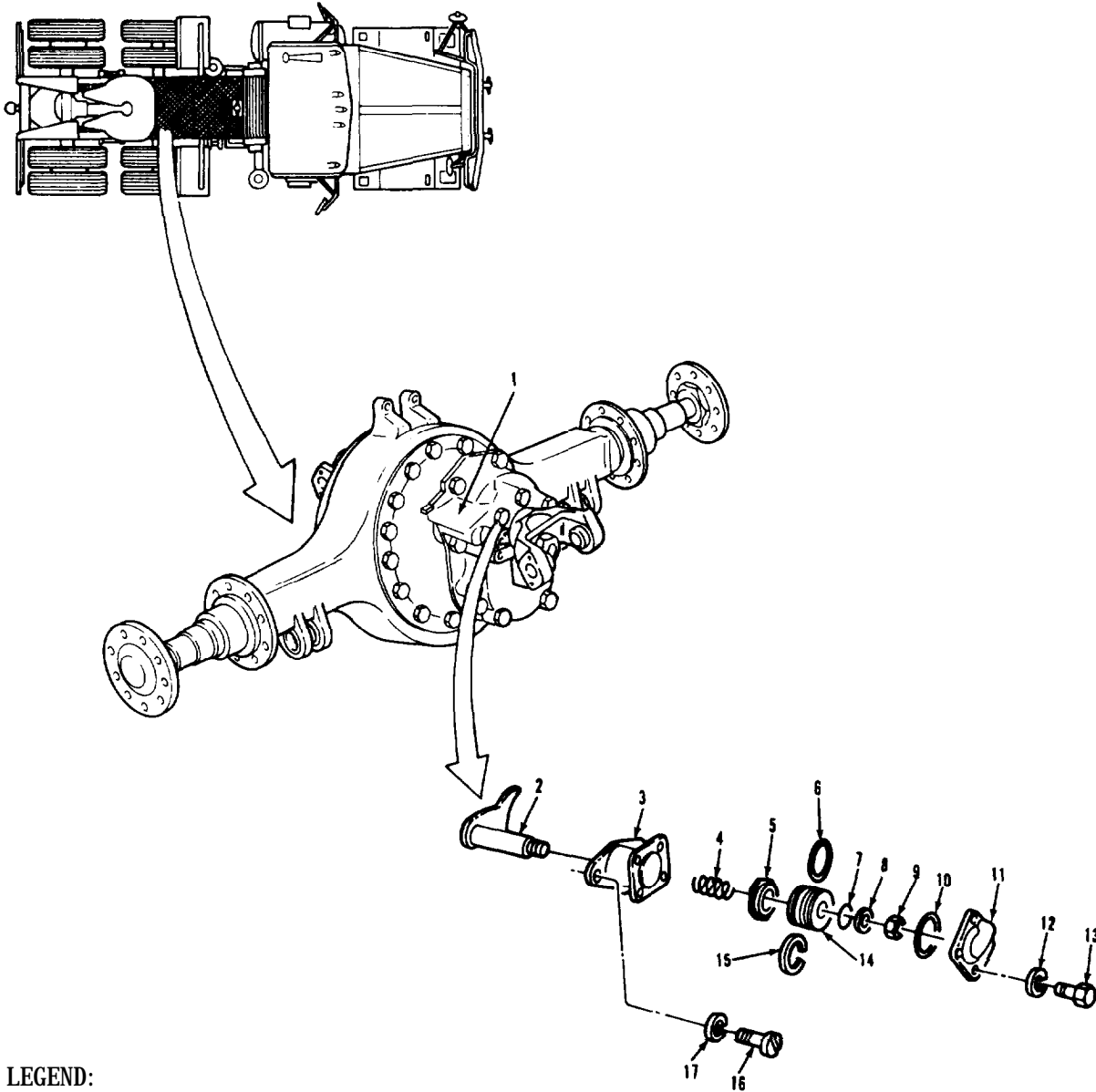
TA 238382

REAR TANDEM AXLES.

3-71. DIFFERENTIAL LOCKOUT REPLACEMENT AND REPAIR (Continued).		
LOCATION/ITEM	ACTION	REMARKS
NOTE		
To replace differential lockout as an assembly, it will be necessary to disassemble most of the lockout parts for removal from differential carrier cover.		
A. DISASSEMBLY.		
1. Four screws (13) and lockwashers (12).	Remove from item (11).	
2. Cover (11).	Remove from item (3) and discard item (10).	
3. Nut (9), washer (8), and grommet (7).	Remove from item (2) and discard item (7).	
4. Two screws (16) and lockwashers (17).	Remove from item (3).	
5. Body (3).	Remove from item (1).	
6. Piston (14), stop (5) and spring (4).	Remove from item (3).	When removing item (3) in step 5, item (4) may remain on item (2).
7. Grommet (6) and two oilers (15).	Remove from item (14) and discard items (15) and (6).	
NOTE		
The shift fork cannot be removed unless the differential carrier cover has been removed and disassembled.		

REAR TANDEM AXLES.

3-71. DIFFERENTIAL LOCKOUT REPLACEMENT AND REPAIR (Continued).



LEGEND:

- 1. DIFFERENTIAL CARRIER COVER
- 2. SHIFT FORK
- 3. SHIFT CYLINDER BODY
- 4. SPRING
- 5. PISTON STOP
- 6. PISTON GROMMET
- 7. PUSH ROD GROMMET
- 8. PUSH ROD WASHER
- 9. NUT

- 10. COVER GROMMET
- 11. BODY COVER
- 12. LOCKWASHER (4)
- 13. SCREW (4)
- 14. SHIFT CYLINDER PISTON
- 15. PISTON FELT OILER (2)
- 16. SCREW (2)
- 17. LOCKWASHER (2)

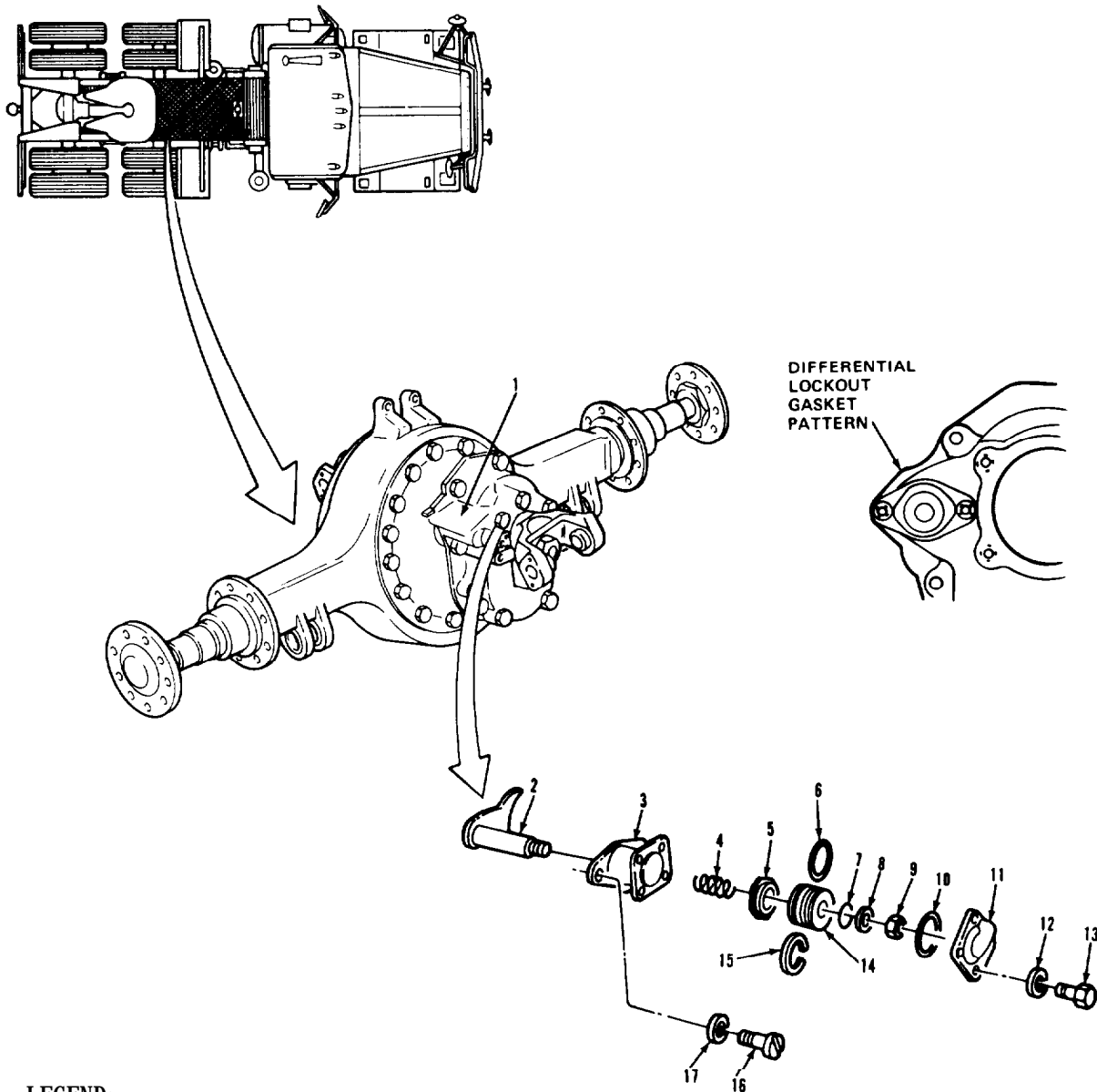
TA 238383

REAR TANDEM AXLES.

3-71. DIFFERENTIAL LOCKOUT REPLACEMENT AND REPAIR (Continued).		
LOCATION/ITEM	ACTION	REMARKS
B. CLEANING.		
8. All parts.	Clean.	Refer to paragraph 3-4.
C. INSPECTION.		
9. All parts.	Inspect.	Refer to paragraph 3-5.
D. ASSEMBLY.		
NOTE		
Before installing two new piston felt oilers, soak them in OE/HD0-30 lubricating oil for thirty minutes.		
10. Cover (1).	Apply silicone rubber gasket compound on mating surfaces as shown.	
11. Body (3).	Install on item (1).	
12. Two screws (16) and lockwashers (17).	Install on item (1) and torque to 48-56 lb-ft.	
13. New grommet (6) and two new presoaked oilers (15).	Install on item (14).	
14. stop (5).	Install into item (3).	
15. Spring (4).	Install over push rod of item (2).	

REAR TANDEM AXLES.

3-71. DIFFERENTIAL LOCKOUT REPLACEMENT AND REPAIR (Continued).



LEGEND:

- | | |
|-------------------------------|---------------------------|
| 1. DIFFERENTIAL CARRIER COVER | 10. COVER GROMMET |
| 2. SHIFT FORK | 11. BODY COVER |
| 3. SHIFT CYLINDER BODY | 12. LOCKWASHER (4) |
| 4. SPRING | 13. SCREW (4) |
| 5. PISTON STOP | 14. SHIFT CYLINDER PISTON |
| 6. PISTON GROMMET | 15. PISTON FELT OILER (2) |
| 7. PUSH ROD GROMMET | 16. SCREW (2) |
| 8. PUSH ROD WASHER | 17. LOCKWASHER (2) |
| 9. NUT | |

TA 238384

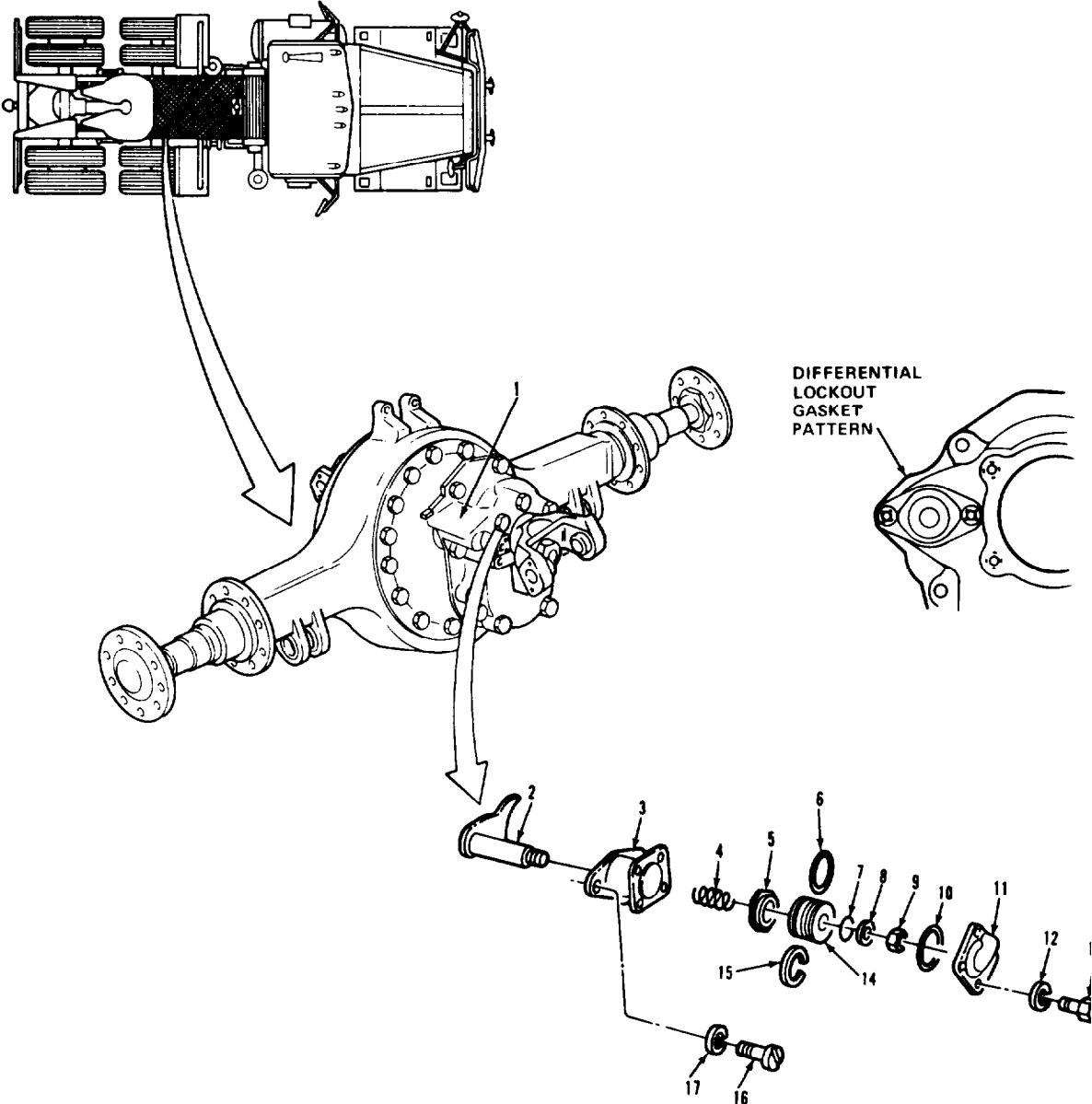
REAR TANDEM AXLES.

3-71. DIFFERENTIAL LOCKOUT REPLACEMENT AND REPAIR (Continued).

LOCATION/ITEM	ACTION	REMARKS
D. ASSEMBLY (Continued).		
16. Assembled piston (14).	Install into item (3).	
17. New grommet (7), washer (8), and nut (9).	Install on item (3) and torque to 20-26 lb-ft.	
18. New grommet (10).	Install on item (11).	
19. Cover (11).	Install on item (3).	
20. Four screws (13) and lockwashers (12).	Install on item (11) and torque to 96-108 lb-in.	
NOTE		
Follow-on maintenance action required:		
Install air line (TM 9-2320-283-20). Start vehicle, build air pressure, and check for leaks and proper lockout operation (TM 9-2320- 283-10).		

REAR TANDEM AXLES.

3-71. DIFFERENTIAL LOCKOUT REPLACEMENT AND REPAIR (Continued).



LEGEND:

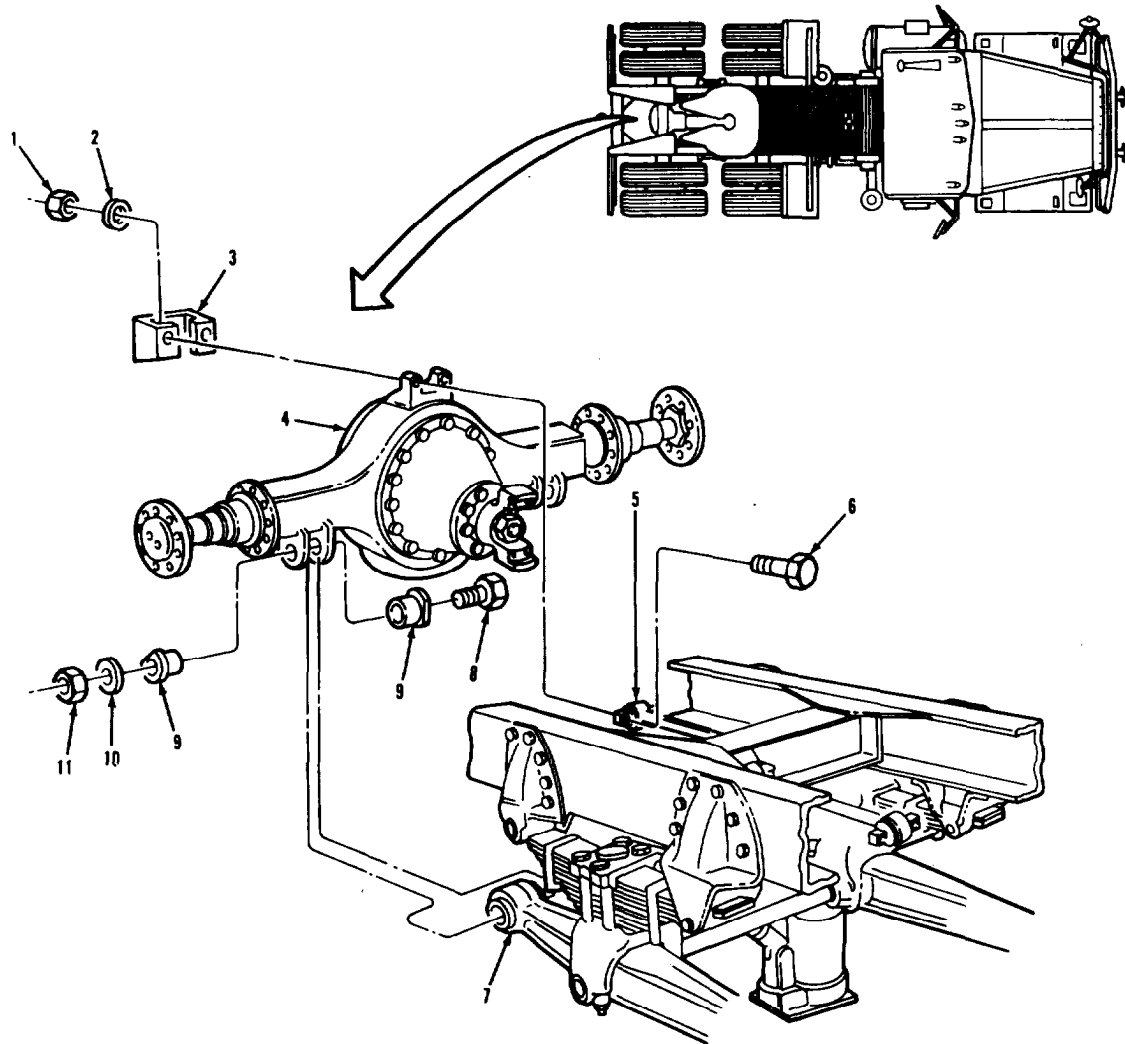
- | | |
|-------------------------------|---------------------------|
| 1. DIFFERENTIAL CARRIER COVER | 10. COVER GROMMET |
| 2. SHIFT FORK | 11. BODY COVER |
| 3. SHIFT CYLINDER BODY | 12. LOCKWASHER (4) |
| 4. SPRING | 13. SCREW (4) |
| 5. PISTON STOP | 14. SHIFT CYLINDER PISTON |
| 6. PISTON GROMMET | 15. PISTON FELT OILER (2) |
| 7. PUSH ROD GROMMET | 16. SCREW (2) |
| 8. PUSH ROD WASHER | 17. LOCKWASHER (2) |
| 9. NUT | |

REAR TANDEM AXLES.

3-72. REAR-REAR AXLE REPLACEMENT.		
<u>THIS TASK COVERS</u>		
<ul style="list-style-type: none"> a. Removal. b. Cleaning. c. Inspection. d. Installation. 		
<u>INITIAL SETUP</u>		
<u>APPLICABLE CONFIGURATIONS</u>	<u>EQUIPMENT CONDITION PARAGRAPH</u>	<u>CONDITION DESCRIPTION</u>
All.	TM 9-2320-283-10.	Air sytem draincocks opened.
<u>TEST EQUIPMENT</u>	TM 9-2320-283-10.	Rear mud flaps removed.
None.	TM 9-2320-283-20.	Brake assembly removed.
<u>SPECIAL TOOLS</u>	TM 9-2320-283-20.	Propeller shaft disconnected.
<u>MATERIALS/PARTS (P/N)</u>		
Grease, automotive and artillery Item 7, Appendix C.		
<u>PERSONNEL REQUIRED</u>	<u>SPECIAL ENVIRONMENTAL CONDITIONS</u>	
Two (MOS-63W).	Work area clean and away from blowing dirt and dust.	
<u>REFERENCES (TM)</u>	<u>GENERAL SAFETY INSTRUCTIONS</u>	
TM 9-2320-283-10. TM 9-2320-283-20.	Block front wheels.	
<u>TROUBLESHOOTING REFERENCES</u>		
Paragraph 2-7.		

REAR TANDEM AXLES.

3-72. REAR-REAR AXLE REPLACEMENT (Continued).



LEGEND:

- | | |
|---------------------------|-------------------------------|
| 1. HEX FLANGE NUT (2) | 7. EQUALIZER BEAM (2) |
| 2. WASHER (2) | 8. HEX HEAD SCREW (2) |
| 3. BRACKET | 9. BEAM END ADAPTER (4) |
| 4. REAR-REAR AXLE HOUSING | 10. PLAIN HARDENED WASHER (2) |
| 5. TORQUE ROD ASSEMBLY | 11. HEX HEAD NUT (2) |
| 6. HEX HEAD SCREW (2) | |

TA 238386

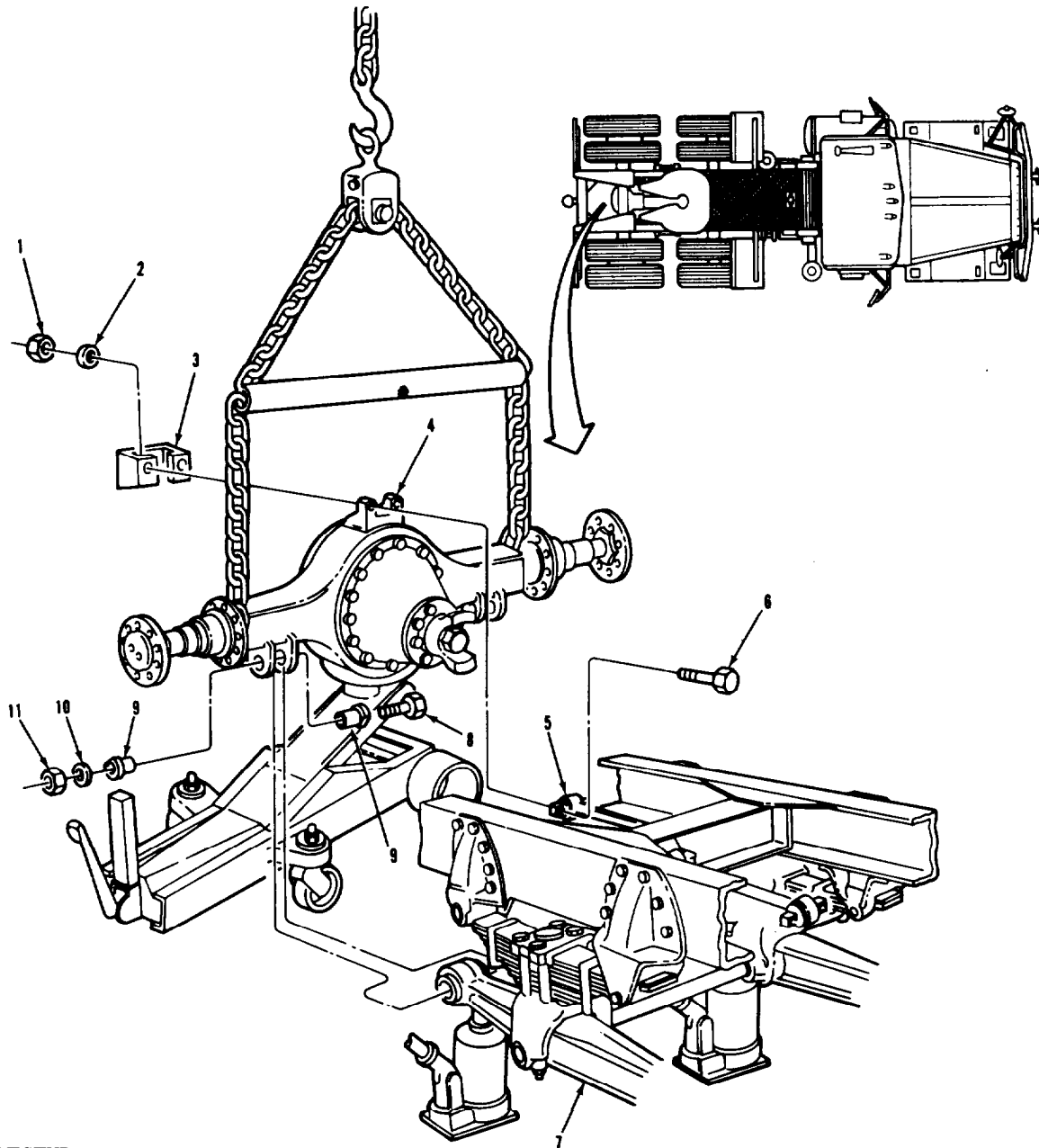
REAR TANDEM AXLES.

3-72. REAR-REAR AXLE REPLACEMENT (Continued).

LOCATION/ITEM	ACTION	REMARKS
A. REMOVAL.		
<u>CAUTION</u>		
<p>Position a hydraulic jack under each equalizer beam as shown in illustration. Raise each equalizer beam high enough to remove the weight from the beam end adapters. This will prevent the equalizer beams from dropping once the hex head screws have been removed.</p>		
1. Two screws (8), washers (10), and nuts (11).	Remove from items (9).	
2. Four adapters (9).	Remove from two brackets in item (4).	Use a flat chisel and hammer to pry out ' of item (4).
<u>CAUTION</u>		
<p>Position a floor jack under the rear-rear axle housing as shown in illustration to prevent it from dropping or tilting down. This will occur after the torque rod has been removed from the rear-rear axle housing.</p>		
3. Two nuts (1), washer (2), screws (6), and bracket (3).	Remove from items (4) and (5).	
4. Housing (4).	Remove from under frame.	Attach a floor crane to item (4) as shown. Slowly pull item (4) away from frame.

REAR TANDEM AXLES.

3-72. REAR-REAR AXLE REPLACEMENT (Continued).



LEGEND:

- | | |
|---------------------------|-------------------------------|
| 1. HEX FLANGE NUT (2) | 7. EQUALIZER BEAM (2) |
| 2. WASHER (2) | 8. HEX HEAD SCREW (2) |
| 3. BRACKET | 9. BEAM END ADAPTER (4) |
| 4. REAR-REAR AXLE HOUSING | 10. PLAIN HARDENED WASHER (2) |
| 5. TORQUE ROD ASSEMBLY | 11. HEX HEAD NUT (2) |
| 6. HEX HEAD SCREW (2) | |

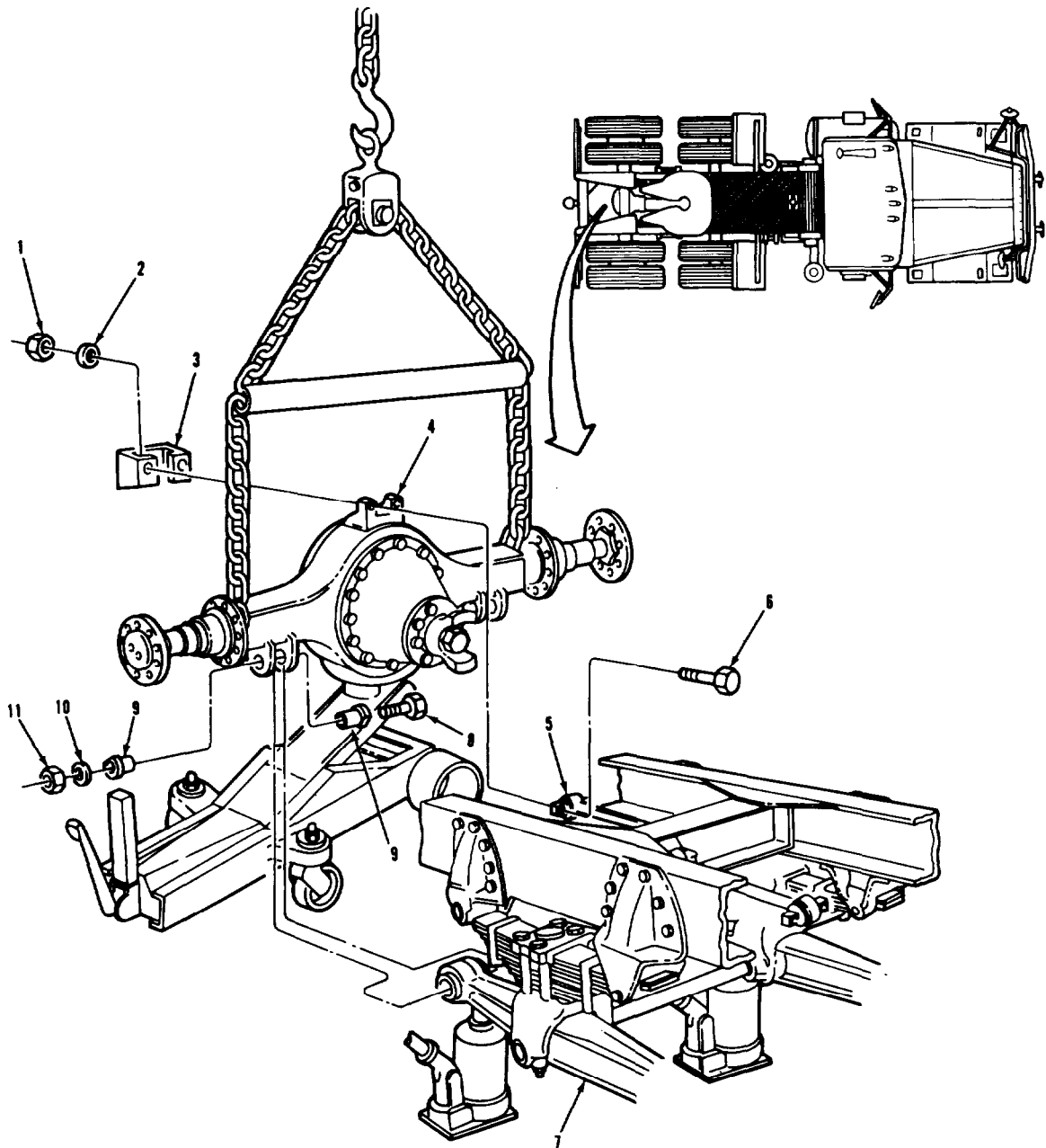
TA 238387

REAR TANDEM AXLES.

3-72. REAR-REAR AXLE REPLACEMENT (Continued).		
LOCATION/ITEM	ACTION	REMARKS
A. REMOVAL (Continued).		
4. Housing (4) (continued).		One assistant may be required to help remove item (4) from under frame. It will be necessary for the assistant to slide the chain from the sides of the frame while the floor crane is being pulled away. The floor jack may be removed from under the yoke of item (4). Do not remove the two hydraulic jacks from under item (7).
B. CLEANING.		
5. All parts.	Clean.	Refer to paragraph 3-4.
C. INSPECTION.		
6. All parts.	Inspect.	Refer to paragraph 3-5.
D. INSTALLATION.		
7. Housing (4).	Carefully position and install under frame.	Refer to step 4 for correct placement of floor crane and chain.
NOTE		
After axle housing has been carefully positioned under frame and onto equalizer beams, place a floor jack under yoke of axle housing and slowly raise front of axle housing so it rolls upward. This will help position the torque rod to the top of the axle housing supports.		

REAR TANDEM AXLES.

3-72. REAR-REAR AXLE REPLACEMENT (Continued).



LEGEND:

- | | |
|---------------------------|-------------------------------|
| 1. HEX FLANGE NUT (2) | 7. EQUALIZER BEAM (2) |
| 2. WASHER (2) | 8. HEX HEAD SCREW (2) |
| 3. BRACKET | 9. BEAM END ADAPTER (4) |
| 4. REAR-REAR AXLE HOUSING | 10. PLAIN HARDENED WASHER (2) |
| 5. TORQUE ROD ASSEMBLY | 11. HEX HEAD NUT (2) |
| 6. HEX HEAD SCREW (2) | |

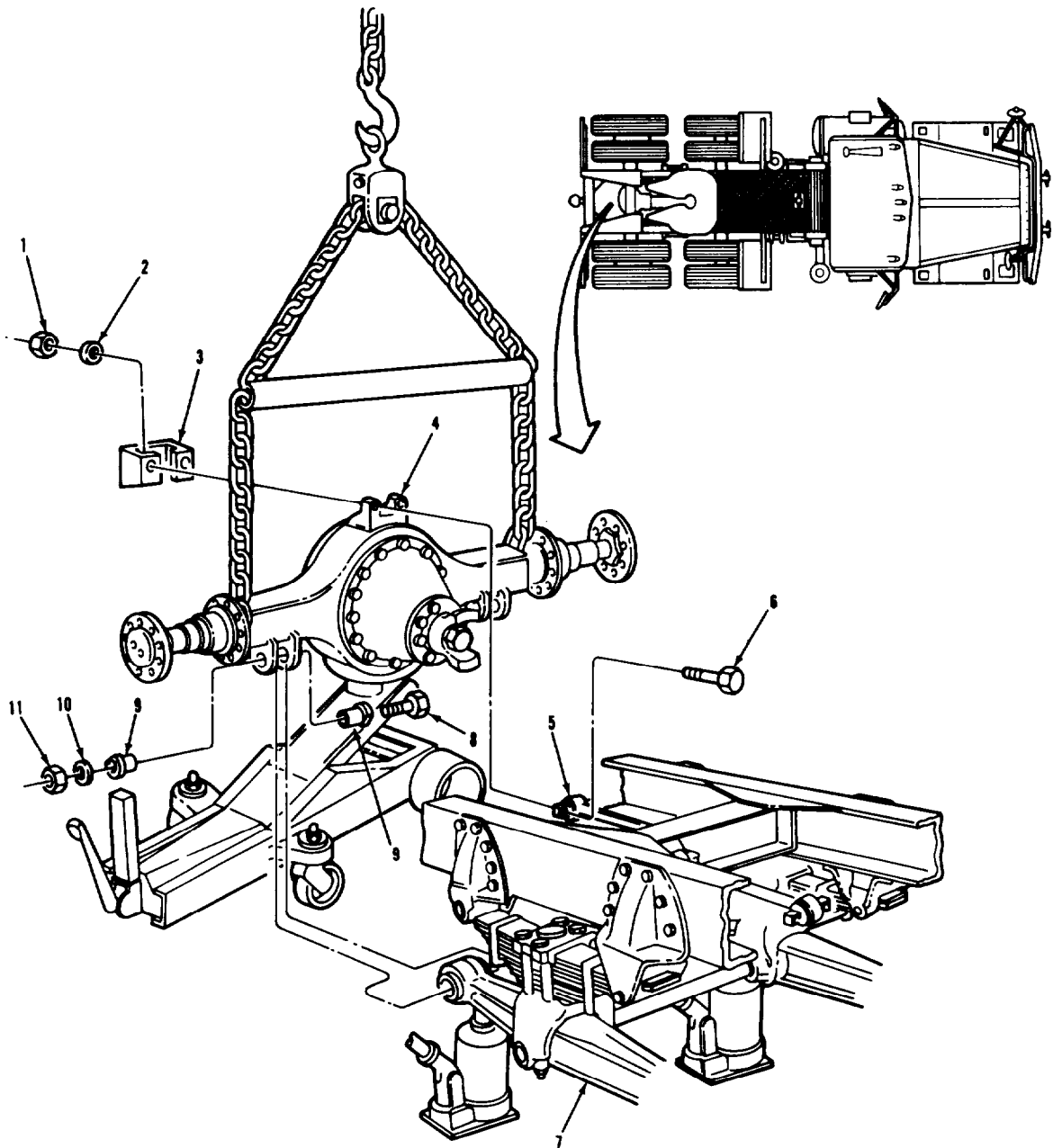
TA 238388

REAR TANDEM AXLES.

3-72. REAR-REAR AXLE REPLACEMENT (Continued).		
LOCATION/ITEM	ACTION	REMARKS
D. INSTALLATION (Continued).		
8. Torque rod assembly (5) and bracket (3).	Position onto top of item (4).	Use a drift punch to properly align the holes. Leave the drift punch in one of the holes.
9. Bracket (3), two screws (6) washers (2), and nuts (1).	Install into items (4) and (5). Torque two items (1) to 105 lb-ft.	
10. Four adapters (9).	Insert in support brackets of item (4).	Be sure flat side of item (9) is installed in the vertical position. Prelube the outside diameter of items (9) with grease for ease of insertion.
11. Two screws (8), washers (10), and nuts (11).	Install in item (9) and torque to 210-240 lb-ft.	
NOTE		
Follow-on maintenance action required:		
Connect propeller shaft (TM 9-2320-283-20).		
Install brake assembly (TM 9-2320-283-20).		
Install rear mud flaps (TM 9-2320-283-10).		

REAR TANDEM AXLES.

3-72. REAR-REAR AXLE REPLACEMENT (Continued).



LEGEND:

- | | |
|---------------------------|-------------------------------|
| 1. HEX FLANGE NUT (2) | 7. EQUALIZER BEAM (2) |
| 2. WASHER (2) | 8. HEX HEAD SCREW (2) |
| 3. BRACKET | 9. BEAM END ADAPTER (4) |
| 4. REAR-REAR AXLE HOUSING | 10. PLAIN HARDENED WASHER (2) |
| 5. TORQUE ROD ASSEMBLY | 11. HEX HEAD NUT (2) |
| 6. HEX HEAD SCREW (2) | |

TA 238389

REAR TANDEM AXLES.

3-73. REAR-REAR AXLE HOUSING REPAIR.

THIS TASK COVERS

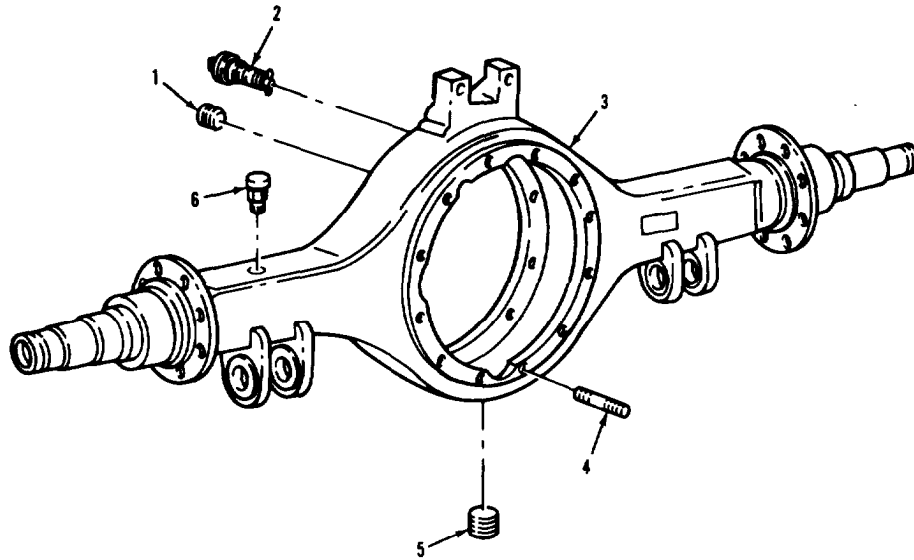
- a. Disassembly.
- b. Cleaning.
- c. Inspection.
- d. Assembly.

INITIAL SETUP

<u>APPLICABLE CONFIGURATIONS</u>	<u>EQUIPMENT CONDITION PARAGRAPH</u>	<u>CONDITION DESCRIPTION</u>
All.	3-72.	Rear-rear axle removed.
<u>TEST EQUIPMENT</u>	3-75.	Rear-rear carrier removed from housing.
<u>SPECIAL TOOLS</u>		
None.		
<u>MATERIALS/PARTS (P/N)</u>		
None.		
<u>PERSONNEL REQUIRED</u>	<u>SPECIAL ENVIRONMENTAL CONDITIONS</u>	
One (MOS-63W).	Work area clean and away from blowing dirt and dust.	
<u>REFERENCES (TM)</u>	<u>GENERAL SAFETY INSTRUCTIONS</u>	
LO 9-2320-283-12.	None.	
<u>TROUBLESHOOTING REFERENCES</u>		
Paragraph 2-7.		

REAR TANDEM AXLES.

3-73. REAR-REAR AXLE HOUSING REPAIR (Continued).



LEGEND:

1. HOLE PLUG
2. MAGNETIC FILLER PLUG
3. REAR-REAR AXLE HOUSING WITH BRACKETS
4. STUD (12)
5. HOUSING DRAINPLUG
6. BREATHER VENT

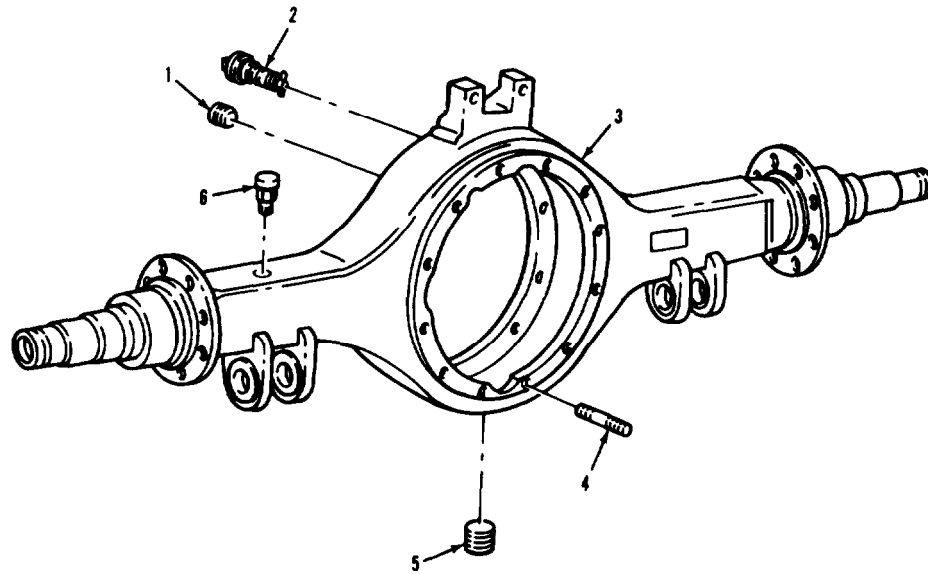
TA 238390

REAR TANDEM AXLES.

3-73. REAR-REAR AXLE HOUSING REPAIR (Continued).		
LOCATION/ITEM	ACTION	REMARKS
A. DISASSEMBLY.		
NOTE		
Do not remove any of the twelve studs unless the threads are damaged or worn. If necessary to remove any studs proceed with step 1, if not proceed with step 2.		
1. Twelve studs (4).	Only remove items (4) that appear to be damaged or worn, from item (3).	Discard items (4) that are removed.
2. Plug (2), plug (1), vent (6), and drainplug (5).	Remove from item (3).	
B. CLEANING.		
3. All parts.	Clean.	Refer to paragraph 3-4.
C. INSPECTION.		
4. All parts.	Inspect.	Refer to paragraph 3-5.
<u>CAUTION</u>		
Although the rear-rear axle housing has been cleaned according to paragraph 3-4, recheck for any moisture or dirt that may have collected in the housing.		

REAR TANDEM AXLES.

3-73. REAR-REAR AXLE HOUSING REPAIR (Continued).



LEGEND:

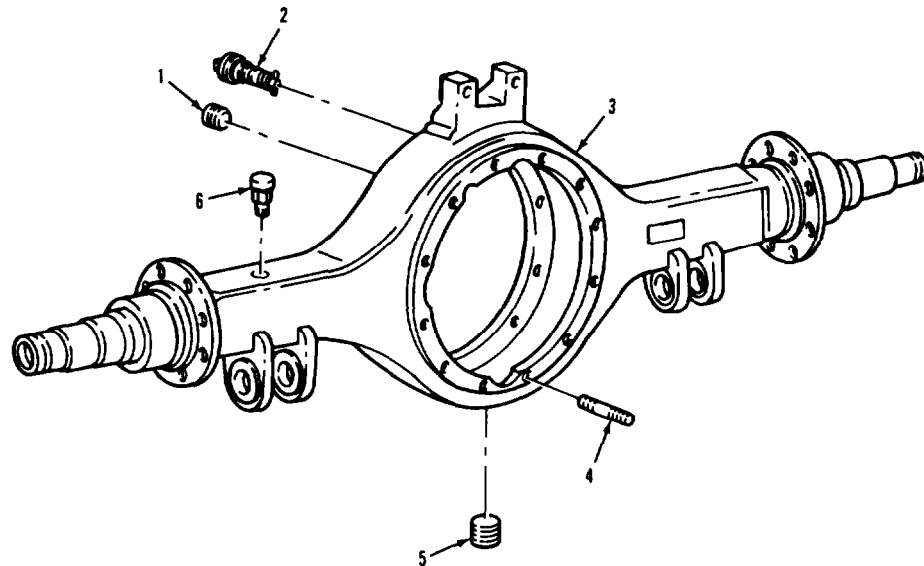
1. HOLE PLUG
2. MAGNETIC FILLER PLUG
3. REAR-REAR AXLE HOUSING WITH BRACKETS
4. STUD (12)
5. HOUSING DRAINPLUG
6. BREATHER VENT

REAR TANDEM AXLES.

3-73. REAR-REAR AXLE HOUSING REPAIR (Continued).		
LOCATION/ITEM	ACTION	REMARKS
D. ASSEMBLY (Continued).		
5. Twelve studs (4).	Install in item (3), if removed.	Use double nut method to install.
6. Drainplug (5), plug (1), and vent (6).	Install in item (3) and tighten.	
7. Plug (2).	Install in item (3), but do not tighten.	Item (2) will have to be removed to fill item (3) with gear oil.
NOTE		
Follow-on maintenance action required:		
Install rear-rear carrier in housing (para 3-75). Install rear-rear axle in truck (para 3-72). Fill item (3) with gear oil (LO 9-2320-283-12).		

REAR TANDEM AXLES.

3-73. REAR-REAR AXLE HOUSING REPAIR (Continued).



LEGEND:

1. HOLE PLUG
2. MAGNETIC FILLER PLUG
3. REAR-REAR AXLE HOUSING WITH BRACKETS
4. STUD (12)
5. HOUSING DRAINPLUG
6. BREATHER VENT

TA 238392

REAR TANDEM AXLES.

3-74. REAR-REAR AXLE FLANGE AND OIL SEAL REPLACEMENT.

THIS TASK COVERS

- a. Removal.
- b. Cleaning.
- c. Inspection.
- d. Installation.

INITIAL SETUP

<u>APPLICABLE CONFIGURATIONS</u>	<u>EQUIPMENT CONDITION PARAGRAPH</u>	<u>CONDITION DESCRIPTION</u>
All.	TM 9-2320-283-20.	Drive shaft disconnected.

TEST EQUIPMENT
None.

SPECIAL TOOLS
Flange tool
(33287) J3453.

MATERIALS/PARTS (P/N)
Oil, lubricating, engine, OE/HDO-10
Item 16, Appendix B.
Seal, oil
(52304) 63910.

PERSONNEL REQUIRED
One (MDS-63W).

SPECIAL ENVIRONMENTAL CONDITIONS
Work area clean and away from blowing dirt and dust.

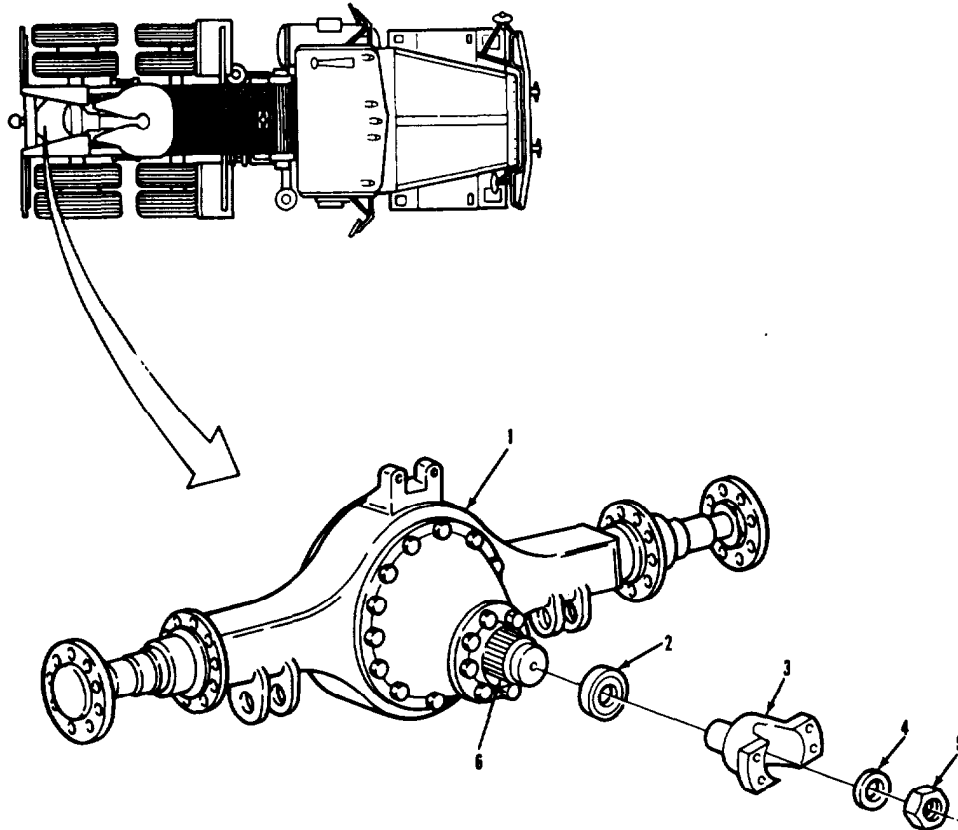
REFERENCE (TM)
TM 9-2320-283-20.
TM 9-2320-283-34P.

GENERAL SAFETY INSTRUCTIONS
Block front and rear tires.

TROUBLESHOOTING REFERENCES
Paragraph 2-7.

REAR TANDEM AXLES.

3-74. REAR-REAR AXLE FLANGE AND OIL SEAL REPLACEMENT (Continued).



LEGEND:

- 1. REAR-REAR AXLE ASSEMBLY
- 2. OIL SEAL
- 3. INPUT FLANGE ASSEMBLY
- 4. FLAT WASHER
- 5. PINION NUT
- 6. DRIVE PINION

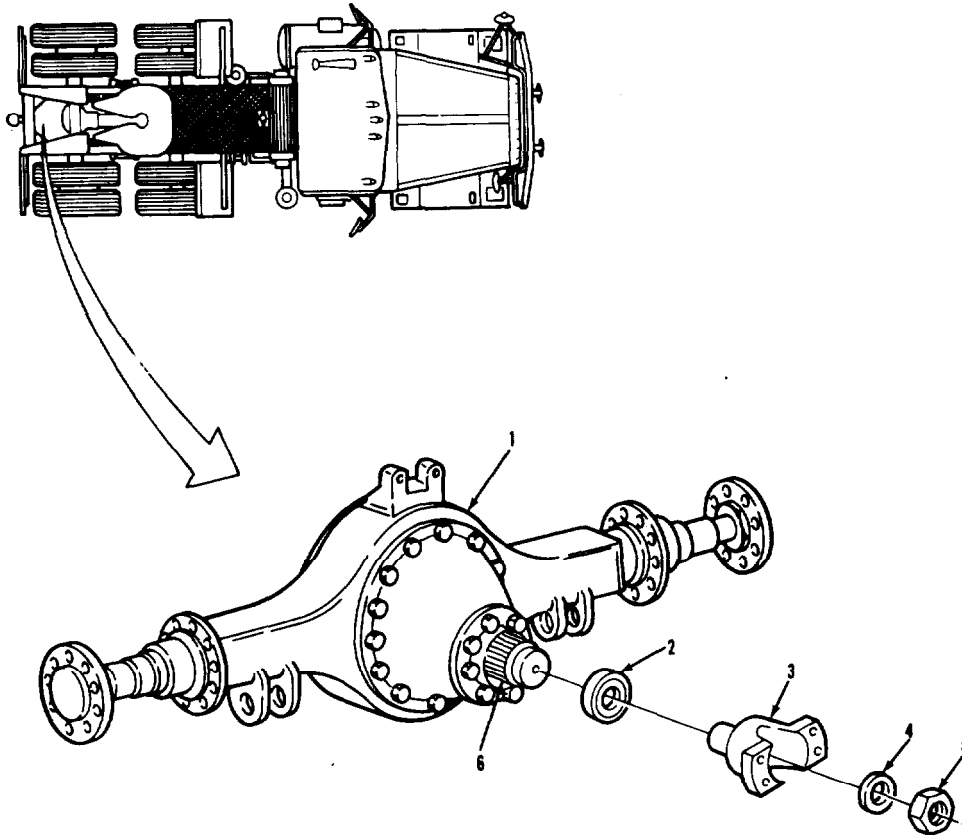
TA 238393

REAR TANDEM AXLES.

3-74. REAR-REAR AXLE FLANGE AND OIL SEAL REPLACEMENT (Continued).		
LOCATION/ITEM	ACTION	REMARKS
A. REMOVAL.		
1. Nut (5).	Remove from item (6).	Use suitable yoke tool to prevent item (6) from turning.
2. Input flange assembly (3) and washer (4).	Remove from item (6).	Tap the backside of item (3) for ease of removal.
3. Oil seal (2).	Remove from item (1).	Use a hammer and chisel for ease of removal. Discard item (2).
B. CLEANING.		
4. All parts.	Clean.	Refer to paragraph 3-4.
C. INSPECTION.		
5. All parts.	Inspect.	Refer to paragraph 3-5.
D. INSTALLATION.		
6. New seal (2).	Install into item (1).	Coat outside edges of item (2) with OE/HDO 10 for ease of installation.
7. Input flange assembly (3), washer (4), and nut (5).	Install and torque item (5) to 560-600 lb-ft.	Coat outside oil seal surface of item (3) with OE/HDO-10 to prevent damage to item (2). Use suitable yoke holding tool to prevent item (6) from turning.
NOTE		
Follow-on maintenance action required:		
Connect drive shaft (TM 9-2320-283-20).		

REAR TANDEM AXLES.

3-74. REAR-REAR AXLE FLANGE AND OIL SEAL REPLACEMENT (Continued).



LEGEND:

- 1. REAR-REAR AXLE ASSEMBLY
- 2. OIL SEAL
- 3. INPUT FLANGE ASSEMBLY
- 4. FLAT WASHER
- 5. PINION NUT
- 6. DRIVE PINION.

TA 238394

REAR TANDEM AXLES.

3-75. REAR-REAR AXLE CARRIER REPLACEMENT.

THIS TASK COVERS

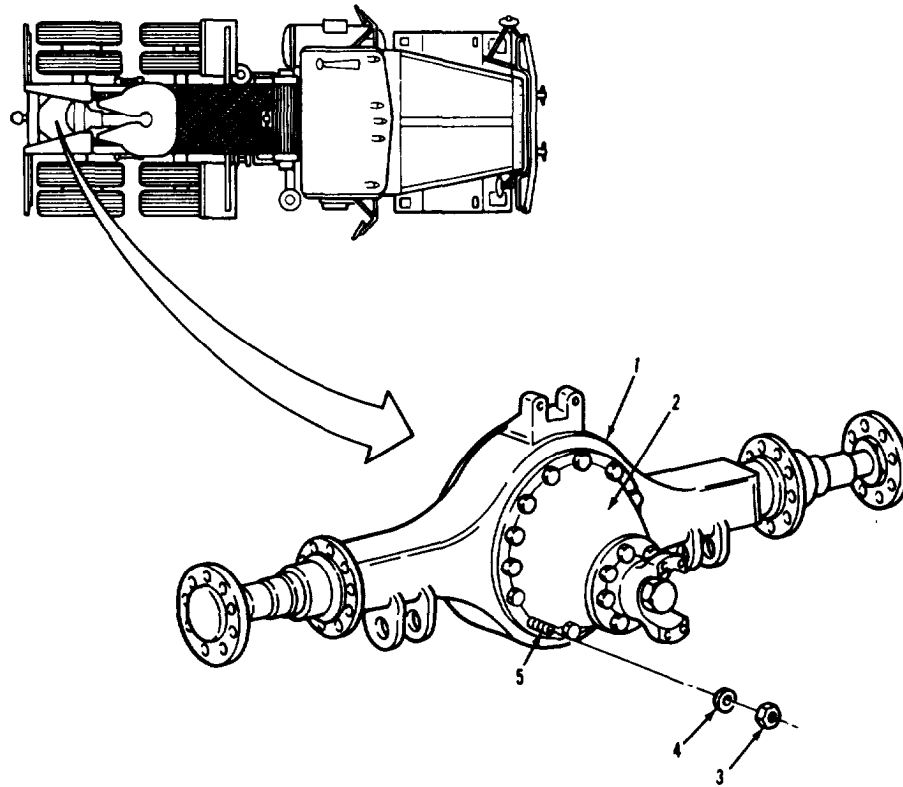
- a. Removal.
- b. Cleaning.
- c. Inspection.
- d. Installation.

INITIAL SETUP

<u>APPLICABLE CONFIGURATIONS</u>	<u>EQUIPMENT CONDITION PARAGRAPH</u>	<u>CONDITION DESCRIPTION</u>
ALL.	TM 9-2320-283-20.	Drive shaft disconnected.
<u>TEST EQUIPMENT</u> NONE.	LO 9-2320-283-12.	Gear oil drained.
	TM 9-2320-283-20.	Rear-rear axle shafts removed.
<u>SPECIAL TOOLS</u> None.		
<u>MATERIALS/PARTS (P/N)</u> Sealant, silicone rubber Item 27, Appendix C.		
<u>PERSONNEL REQUIRED</u> Two (MOS-63W).	<u>SPECIAL ENVIRONMENTAL CONDITIONS</u> Work area clean and away from blowing dirt and dust.	
<u>REFERENCES (TM)</u> LO 9-2320-283-12. TM 9-2320-283-20.	<u>GENERAL SAFETY INSTRUCTIONS</u> Block front and rear tires.	
<u>TROUBLESHOOTING REFERENCES</u> Paragraph 2-7.		

REAR TANDEM AXLES.

3-75. REAR-REAR AXLE CARRIER REPLACEMENT (Continued).



LEGEND:

- 1. REAR AXLE HOUSING
- 2. DIFFERENTIAL CARRIER
- 3. HEX HEAD NUT (12)
- 4. LOCKWASHER (12)
- 5. STUD (12)

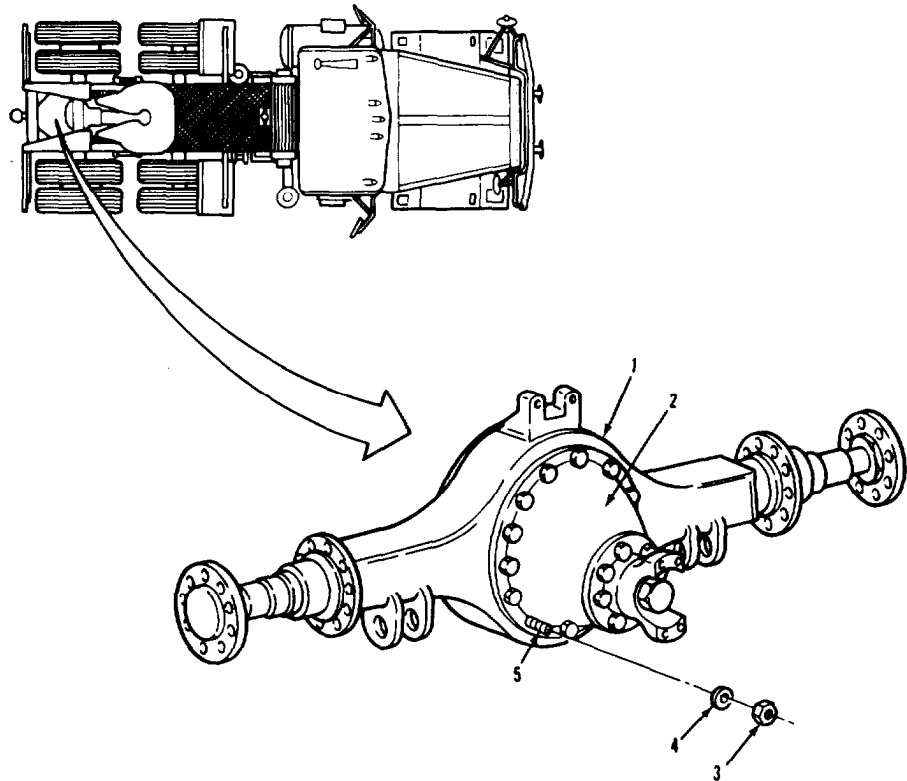
TA 238395

REAR TANDEM AXLES.

3-75. REAR-REAR AXLE CARRIER REPLACEMENT (Continued).		
LOCATION/ITEM	ACTION	REMARKS
<p>NOTE</p> <p>The differential carrier can be removed from the axle housing in the truck or with the axle housing removed. If the axle housing has been removed, a suitable floor crane will be required to lift the differential carrier from the axle housing after the nuts and lockwashers have been removed.</p>		
<p>A. REMOVAL.</p>		
<p><u>WARNING</u></p>		
<p>Do not lie under the differential carrier after nuts and lockwashers have been removed. Use a suitable carrier jack to support and remove differential carrier.</p>		
1. Twelve nuts (3) and lockwashers (4).	Remove from item (5).	
<p>NOTE</p> <p>Raising the rear of the frame may be necessary to gain clearance for the removal of the differential carrier and carrier jack.</p>		
2. Carrier (2).	Carefully remove from item (1).	Use two pry bars to separate item (2) from item (1).

REAR TANDEM AXLES.

3-75. REAR-REAR AXLE CARRIER REPLACEMENT (Continued).



LEGEND :

1. REAR AXLE HOUSING
2. DIFFERENTIAL CARRIER
3. HEX HEAD NUT (12)
4. LOCKWASHER (12)
5. STUD (12)

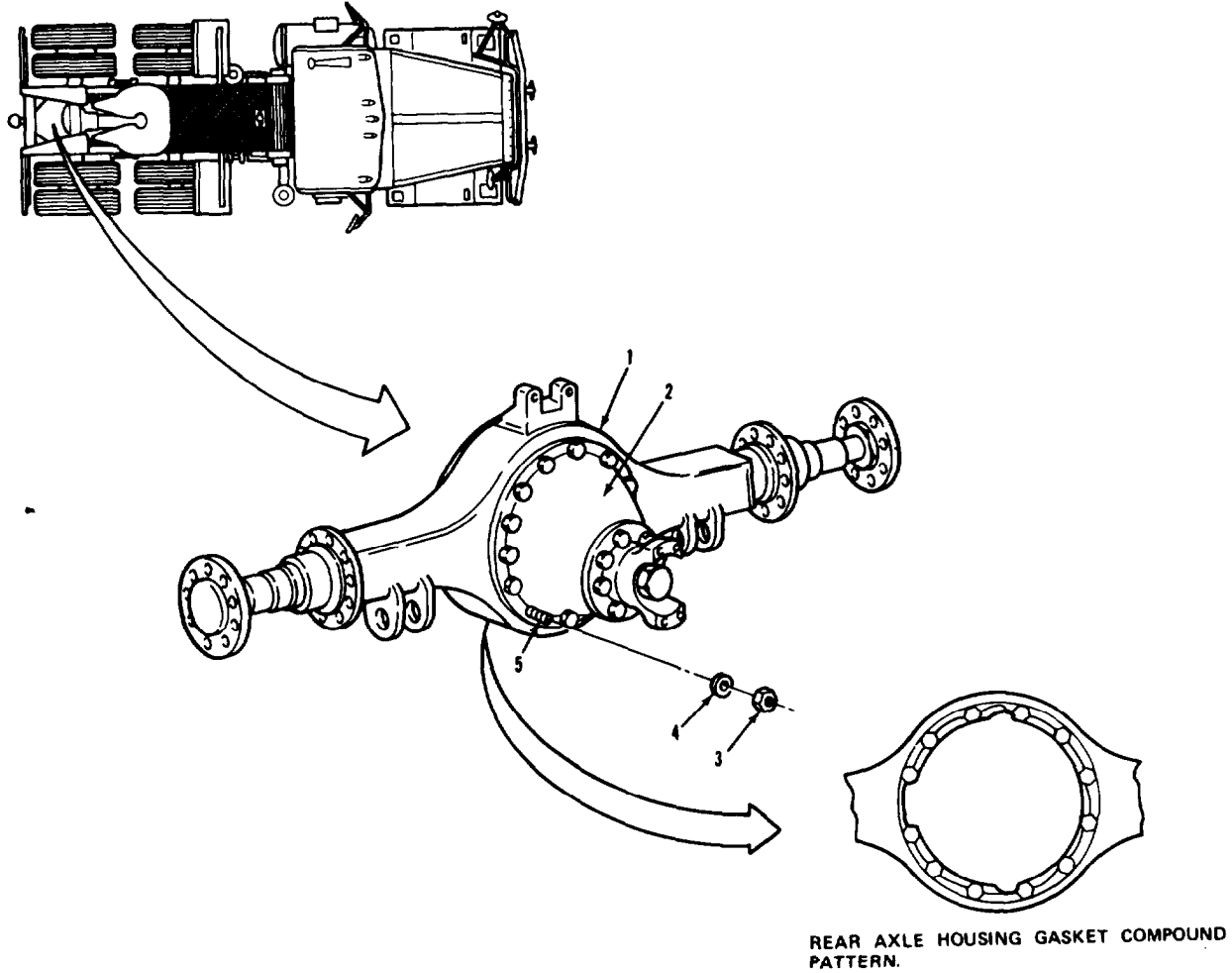
TA 238396

REAR TANDEM AXLES.

3-75. REAR-REAR AXLE CARRIER REPLACEMENT (Continued).		
LOCATION/ITEM	ACTION	REMARKS
B. CLEANING.		
3. Housing (1).	Clean.	Refer to paragraph 3-4.
C. INSPECTION.		
4. Housing (1).	Inspect.	Refer to paragraph 3-5.
D. INSTALLATION.		
5. Housing (1).	Apply silicone sealant as shown.	
6. Carrier (2).	Carefully install into item (1).	
7. Twelve lockwashers (4) and nuts (3).	Install and torque to 220-240 lb-ft on items (5).	
NOTE		
Follow-on maintenance action required:		
Refill axle housing with gear oil (LO 9-2320-283-12). Connect drive shaft (TM 9-2320- 283-20). Install two axle shafts (TM 9-2320- 283-20).		

REAR TANDEM AXLES.

3-75. REAR-REAR AXLE CARRIER REPLACEMENT (Continued).



LEGEND:

- 1. REAR AXLE HOUSING
- 2. DIFFERENTIAL CARRIER
- 3. HEX HEAD NUT (12)
- 4. LOCKWASHER (12)
- 5. STUD (12)

TA 238397

REAR TANDEM AXLES.

3- 76. REAR- REAR AXLE CARRIER REPAIR.

THIS TASK COVERS

- | | |
|--------------------------------------|--|
| a. Disassembly. | f. Adjusting Differential Preload. |
| b. Cleaning. | g. Adjusting Ring Gear Backlash. |
| c. Inspection. | h. Ring Gear and Pinion Tooth Contact. |
| d. Assembly. | i. Adjusting Tooth Contact Pattern. |
| e. Adjusting Pinion Bearing Preload. | j. Final Assembly. |

INITIAL SETUP

<u>APPLICABLE CONFIGURATIONS</u>	<u>EQUIPMENT CONDITION PARAGRAPH</u>	<u>CONDITION DESCRIPTION</u>
All	3- 75.	Rear- rear axle carrier removed.

TEST EQUIPMENT
None.

SPECIAL TOOLS
Stakin tool
(33287 J- 26883.
Flange tool
(33287) J- 3453.

MATERIALS/PARTS (P/N)

Oil lubricating: OE/HDO- 30 Item 17, Appendix B.	Cup, pinion bearing (2) (52304) 12495.	Cone, differential bearing (52304) 6082.
Seal, oil (52304) 79470.	Bearing, pinion pilot (52304) 15828.	Cup, differential bearing (52304) 90943.
Pin, cotter (52304) 90876.	Cup, differential bearing (52304) 9803.	Spacer, pinion bearing (52304) as required.
Pin, cotter (52304) 90873.	Cone, differential bearing (52304) 27813.	
Screw, hex head (12) (52304) 96271.		
Cone, pinion bearing (2) (52304) 12496.		

PERSONNEL REQUIRED
Two (MOS- 63W).

SPECIAL ENVIRONMENTAL CONDITIONS
Work area clean and away from blowing dirt and dust.

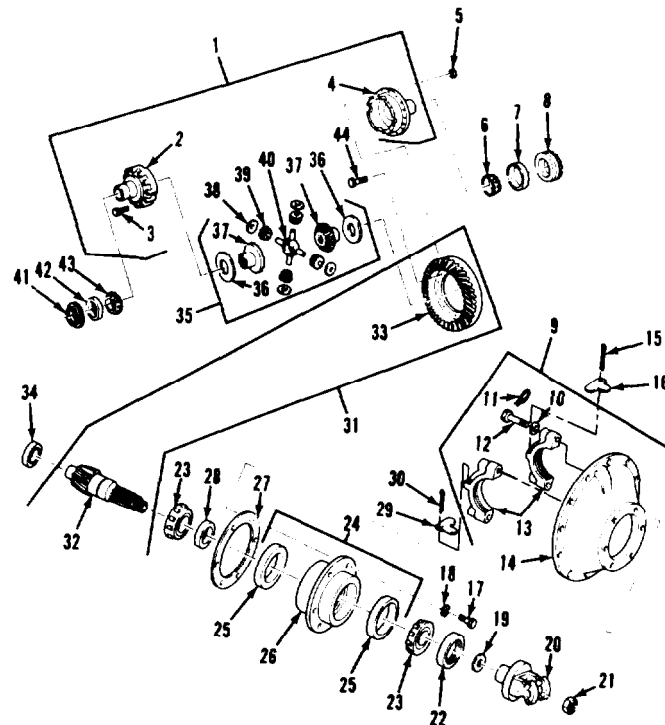
REFERENCES (TM)
TM 9- 2320- 283- 34P.

GENERAL SAFETY INSTRUCTIONS
When using a hydraulic press for removal or installation of bearings, wear a face shield to prevent possible injury to personnel.

TROUBLESHOOTING REFERENCES
Paragraph 2- 7.

REAR TANDEM AXLES.

3-76. REAR-REAR AXLE CARRIER REPAIR (Continued).



LEGEND:

- | | |
|----------------------------------|--|
| 1. DIFFERENTIAL CASE ASSEMBLY | 23. PINION BEARING CONE (2) |
| 2. PLAIN CASE HALF | 24. PINION BEARING CAGE AND CUP ASSEMBLY |
| 3. HEX HEAD SCREW (12) | 25. PINION BEARING CUP (2) |
| 4. FLANGED CASE HALF | 26. PINION BEARING CAGE |
| 5. LOCKNUT (16) | 27. PINION BEARING SHIM |
| 6. DIFFERENTIAL BEARING CONE | 28. PINION BEARING SPACER |
| 7. DIFFERENTIAL BEARING CUP | 29. BEARING ADJUSTER LOCK |
| 8. DIFFERENTIAL BEARING ADJUSTER | 30. COTTER PIN |
| 9. DIFFERENTIAL BEARING CAP | 31. RING GEAR AND DRIVE PINION |
| 10. FLAT WASHER (4) | 32. DRIVE PINION |
| 11. LOCKWIRE | 33. RING GEAR |
| 12. DRILLED HEX HEAD SCREW (4) | 34. PINION PILOT BEARING |
| 13. BEARING CAP (2) | 35. SIDE GEAR AND PINION ASSEMBLY |
| 14. REAR CARRIER | 36. SIDE GEAR THRUST WASHER (2) |
| 15. COTTER PIN | 37. DIFFERENTIAL SIDE GEAR (2) |
| 16. BEARING ADJUSTER LOCK | 38. SIDE PINION THRUST WASHER (4) |
| 17. SCREW (6) | 39. SIDE PINION (4) |
| 18. LOCKWASHER (6) | 40. SPIDER |
| 19. FLAT WASHER | 41. DIFFERENTIAL BEARING ADJUSTER |
| 20. INPUT FLANGE | 42. DIFFERENTIAL BEARING CUP |
| 21. PINION NUT | 43. DIFFERENTIAL BEARING CONE |
| 22. OIL SEAL | 44. SPECIAL HEAD SCREWS (16) |

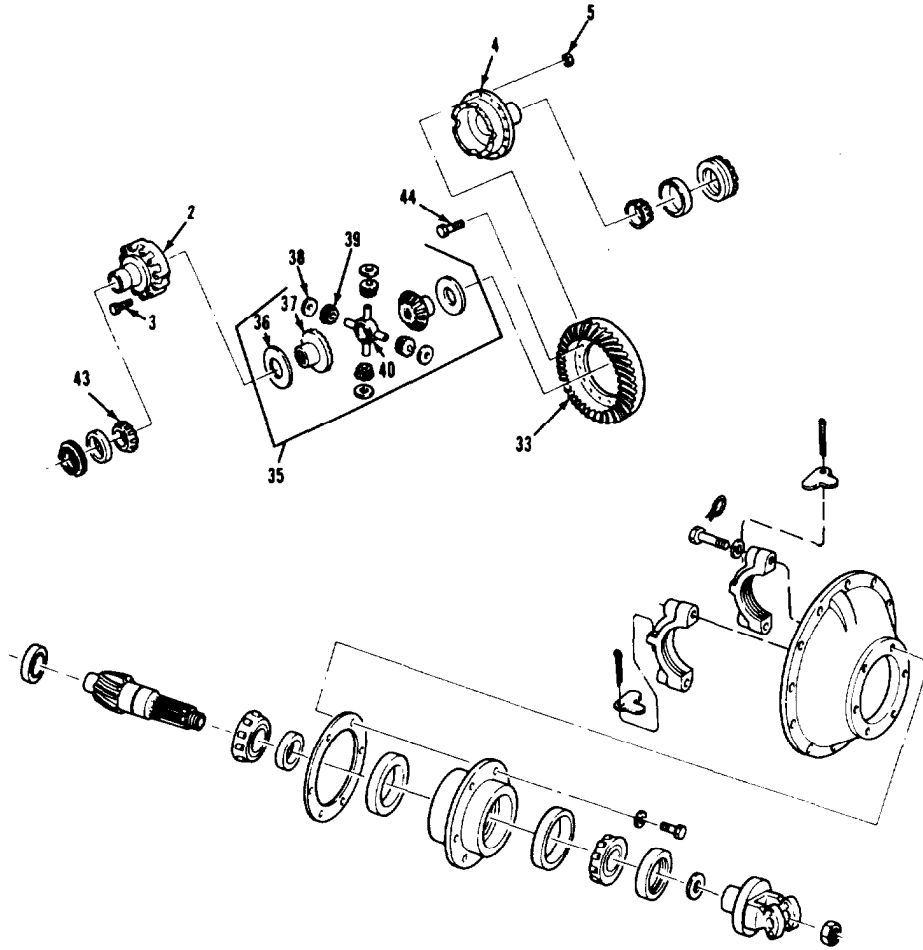
TA 238398

REAR TANDEM AXLES.

3-76. REAR-REAR AXLE CARRIER REPAIR (Continued).		
LOCATION/ITEM	ACTION	REMARKS
A. DISASSEMBLY.		
NOTE		
<ul style="list-style-type: none"> •If ring gear and drive pinion are to be reused, determine backlash before disassembly. Use a suitable dial indicator as illustrated in step 54. •Mount rear-rear axle carrier in a suitable overhaul stand. 		
1. Nut (21).	Remove from item (32).	Use tool No. J-3453 to prevent item (31) from turning.
NOTE		
Rotate overhaul stand so that ring gear is facing up.		
2. Two caps (13) and carrier (14).	Center punch for correct location and alignment.	This will provide for correct reassembly.
3. Spider (40) and differential case assembly (1).	Center punch for correct location and alignment.	
4. Two adjusters (8) and (41).	Center punch for correct location and alignment.	If new ring gear and drive pinion assembly are being installed, it is not necessary to center punch items (8) and (40).
5. Lockwire (11).	Cut, remove, and discard.	
6. Two pins (15) and (30).	Remove from items (13), (16), and (29).	Retain items (13), (16), and (29). Discard item (15) and (30).

REAR TANDEM AXLES.

3-76. REAR-REAR AXLE CARRIER REPAIR (Continued).



LEGEND:

- 1. DIFFERENTIAL CASE ASSEMBLY
- 8. DIFFERENTIAL BEARING ADJUSTER
- 11. LOCKWIRE
- 13. BEARING CAP (2)
- 14. REAR CARRIER
- 15. COTTER PIN
- 16. BEARING ADJUSTER LOCK
- 21. PINION NUT
- 29. BEARING ADJUSTER LOCK
- 30. COTTER PIN
- 32. DRIVE PINION
- 40. SPIDER
- 41. DIFFERENTIAL BEARING ADJUSTER

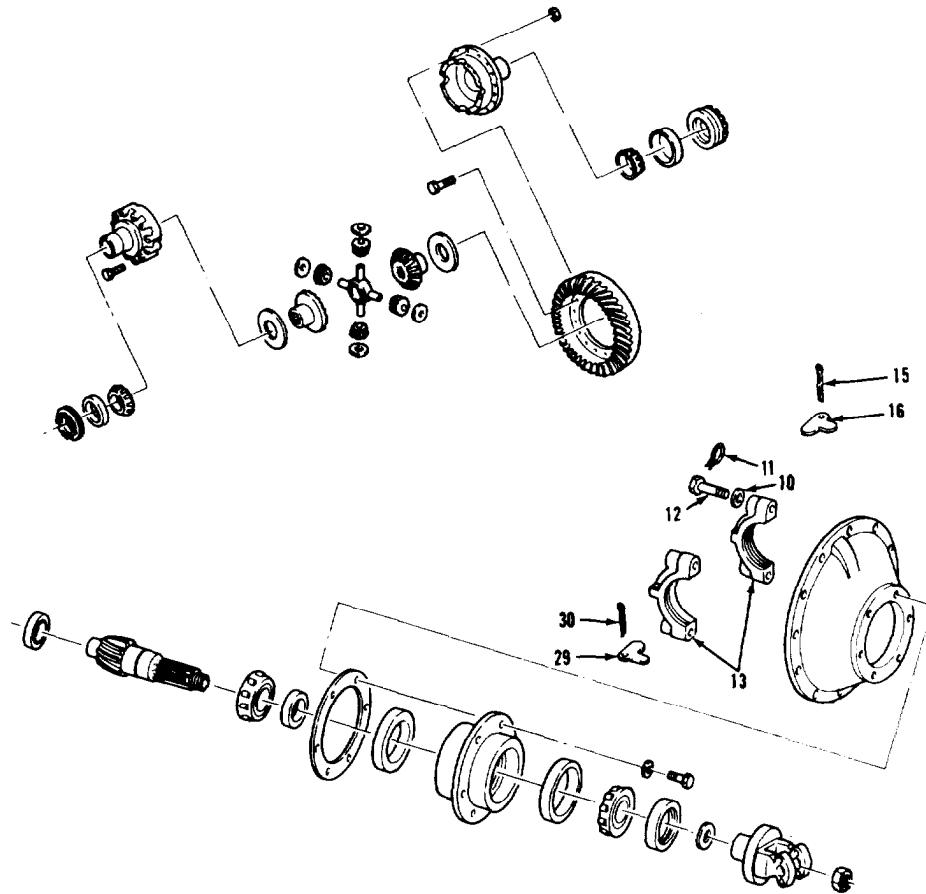
TA 238399

REAR TANDEM AXLES.

3-76. REAR-REAR AXLE CARRIER REPAIR (Continued).		
LOCATION/ITEM	ACTION	REMARKS
A. DISASSEMBLY (Continued).		
7. Four screws (12) and washers (10).	Remove from item (13). Remove item (13) from item (1).	
8. Two adjusters (8) and (41).	Remove from item (14).	
9. Two cups (7) and (42).	Remove from item (14).	
10. Ring gear and drive pinion (31), two cones (6) and (43), and differential assembly (1).	Remove as an assembly from item (14).	Use a suitable chain hoist attached to a steel bar. Insert the steel bar through the center of item (31) and lift out.
NOTE		
The differential case assembly and ring gear screws require excessive force to remove. It may be helpful to mount the assembly in a hydraulic press to initially loosen the screws.		
11. Sixteen screws (44).	Remove from item (33).	If item (33) will not drop off, tap outer diameter with soft mallet to loosen.
12. Twelve screws (3).	Remove from item (2) and discard items (3).	
13. Side gear and pinion assembly (35).	Remove from items (2) and (4).	

REAR TANDEM AXLES.

3-76. REAR-REAR AXLE CARRIER REPAIR (Continued).



LEGEND:

- | | |
|----------------------------------|-----------------------------------|
| 1. DIFFERENTIAL CASE ASSEMBLY | 13. BEARING CAP (2) |
| 2. PLAIN CASE HALF | 14. REAR CARRIER |
| 3. HEX HEAD SCREW (12) | 31. RING GEAR AND DRIVE PINION |
| 4. FLANGED CASE HALF | 33. RING GEAR |
| 6. DIFFERENTIAL BEARING CONE | 35. SIDE GEAR AND PINION ASSEMBLY |
| 7. DIFFERENTIAL BEARING CUP | 41. DIFFERENTIAL BEARING ADJUSTER |
| 8. DIFFERENTIAL BEARING ADJUSTER | 42. DIFFERENTIAL BEARING CUP |
| 10. FLAT WASHER (4) | 43. DIFFERENTIAL BEARING CONE |
| 12. DRILLED HEX HEAD SCREW (4) | 44. SPECIAL HEAD SCREW (16) |

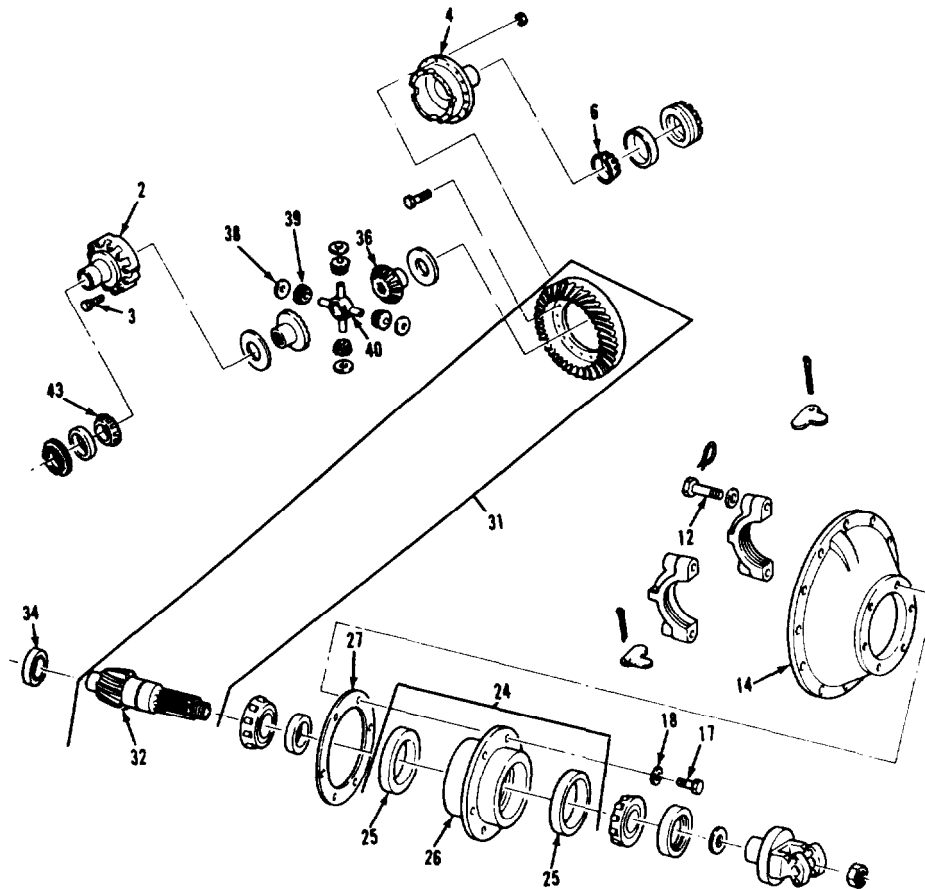
TA 238400

REAR TANDEM AXLES.

3-76. REAR-REAR AXLE CARRIER REPAIR (Continued).		
LOCATION/ITEM	ACTION	REMARKS
A. DISASSEMBLY (Continued).		
NOTE		
Bearing cones and bearing cups which are pressed on, are only to be removed if they fail inspection. Refer to step 26 for inspection. Removal of any bearing cup or cone will usually result in damage to the cone or cup.		
14. Two washers (36).	Remove from items (2) and (4).	
15. Four washers (38) and pinions (39).	Remove from item (40).	Do not mix items (38) and (39).
16. Two cones (6) and (43).	Remove from items (4) and (2) using a suitable puller.	Discard items (6) and (43).
NOTE		
Rotate rear-rear carrier so that flange end of drive pinion faces up.		
17. Six screws (17) and lockwashers (18).	Remove from item (26).	
NOTE		
<ul style="list-style-type: none"> •More than one shim may be used under the bearing cage. Count all shims and tag for use during assembly. •Rotate rear-rear carrier so that flange end of drive pinion faces down. 		
18. Pinion bearing cage and cup assembly (24), shim (27), pinion (32), and bearing (34).	Remove from item (14).	Use a long drift punch seated against the back of item (32) and hammer out. Use an assistant to hold onto item (24) while hammering out.

REAR TANDEM AXLES.

3-76. REAR-REAR AXLE CARRIER REPAIR (Continued).



LEGEND:

- | | |
|--|-----------------------------------|
| 2. PLAIN CASE HALF | 27. PINION BEARING SHIM |
| 4. FLANGED CASE HALF | 31. RING GEAR AND DRIVE PINION |
| 6. DIFFERENTIAL BEARING CONE | 32. DRIVE PINION |
| 12. DRILLED HEX HEAD SCREW (4) | 34. PINION PILOT BEARING |
| 14. REAR CARRIER | 36. SIDE GEAR THRUST WASHER (2) |
| 17. SCREW (6) | 38. SIDE PINION THRUST WASHER (4) |
| 18. LOCKWASHER (6) | 39. SIDE PINION (4) |
| 24. PINION BEARING CAGE AND CUP ASSEMBLY | 40. SPIDER |
| 25. PINION BEARING CUP (2) | 43. DIFFERENTIAL BEARING CONE |
| 26. PINION BEARING CAGE | |

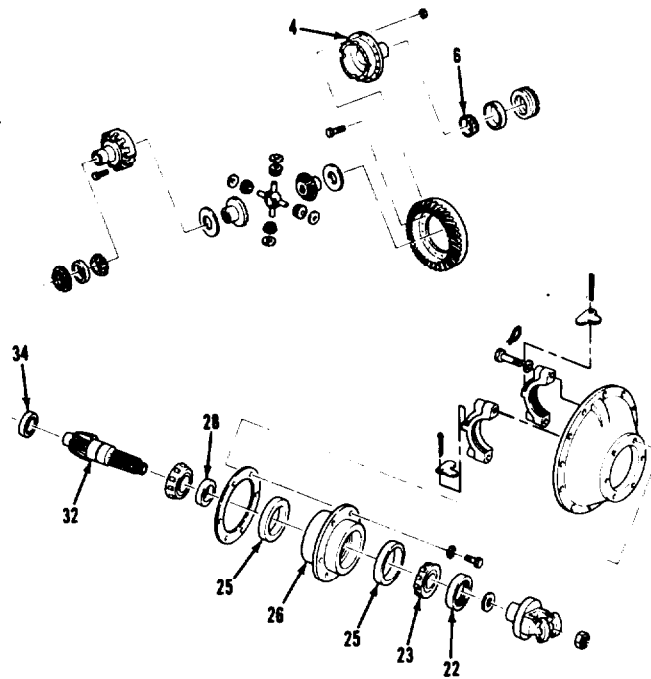
TA 238401

REAR TANDEM AXLES.

3-76. REAR-REAR AXLE CARRIER REPAIR (Continued).		
LOCATION/ITEM	ACTION	REMARKS
A. DISASSEMBLY (Continued).		
19. Pinion (32) and bearing (34).	Remove from item (26) using a suitable press.	
20. Seal (22).	Remove from item (26) and discard item (22).	
21. Cone (23).	Remove from item (26).	
22. Two cups (25).	Remove from item (26).	Tag for correct location during assembly. Use a drift punch seated against the backs of item (25) to drive out,
23. Spacer (28).	Remove from item (32).	
34. Cone (23) and bearing (34).	Remove from item (32).	Use a split type bearing puller to push item (23) and (34) away from teeth of item (32). Mount item (32) in a hydraulic press and remove items (23) and (34).
B. CLEANING.		
25. All parts.	Clean.	Refer to paragraph 3-4.
C. INSPECTION.		
26. All parts.	Inspect.	Refer to paragraph 3-5.
D. ASSEMBLY.		
CAUTION		
Coat all parts with OE/HDO 30 lubricating oil before assembly.		
27. New cone (6).	Press onto item (4) using suitable bearing installation tool and hydraulic press.	

REAR TANDEM AXLES.

3-76. REAR-REAR AXLE CARRIER REPAIR (Continued).



LEGEND:

- | | |
|------------------------------|---------------------------|
| 4. FLANGED CASE HALF | 26. PINION BEARING CAGE |
| 6. DIFFERENTIAL BEARING CONE | 28. PINION BEARING SPACER |
| 22. OIL SEAL | 32. DRIVE PINION |
| 23. PINION BEARING CONE (2) | 34. PINION PILOT BEARING |
| 25. PINION BEARING CUP (2) | |

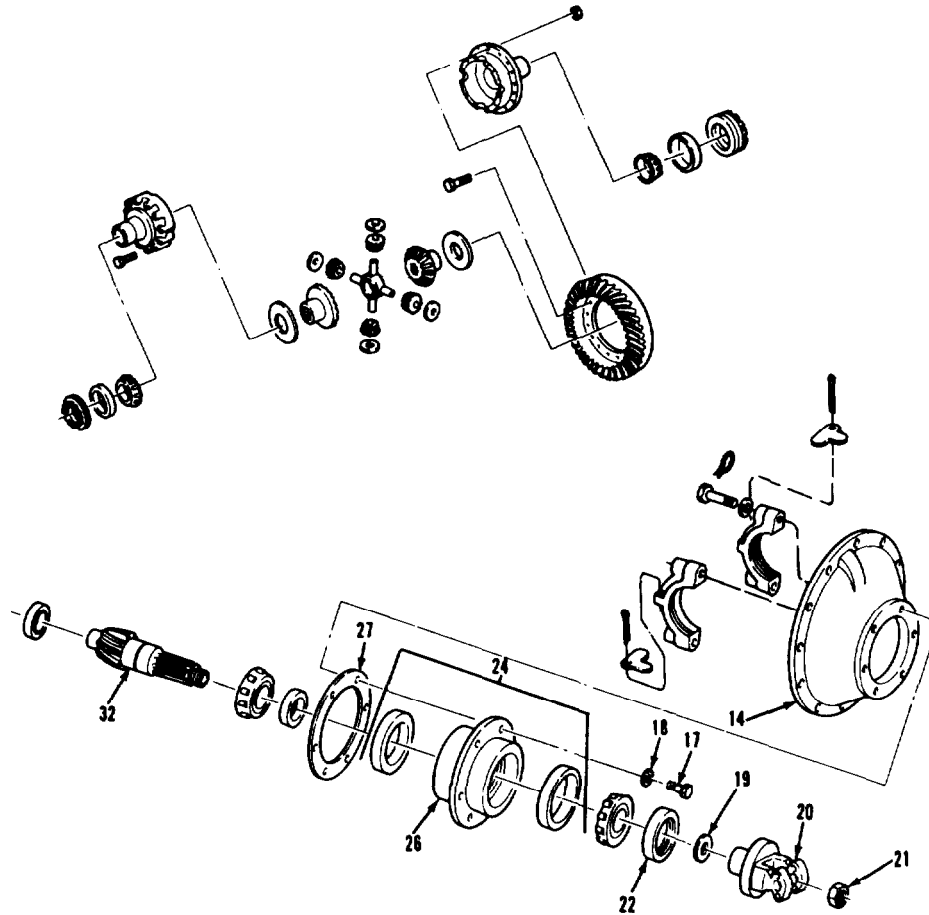
TA 238402

REAR TANDEM AXLES.

3-76. REAR-REAR AXLE CARRIER REPAIR (Continued).		
LOCATION/ITEM	ACTION	REMARKS
D. ASSEMBLY (Continued).		
28. New cone (43).	Press onto item (2) using suitable bearing installation tool and hydraulic press.	
29. Washer (36) and gear (37).	Install in item (4).	
30. Four pinions (39) and washers (38).	Install onto item (40).	
31. Remaining gear (37) and washer (36).	Place on item (35).	
32. Side gear pinion assembly (35).	Rotate gears and check for proper mesh.	
33. Case half (2).	Aline punch marks with item (4) and install onto item (4).	
34. Twelve new screws (3).	Install in item (2) and torque to 150-180 lb-ft.	
<u>CAUTION</u>		
Make certain ring gear sits flat on flange case. Any unevenness will result in incorrect adjustment and damage to the ring and pinion gear.		
35. Gear (33).	Install onto item (4).	
36. Sixteen screws (44) and locknuts (5).	Install in item (33) and (4), and torque to 195-245 lb.ft.	

REAR TANDEM AXLES.

3-76. REAR-REAR AXLE CARRIER REPAIR (Continued).



LEGEND:

- 2. PLAIN CASE HALF
- 3. HEX HEAD SCREW (12)
- 4. FLANGED CASE HALF
- 5. LOCKNUT (16)
- 33. RING GEAR
- 35. SIDE GEAR AND PINION ASSEMBLY
- 36. SIDE GEAR THRUST WASHER (2)
- 37. DIFFERENTIAL SIDE GEAR (2)
- 38. SIDE PINION THRUST WASHER (4)
- 39. SIDE PINION (4)
- 40. SPIDER
- 43. DIFFERENTIAL BEARING CONE
- 44. SPECIAL HEAD SCREWS (16)

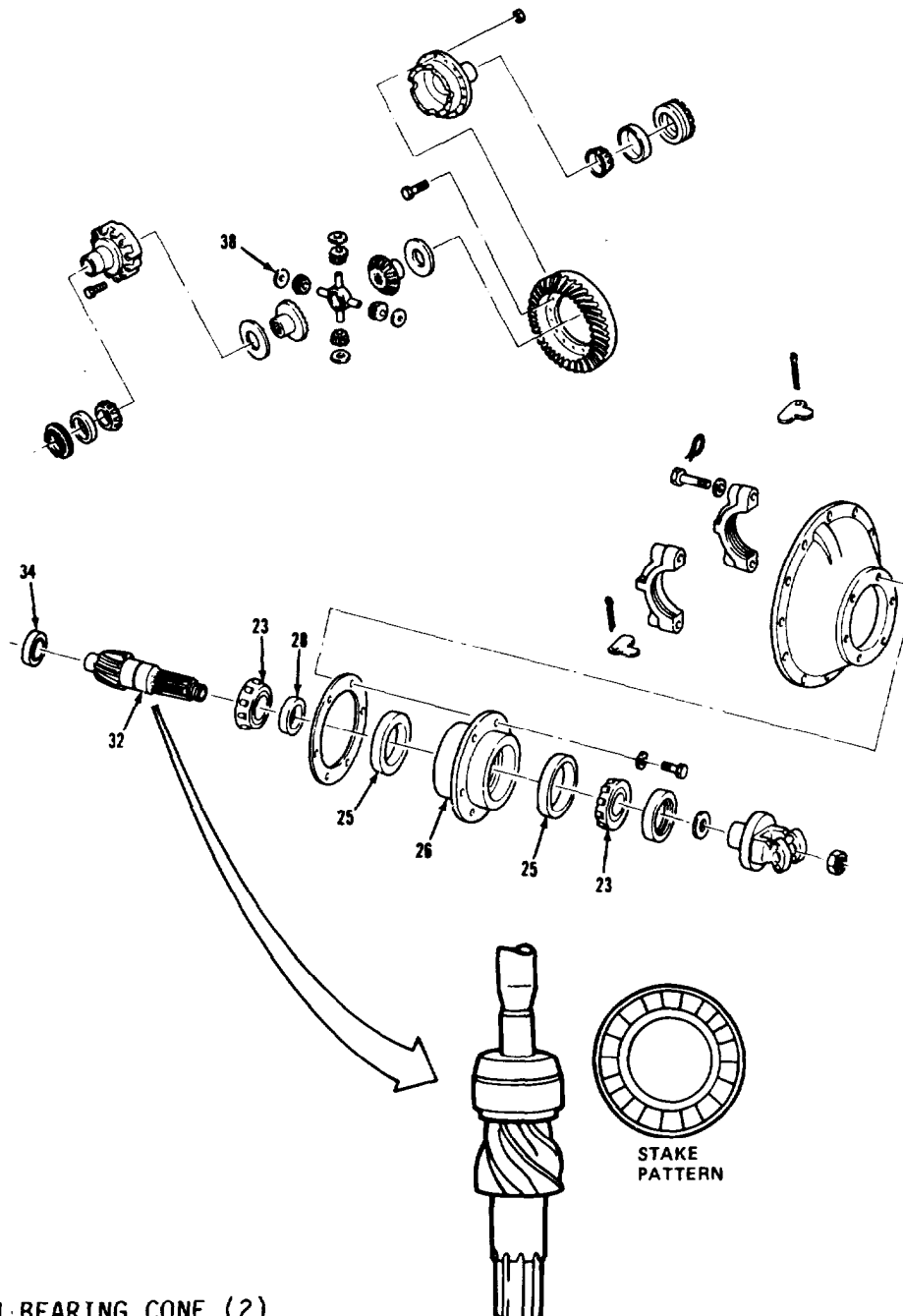
TA238403

REAR TANDEM AXLES.

3-76. REAR-REAR AXLE CARRIER REPAIR (Continued).		
LOCATION/ITEM	ACTION	REMARKS
D. ASSEMBLY (Continued).		
37. Two new cups (25).	Install in item (26) using a suitable bearing sleeve and hydraulic press.	Make certain items (25) bottom in item (26).
<u>CAUTION</u>		
<p>Before complete reassembly of drive pinion, the correct bearing spacer will have to be determined after installation of pilot bearing and pinion bearing cone. Refer to step 51 for trial build-up and step 52 for final pinion bearing preload test to determine the correct size of spacer to be used.</p>		
38. New bearing (34).	Install onto end of item (32) using suitable bearing sleeve for installation and hydraulic press.	Stake item (34) as shown using tool No. J-26883,
39. New cone (23).	Install onto item (32) using suitable bearing sleeve for installation and hydraulic press.	Make certain item (23) bottoms on item (32).
40. New spacer (28).	Install onto item (32).	Item (28) is available in thirty-two different sizes. Use the correct size as determined in steps 51 and 52.
41. Cage (26).	Install onto item (32).	
42. New cone (23).	Install onto item (32) using a suitable bearing sleeve and hydraulic press for installation.	

REAR TANDEM AXLES.

3-76. REAR-REAR AXLE CARRIER REPAIR (Continued).



LEGEND:

- 23. PINION BEARING CONE (2)
- 25. PINION BEARING CUP (2)
- 26. PINION BEARING CAGE
- 28. PINION BEARING SPACER
- 32. DRIVE PINION
- 34. PINION PILOT BEARING
- 38. SIDE PINION THRUST WASHER (4)

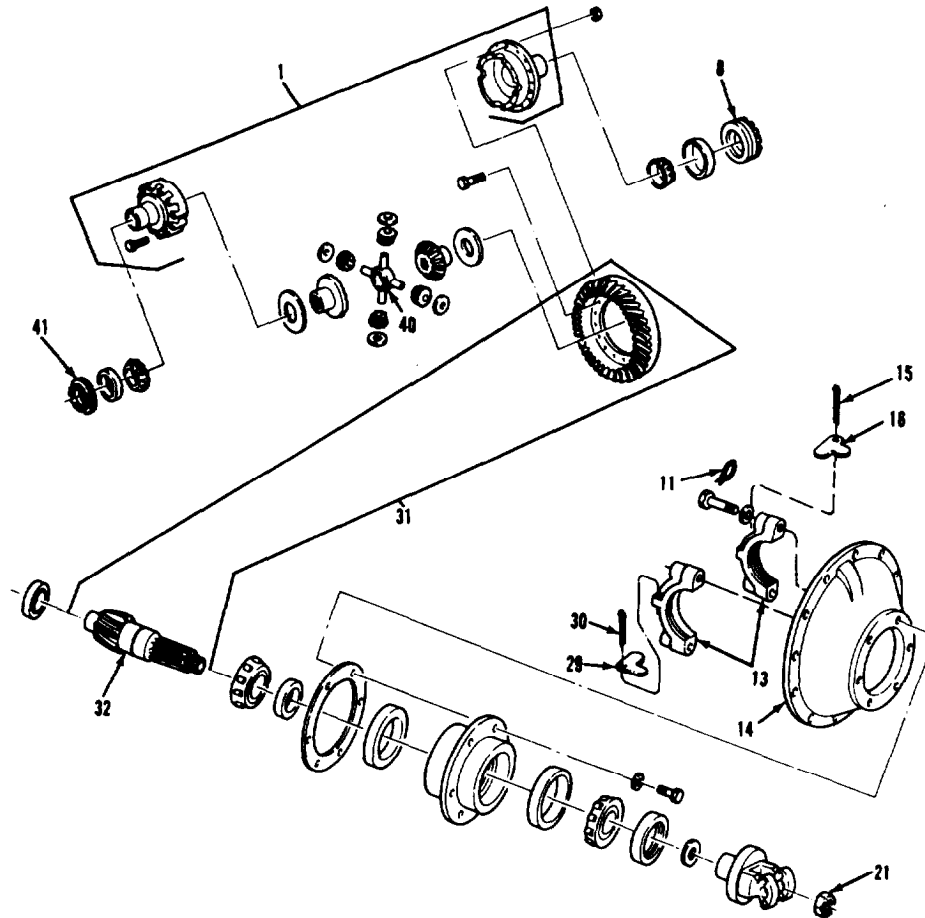
TA 2384

REAR TANDEM AXLES.

3-76. REAR-REAR AXLE CARRIER REPAIR (Continued).		
LOCATION/ITEM	ACTION	REMARKS
D. ASSEMBLY (Continued).		
<u>CAUTION</u>		
After installation of outer bearing cone, make a final check of pinion bearing preload. Refer to step 52 for preload adjustment.		
43. New seal (22).	Install in item (26) using a suitable press.	Make certain new item (22) seats firmly in item (26).
44. Washer (19), flange (20), and nut (21).	Install onto item (32). Torque item (21) to 560-700 lb-ft.	Item (32) will have to be firmly secured in a large vise with jaw protectors to prevent it from slipping when torquing item (21).
NOTE		
If ring gear and drive pinion assembly are to be reused, install the same amount and size of shims removed during disassembly. When installing a new ring gear and drive pinion use a nominal shim pack of 0.029 inch.		
45. Shims (27).	Place on item (14) and make certain lube hole is clear.	Items (27) is available in five different sizes. The total number and sizes will be determined during adjustments.
46. Assembled pinion bearing cage and cup assembly (24).	Install into item (14).	
47. Six screws (17) and lockwashers (18).	Install in item (26) and torque item (17) to 100-130 lb-ft.	Items (17) and (24) may have to be removed during final adjustment for changing for items (27).

REAR TANDEM AXLES.

3-76. REAR-REAR AXLE CARRIER REPAIR (Continued).



LEGEND:

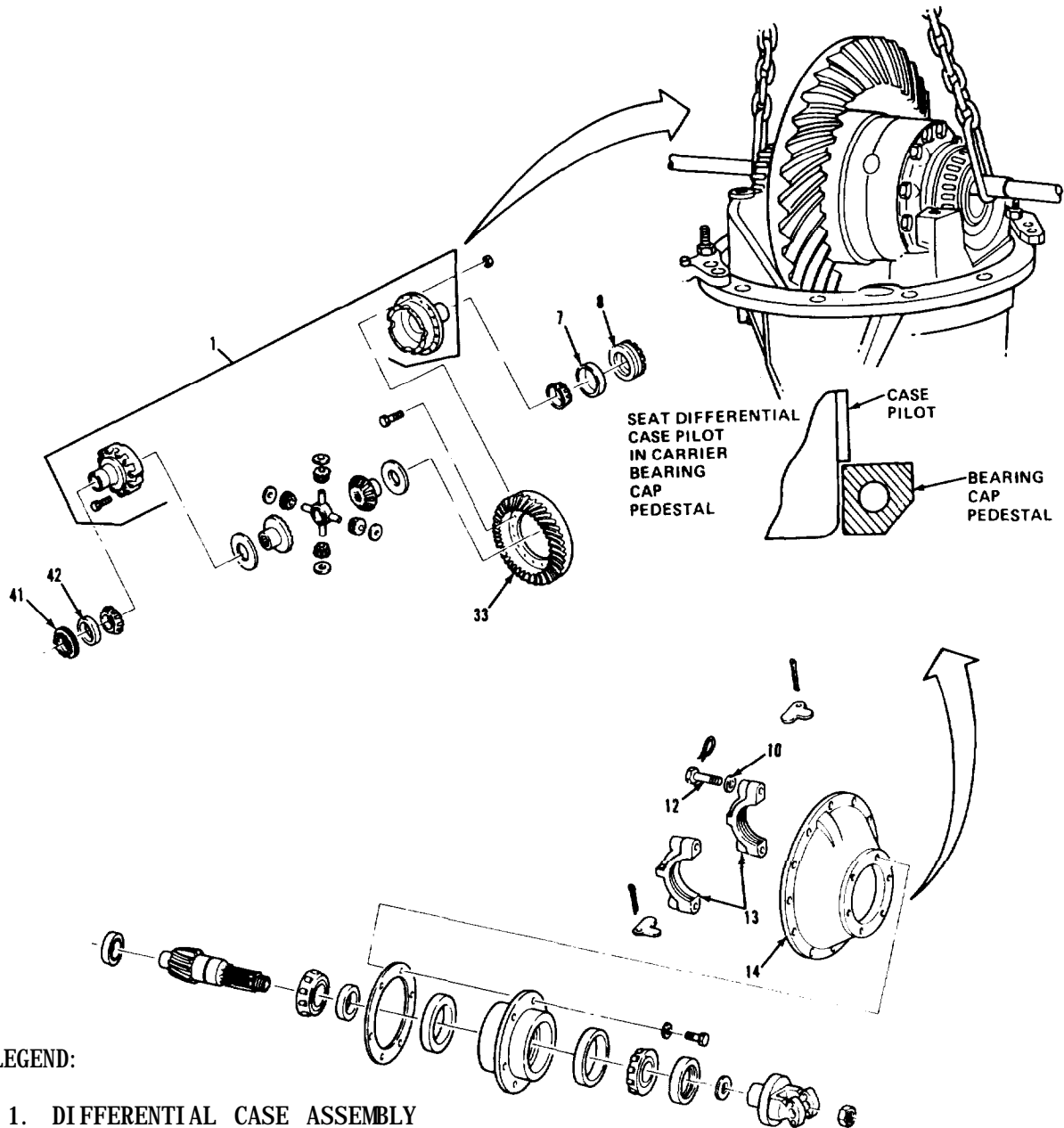
- 14. REAR CARRIER
- 17. SCREW (6)
- 18. LOCKWASHER (6)
- 19. FLAT WASHER
- 20. INPUT FLANGE
- 21. PINION NUT
- 22. OIL SEAL
- 24. PINION BEARING CAGE AND CUP ASSEMBLY
- 26. PINION BEARING CAGE
- 27. PINION BEARING SHIM
- 32. DRIVE PINION

REAR TANDEM AXLES.

3-76. REAR-REAR AXLE CARRIER REPAIR (Continued).		
LOCATION/ITEM	ACTION	REMARKS
D. ASSEMBLY (Continued).		
48. Ring gear (33) and differential case assembly (1).	Install into item (14).	During installation, tilt item (1) to allow differential case pilot to mesh properly with edge of bearing cap pedestal as shown.
49. Two cups (7) and (42), adjusters (8) and (41), and caps (13).	Install in item (14).	Make certain punch marks are properly aligned and threads of items (8) and (41) are not cross threaded with items (13).
<u>CAUTION</u>		
Do not torque the four drilled hex screws until all adjustments have been made.		
50. Four screws (12) and washers (10).	Install and finger tighten. If necessary, use a hand tool.	Refer to steps 51 thru 59 under adjustments for setting differential preload and ring gear backlash.
E. ADJUSTING PINION BEARING PRELOAD.		
CAUTION		
<ul style="list-style-type: none"> • Once correct pinion bearing preload has been established note the pinion bearing spacer size used. Select a pinion bearing spacer 0.001 inch larger for use in the final pinion bearing cage assembly. • After adjusting pinion bearing preload without drive pinion a final preload test must be made. Proceed to step 52 for adjustments with drive pinion installed in bearing cage assembly. 		

REAR TANDEM AXLES.

3-76. REAR-REAR AXLE CARRIER REPAIR (Continued).



LEGEND:

- 1. DIFFERENTIAL CASE ASSEMBLY
- 7. DIFFERENTIAL BEARING CUP
- 8. DIFFERENTIAL BEARING ADJUSTER
- 10. FLAT WASHER (4)
- 12. DRILLED HEX HEAD SCREW (4)
- 13. BEARING CAP (2)
- 14. REAR CARRIER
- 33. RING GEAR
- 42. DIFFERENTIAL BEARING CUP
- 41. DIFFERENTIAL BEARING ADJUSTER

TA 238406

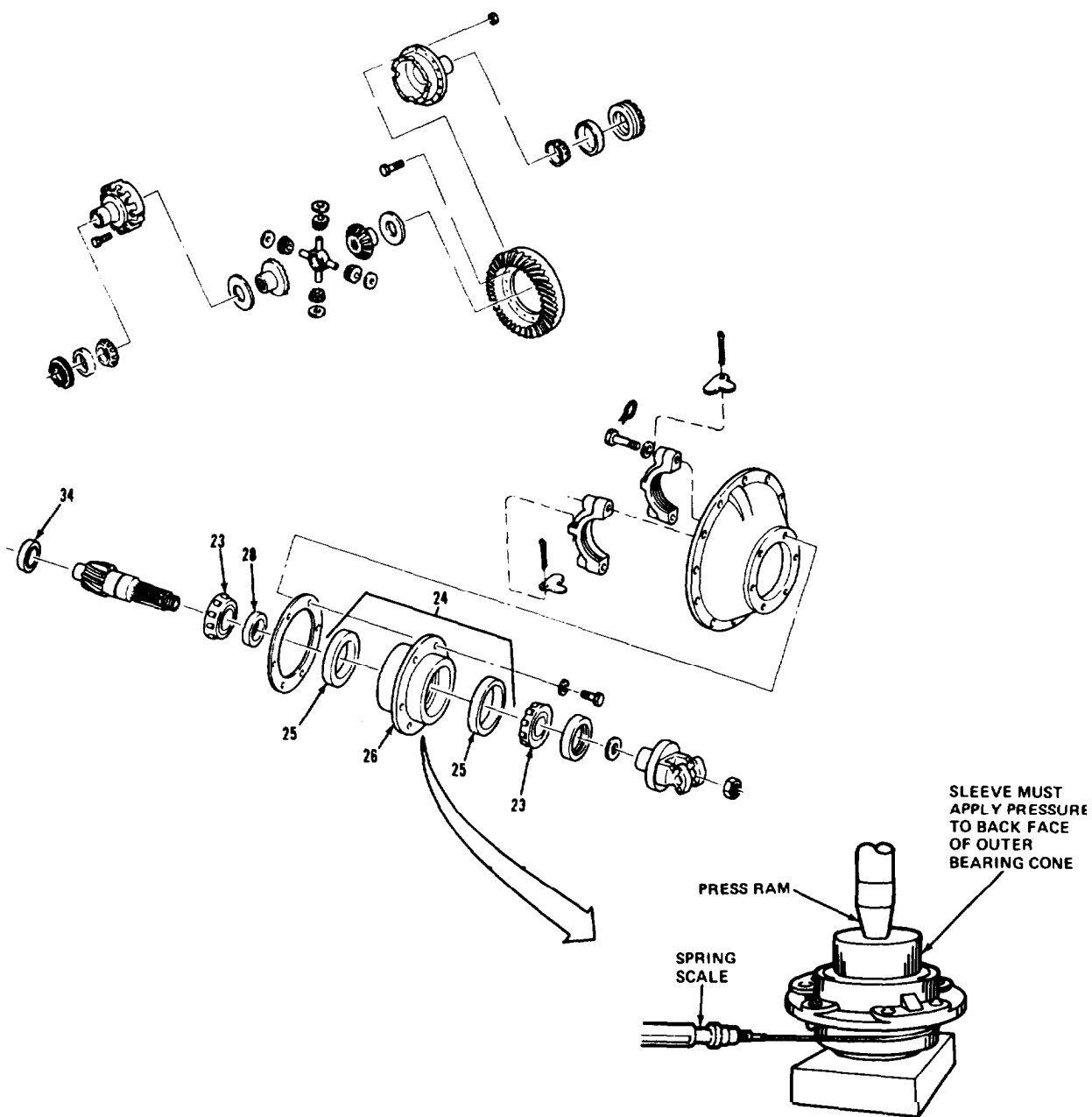
REAR TANDEM AXLES.

3-76. REAR-REAR AXLE CARRIER REPAIR (Continued).

LOCATION/ITEM	ACTION	REMARKS
E. ADJUSTING PINION BEARING PRELOAD.		
NOTE		
Use a bearing spacer with a thickness of 0.638 inch with a new gear set or pinion bearings. Use original bearing spacer with original parts.		
51. Assembled pinion bearing cage and cup assembly (24).	For trial build-up of pinion bearing preload test, adjust as follows:	Item (24) should be assembled with items (25), (23), (38), and correct item (28).
	a. Place item (24) in press. Position sleeve so that load is applied directly to the back face of item (25) as shown.	
	b. Apply hydraulic press load of 13.5 to 15.5 tons to item (24).	
	c. Wrap soft wire around item (24) and attach a spring scale as shown.	
	d. Pull spring scale. Preload is correct when torque required to rotate item (26) is from 10-20 lb-in..	If necessary, adjust pinion bearing preload by changing item (28). A thicker item (28) will decrease preload. A thinner item (28) will increase preload.
NOTE		
Drive pinion and pinion pilot bearing must be installed in bearing cage assembly for final bearing preload test.		

REAR TANDEM AXLES.

3-76. REAR-REAR AXLE CARRIER REPAIR (Continued).



LEGEND:

- 23. PINION BEARING CONE (2)
- 24. PINION BEARING CAGE AND CUP ASSEMBLY
- 25. PINION BEARING CUP (2)
- 26. PINION BEARING CAGE
- 28. PINION BEARING SPACER
- 34. PINION PILOT BEARING

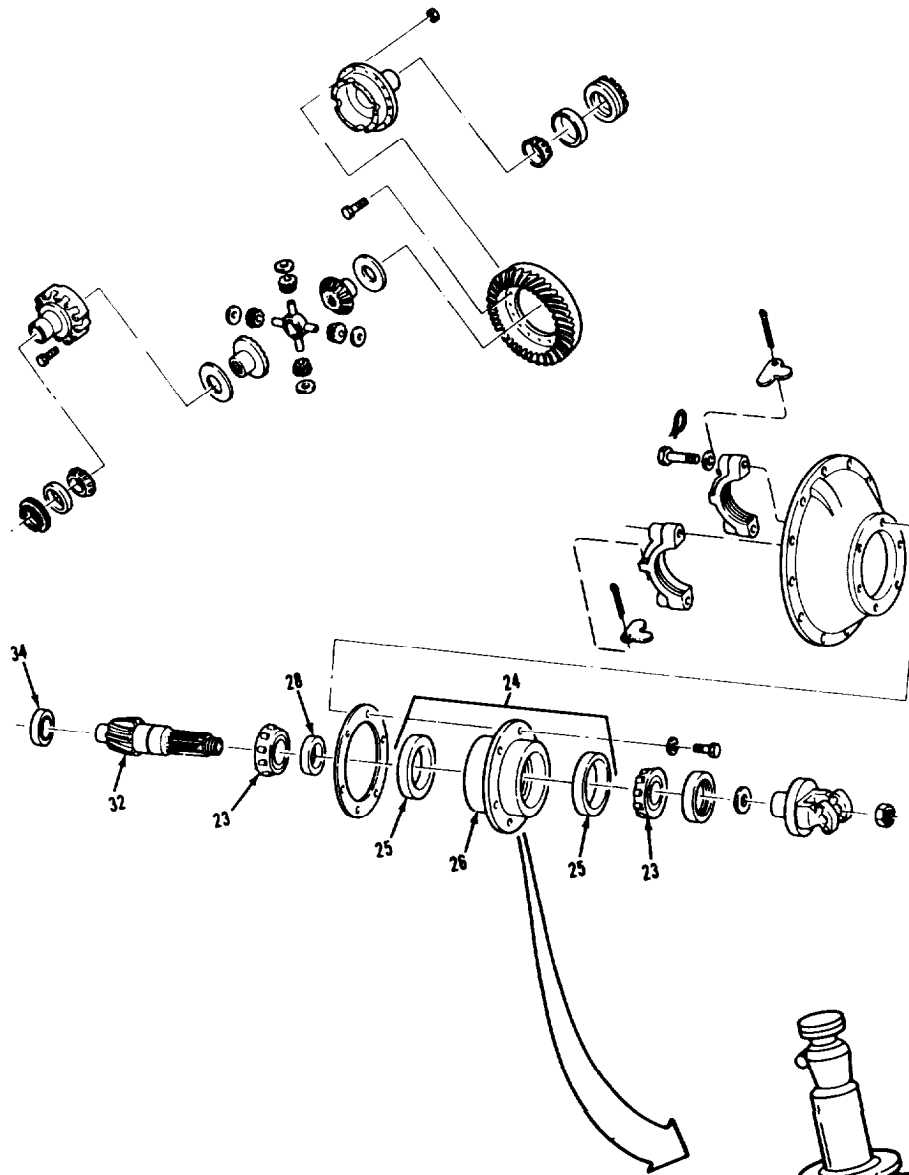
REAR TANDEM AXLES.

3-76. REAR-REAR AXLE CARRIER REPAIR (Continued).

LOCATION/ITEM	ACTION	REMARKS
E. ADJUSTING PINION BEARING PRELOAD (Continued).		
52. Assembled pinion bearing cage and cup assembly (24).	For final pinion bearing preload test, adjust as follows:	Item (26) should be assembled with items (25), (23), (34), (32), and correct item (28).
	a. Place assembled item (26) with a suitable sleeve or spacer so that load is applied directly to the back face of item (25) as shown.	
	b. Apply hydraulic press load of 13.5 to 15.5 tons to item (24).	
	c. Wrap soft wire around assembled item (26) and attach a spring scale as shown.	
	d. Pull spring scale. Preload is correct when torque required to rotate assembled item (24) is from 15-35 lb-in..	If necessary, adjust pinion bearing preload by changing item (28). A thicker item (28) will decrease preload. A thinner item (28) will increase preload.

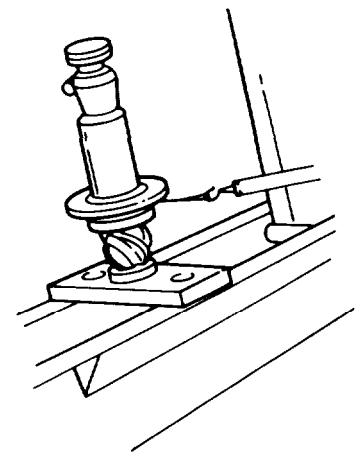
REAR TANDEM AXLES.

3-76. REAR-REAR AXLE CARRIER REPAIR (Continued).



LEGEND:

- 23. PINION BEARING CONE (2)
- 24. PINION BEARING CAGE AND CUP ASSEMBLY
- 25. PINION BEARING CUP (2)
- 26. PINION BEARING CAGE
- 28. PINION BEARING SPACER
- 32. DRIVE PINION
- 34. PINION PILOT BEARING



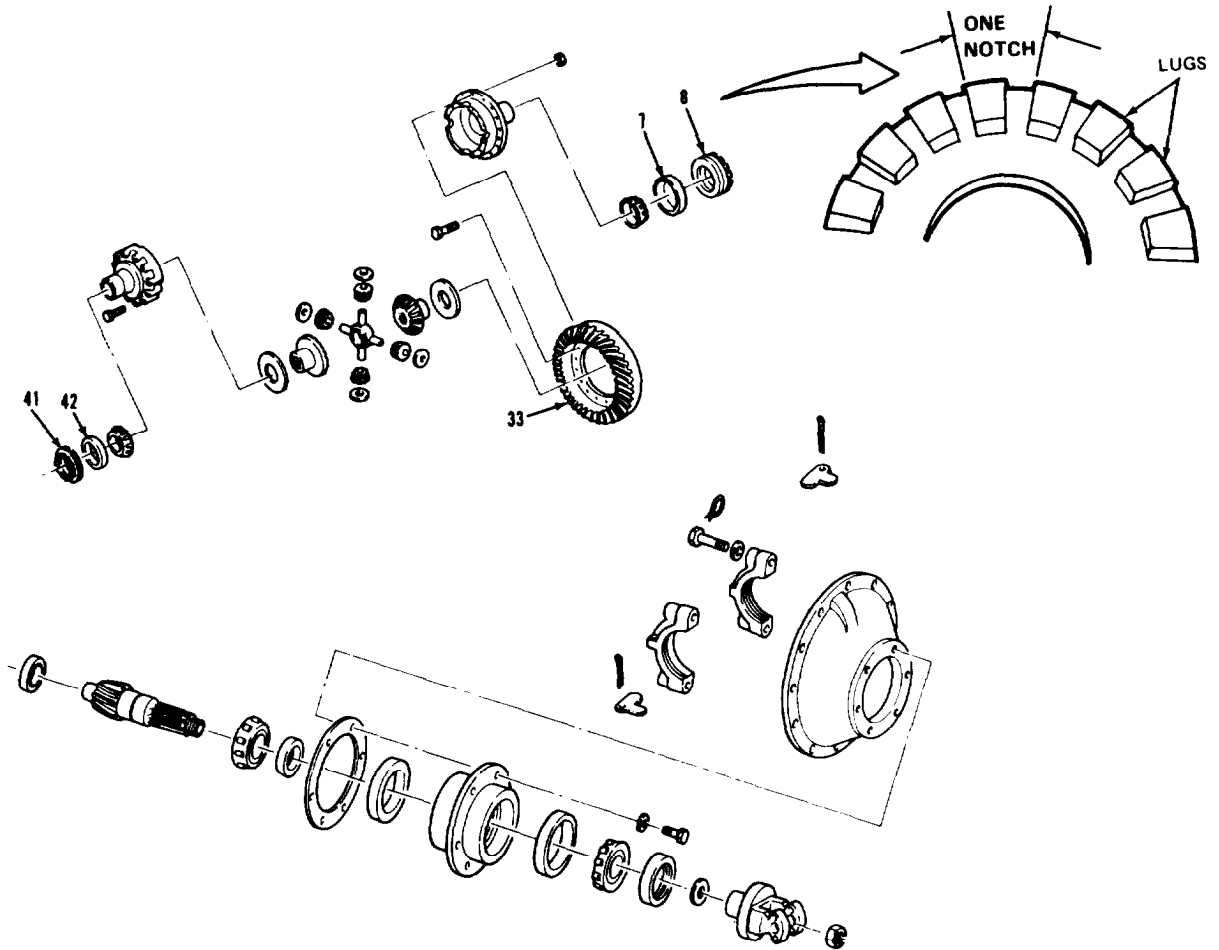
TA 23840

REAR TANDEM AXLES.

3-76. REAR-REAR AXLE CARRIER REPAIR (Continued).		
LOCATION/ITEM	ACTION	REMARKS
F. ADJUSTING DIFFERENTIAL PRELOAD.		
53. Adjusters (8) and (41).	Adjust differential preload as follows:	Tightening preloads the bearings, and provides proper gear backlash.
	a. Loosen item (41) on same side as ring gear teeth until its first thread is visible.	
	b. Tighten item (8) on other side until there is not backlash.	This can be tested by facing item (33) and pushing item (33) away from the body while gently rocking item (33) from side to side. There should be no free movement.
	c. Rotate item (33) and check for any point where item (33) may bind. If such a point exists, loosen and retighten item (41). Make all further adjustments from the point of tightest mesh.	
G. ADJUSTING RING GEAR BACKLASH.		
54. Adjusters (8) and (41).	Adjust ring gear backlash as follows:	
	a. Loosen item (8) on notch.	One notch is the movement of the lead edge of one adjuster lug to the lead edge of the next lug post at a preselected point as shown.
	b. Tighten item (41) on the teeth side of item (33) until it contacts item (42).	Contact is felt in the form of increased resistance to item (41) movement.

REAR TANDEM AXLES.

3-76. REAR-REAR AXLE CARRIER REPAIR (Continued).



LEGEND:

- 7. DIFFERENTIAL BEARING CUP
- 8. DIFFERENTIAL BEARING ADJUSTER
- 33. RING GEAR
- 41. DIFFERENTIAL BEARING ADJUSTER
- 42. DIFFERENTIAL BEARING CUP

TA 238409

REAR TANDEM AXLES.

3-76. REAR-REAR AXLE CARRIER REPAIR (Continued).		
LOCATION/ITEM	ACTION	REMARKS
G. ADJUSTING RING GEAR BACKLASH (Continued).		
NOTE		
Backlash specifications are for new ring gear and drive pinion assemblies only. Reset used gearing to backlash recorded before disassembly.		
54. Adjusters (8) and (41) (continued).	Adjust ring gear backlash as follows (continued):	
	c. Mount dial indicator as shown. Tighten item (41) two or three notches and check item (33) backlash.	Backlash should be between 0.006 and 0.016.
	d. To add backlash loosen item (8) on back face side of item (33) one notch at a time. Tighten item (41) on opposite side until it contacts item (42). Continue to tighten item (41) two or three notches.	
	e. To remove backlash loosen item (41) on the teeth side of item (33) one notch at a time. Tighten item (8) until it contacts item (7). Continue to tighten item (8) two or three notches. Recheck backlash.	

REAR TANDEM AXLES.

3-76. REAR-REAR AXLE CARRIER REPAIR (Continued).

LEGEND:

- 7. DIFFERENTIAL BEARING CUP
- 8. DIFFERENTIAL BEARING ADJUSTER
- 33. RING GEAR
- 41. DIFFERENTIAL BEARING ADJUSTER
- 42. DIFFERENTIAL BEARING CUP

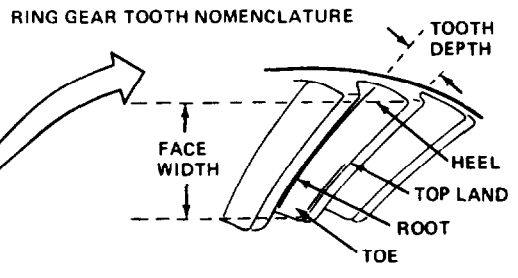
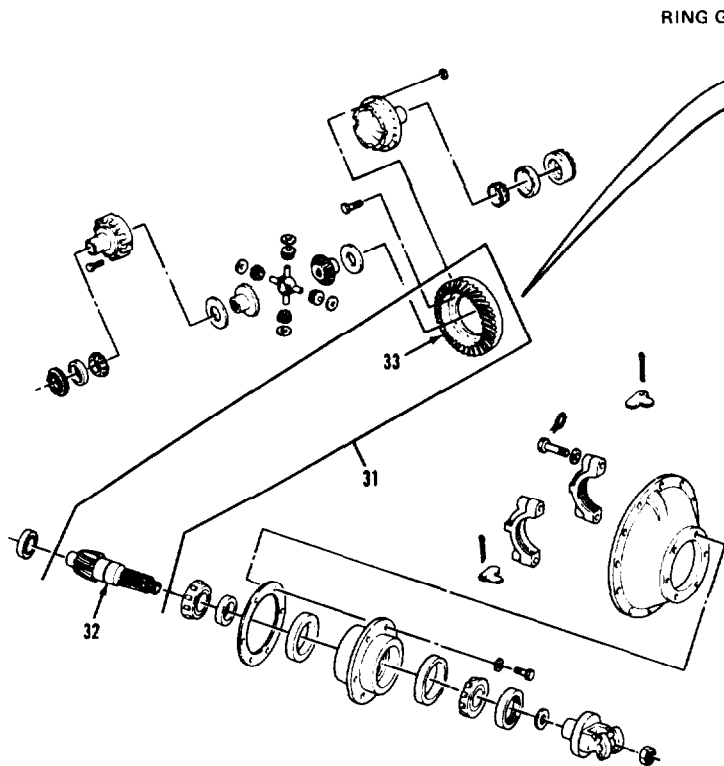
TA23841

REAR TANDEM AXLES.

3-76. REAR-REAR AXLE CARRIER REPAIR (Continued).

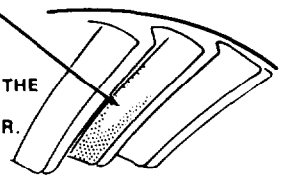
LOCATION/ITEM	ACTION	REMARKS
<p>H. RING GEAR AND PINION TOOTH CONTACT.</p>		
55. Gear (33).	Coat nine teeth on item (33) with marking compound.	This represents the total number of teeth on item (32).
56. Used ring gear and drive pinion (31).	Used item (31) tooth contact should show the following:	Roll item (33) to obtain a contact pattern. Refer to illustration for item (33) tooth nomenclature and correct tooth patterns.
	a. Used item (31) will have a pocket at the toe-end of the gear tooth which tails into a contact line along the root of tooth.	
	b. A correct pattern is clear of the toe and centers evenly along the face width between the top land and root.	The length and shape of the pattern are considered acceptable as long as it does not run off the tooth at any point.
57. New ring gear and drive pinion (31).	New item (31) tooth contact should show the following:	Roll item (33) to obtain a contact pattern. Refer to illustration for item (33) tooth nomenclature and correct tooth patterns.
	a. The pattern is well centered on the tooth of item (33) with lengthwise contact clear of the toe.	
	b. The length of the pattern in an unloaded condition is approximately one-half to two-thirds of tooth of item (33).	

REAR TANDEM AXLES.



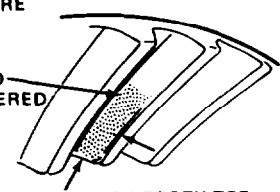
CORRECT PATTERN (USED GEARING)

- POCKET MAY BE EXTENDED.
- PATTERN ALONG THE FACE WIDTH COULD BE LONGER.



CORRECT PATTERN (NEW GEARING)

- COULD VARY IN LENGTH PATTERN SHOULD COVER 1/2 TOOTH OR MORE (FACE WIDTH).
- PATTERN SHOULD BE EVENLY CENTERED BETWEEN TOOTH TOP LAND AND ROOT
- PATTERN SHOULD BE CLEAR OF TOOTH TOE



LEGEND:

- 31. RING GEAR AND DRIVE PINION
- 32. DRIVE PINION
- 33. RING GEAR

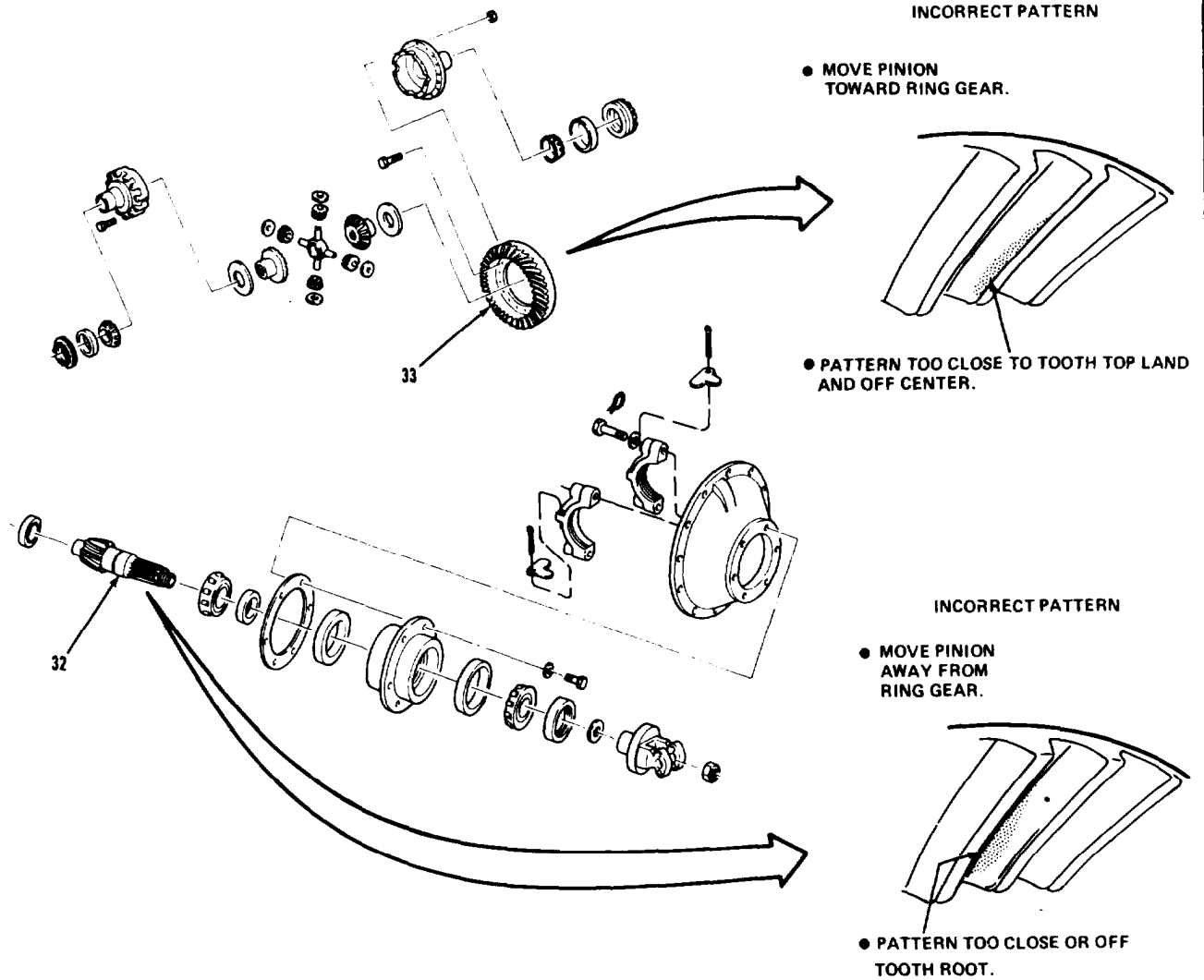
TA 238411

REAR TANDEM AXLES.

3-76. REAR-REAR AXLE CARRIER REPAIR (Continued).		
LOCATION/ITEM	ACTION	REMARKS
<p>I. ADJUSTING TOOTH CONTACT PATTERN.</p> <p>NOTE</p> <p>Ring gear backlash controls the ring gear position. This adjustment moves the contact pattern along the face width of the ring gear tooth. Pinion position is determined by the size of the pinion bearing cage shim pack. It controls contacts on the tooth depth of the ring gear tooth.</p> <p>When making adjustments, first adjust the drive pinion, then the backlash. Continue this method, until the pattern is correct.</p> <p>Check ring gear backlash after each shim change and adjust if necessary to maintain the 0.006 to 0.016 inch for new ring and pinion gear.</p>		
58. Pinion (32).	<p>Refer to illustrations and adjust item (32) position as follows:</p> <ul style="list-style-type: none"> a. If item (33) tooth pattern is too close to the top land, move item (32) toward item (33) by removing shims. b. If item (.33) tooth pattern is too close to the root of the tooth, move pinion away from item (33) by adding shims. 	<p>Refer to steps 18 and 45 for shim removal and installation.</p>

REAR TANDEM AXLES.

3-76. REAR-REAR AXLE CARRIER REPAIR (Continued).



LEGEND:

- 32. DRIVE PINION
- 33. RING GEAR

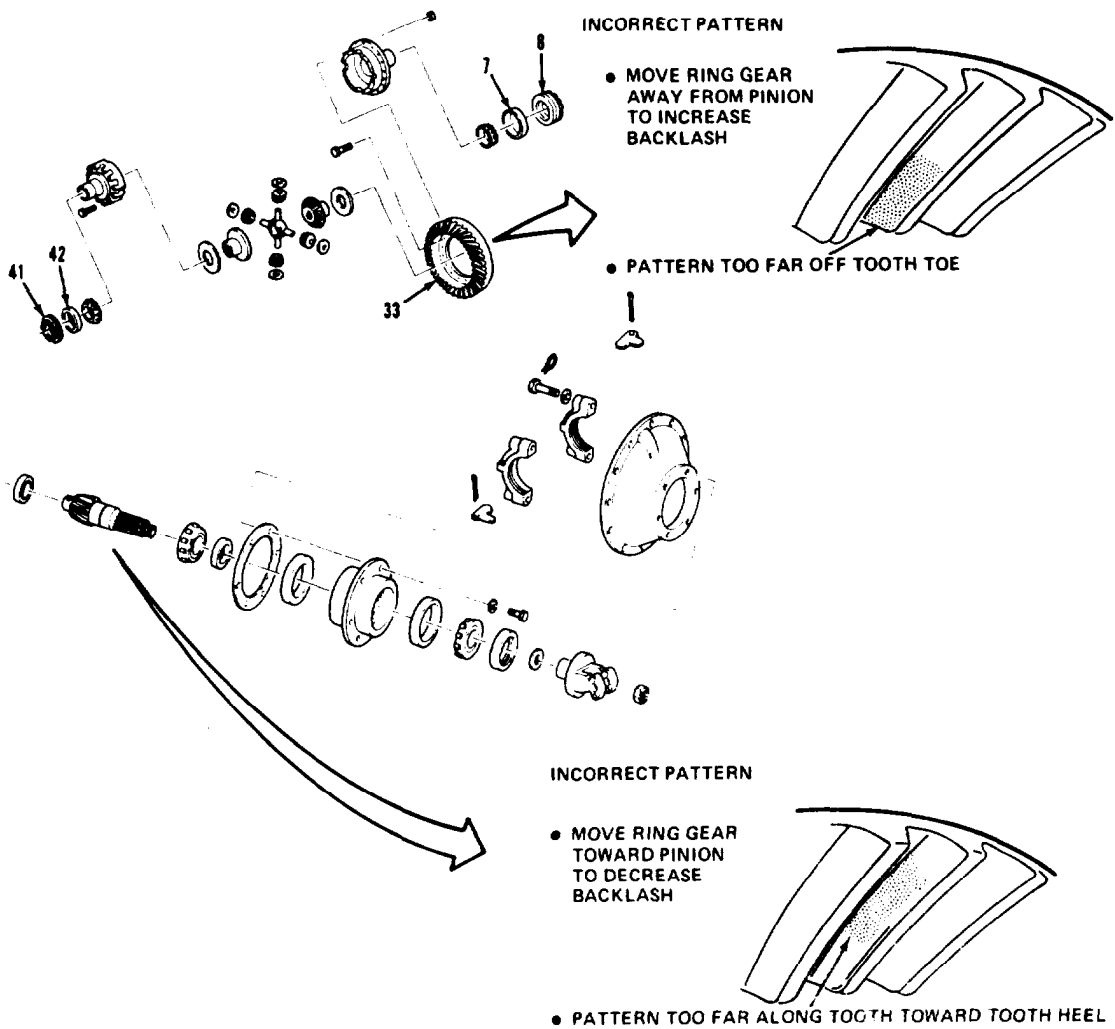
TA 238412

REAR TANDEM AXLES.

3-76. REAR-REAR AXLE CARRIER REPAIR (Continued).		
LOCATION/ITEM	ACTION	REMARKS
I . ADJUSTING TOOTH CONTACT PATTERN (Continued).		
59. Adjusters (8) and (41).	<p>Refer to illustrations and adjust backlash if contact patterns are similar to illustrations.</p> <p>a. If pattern is too far off tooth toe, add backlash by loosening item (8) on the back face side of item (33) one notch at a time. Tighten item (41) until it contacts item (42). Continue to tighten item (41) two or three notches. Recheck backlash.</p> <p>b. If pattern is too far toward tooth heel, remove backlash by loosening item (41) on the tooth side of item (33) one notch at a time. Tighten item (8) until it contacts item (7). Continue to tighten the same item (8) two or three notches. Recheck backlash.</p>	

REAR TANDEM AXLES.

3-76. REAR-REAR AXLE CARRIER REPAIR



LEGEND:

- 7. DIFFERENTIAL BEARING CUP
- 8. DIFFERENTIAL BEARING ADJUSTER
- 33. RING GEAR
- 41. DIFFERENTIAL BEARING ADJUSTER
- 42. DIFFERENTIAL BEARING CUP

TA 23841

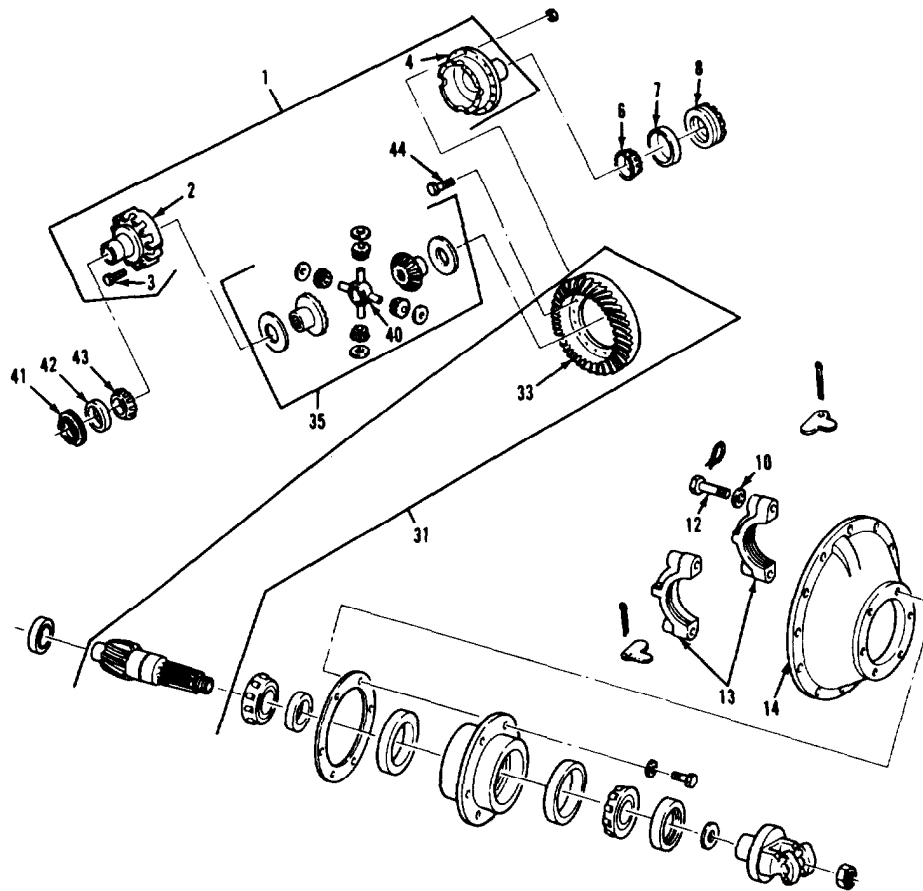
REAR TANDEM AXLES.

3-76. REAR-REAR AXLE CARRIER REPAIR (Continued).

LOCATION/ITEM	ACTION	REMARKS
J. FINAL ASSEMBLY.		
60. Four screws (12) and washers (10).	Torque to 360-440 lb-ft.	
61. Two locks (16) and (29) and new pins (15) and (30).	Install on item (13).	
62. New lockwire (11).	Install in item (12) on each item (13).	
NOTE		
Follow-on maintenance action required:		
Install rear-rear axle carrier (para 3-75).		

REAR TANDEM AXLES.

3-76. REAR-REAR AXLE CARRIER REPAIR (Continued).



LEGEND:

- 10. FLAT WASHER (4)
- 11. LOCKWIRE
- 12. DRILLED HEX HEAD SCREW (4)
- 13. BEARING CAP (2)
- 15. COTTER PIN
- 16. BEARING ADJUSTER LOCK
- 29. BEARING ADJUSTER LOCK
- 30. COTTER PIN

TA 238414

Section IX. BRAKE SYSTEM

3-77. GENERAL.

This section provides procedures authorized at direct and general support maintenance levels to adjust, replace, and repair brake sytem components. To find a specific procedure contained in this section, see the task summary below.

3-78. TASK SUMMARY.

INITIAL SETUP

<p>APPLICABLE CONFIGURATIONS All.</p>	<p>EQUIPMENT CONDITION <u>PARAGRAPH</u> <u>CONDITION DESCRIPTION</u> (Refer to specific paragraph for this</p>
---	---

TEST EQUIPMENT
Gage, air pressure, 0-200 psi

SPECIAL TOOLS
None.

MATERIALS/PARTS (P/N)

<p>Paint Item 25, Appendix B. Oil, lubricating: OE/HDO 30 Item 17, Appendix B. Rags, wiping Item 26, Appendix B. Solvent, drycleaning, SD-2 Item 31, Appendix B Grease, pneumatic Item 10, Appendix B. Tape, thread sealing Item 35, Appendix B. Preformed packing (06853) 239898.</p>	<p>0-ring (06853) 238327. Preformed packing (06853) 232068. Preformed packing (06853) 231159. Gasket (06853) 240457. Kit, brake valve repair (06853) 289352. Lining (2) (52304) 5731471. Lining (2) (52304) 5731493.</p>	<p>Rivet (52) (52304) 5731473. Diaphragm (2) (50153) 1126M009. 0-ring (50153) 11M114 Governor gasket (06853) 237202. 0-ring (2) (06853) 239658. 0-ring (2) (06853) 230175.</p>
--	--	--

PERSONNEL REQUIRED
Two (MOS-63W).

SPECIAL ENVIRONMENTAL CONDITIONS
Work area clean and away from blowing dirt and dust.

REFERENCE (TM)
TM 9-2320-283-10.
TM 9-2320-283-20.
TM 9-2320-283-34P.

GENERAL SAFETY INSTRUCTIONS
Block rear wheels.

TROUBLESHOOTING REFERENCES
Paragraph 2-7.

BRAKE SYSTEM

3-78. TASK SUMMARY (Continued).

LIST OF TASKS

TASK NO.	TASK	TASK REF	TROUBLESHOOTING REF NO. (PARA)
1	Trailer Handbrake Valve Repair	3-79	
	a. Disassembly.	3-79a	
	b. Cleaning.	3-79b	
	c. Inspection.	3-79c	
	d. Assembly.	3-79d	
2	Brake Treadle Valve Repair	3-80	
	a. Disassembly.	3-80a	
	b. Cleaning and Inspection.	3-80b	
	c. Assembly.	3-80c	
	d. Operational Check.	3-80d	
3	Brake Shoe Repair	3-81	
	a. Disassembly.	3-81a	
	b. Cleaning.	3-81 b	
	c. Inspection.	3-81c	
	d. Assembly.	3-81d	
	e. Final Inspection.	3-81e	
4	Forward Rear Axle Brake Chamber Repair	3-82	
	a. Disassembly.	3-82a	
	b. Cleaning.	3-82b	
	c. Inspection.	3-82c	
	d. Assembly.	3-82d	
5	Air Compressor Governor Adjustment	3-83	2-7
6	Air Compressor Governor Replacement	3-84	2-7
	a. Removal.	3-84a	
	b. Cleaning.	3-84b	
	c. Inspection.	3-84c	
	d. Installation.	3-84d	
7	Air Compressor Governor Repair	3-85	2-7
	a. Disassembly.	3-85a	
	b. Cleaning.	3-85b	
	c. Inspection.	3-85c	
	d. Assembly.	3-85d	

REAR TANDEM AXLES.

3-79. TRAILER HANDBRAKE VALVE REPAIR.

THIS TASK COVERS

- a. Disassembly.
- b. Cleaning.
- c. Inspection.
- d. Assembly.

INITIAL SETUP

<u>APPLICABLE CONFIGURATIONS</u>	<u>EQUIPMENT CONDITION PARAGRAPH</u>	<u>CONDITION DESCRIPTION</u>
ALL.	TM 9-2320-283-20.	Trailer handbrake valve removed.

TEST EQUIPMENT

None.

SPECIAL TOOLS

Staking tool
(33287) J-26883.

MATERIALS/PARTS (P/N)

Solvent, drycleaning, SD-2 Item 31, Appendix B.	Preformed packing (06853) 232068.
Grease, pneumatic Item 10, Appendix B.	Preformed packing (06853) 231159.
Preformed packing (06853) 239898.	Gasket (06853) 240457.
O-ring (06853) 238327.	

PERSONNEL REQUIRED

One (MOS-63W).

SPECIAL ENVIRONMENTAL CONDITIONS

None.

REFERENCES (TM)

TM 9-2320-283-10.
TM 9-2320-283-20.

GENERAL SAFETY INSTRUCTIONS

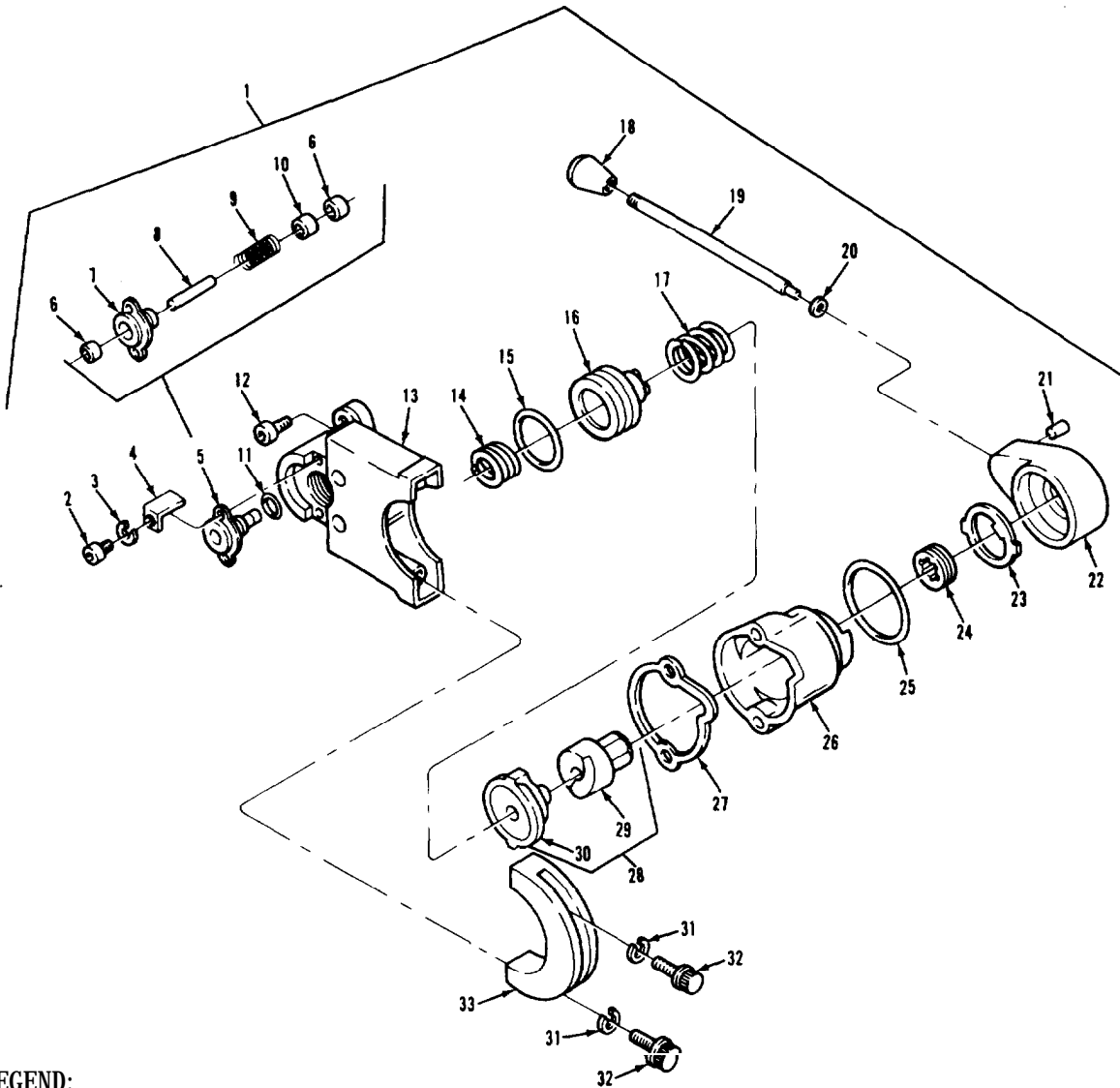
None.

TROUBLESHOOTING REFERENCES

None.

BRAKE SYSTEM

3-79. TRAILER HANDBRAKE VALVE REPAIR (Continued).



LEGEND:

- | | | |
|-----------------------|-----------------------|-----------------------|
| 1. HAND CONTROL VALVE | 12. SCREW (2) | 23. LOCKING RING |
| 2. SCREW (2) | 13. VALVE BODY | 24. ADJUSTING RING |
| 3. LOCKWASHER (2) | 14. SPRING | 25. PREFORMED PACKING |
| 4. DESIGNATION PLATE | 15. O-RING | 26. VALVE COVER |
| 5. VALVE ASSEMBLY | 16. PISTON | 27. GASKET |
| 6. VALVE (2) | 17. SPRING | 28. CAM AND FOLLOWER |
| 7. VALVE SEAT | 18. KNOB | 29. CAM FOLLOWER |
| 8. VALVE STEM | 19. LEVER | 30. CAM |
| 9. SPRING | 20. PREFORMED PACKING | 31. LOCKWASHER (2) |
| 10. VALVE GUIDE | 21. PIN | 32. BOLT (2) |
| 11. PREFORMED PACKING | 22. HEAD | 33. RETAINING STRAP |

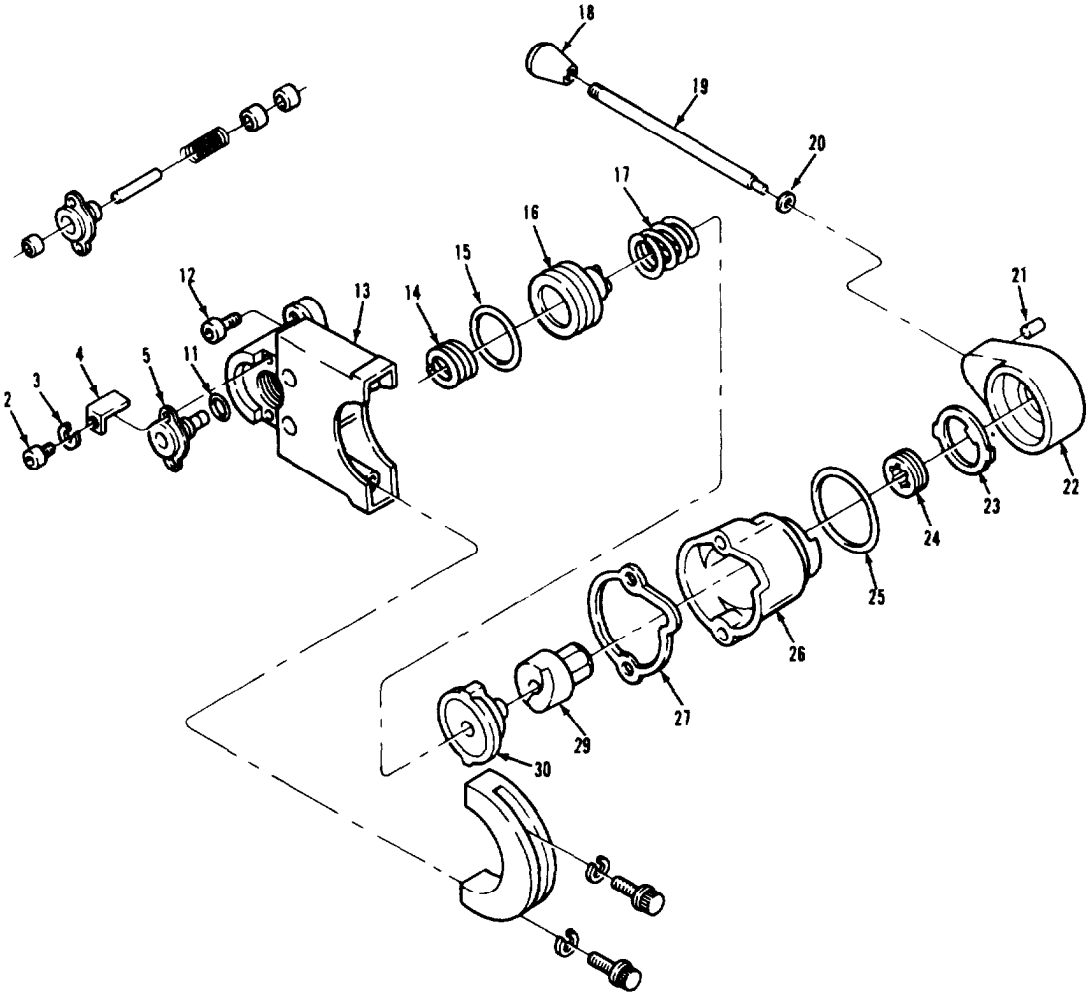
TA238416

BRAKE SYSTEM

3-79. TRAILER HANDBRAKE VALVE REPAIR (Continued).		
LOCATION/ITEM	ACTION	REMARKS
A. DISASSEMBLY.		
1. Two screws (2) and lockwashers (3).	Remove.	
2. Plate (4).	Lift off.	
3. Valve assembly (5).	Pull out of item (13).	
4. Packing (11).	Remove.	Discard.
5. Two screws (12).	Remove.	
6. Body (13) and cover (26).	Separate.	
7. Spring (17) and gasket (27).	Remove.	Discard item (27).
8. Piston (16).	Push out of item (13).	
9. O-ring (15).	Remove from item (16).	Discard item (15).
10. Spring (14).	Remove.	
11. Pin (21).	Drive out of item (22).	Use pin punch.
12. Lever (19).	Remove.	
13. Packing (20).	Remove from item (19).	Discard item/(20).
14. Knob (18).	Remove from item (19) by pulling and twisting.	
15. Cam (30) and follower (29).	Remove from item (26).	
16. Gasket (27).	Discard.	
17. Packing (25).	Remove.	Discard.
18. Rin (23) and ring (24).	Remove from item (26).	Unscrew item (24).
19. Two valves (6).	Remove.	

BRAKE SYSTEM

3-79. TRAILER HANDBRAKE VALVE REPAIR (Continued).



LEGEND:

- | | | |
|-----------------------|-----------------------|-----------------------|
| 2. SCREW (2) | 15. O-RING | 23. LOCKING RING |
| 3. LOCKWASHER (2) | 16. PISTON | 24. ADJUSTING RING |
| 4. DESIGNATION PLATE | 17. SPRING | 25. PREFORMED PACKING |
| 5. VALVE ASSEMBLY | 18. KNOB | 26. VALVE COVER |
| 11. PREFORMED PACKING | 19. LEVER | 27. GASKET |
| 12. SCREW (2) | 20. PREFORMED PACKING | 29. CAM FOLLOWER |
| 13. VALVE BODY | 21. PIN | 30. CAM |
| 14. SPRING | 22. HEAD | |

TA 238416

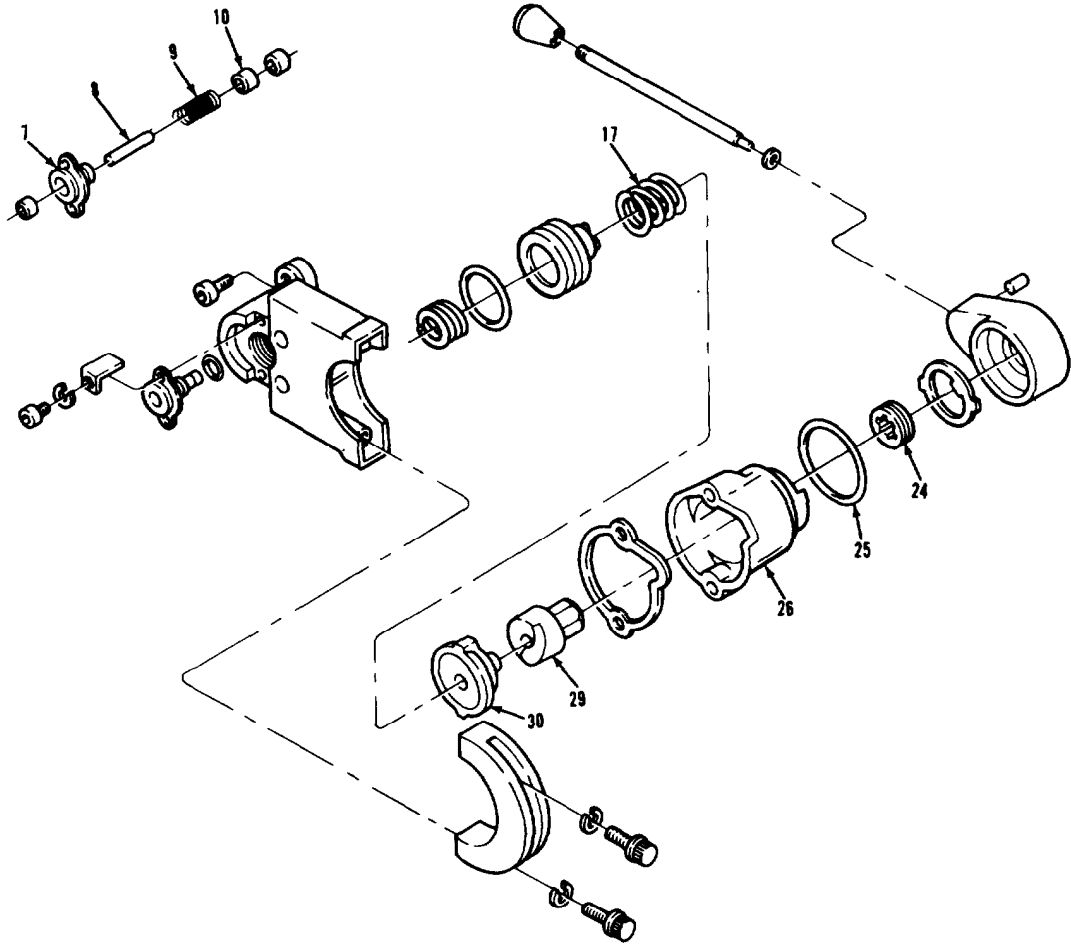
BRAKE SYSTEM

3-79. TRAILER HANDBRAKE VALVE REPAIR (Continued).

LOCATION/ITEM	ACTION	REMARKS
A. DISASSEMBLY (Continued).		
20. Seat (7), stem (8), spring (9), and guide (10).	Disassemble.	
B. CLEANING.		
<u>CAUTION</u>		
Do not clean rubber parts in solvent. Wipe them clean and dry with lint free towel.		
21. All metal parts.	Clean.	Refer to paragraph 3-4.
C. INSPECTION.		
22. All parts.	<ul style="list-style-type: none"> a. Inspect item (7) for nicks or burrs. b. Inspect item (9) and item (17) for distortion, cracks, and corrosion. c. Inspect all other parts for wear, cracks, corrosion, nicks, and burrs. 	<ul style="list-style-type: none"> Remove any deposits. Replace if not serviceable. Replace all broken parts and parts failing inspection.
D. ASSEMBLY.		
23. Packing (25).	Install on item (26).	
24. Cam (30) and follower (29).	Lubricate with pneumatic grease, assemble and install.	Aline tabs on item (29) with opening in item (26).
25. Ring (24).	Install until flush with tip of item (26).	

BRAKE SYSTEM

3-79. TRAILER HANDBRAKE VALVE REPAIR (Continued).



LEGEND:

- 7. VALVE SEAT
- 8. VALVE STEM
- 9. SPRING
- 10. VALVE GUIDE
- 17. SPRING

- 24. ADJUSTING RING
- 25. PREFORMED PACKING
- 26. VALVE COVER
- 29. CAM FOLLOWER
- 30. CAM

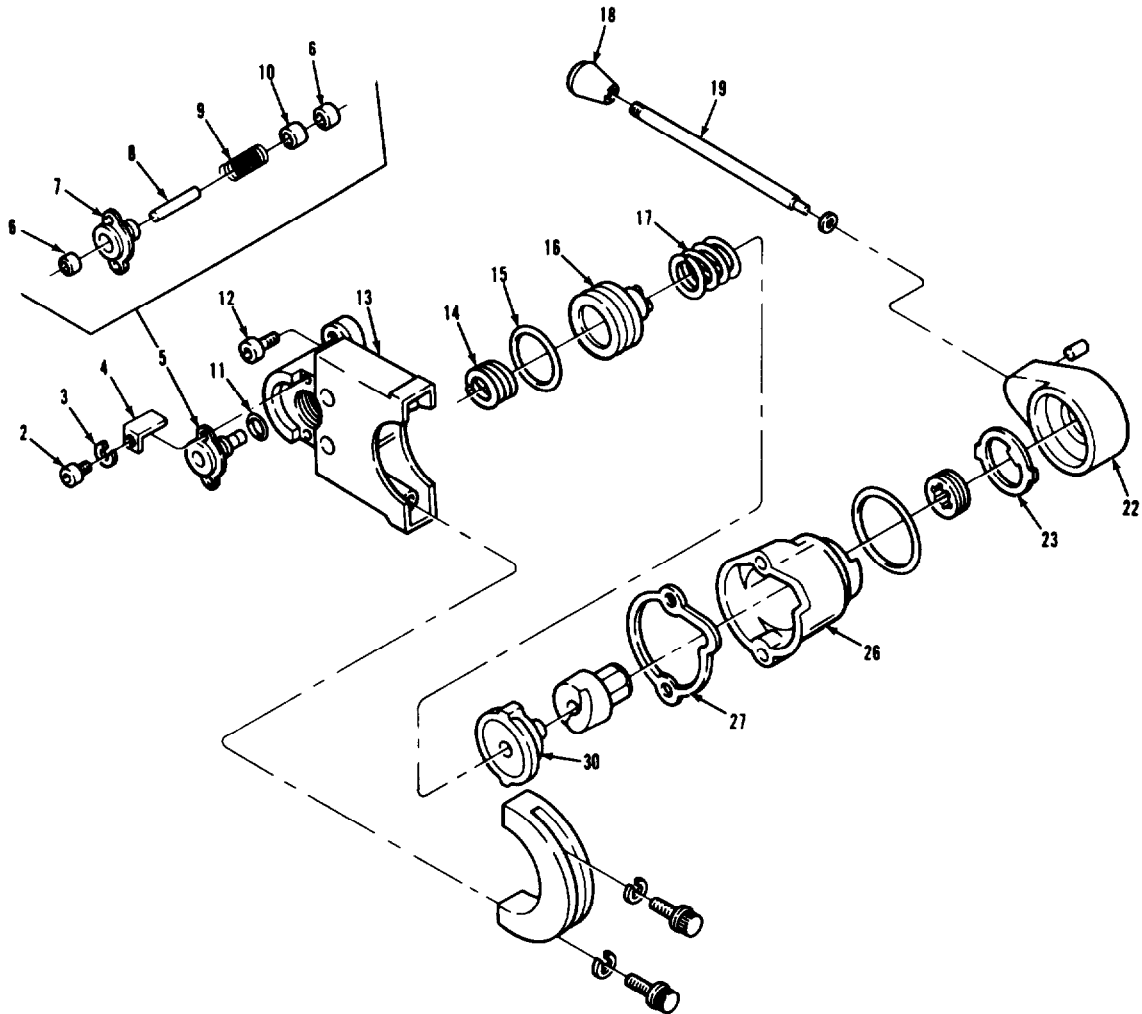
TA 238417

BRAKE SYSTEM

3-79. TRAILER HANDBRAKE VALVE REPAIR (Continued).		
LOCATION/ITEM	ACTION	REMARKS
D. ASSEMBLY (Continued).		
26. Spring (17).	Install onto item (30).	
27. Spring (14).	Install onto item (13).	
28. O-ring (15).	Install onto item (16).	Lubricate with pneumatic grease.
29. Piston (16) and O-ring (15).	Press into item (13).	
30. Gasket (27).	Position on item (26).	
31. Body, (13) and cover	Assemble. Secure with two items (12). Torque to 75-95 lb-in..	
32. One valve (6).	Press onto item (8).	
33. Stem (8) with valve (6).	Place into item (7).	Use capscrew to hold item (6) in item (7).
34. Spring (9) and guide (10).	Install on item (8) and depress into item (7).	
35. Valve (6).	Press onto item (8).	
36. Packing (11).	Install on item (5).	
37. Valve assembly (5).	Install into item (13).	
38. Plate (4).	Install.	
39. Two screws (2) and two lockwashers (3).	Install and torque to 60-80 lb-in..	
40. Ring (23).	Install.	
41. Head (22).	Install on item (26).	
42. Knob (18).	Push and twist onto item (19).	

BRAKE SYSTEM

3-79. TRAILER HANDBRAKE VALVE REPAIR (Continued).



LEGEND:

- | | |
|-----------------------|------------------|
| 2. SCREW (2) | 14. SPRING |
| 3. LOCKWASHER (2) | 15. O- RING |
| 4. DESIGNATION PLATE | 16. PISTON |
| 5. VALVE ASSEMBLY | 17. SPRING |
| 6. VALVE (2) | 18. KNOB |
| 7. VALVE SEAT | 19. LEVER |
| 8. VALVE STEM | 22. HEAD |
| 9. SPRING | 23. LOCKING RING |
| 10. VALVE GUIDE | 26. VALVE COVER |
| 11. PREFORMED PACKING | 27. GASKET |
| 12. SCREW (2) | 30. CAM |
| 13. VALVE BODY | |

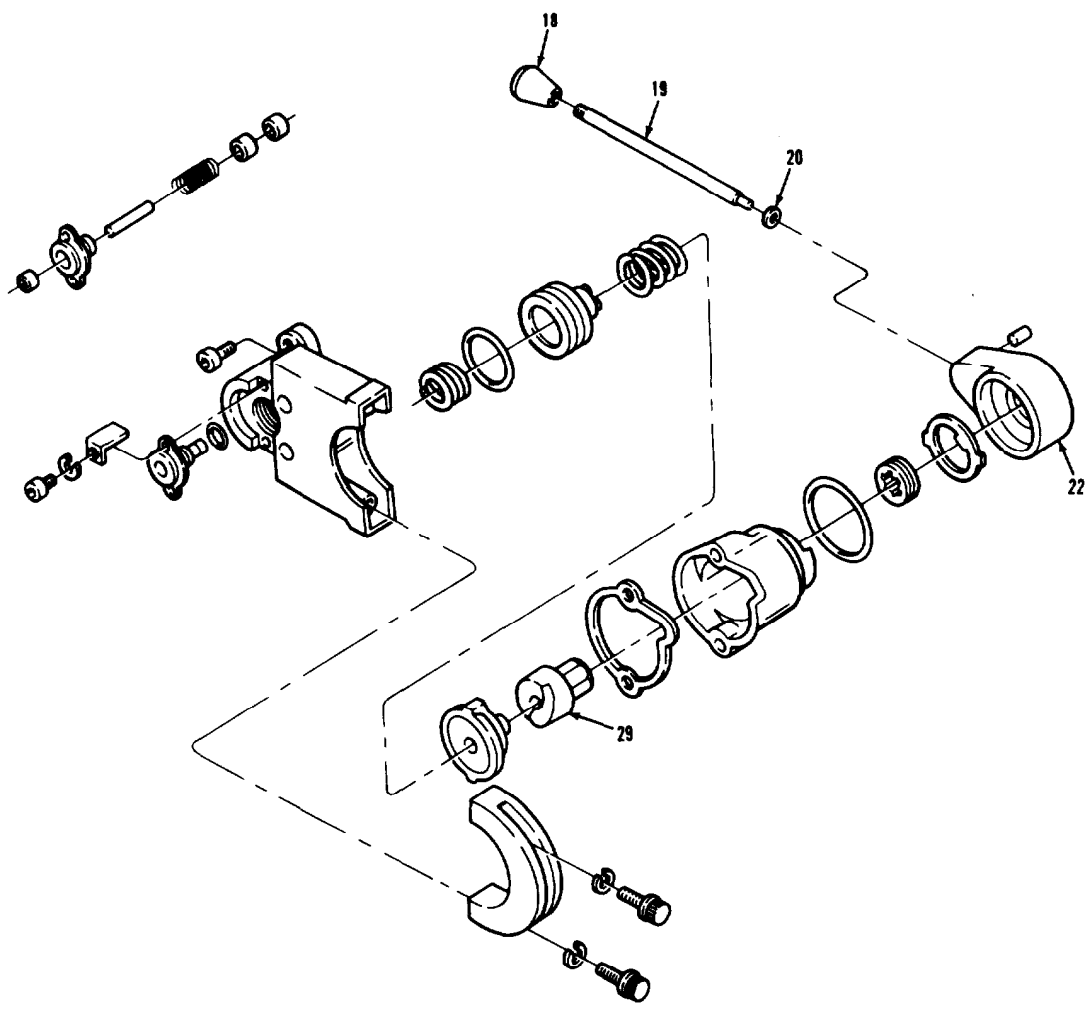
TA 238418

BRAKE SYSTEM

3-79. TRAILER HANDBRAKE VALVE REPAIR (Continued).		
LOCATION/ITEM	ACTION	REMARKS
D. ASSEMBLY (Continued).		
43. Packing (20).	Install on item (19).	
44. Knob (18), lever and packing (20).	Install onto item (22).	End of item (19) fits into hole in item (29).
45. Pin (22).	Install.	Use hammer.
NOTE		
Follow-on maintenance action required:		
Install trailer handbrake valve (TM 9-2320-283-20).		
Do trailer handbrake valve operational check (TM 9-2320-283-10).		

BRAKE SYSTEM

3-79. TRAILER HAND BRAKE VALVE REPAIR (Continued).



LEGEND:

- 18. KNOB
- 19. LEVER
- 20. PREFORMED PACKING
- 22. HEAD
- 25. PREFORMED PACKING
- 29. CAM FOLLOWER

TA 238419

BRAKE SYSTEM

3-80. BRAKE TREADLE VALVE REPAIR.

THIS TASK COVERS

- a. Disassembly.
- b. Cleaning and Inspection.
- c. Assembly.
- d. Operational Check.

INITIAL SETUP

<u>APPLICABLE CONFIGURATIONS</u>	<u>EQUIPMENT CONDITION PARAGRAPH</u>	<u>CONDITION DESCRIPTION</u>
	TM 9-2320-283-20	Brake treadle valve removed.

TEST EQUIPMENT

Gage, air pressure, 0-200 psi.

SPECIAL TOOLS

None.

MATERIALS/PARTS (P/N)

Grease, automotive and artillery, GAA
Item 7, Appendix B.
Kit, brake valve repair kit
(06853) 289352.
O-ring
(06853) 294515.

PERSONNEL REQUIRED

One (MOS-63s).

SPECIAL ENVIRONMENTAL CONDITIONS

None.

REFERENCE (TM)

TM 9-2320-283-20.

GENERAL SAFETY INSTRUCTIONS

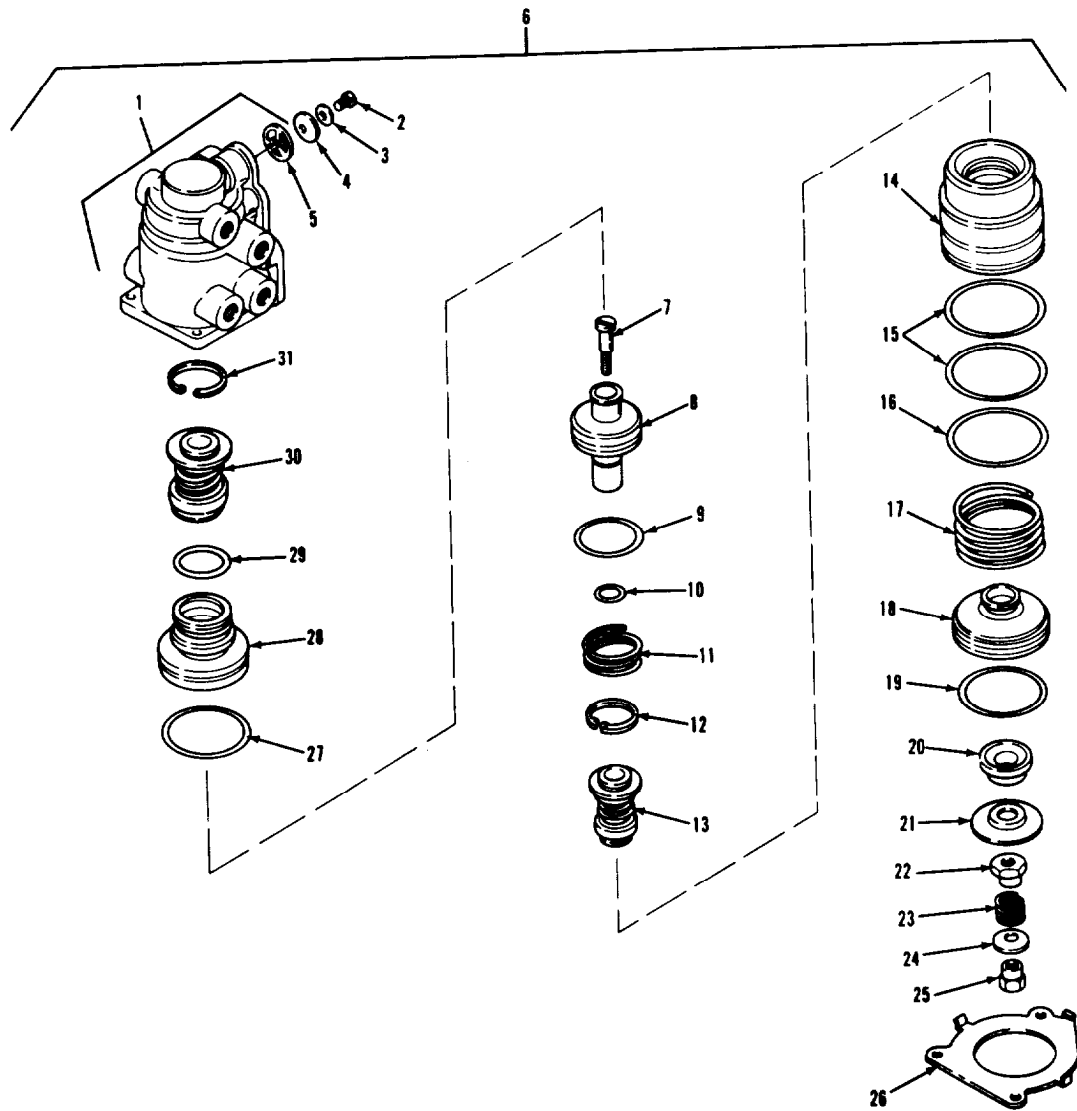
None.

TROUBLESHOOTING REFERENCES

None.

BRAKE SYSTEM

3-80. BRAKE TREADLE VALVE REPAIR (Continued).



LEGEND:

- | | | |
|-----------------------|-----------------------------|-----------------------------|
| 1. BRAKE VALVE BODY | 12. RETAINER CLIP | 22. SPRING SEAT NUT |
| 2. SCREW | 13. INLET AND EXHAUST VALVE | 23. STEM SPRING |
| 3. DIAPHRAGM WASHER | 14. LOWER STATIC PISTON | 24. SPRING SEAT |
| 4. DIAPHRAGM | 15. PREFORMED PACKING (2) | 25. HEXAGON HEAD NUT |
| 5. DIAPHRAGM RETAINER | 16. PREFORMED PACKING | 26. RETAINER |
| 6. BRAKE VALVE | 17. RETURN SPRING | 27. PREFORMED PACKING |
| 7. STEM | 18. PISTON | 28. UPPER STATIC PISTON |
| 8. RELAY PISTON | 19. PREFORMED PACKING | 29. O-RING |
| 9. PREFORMED PACKING | 20. RUBBER SPRING | 30. INLET AND EXHAUST VALVE |
| 10. PREFORMED PACKING | 21. SPRING SEAT | 31. RETAINING RING |
| 11. SPRING | | |

TA 238420

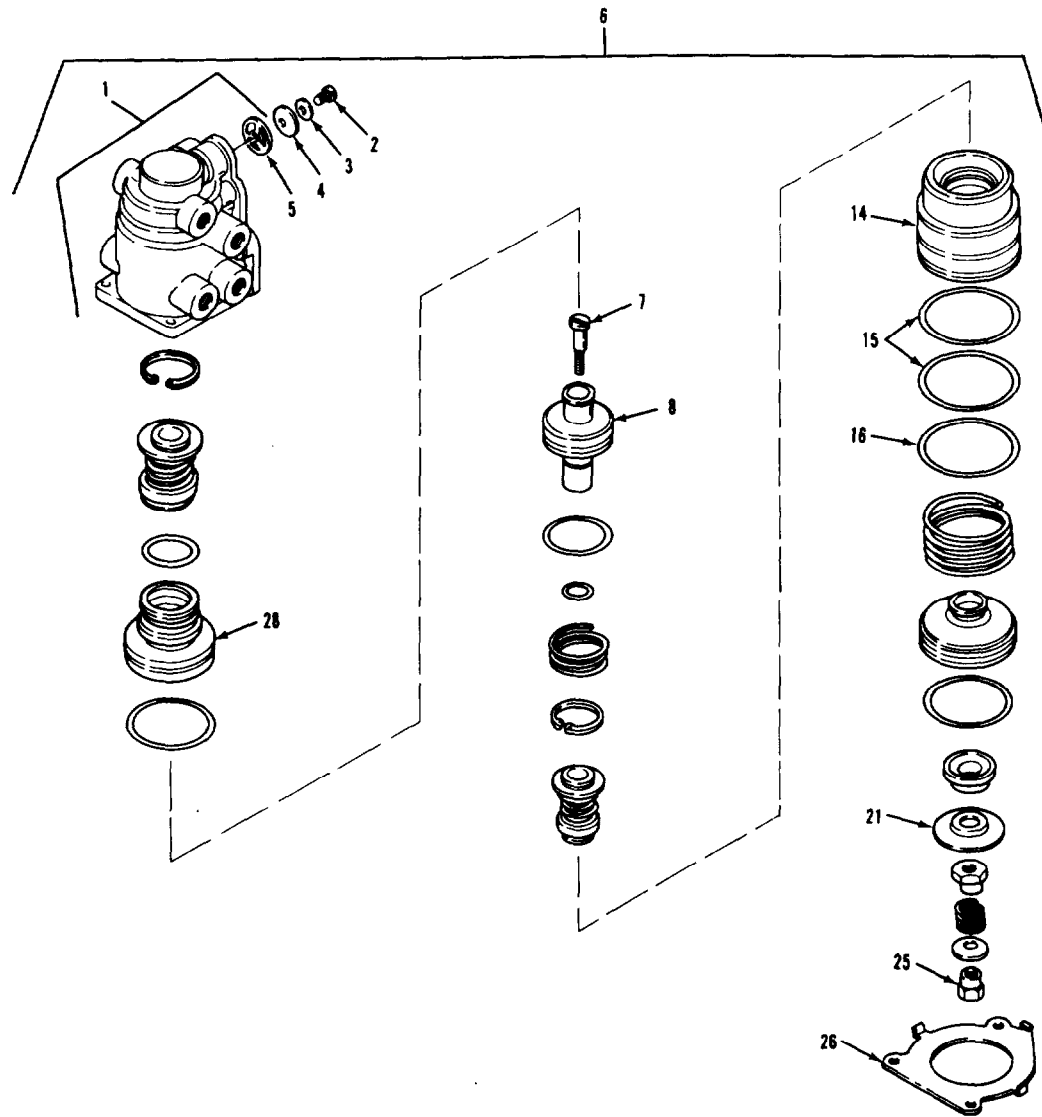
BRAKE SYSTEM

3-80. BRAKE TREADLE VALVE REPAIR (Continued).

LOCATION/ITEM	ACTION	REMARKS
<u>WARNING</u>		
Never work on air system components without first draining air pressure. Failure to follow this precaution can result in serious injury.		
A. DISASSEMBLY.		
1. Retainer (26).	Remove from bottom of item (6).	
2. Screw (2), washer (3), and diaphragm (4).	Remove from top of item (6).	Do not remove item (5) unless damaged or loose. Discard item (4).
3. Valve (6).	Clamp in vise so that item (14) may be removed.	
4. Piston (14).	Using pliers, grasp item (25) and remove entire assembly of item (14).	
5. Piston (28).	Remove from upper part of item (1).	Use a heavy gage wire with the end bent at a 90 degree angle. Insert bent end through center hole of item (28) and pull.
6. Body (1).	Remove from vise.	
7. Two packings (15) and one packing (16).	Remove from item (14).	Discard items (15) and (16).
8. Piston (14).	Mount so top and bottom are secured against vise jaws.	Make certain item (21) is compressed while in vise. Do not compress item (25).
9. Nut (25).	Remove from item (7).	Discard item (25). Insert a screwdriver through top of item (8) and onto item (7) to prevent turning while removing item (25).

BRAKE SYSTEM

3-80. BRAKE TREADLE VALVE REPAIR (Continued).



LEGEND:

- 1. BRAKE VALVE BODY
- 2. SCREW
- 3. DIAPHRAGM WASHER
- 4. DIAPHRAGM
- 5. DIAPHRAGM RETAINER
- 6. BRAKE VALVE
- 7. STEM
- 8. RELAY PISTON

- 14. LOWER STATIC PISTON
- 15. PREFORMED PACKING (2)
- 16. PREFORMED PACKING
- 21. SPRING SEAT
- 25. HEXAGON HEAD NUT
- 26. RETAINER
- 28. UPPER STATIC PISTON

TA 228421

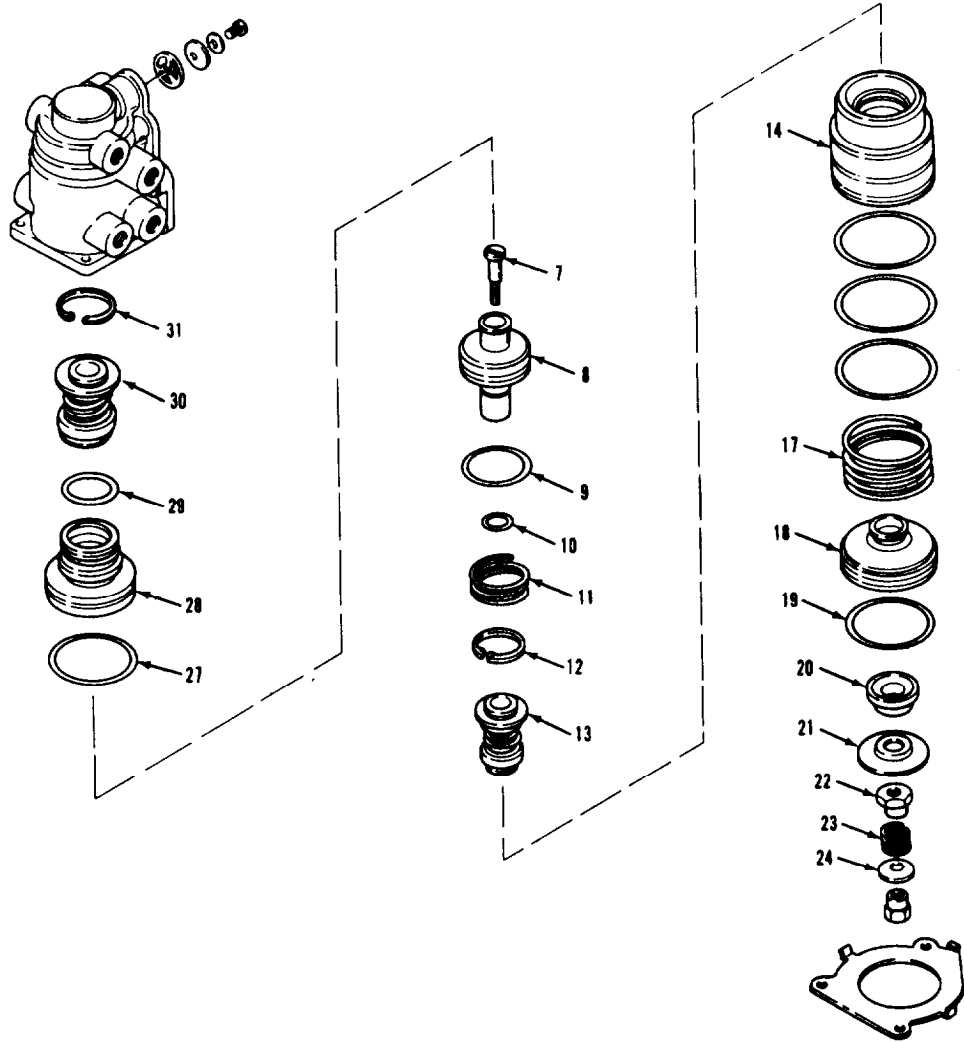
BRAKE SYSTEM

3-80. BRAKE TREADLE VALVE REPAIR (Continued).

LOCATION/ITEM	ACTION	REMARKS
A. DISASSEMBLY (Continued).		
10. Spring (23) and seat (24).	Remove from item (7).	Discard item (28).
11. Lower static piston (14).	Slowly loosen vise jaws to release spring tension and remove assembly,	When tension is released, items (7), (8), (11), (17), and (18) will fall out due to spring tension. Discard items (11) and (17).
12. Packing (19).	Remove from item (18).	Discard item (19).
13. Nut (22).	Remove from item (18).	Discard item (22).
14. Spring (20) and seat (21).	Remove from item (18).	Discard item (20).
15. Clip (12).	Using snapping pliers, remove item (12) from item (14).	
16. Valve (13).	Remove from item (14).	Discard item (13).
17. Packings (9) and (10).	Remove from item (8).	Discard items (9) and (10).
18. O-ring (29) and packing (27).	Remove from item (28).	Discard items (27) and (29).
19. Ring (31).	Using snapping pliers, remove item (31) from item (28).	
20. Valve (30).	Remove from item (28).	Discard item (30).
B. CLEANING AND INSPECTION.		
21. All metal parts.	Clean and inspect.	Refer to paragraphs 3-4 and 3-5.

BRAKE SYSTEM

3-80. BRAKE TREADLE VALVE REPAIR (Continued).



LEGEND:

- | | | |
|-----------------------------|-------------------------|-----------------------------|
| 7. STEM | 14. LOWER STATIC PISTON | 24. SPRING SEAT |
| 8. RELAY PISTON | 17. RETURN SPRING | 27. PREFORMED PACKING |
| 9. PREFORMED PACKING | 18. PISTON | 28. UPPER STATIC PISTON |
| 10. PREFORMED PACKING | 19. PREFORMED PACKING | 29. O-RING |
| 11. SPRING | 20. RUBBER SPRING | 30. INLET AND EXHAUST VALVE |
| 12. RETAINER CLIP | 21. SPRING SEAT | 31. RETAINING RING |
| 13. INLET AND EXHAUST VALVE | 22. SPRING SEAT NUT | |
| | 23. STEM SPRING | |

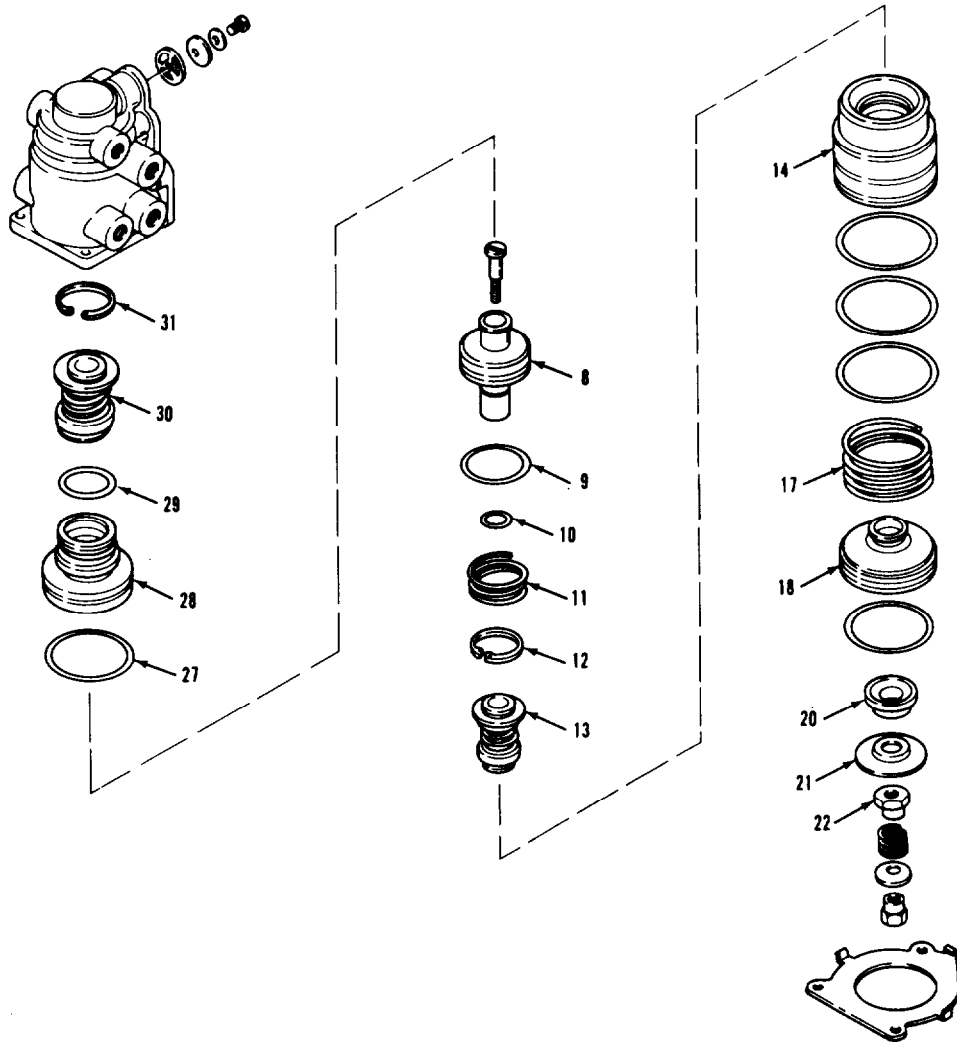
TA238422

BRAKE SYSTEM

3-80. BRAKE TREADLE VALVE REPAIR (Continued).		
LOCATION/ITEM	ACTION	REMARKS
C. ASSEMBLY.		
NOTE		
Before assembly, lubricate all pre-formed packings, O-rings, bores, and mating surfaces with GAA grease.		
22. New valve (30).	Install onto item (28).	
23. New packing (27) and O-ring (29).	Install in item (28).	
24. Ring (31).	Using snapping pliers, install item (31) into item (28).	Make certain item (31) fits correctly in the groove of item (28). Set assembled item (28) aside.
25. New packings (9) and (10).	Install onto item (8).	
26. New valve (13).	Install in item (14).	
27. Clip (12).	Using snapping pliers, install item (12) into item (14).	Make certain item (12) fits correctly in the groove of item (14).
28. New spring (20).	Install with beveled side of item (20) towards top of item (18).	
29. Seat (21).	Install onto item (20).	
30. New nut (22).	Install and tighten onto item (18).	
31. New packing (19).	Install onto item (18).	
32. Spring (11).	Install into top of item (14).	Item (11) is a small diameter spring as compared to item (17).
33. Piston (8).	Place onto item (11).	

BRAKE SYSTEM

3-80. BRAKE TREADLE VALVE REPAIR (Continued).



LEGEND:

- | | |
|-----------------------------|-----------------------------|
| 8. RELAY PISTON | 20. RUBBER SPRING |
| 9. PREFORMED PACKING | 21. SPRING SEAT |
| 10. PREFORMED PACKING | 22. SPRING SEAT NUT |
| 11. SPRING | 27. PREFORMED PACKING |
| 12. RETAINER CLIP | 28. UPPER STATIC PISTON |
| 13. INLET AND EXHAUST VALVE | 29. O-RING |
| 14. LOWER STATIC PISTON | 30. INLET AND EXHAUST VALVE |
| 17. RETURN SPRING | 31. RETAINING RING |
| 18. PISTON | |

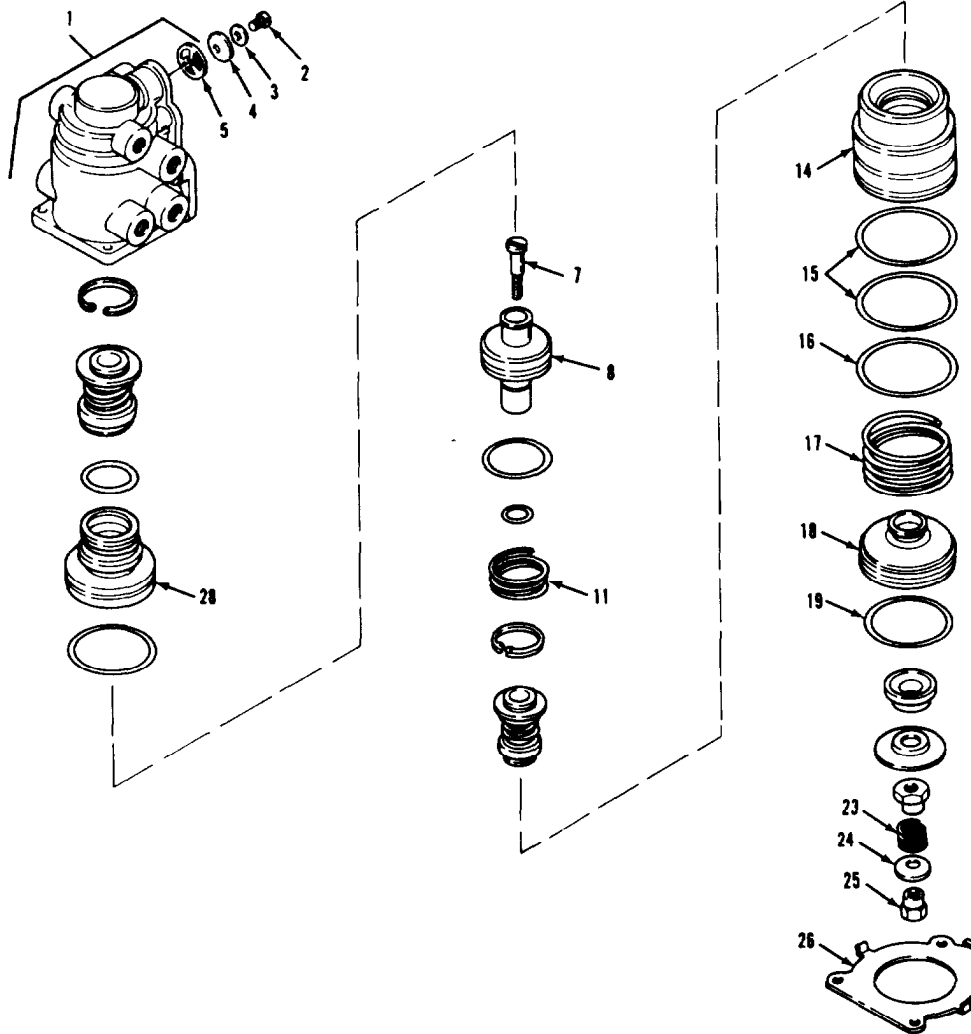
TA 238423

BRAKE SYSTEM

3-80. BRAKE TREADLE VALVE REPAIR (Continued).		
LOCATION/ITEM	ACTION	REMARKS
C. ASSEMBLY (Continued).		
34. Two new packings (15) and one packing (16).	Install two items (15) on last two grooves and item (16) on remaining groove of item (14).	
35. Piston (14).	Hold onto items (8) and (11) and turn item (14) so that slots are at the top.	
36. Spring (17).	Install into remaining end of item (14).	
37. Piston (18) with packing (19).	Place on item (17).	
38. Pistons (14), (8), and (18) and springs (11) and (17).	Compress the assembly and mount in a vise as was done in step 8.	
39. Stem (7).	Install through hole of item (8) and (18).	
40. New spring (23), seat (24), and new nut (25).	Install in that order onto item (7). Tighten item (25).	Use a screwdriver on item (7) to prevent it from turning while tightening item (25). Remove completed assembly from vise.
41. New diaphragm (4), washer (3), and screw (2).	Install in that order onto item (5).	If item (5) was not damaged or loose within item (1), it was not removed during disassembly.
42. Piston (28).	Install into item (1) with small end towards top.	
43. Piston (14).	Install into item (1) with item (25) towards the bottom.	
44. Retainer (26).	Install onto bottom of item (1).	

BRAKE SYSTEM

3-80. BRAKE TREADLE VALVE REPAIR (Continued).



LEGEND:

- | | | |
|-----------------------|---------------------------|-------------------------|
| 1. BRAKE VALVE BODY | 11. SPRING | 19. PREFORMED PACKING |
| 2. SCREW | 14. LOWER STATIC PISTON | 23. STEM SPRING |
| 3. DIAPHRAGM WASHER | 15. PREFORMED PACKING (2) | 24. SPRING SEAT |
| 4. DIAPHRAGM | 16. PREFORMED PACKING | 25. HEXAGON HEAD NUT |
| 5. DIAPHRAGM RETAINER | 17. RETURN SPRING | 26. RETAINER |
| 7. STEM | 18. PISTON | 28. UPPER STATIC PISTON |
| 8. RELAY PISTON | | |

TA 238424

BRAKE SYSTEM

3-80. BRAKE TREADLE VALVE REPAIR (Continued).		
LOCATION/ITEM	ACTION	REMARKS
<div style="border: 1px solid black; display: inline-block; padding: 2px;">D. OPERATIONAL CHECK.</div>		
NOTE		
<p>The testing procedure for delivery port No. 2 is similar to delivery port No. 1. The delivery pressure of port No. 2 may be 2 psi less than delivery port No. 1.</p>		
45. Valve (6).	Install on truck.	Refer to TM 9-2320-283-20.
46. Air system draincocks.	Close.	Refer to TM 9-2320-283-10.
47. Delivery port No. 1 on right-hand side of valve (6).	Remove nonmetallic tube.	Refer to TM 9-2320-283-20.
48. Air pressure gage.	Connect to port No. 1.	Suitable gage, 0-200 psi.
49. Engine.	Start up. Operate until maximum reservoir pressure is reached.	Maximum pressure is approximately 120 lbs.
50. Pedal.	Depress the pedal to several positions between the fully released and full applied positions.	The delivered air pressure on the air pressure gage should vary proportionately with the movement of the brake pedal. When the pedal is fully depressed, the reading on the air pressure gage should fall off to zero when the pedal is released. If gage does not return to zero, refer to steps 1 through 42 for repair of brake valve.
51. Engine.	Shutdown.	Refer to TM 9-2320-283-10.

BRAKE SYSTEM

3-80. BRAKE TREADLE VALVE REPAIR (Continued).

LOCATION/ITEM	ACTION	REMARKS
52. Air pressure gage.	Remove from delivery port No. 1.	
53. Nonmetallic tube.	Connect to delivery port No. 1.	Refer to TM 9-2320-283-20.
54. Delivery port No. 2 on right-hand side of valve (6):		Checking procedure is same as the procedure for delivery port No. 1. Refer to steps 46 through 53.
NOTE		
Follow-on maintenance action required:		
Check air systems for leaks (para 3-4).		

BRAKE SYSTEM

3-81. BRAKE SHOE REPAIR.

THIS TASK COVERS

- a. Disassembly.
- b. Cleaning.
- c. Inspection.
- d. Assembly.
- e. Final Inspection.

INITIAL SETUP

APPLICABLE CONFIGURATIONS

All.

EQUIPMENT CONDITION

PARAGRAPH

TM 9-2320-2830-20.

CONDITION DESCRIPTION

Brake shoes removed.

TEST EQUIPMENT

None.

SPECIAL TOOLS

None.

MATERIALS/PARTS (P/N)

Paint

Item 25, Appendix B.

Lining (2)

(52304) 5731493.

Lining (2)

(52304) 5731493.

Rivet (52)

(52304) 5731473.

PERSONNEL REQUIRED

One (MOS-63S).

SPECIAL ENVIRONMENTAL CONDITIONS

Work area clean and away from blowing dirt and dust.

REFERENCES (TM)

TM 9-2320-283-20.

TM 9-2320-283-34P.

GENERAL SAFETY INSTRUCTIONS

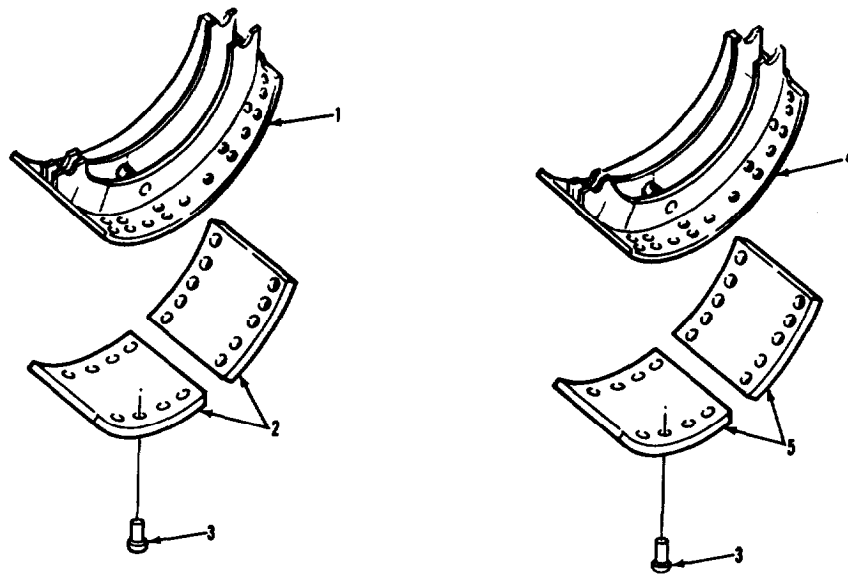
None.

TROUBLESHOOTING REFERENCES

None.

BRAKE SYSTEM

3-81. BRAKE SHOE REPAIR (Continued).



LEGEND:

1. SHOE (REAR BRAKE)
2. LINING (REAR BRAKE) (2)
3. RIVET (52)
4. SHOE (FRONT BRAKE)
5. LINING (FRONT BRAKE) (2)

TA 238427

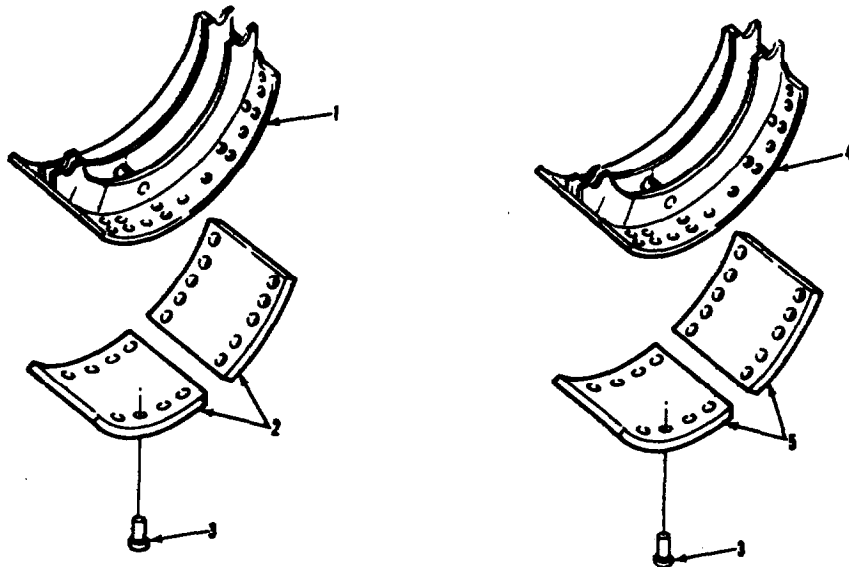
BRAKE SYSTEM

3-81. BRAKE SHOE REPAIR (Continued).

LOCATION/ITEM	ACTION	REMARKS
A. DISASSEMBLY.		
<u>CAUTION</u>		
Do not drill out old rivets. Drilling out old rivets can enlarge holes and prevent new rivets from holding.		
<u>NOTE</u>		
<ul style="list-style-type: none"> •The procedure covers lining replacement for one front and one rear brake shoe. Use this same procedure from any front or rear brake shoe and always reline in pairs. For example, if the lining is replaced on the left front brake, the right front brake should be relined also. Relining a brake on one axle end only may cause uneven braking. •To remove oil rivets, push out using brake and clutch reliner or a 1/8" diameter flat head drift. 		
1. Two linings (2) and thirty rivets (3).	Remove from item (1).	Discard items (2) and (3).
2. Two linings (5) and twenty-two rivets (3).	Remove from item (4).	
B. CLEANING.		
3. Shoes (1) and (4).	Remove dirt, scale, rust, and paint.	

BRAKE SYSTEM

3-81. BRAKE SHOE REPAIR (Continued).



LEGEND:

- 1. SHOE (REAR BRAKE)
- 2. LINING (REAR BRAKE) (2)
- 3. RIVET (52)
- 4. SHOE (FRONT BRAKE)
- 5. LINING (FRONT BRAKE) (2)

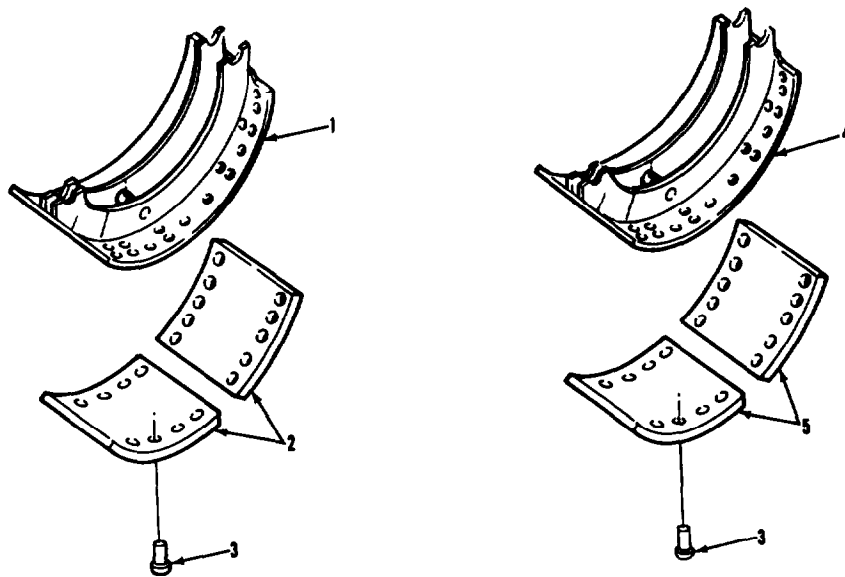
TA 238428

BRAKE SYSTEM

3-81. BRAKE SHOE REPAIR (Continued).		
LOCATION/ITEM	ACTION	REMARKS
C. INSPECTION.		
4. Shoes (1) and (4).	Inspect.	Refer to paragraph 3-4.
5. All new parts.	Inspect.	Refer to paragraph 3-5.
D. ASSEMBLY.		
6. Shoes (1) and (4).	Apply two coats of new paint.	
CAUTION		
Install rivets starting at the center and working alternately outward toward the sides and end. Failure to do so may cause linings to be loose.		
NOTE		
Use brake and clutch reliner to install new linings.		
7. Two linings (2) and thirty rivets (3).	Install on item (1).	Drive rivets squarely into holes as far as they will go.
8. Two linings (5) and twenty-two rivets (3).	Install on item (4).	Drive rivets squarely into holes as far as they will go.
F. FINAL INSPECTION.		
9. Shoe (1), two linings (2), and thirty rivets (3).	Inspect for evidence of improper assembly.	You should not be able to insert a 0.008 inch feeler gage between item (1) and (2).

BRAKE SYSTEM

3-81. BRAKE SHOE REPAIR (Continued).



LEGEND:

1. SHOE (REAR BRAKE)
2. LINING (REAR BRAKE) (2)
3. RIVET (52)
4. SHOE (FRONT BRAKE)
5. LINING (FRONT BRAKE) (2)

TA 238429

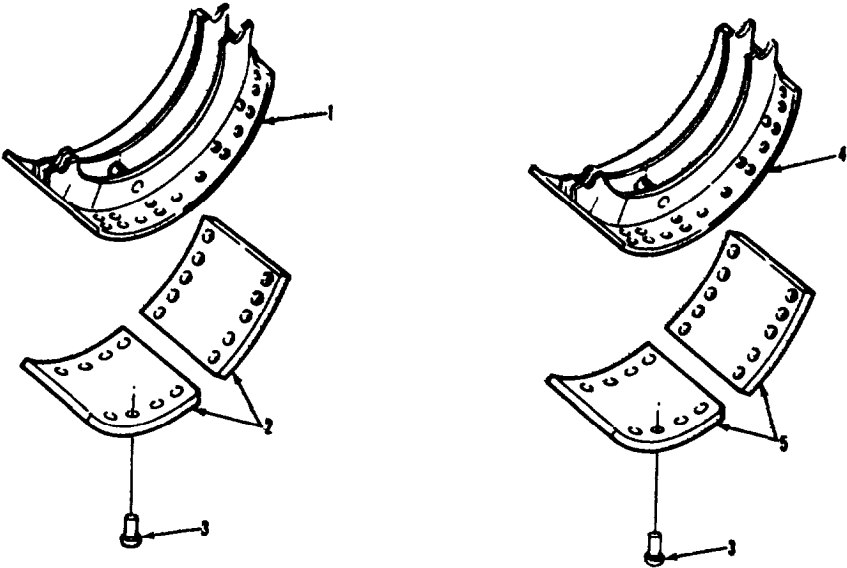
BRAKE SYSTEM

3-81. BRAKE SHOE REPAIR (Continued).

LOCATION/ITEM	ACTION	REMARKS
F. FINAL INSPECTION (Continued).		
10. Two linings (2).	Inspect for cracks or damage resulting from assembly process.	
11. Shoe (4), two linings (5), and twenty-two rivets (3).	Inspect for evidence of improper assembly techniques.	You should not be able to insert a 0.008 inch feeler gage between items (4) and (5).
12. Two linings (5).	Inspect for cracks or damage resulting from assembly process.	
NOTE		
Follow-on maintenance action required:		
Install brake shoes (TM 9-2320-283-20).		

BRAKE SYSTEM

3-81. BRAKE SHOE REPAIR (Continued).



LEGEND:

- 1. SHOE (REAR BRAKE)
- 2. LINING (REAR BRAKE) (2)
- 3. RIVET (52)
- 4. SHOE (FRONT BRAKE)
- 5. LINING (FRONT BRAKE) (2)

TA 238430

BRAKE SYSTEM

3-82. FORWARD-REAR AXLE BRAKE CHAMBER REPAIR.

THIS TASK COVERS

- a. Disassembly.
- b. Cleaning.
- c. Inspection.
- d. Assembly.

INITIAL SETUP

APPLICABLE CONFIGURATIONS

All.

EQUIPMENT CONDITION
PARAGRAPH

TM 9-2320-283-20.

CONDITION DESCRIPTION

Forward-rear axle brake chamber removed.

TEST EQUIPMENT

None.

SPECIAL TOOLS

None.

MATERIALS/PARTS (P/N)

Oil, lubricating: OE/HDO 30
Item 17, Appendix B.
Rags, wiping
Item 26, Appendix B.
Solvent, drycleaning SD-2
Item 31, Appendix B.
Diaphragm (2)
(50153) 1126M009.
O-ring
(50153) 11M114.

PERSONNEL REQUIRED

Two (MOS-63W).

SPECIAL ENVIRONMENTAL CONDITIONS

Work area clean and away from blowing dirt and dust.

REFERENCES (TM)

TM 9-2320-283-10.
TM 9-2320-283-20.
TM 9-2320-283-34P.

GENERAL SAFETY INSTRUCTIONS

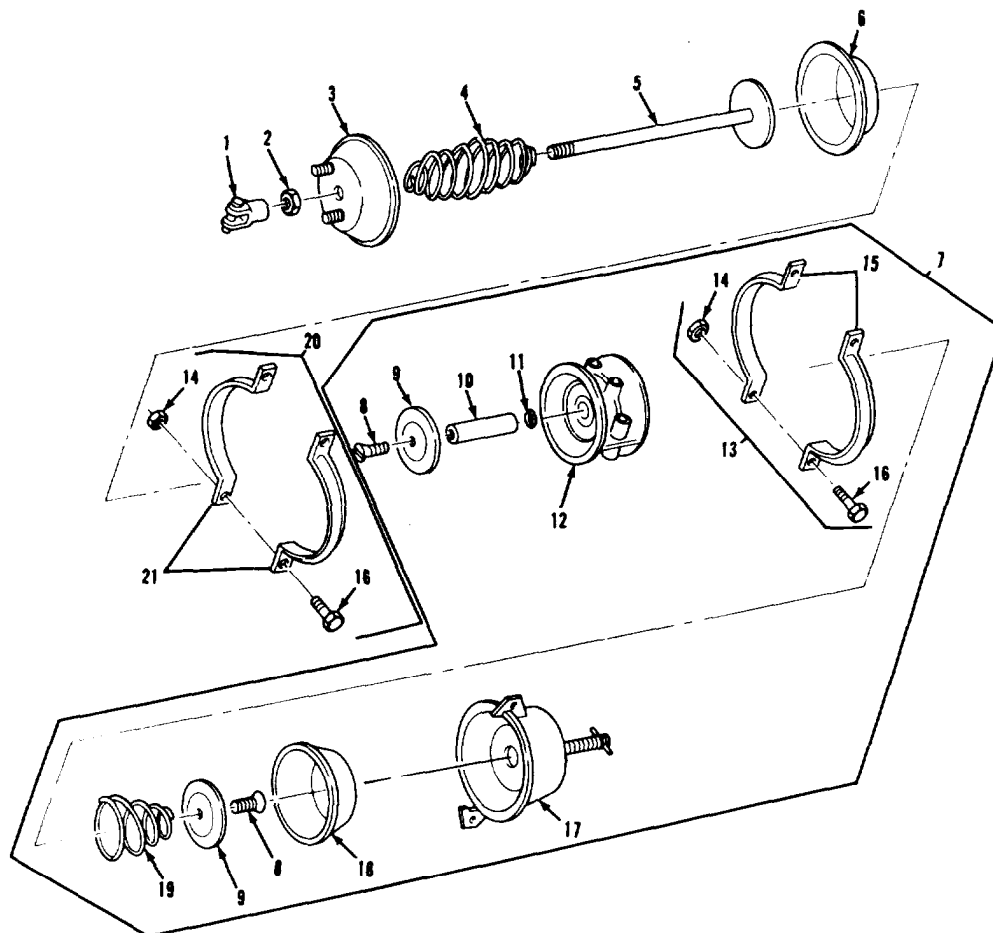
None.

TROUBLESHOOTING REFERENCES

None.

BRAKE SYSTEM

3-82. FORWARD-REAR AXLE BRAKE CHAMBER REPAIR (Continued).



LEGEND:

- | | |
|-----------------------------------|--|
| 1. CLEVIS | 12. ADAPTER HOUSING |
| 2. JAM NUT | 13. CLAMP ASSEMBLY |
| 3. HOUSING ASSEMBLY | 14. CARRIAGE NUT (4) |
| 4. RETURN SPRING | 15. SERVICE BRAKE CLAMP |
| 5. PUSH ROD ASSEMBLY | 16. CARRIAGE BOLT (4) |
| 6. DIAPHRAGM | 17. SERVICE BRAKE CHAMBER HOUSING ASSEMBLY |
| 7. PIGGY BACK SERVICE SUBASSEMBLY | 18. SERVICE BRAKE CHAMBER DIAPHRAGM |
| 8. NYLOK SCREW (2) | 19. SERVICE BRAKE RETURN SPRING |
| 9. PLATE (2) | 20. CLAMP ASSEMBLY |
| 10. PUSH ROD ADAPTER | 21. FORWARD-REAR CHAMBER CLAMP |
| 11. O-RING | |

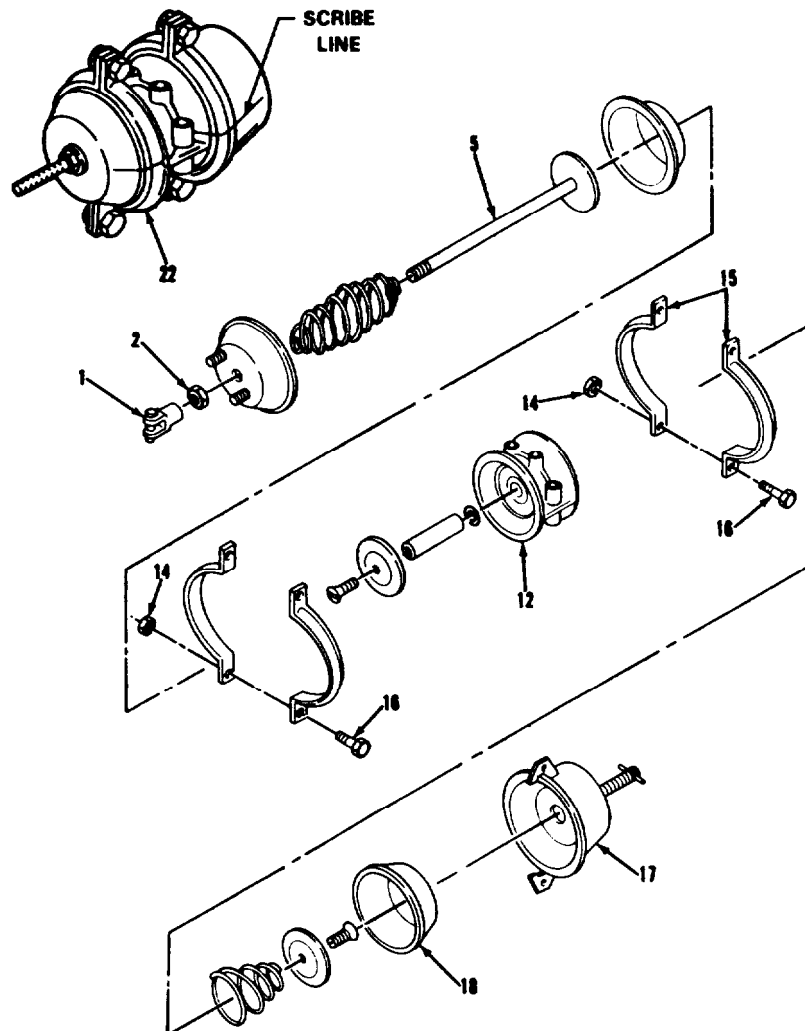
TA 238431

BRAKE SYSTEM

3-82. FORWARD-REAR AXLE BRAKE CHAMBER REPAIR (Continued).		
LOCATION/ITEM	ACTION	REMARKS
A. DISASSEMBLY.		
1. Clevis (1) and nut (2).	Remove from item (5).	
2. Chamber (22).	a. Using clean rags wipe clean.	
	b. Scribe line across item (22). (See illustration).	Used to aid in assembly.
<u>WARNING</u>		
<p>• The service brake chamber housing assembly contains a spring under high spring force. Be sure forward rear axle brake chamber is caged before disassembly. Failure to observe this precaution may result in serious injury to you or other personnel.</p> <p>• Refer to TM 9-2320-283-10 for caging procedure.</p>		
3. Two nuts (14), bolts (16), and one clamp (15).	Remove from item (12) and (17).	
<u>WARNING</u>		
Do not disassemble service brake chamber housing assembly. Failure to observe this precaution may result in injury to you and other personnel.		
4. Service brake chamber housing assembly (17) and diaphragm (18).	Slide off end of item (12).	Item (18) may have to be pulled away from item (12) when removing.
5. Diaphragm (18).	Remove from item (17).	Set item (17) away from work area. Item (17) contains caged spring. Discard item (18).

BRAKE SYSTEM

3-82. FORWARD-REAR AXLE BRAKE CHAMBER REPAIR (Continued).



LEGEND:

- | | |
|-------------------------|--|
| 1. CLEVIS | 16. CARRIAGE BOLT (4) |
| 2. JAM NUT | 17. SERVICE BRAKE CHAMBER HOUSING ASSEMBLY |
| 5. PUSH ROD ASSEMBLY | 18. SERVICE BRAKE CHAMBER DIAPHRAGM |
| 12. ADAPTER HOUSING | 22. FORWARD-REAR BRAKE CHAMBER |
| 14. CARRIAGE NUT (4) | |
| 15. SERVICE BRAKE CLAMP | |

TA 238432

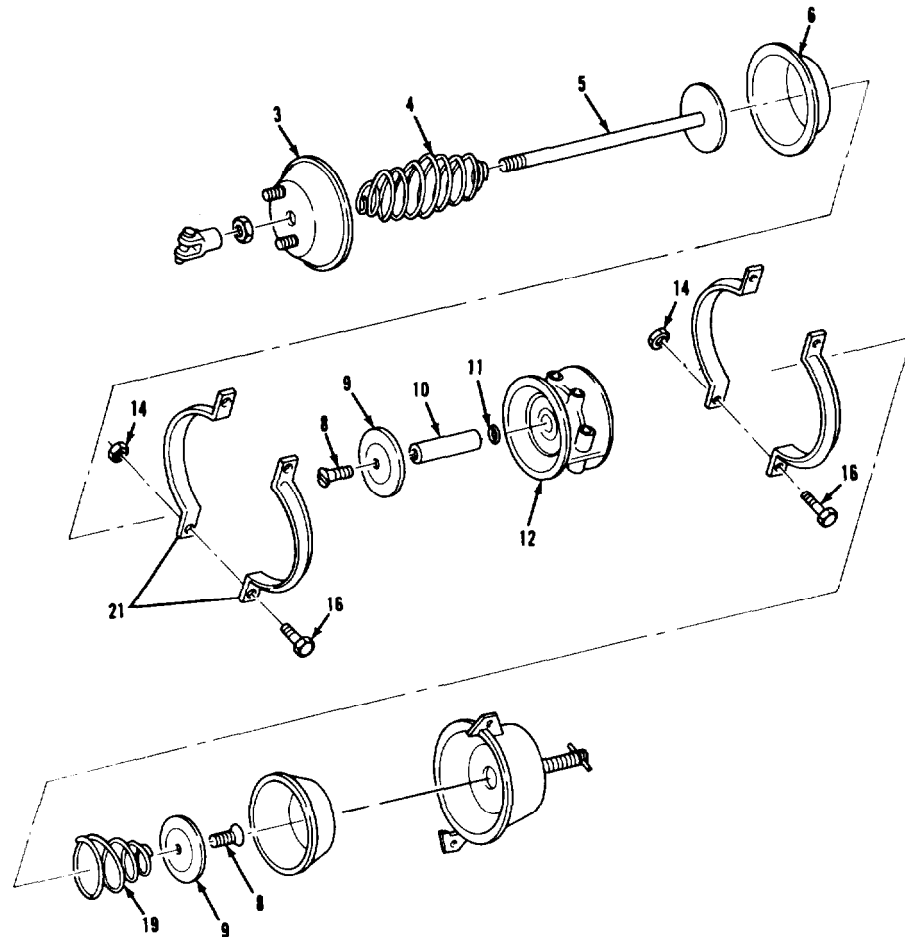
BRAKE SYSTEM

3-82. FORWARD-REAR AXLE BRAKE CHAMBER REPAIR (Continued).

LOCATION/ITEM	ACTION	REMARKS
A. DISASSEMBLY (Continued).		
<u>WARNING</u>		
<p>Return spring is under just enough pressure where injury could result if held incorrectly during disassembly. To avoid injury position housing assembly away from you and other personnel. Failure to observe this precaution may result in injury to you and other personnel.</p>		
6. Two nuts (14), bolts (16), and one clamp (21).	Remove from item (12) and (3).	Assistant holds item (3) and item (12) together.
7. Housing (3) with attached spring (4) and push rod (5).	Remove from item (12).	<p>a. Assistant helps in removal.</p> <p>b. Item (6) may fall from item (12).</p>
8. Diaphragm (6).	Remove from item (12).	Discard item (6).
9. Housing assembly (3).	Slide off of item (5).	
10. Spring (4).	Slide from item (5).	
NOTE		
<p>There will be a slight spring force when removing screws and plate assemblies.</p>		
11. Two screws (8).	Unscrew and remove two items (9) and one item (19).	Two items (8) may be difficult to remove.
12. Adapter (10).	Remove from item (12).	
13. O-ring (11).	Remove from item (10).	Discard item (11).

BRAKE SYSTEM

3-82. FORWARD-REAR AXLE BRAKE CHAMBER REPAIR (Continued).



LEGEND:

- | | |
|----------------------|---------------------------------|
| 3. HOUSING ASSEMBLY | 11. O-RING |
| 4. RETURN SPRING | 12. ADAPTER HOUSING |
| 5. PUSH ROD ASSEMBLY | 14. CARRIAGE NUT (4) |
| 6. DIAPHRAGM | 16. CARRIAGE BOLT (4) |
| 8. NYLOK SCREW (2) | 19. SERVICE BRAKE RETURN SPRING |
| 9. PLATE (2) | 21. FORWARD-REAR CHAMBER CLAMP |
| 10. PUSH ROD ADAPTER | |

TA 238433

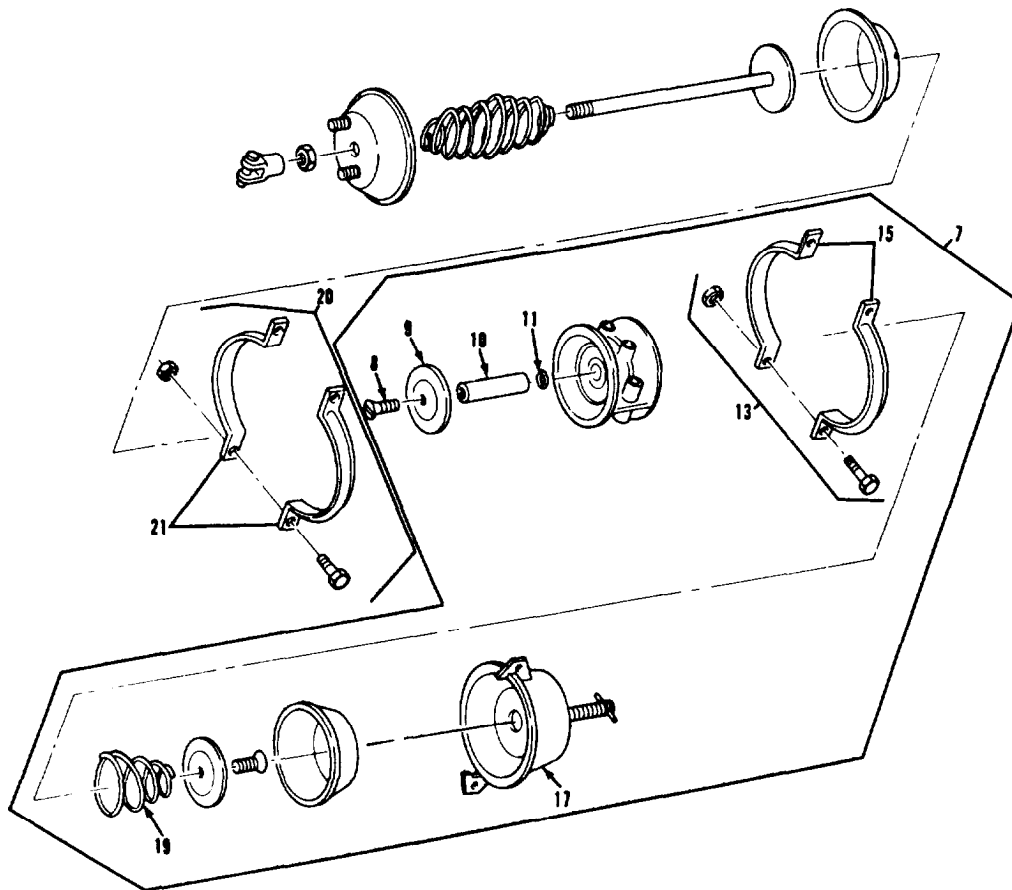
BRAKE SYSTEM

3-82. FORWARD-REAR AXLE BRAKE CHAMBER REPAIR (Continued).

LOCATION/ITEM	ACTION	REMARKS
B. CLEANING.		
14. All parts.	Clean with drycleaning solvent and rags.	Clean grooves carefully in item (15) and (21).
C. INSPECTION.		
15. All parts,	Inspect.	a. Replace damaged parts. b. If item (17) is unserviceable, replace item (7). c. If item (15) is unserviceable, replace item (13). d. If item (21) is unserviceable, replace item (20). e. Refer to paragraph 3-5.
D. ASSEMBLY.		
16. Plate (9).	a. Install on item (10). b. Secure with one item (8).	
17. Adapter (10).	Push through opening in item (12).	
18. New O-ring (11).	a. Lubricate. b. Install on item (10).	
19. Spring (19).	Slide over item (10).	
20. Plate (9).	a. Position over item (19). b. Secure with one item (8).	Press item (19) toward item (12) with item (9) when securing item (8).

BRAKE SYSTEM

3-82. FORWARD-REAR AXLE BRAKE CHAMBER REPAIR (Continued).



LEGEND:

- | | |
|---|---|
| 7. PIGGY BACK SERVICE SUBASSEMBLY
SPRING BRAKE | 13. CLAMP ASSEMBLY |
| 8. NYLOK SCREW (2) | 15. SERVICE BRAKE CLAMP |
| 9. PLATE (2) | 17. SERVICE BRAKE CHAMBER HOUSING
ASSEMBLY |
| 10. PUSH ROD ADAPTER | 19. SERVICE BRAKE RETURN SPRING |
| 11. O-RING | 20. CLAMP ASSEMBLY |
| 12. ADAPTER HOUSING | 21. FORWARD-REAR CHAMBER CLAMP |

TA 238434

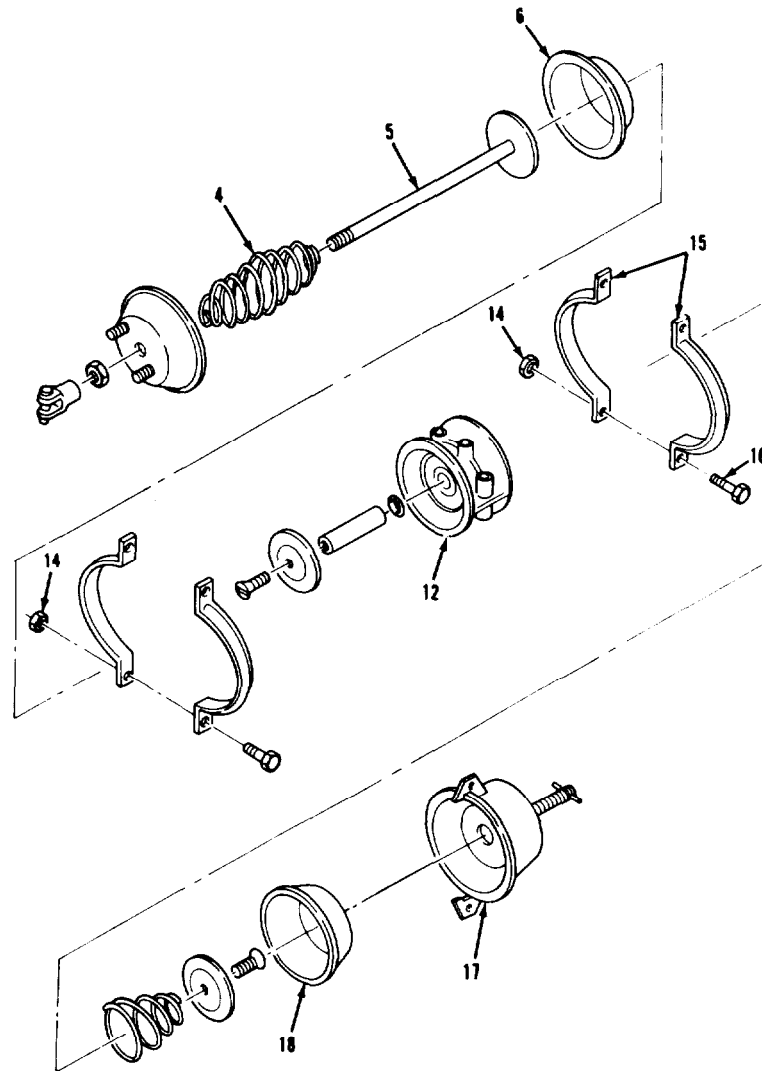
BRAKE SYSTEM

3-82. FORWARD-REAR AXLE BRAKE CHAMBER REPAIR (Continued).

LOCATION/ITEM	ACTION	REMARKS
D. ASSEMBLY (Continued).		
<u>WARNING</u>		
Do not disassemble service brake chamber housing assembly. Failure to observe this precaution may result in injury to you and other personnel.		
21. New diaphragm (18).	Place in item (17).	
22. Service brake chamber housing, assembly (17) and diaphragm (18).	Slide on item (12).	Item (18) may have to be pulled against item (17) when installing.
23. Clamp (15).	a. Place around item (17) and (12). b. Line up scribe line on item (17) with line on item (12) by rotating item (17).	
24. Two nuts (14) and bolts (16).	Secure.	Tighten alternately while assistant taps item (15) several times. Item (15) will then seat around item (12) and item (17) when securing.
25. New diaphragm (6).	Place in item (12).	
26. Spring (4).	Slide on item (5).	
27. Spring (4) and rod (5).	Place in item (6).	

BRAKE SYSTEM

3-82. FORWARD-REAR AXLE BRAKE CHAMBER REPAIR (Continued).



LEGEND:

- | | |
|----------------------|--|
| 4. RETURN SPRING | 15. SERVICE BRAKE CLAMP |
| 5. PUSH ROD ASSEMBLY | 16. CARRIAGE BOLT (4) |
| 6. DIAPHRAGM | 17. SERVICE BRAKE CHAMBER HOUSING ASSEMBLY |
| 12. ADAPTER HOUSING | 18. SERVICE BRAKE CHAMBER DIAPHRAGM |
| 14. CARRIAGE NUT (4) | |

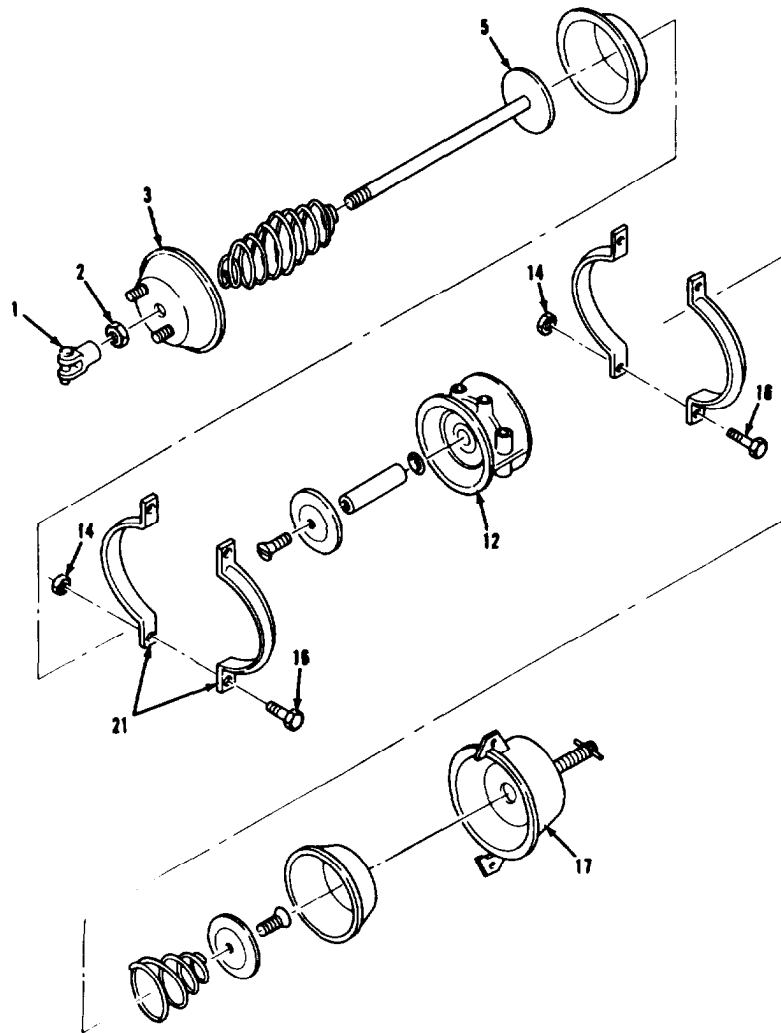
TA 238435

BRAKE SYSTEM

3-82. FORWARD-REAR AXLE BRAKE CHAMBER REPAIR (Continued).		
LOCATION/ITEM	ACTION	REMARKS
D . ASSEMBLY (Continued).		
<u>WARNING</u>		
Return spring is under just enough pressure where injury could result if held incorrectly during assembly. To avoid injury position housing assembly away from you and other personnel. Failure to observe this precaution may result in injury to you and other personnel.		
28. Housing assembly (3).	a. Place on item (5). b. Slide item (3) down item (5) against item (12).	Assistant holds item (3) against item (12) until secure.
29. Clamp (21).	a. Place around item (3) and (12). b. Line up scribe line on item (3) with line on item (12) by rotating item (3).	
30. Two nuts (14) and bolts (16).	Secure.	Tighten alternately while assistant taps item (21) several times. Item (21) will then seat around item (12) and item (17) when securing.
31. Clevis (1) and nut (2).	Install on item (5).	
NOTE		
Follow-on maintenance action required:		
Install forward-rear axle brake chamber (TM 9-2320-283-20).		

BRAKE SYSTEM

3-82. FORWARD-REAR AXLE BRAKE CHAMBER REPAIR (Continued).



LEGEND:

- | | |
|----------------------|--|
| 1. CLEVIS | 14. CARRIAGE NUT (4) |
| 2. JAM NUT | 16. CARRIAGE BOLT (4) |
| 3. HOUSING ASSEMBLY | 17. SERVICE BRAKE CHAMBER HOUSING ASSEMBLY |
| 5. PUSH ROD ASSEMBLY | 21. FORWARD-REAR CHAMBER CLAMP |
| 12. ADAPTER HOUSING | |

TA238436

BRAKE SYSTEM

3-83. AIR COMPRESSOR GOVERNOR ADJUSTMENT.

THIS TASK COVERS

Adjustment.

INITIAL SETUP

APPLICABLE CONFIGURATIONS

All.

EQUIPMENT CONDITION
PARAGRAPH

None.

CONDITION DESCRIPTION

None.

TEST EQUIPMENT

None.

SPECIAL TOOLS

None.

MATERIALS/PARTS (P/N)

None.

PERSONNEL REQUIRED

One (MOS-63W).

SPECIAL ENVIRONMENTAL CONDITIONS

None.

REFERENCES (TM)

TM 9-2320-283-10.

GENERAL SAFETY INSTRUCTIONS

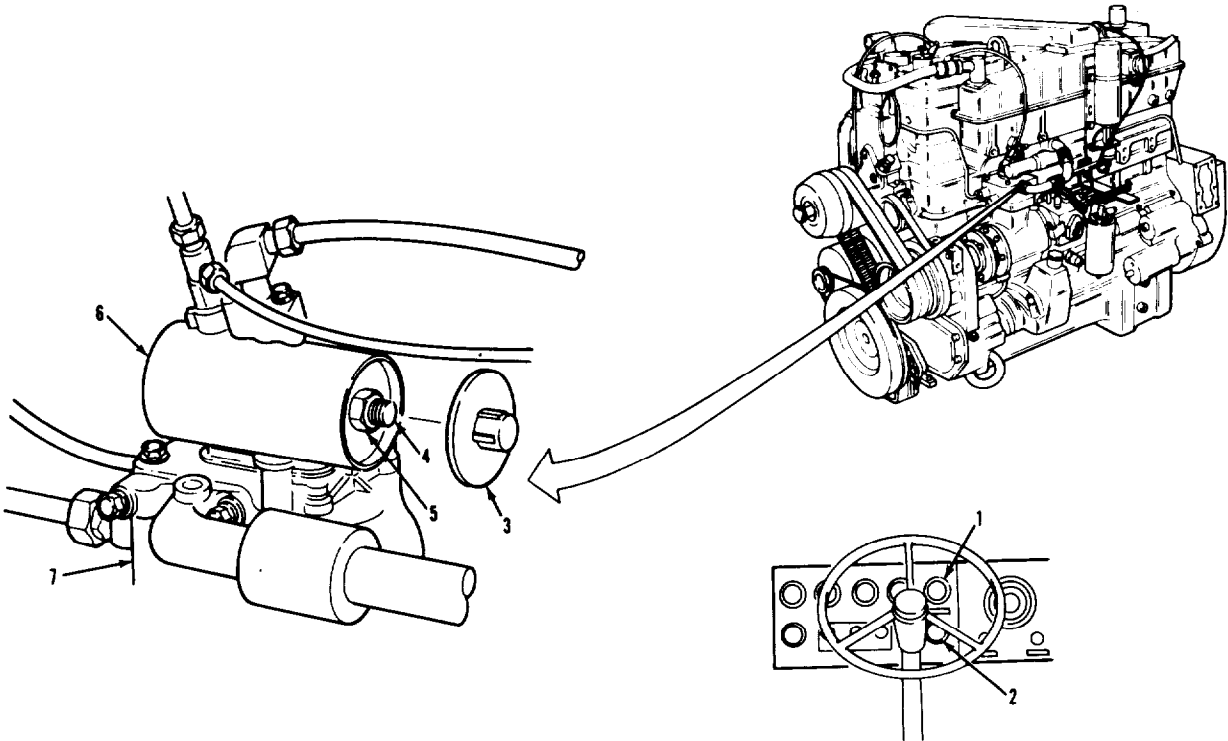
None.

TROUBLESHOOTING REFERENCES

Paragraph 2-7.

BRAKE SYSTEM

3-83. AIR COMPRESSOR GOVERNOR ADJUSTMENT (Continued).



LEGEND:

- 1. FRONT BRAKE SYSTEM AIR PRESSURE GAGE
- 2. REAR BRAKE SYSTEM AIR PRESSURE GAGE
- 3. ACCESS COVER
- 4. MACHINE SCREW

- 5. NUT
- 6. GOVERNOR ASSEMBLY
- 7. AIR COMPRESSOR

TA 238437

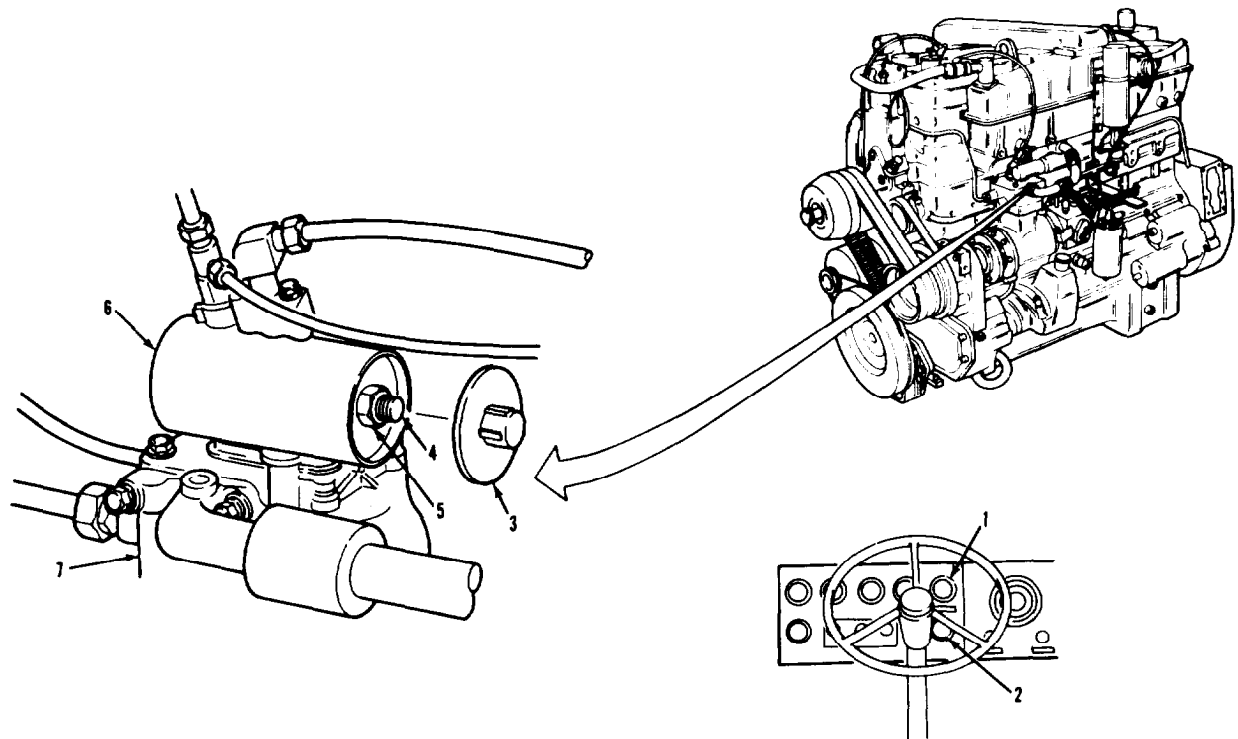
BRAKE SYSTEM

3-83. AIR COMPRESSOR GOVERNOR ADJUSTMENT (Continued).

LOCATION/ITEM	ACTION	REMARKS
ADJUSTMENT.		
1. Engine.	Start and operate.	Refer to TM 9-2320-283-10.
2. Gage (1 or 2).	Observe pressure when item (6) cuts out, stopping compression of air by item (7).	Cutout pressure should be between 122-128 psi. If pressure is correct, skip steps 3 thru 9 and go to step 10. If pressure is too high or too low, go to step 3.
3. Engine.	Shutdown,	Refer to TM 9-2320-283-10.
<u>WARNING</u>		
To avoid injury, do not work in engine compartment with engine running.		
4. Cover (3).	Remove from items (4) and (6).	
5. Nut (5).	Loosen, but do not remove.	
6. Screw (4).	a. To raise cutout pressure, turn counterclockwise. To lower cutout pressure, turn clockwise.	One-half turn will change pressure about 5 psi.
	b. Repeat steps 1 and 2 after each adjustment.	When cutout pressure is correct, shutdown engine and go to step 7.
7. Nut (5).	While holding item (4), tighten item (5).	
8. Cover (3).	Install on items (4) and (6).	
9. Engine.	Start and operate.	Refer to TM 9-2320-283-10.

BRAKE SYSTEM

3-83. AIR COMPRESSOR GOVERNOR ADJUSTMENT (Continued).



LEGEND:

- 1. FRONT BRAKE SYSTEM AIR PRESSURE GAGE
- 2. REAR BRAKE SYSTEM AIR PRESSURE GAGE
- 3. ACCESS COVER
- 4. MACHINE SCREW

- 5. NUT
- 6. GOVERNOR ASSEMBLY
- 7. AIR COMPRESSOR

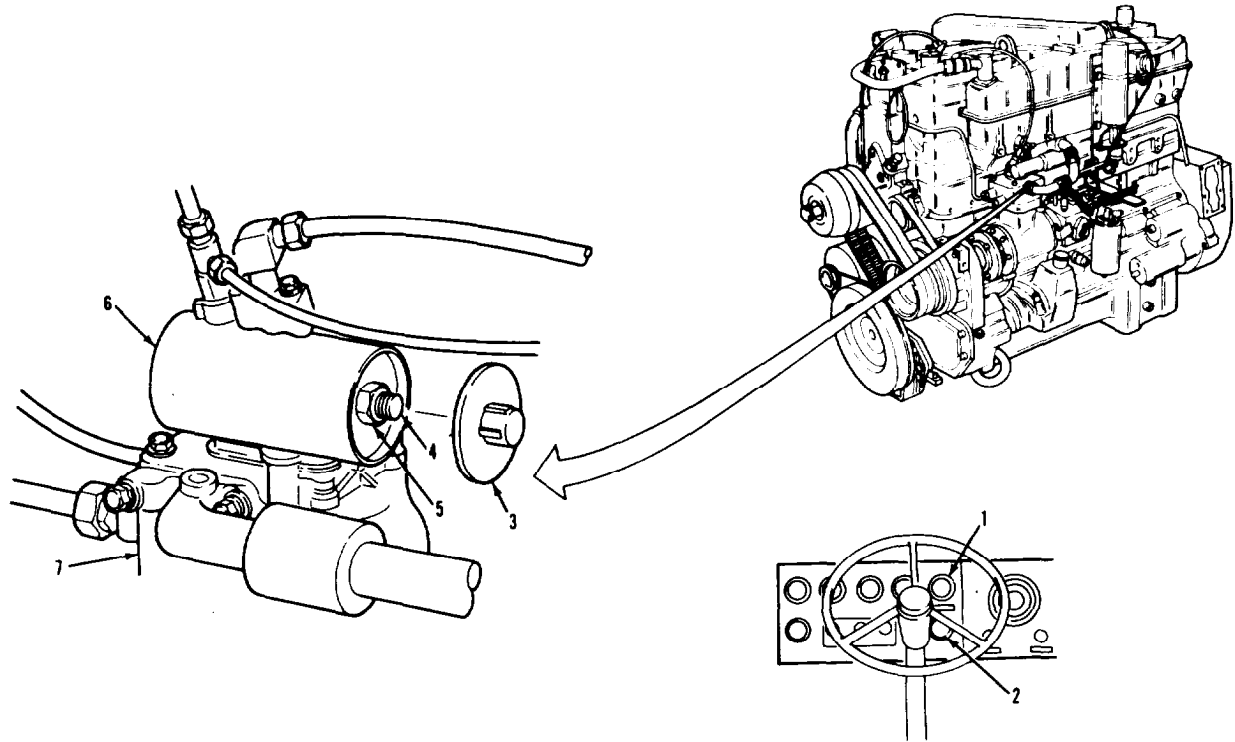
TA 238438

BRAKE SYSTEM

3-83. AIR COMPRESSOR GOVERNOR ADJUSTMENT (Continued).		
LOCATION/ITEM	ACTION	REMARKS
10. Gage (1 or 2).	While engine is running, press down on brake pedal a number of times to reduce air pressure. Observe pressure when item (6) cuts in, starting compression of air by item (7).	Cut-in pressure should be between 97-103 psi. If cut-in pressure is not correct, replace or repair air compressor governor (para 3-83 or 3-84).
11. Engine.	Shutdown.	Refer to TM 9-2320-283-10.
NOTE		
Follow-on maintenance action required:		
None.		

BRAKE SYSTEM

3-83. AIR COMPRESSOR GOVERNOR ADJUSTMENT (Continued).



LEGEND:

- 1. FRONT BRAKE SYSTEM AIR PRESSURE GAGE
- 2. REAR BRAKE SYSTEM AIR PRESSURE GAGE
- 3. ACCESS COVER
- 4. MACHINE SCREW

- 5. NUT
- 6. GOVERNOR ASSEMBLY
- 7. AIR COMPRESSOR

TA 238439

BRAKE SYSTEM

3-84. AIR COMPRESSOR GOVERNOR REPLACEMENT.

THIS TASK COVERS

- a. Removal.
- b. Cleaning.
- c. Inspection.
- d. Installation.

INITIAL SETUP

APPLICABLE CONFIGURATIONS

All.

EQUIPMENT CONDITION
PARAGRAPH

TM 9-2320-283-20.

CONDITION DESCRIPTION

Air compressor governor
air lines and fittings
removed.

TEST EQUIPMENT

None.

SPECIAL TOOLS

None.

MATERIALS/PARTS (P/N)

Governor gasket
(06853) 237202.

PERSONNEL REQUIRED

One (MOS-63W).

SPECIAL ENVIRONMENTAL CONDITIONS

None.

REFERENCES (TM)

TM 9-2320-283-20.
TM 9-2320-283-34P.

GENERAL SAFETY INSTRUCTIONS

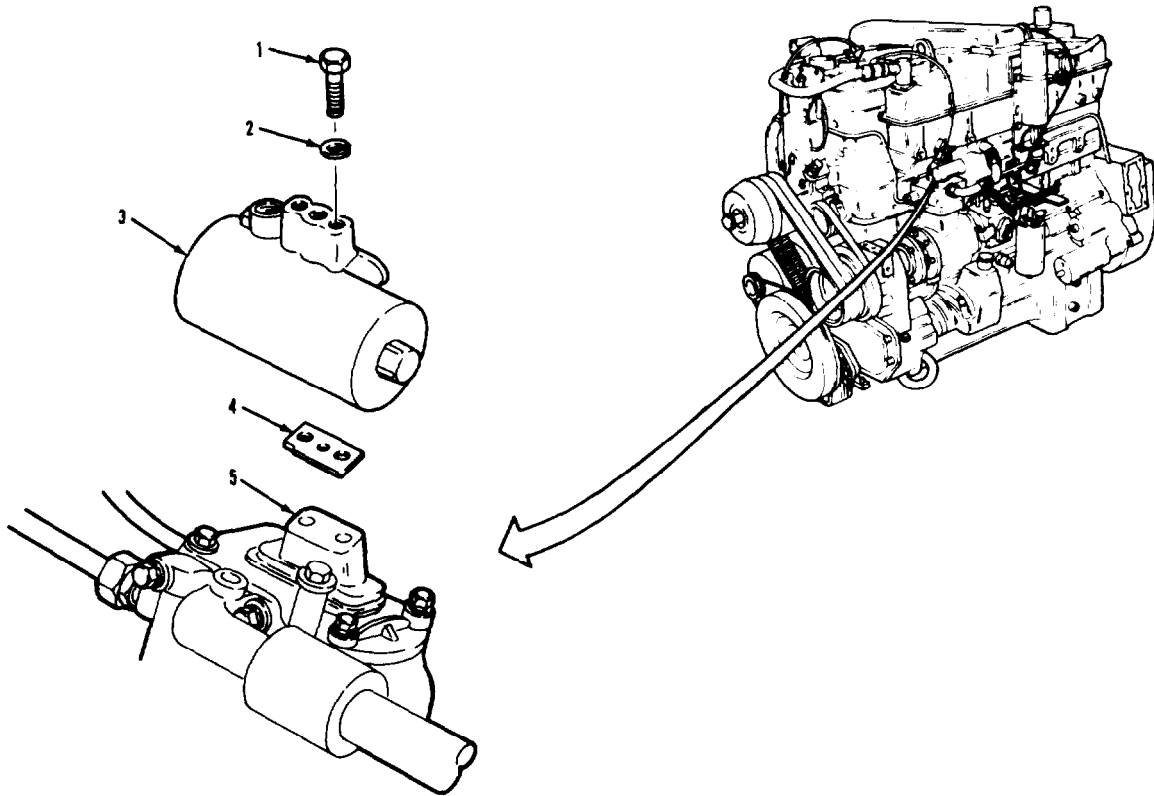
None.

TROUBLESHOOTING REFERENCES

Paragraph 2-7.

BRAKE SYSTEM

3-84. AIR COMPRESSOR GOVERNOR REPLACEMENT (Continued).



LEGEND:

- 1. MACHINE SCREW (2)
- 2. LOCKWASHER (2)
- 3. GOVERNOR ASSEMBLY
- 4. GOVERNOR GASKET
- 5. AIR COMPRESSOR UNLOADER VALVE

TA 238440

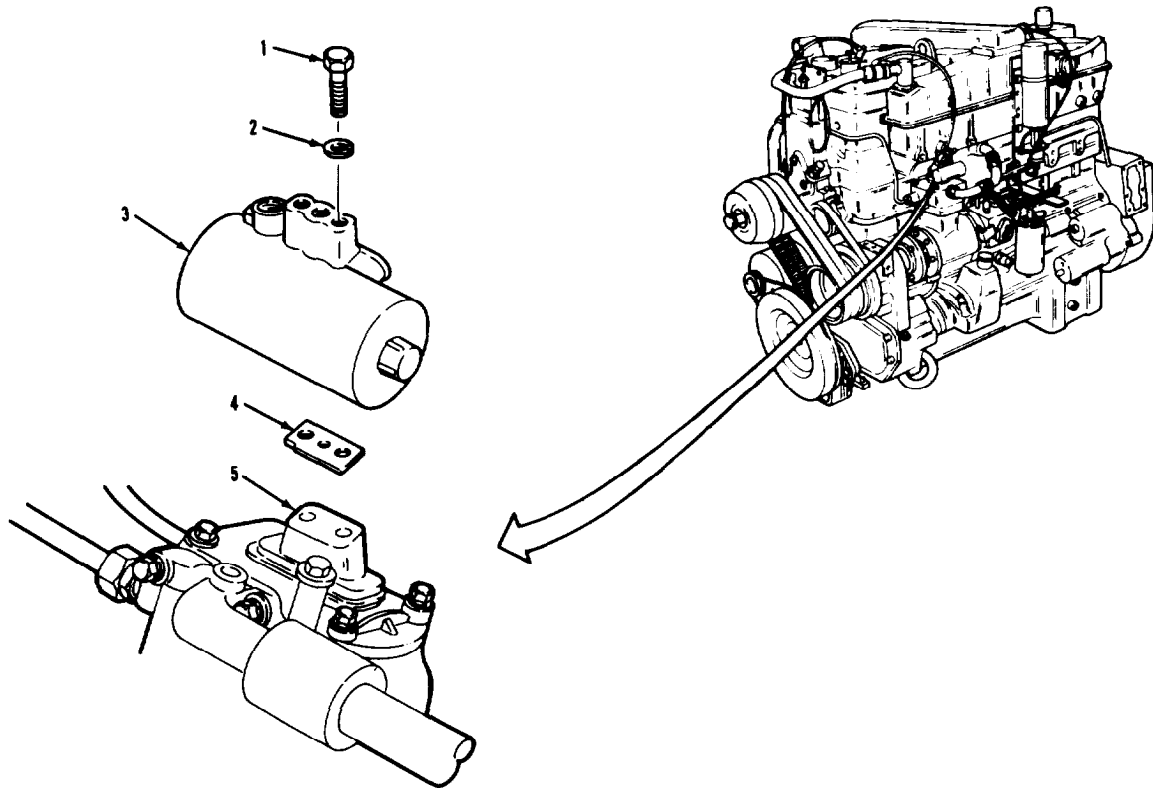
BRAKE SYSTEM

3-84. AIR COMPRESSOR GOVERNOR REPLACEMENT (Continued).

LOCATION/ITEM	ACTION	REMARKS
A. REMOVAL.		
1. Two screws (1) and lockwashers (2).	Remove from item (3).	
2. Governor assembly (3) and gasket (4).	Remove from item (5).	Discard item (4).
B. CLEANING.		
3. All parts.	Clean.	Refer to paragraph 3-4.
C. INSPECTION.		
4. All parts.	Inspect.	Refer to paragraph 3-5.
D. INSTALLATION.		
5. Governor assembly (3) and valve (5).	Clean mating surfaces.	Refer to paragraph 3-4.
6. Governor assembly (3) and new gasket (4).	Install on item (5).	
7. Two screws (1) and lockwashers (2).	Install into item (3), and tighten.	
NOTE		
Follow-on maintenance action required:		
Install air compressor governor air lines and fittings (TM 9-2320-283-20). Adjust air compressor governor (para 3-83).		

BRAKE SYSTEM

3-84. AIR COMPRESSOR GOVERNOR REPLACEMENT (Continued).



LEGEND:

- 1. MACHINE SCREW (2)
- 2. LOCKWASHER (2)
- 3. GOVERNOR ASSEMBLY
- 4. GOVERNOR GASKET.
- 5. AIR COMPRESSOR UNLOADER VALVE

TA 238441

BRAKE SYSTEM

3-85. AIR COMPRESSOR GOVERNOR REPAIR.

THIS TASK COVERS

- a. Disassembly.
- b. Cleaning.
- c. Inspection.
- d. Assembly.

INITIAL SETUP

<u>APPLICABLE CONFIGURATIONS</u>	<u>EQUIPMENT CONDITION PARAGRAPH</u>	<u>CONDITION DESCRIPTION</u>
All.	3-84.	Air compressor governor removed.

TEST EQUIPMENT
None.

SPECIAL TOOLS
None.

MATERIALS/PARTS (P/N)
Grease, pneumatic
Item 10, Appendix B.
Tape, thread sealing
Item 35, Appendix B.
O-ring (2)
(06853) 239658.
O-ring
(06853) 230175.

PERSONNEL REQUIRED
One (MOS-63W).

SPECIAL ENVIRONMENTAL CONDITIONS
Work area clean and away from blowing dirt and dust.

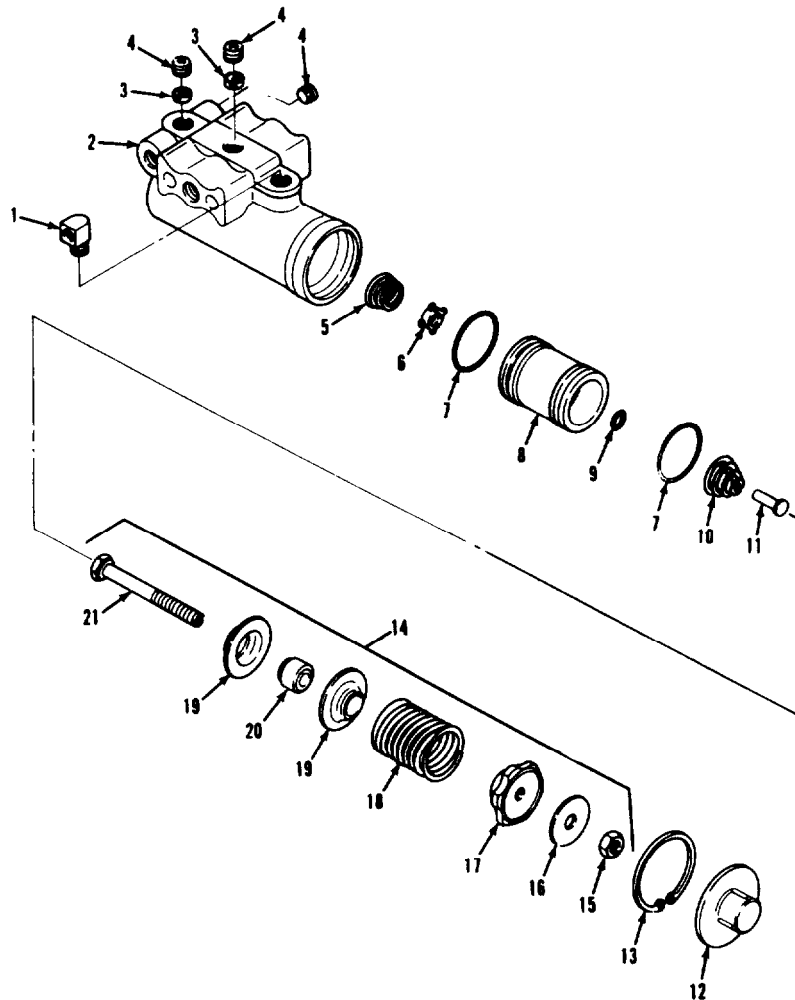
REFERENCES (TM)
TM 9-2320-283-34P.

GENERAL SAFETY INSTRUCTIONS
None.

TROUBLESHOOTING REFERENCES
Paragraph 2-7.

BRAKE SYSTEM

3-85. AIR COMPRESSOR GOVERNOR REPAIR (Continued).



LEGEND:

- | | |
|--------------------------------|--------------------------------|
| 1. MALE ELBOW | 12. ACCESS COVER |
| 2. GOVERNOR BODY | 13. RETAINER CLIP |
| 3. STRAINER ELEMENT (2) | 14. SCREW AND SPRING ASSEMBLY |
| 4. PLUG (3) | 15. NUT |
| 5. SPRING | 16. WASHER |
| 6. EXHAUST VALVE | 17. UPPER SPRING SEAT |
| 7. O-RING (2) | 18. HELICAL COMPRESSION SPRING |
| 8. GOVERNOR PISTON | 19. LOWER SPRING SEAT (2) |
| 9. O-RING | 20. SPRING GUIDE |
| 10. HELICAL COMPRESSION SPRING | 21. MACHINE SCREW |
| 11. EXHAUST STEM | |

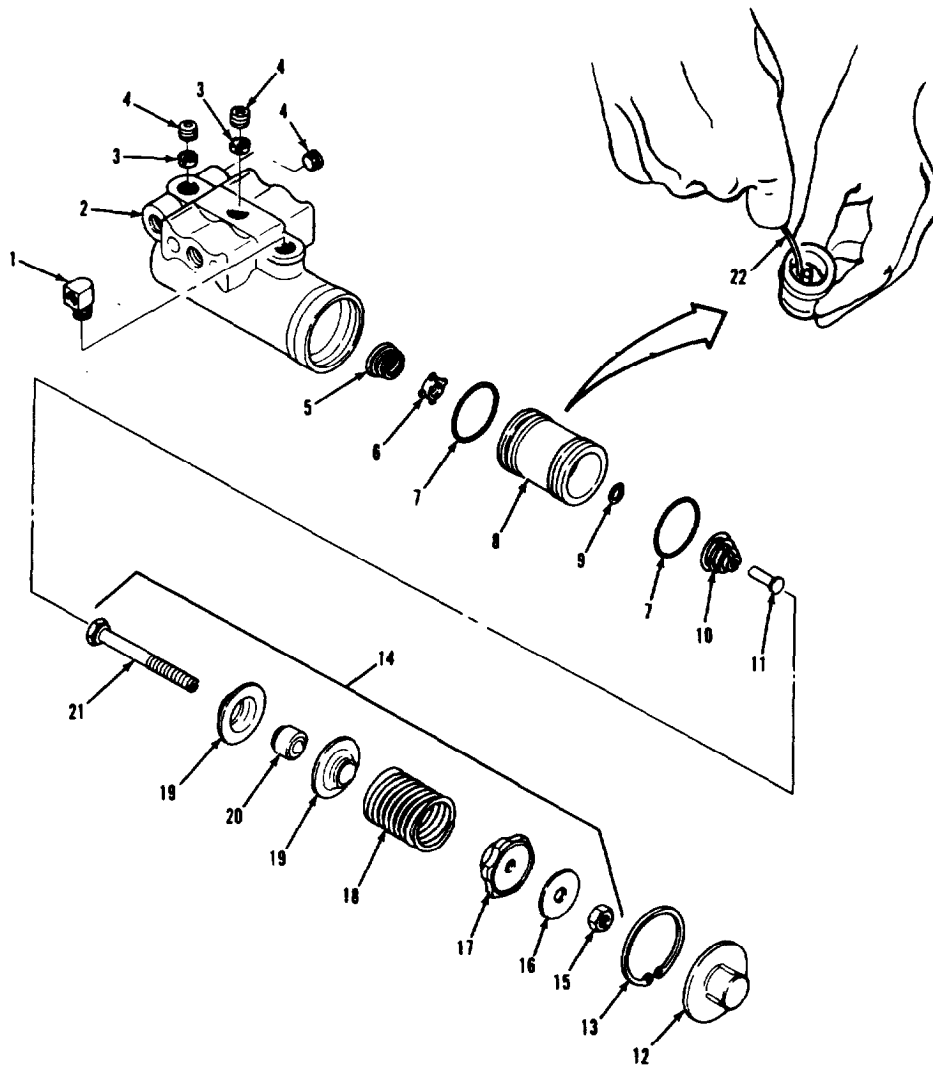
TA 238442

BRAKE SYSTEM

3-85. AIR COMPRESSOR GOVERNOR (Continued).		
LOCATION/ITEM	ACTION	REMARKS
A. DISASSEMBLY.		
1. Cover (12).	Remove from items (2) and (21).	
2. Clip (13).	Remove from item (2).	
3. Screw and spring assembly (14).	Remove from item (2).	
4. Nut (15), washer (16), seat (17), spring (18), two seats (19), and guide (20).	Remove from item (21).	
5. Spring (10) and stem (11).	Remove from item (8).	
6. Spring (5), valve (6), two 0-rings (7), piston (8), and 0-ring (9) (assembled).	Remove from item (2) by tapping on wood surface.	
7. Spring (5) and valve (6).	Remove from item (8).	
8. Two 0-rings (7).	Remove from item (8).	Discard two items (7).
9. 0-ring (9).	Using item (22), remove from item (8).	Discard item (9).
10. Elbow (1), three plugs (4), and two elements (3).	Remove from item (2).	
B. CLEANING.		
11. All parts.	Clean.	Refer to paragraph 3-4. Be sure that air passages in items (2), (3), (6), and (8) are not blocked.

BRAKE SYSTEM

3-85. AIR COMPRESSOR GOVERNOR REPAIR (Continued).



LEGEND:

- | | |
|--------------------------------|--------------------------------|
| 1. MALE ELBOW | 12. ACCESS COVER |
| 2. GOVERNOR BODY | 13. RETAINER CLIP |
| 3. STRAINER ELEMENT (2) | 14. SCREW AND SPRING ASSEMBLY |
| 4. PLUG (3) | 15. NUT |
| 5. SPRING | 16. WASHER |
| 6. EXHAUST VALVE | 17. UPPER SPRING SEAT |
| 7. O-RING (2) | 18. HELICAL COMPRESSION SPRING |
| 8. GOVERNOR PISTON | 19. LOWER SPRING SEAT (2) |
| 9. O-RING | 20. SPRING GUIDE |
| 10. HELICAL COMPRESSION SPRING | 21. MACHINE SCREW |
| 11. EXHAUST STEM | 22. HOOKED WIRE |

TA 238443

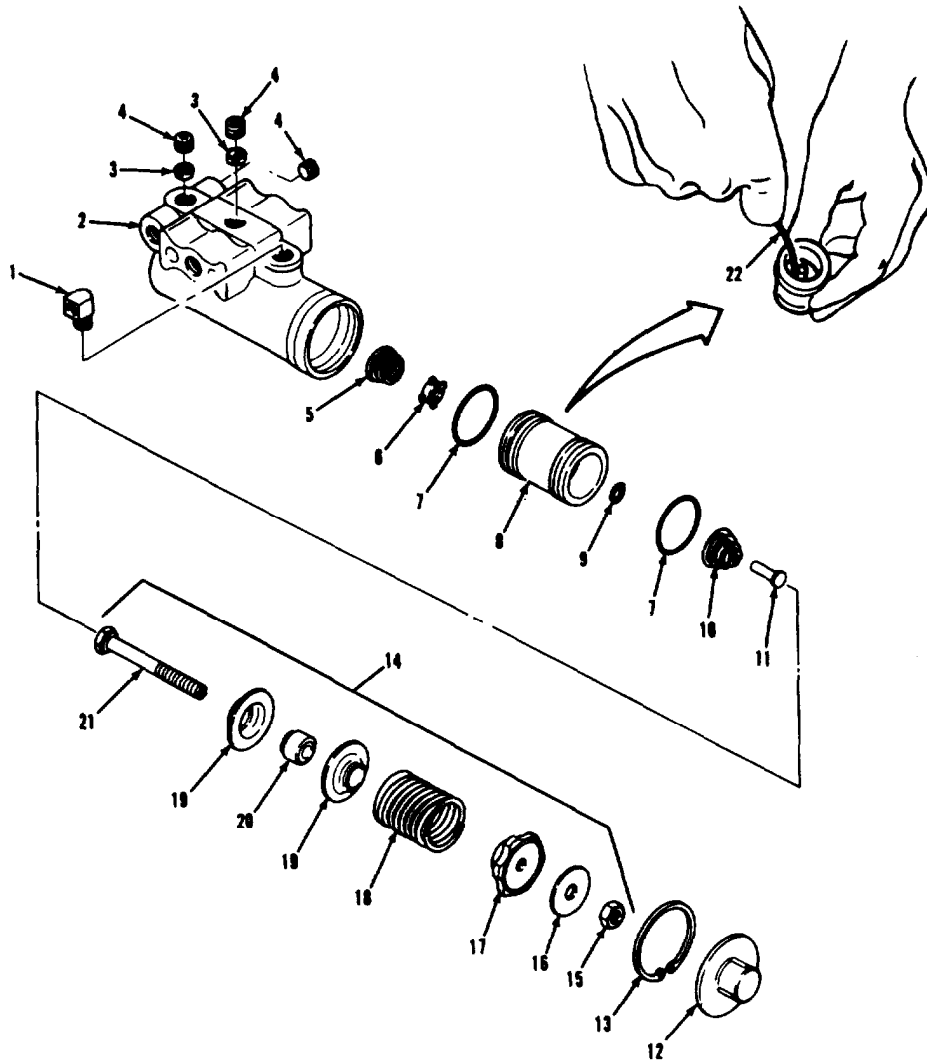
BRAKE SYSTEM

3-85. AIR COMPRESSOR GOVERNOR REPAIR (Continued).

LOCATION/ITEM	ACTION	REMARKS
C. INSPECTION.		
12. All parts.	Inspect.	Refer to paragraph 3-5.
D. ASSEMBLY.		
NOTE		
Before assembling, lubricate all parts with pneumatic grease.		
13. Elbow (1), two elements (3), and three plugs (4).	a. Wrap items (1) and (4) with thread sealing tape. b. Install into item (2).	Refer to paragraph 3-7.
14. New 0-ring (9).	Using item (22), install into groove inside item (8).	
15. Two new 0-rings (7).	Install on item (8).	
16. Spring (5) and valve (6).	Install in item (8).	Make sure small coil end of item (5) is against item (6). Press item (5) into item (8) until large coil end snaps into groove inside item (8).
17. Spring (10).	Install on item (11).	Make sure small coil end of item (10) is toward head of item (11).
18. Spring (10) and stem (11) (assembled).	Carefully install into stem bore of item (8).	

BRAKE SYSTEM

3-85. AIR COMPRESSOR GOVERNOR REPAIR (Continued).



LEGEND:

- | | |
|--------------------------------|--------------------------------|
| 1. MALE ELBOW | 12. ACCESS COVER |
| 2. GOVERNOR BODY | 13. RETAINER CLIP |
| 3. STRAINER ELEMENT (2) | 14. SCREW AND SPRING ASSEMBLY |
| 4. PLUG (3) | 15. NUT |
| 5. SPRING | 16. WASHER |
| 6. EXHAUST VALVE | 17. UPPER SPRING SEAT |
| 7. O-RING (2) | 18. HELICAL COMPRESSION SPRING |
| 8. GOVERNOR PISTON | 19. LOWER SPRING SEAT (2) |
| 9. O-RING | 20. SPRING GUIDE |
| 10. HELICAL COMPRESSION SPRING | 21. MACHINE SCREW |
| 11. EXHAUST STEM | 22. HOOKED WIRE |

TA 238444

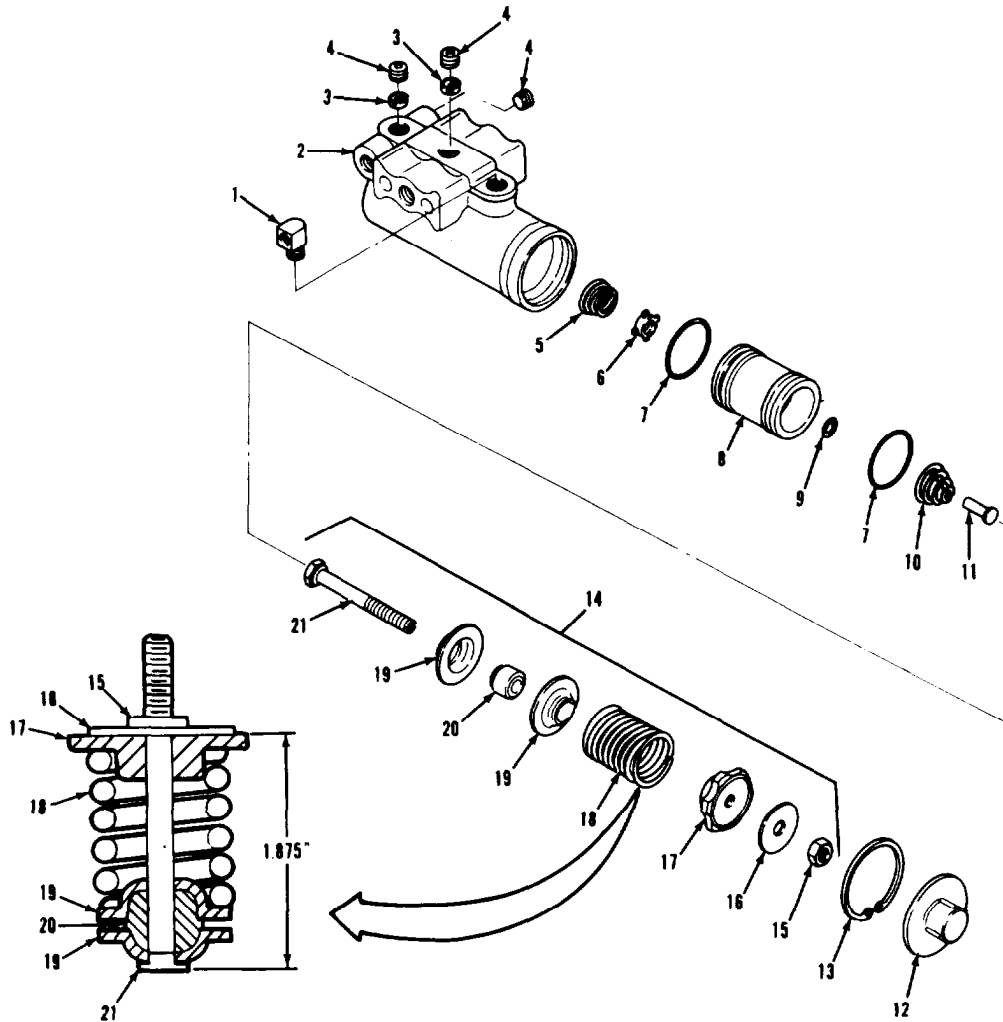
BRAKE SYSTEM

3-85. AIR COMPRESSOR GOVERNOR REPAIR (Continued).

LOCATION/ITEM	ACTION	REMARKS
D. ASSEMBLY (Continued).		
19. Spring (5), valve (6), two 0-rings (7), piston (8), 0-ring (9), spring (10), and stem (11) (assembled).	Install into item (2).	Make sure end of item (8) with items (5) and (6) goes in first. Push item (8) in until it bottoms.
20. Seat (17), spring (18), two seats (19), and guide (20).	Install on item (21) as shown in illustration.	Screw on and tighten item (17) to obtain a measurement of 1.875 inch from the top of item (17) to the bottom of item (21).
21. Nut (15) and washer (16).	Install on item (21) and tighten.	
NOTE		
Before installing assembly, make sure stem and spring are in place.		
22. Screw and spring assembly (14).	Install into item (2).	Make sure head end of item (21) goes in first. Item (17) should seat into item (2).
23. Clip (13).	Install in item (2).	
24. Cover (12).	Install onto item (2) and item (21).	
NOTE		
Follow-on maintenance action required:		
Install air compressor governor (para 3-84).		

BRAKE SYSTEM

3-85. AIR COMPRESSOR GOVERNOR REPAIR (Continued).



LEGEND:

- | | |
|--------------------------------|--------------------------------|
| 1. MALE ELBOW | 12. ACCESS COVER |
| 2. GOVERNOR BODY | 13. RETAINER CLIP |
| 3. STRAINER ELEMENT (2) | 14. SCREW AND SPRING ASSEMBLY |
| 4. PLUG (3) | 15. NUT |
| 5. SPRING | 16. WASHER |
| 6. EXHAUST VALVE | 17. UPPER SPRING SEAT |
| 7. O-RING (2) | 18. HELICAL COMPRESSION SPRING |
| 8. GOVERNOR PISTON | 19. LOWER SPRING SEAT (2) |
| 9. O-RING | 20. SPRING GUIDE |
| 10. HELICAL COMPRESSION SPRING | 21. MACHINE SCREW |
| 11. EXHAUST STEM | |

TA 238445

Section X. WHEELS

This section provides procedures authorized at direct and general support maintenance levels to repair wheel components. To find a specific procedure contained in this section, see the task summary below.

3-87. TASK SUMMARY.

INITIAL SETUP

<p><u>APPLICABLE CONFIGURATIONS</u> All.</p>	<p><u>EQUIPMENT CONDITION PARAGRAPH</u> TM 9-2320-283-20.</p>	<p><u>CONDITION DESCRIPTION</u> Brakedrums removed, cleaned and inspected.</p>
<p><u>TEST EQUIPMENT</u> None.</p>		
<p><u>SPECIAL TOOLS</u> Brakedrum lathe 4910-00-516-6192.</p>		
<p><u>MATERIALS/PARTS (P/N)</u> 80 Grit emery cloth Item 2, Appendix B.</p>		
<p><u>PERSONNEL REQUIRED</u> One (MOS-63W).</p>	<p><u>SPECIAL ENVIRONMENTAL CONDITIONS</u> None.</p>	
<p><u>REFERENCES (TM)</u> TM 9-2320-283-20.</p>	<p><u>GENERAL SAFETY INSTRUCTIONS</u> None.</p>	
<p><u>TROUBLESHOOTING REFERENCES</u> Paragraph 2-7.</p>		

LIST OF TASKS

TASK	TASK REF	TROUBLESHOOTING REF NO. (PARA)
Brakedrum Repair	2-88	

WHEELS.

3-88. BRAKEDRUM REPAIR.

THIS TASK COVERS

Repair of front and rear brakedrums.

INITIAL SETUP

APPLICABLE CONFIGURATIONS

All.

EQUIPMENT CONDITION
PARAGRAPH

TM 9-2320-283-20.

CONDITION DESCRIPTION

Brakedrums removed,
cleaned and inspected.

TEST EQUIPMENT

None.

SPECIAL TOOLS

Brakedrum lathe
4910-00-516-6192.

MATERIALS/PARTS (P/N)

80 Grit emery cloth
Item 2, Appendix B.

PERSONNEL REQUIRED

One (MOS-63W).

SPECIAL ENVIRONMENTAL CONDITIONS

None.

REFERENCES (TM)

TM 9-2320-283-20.

GENERAL SAFETY INSTRUCTIONS

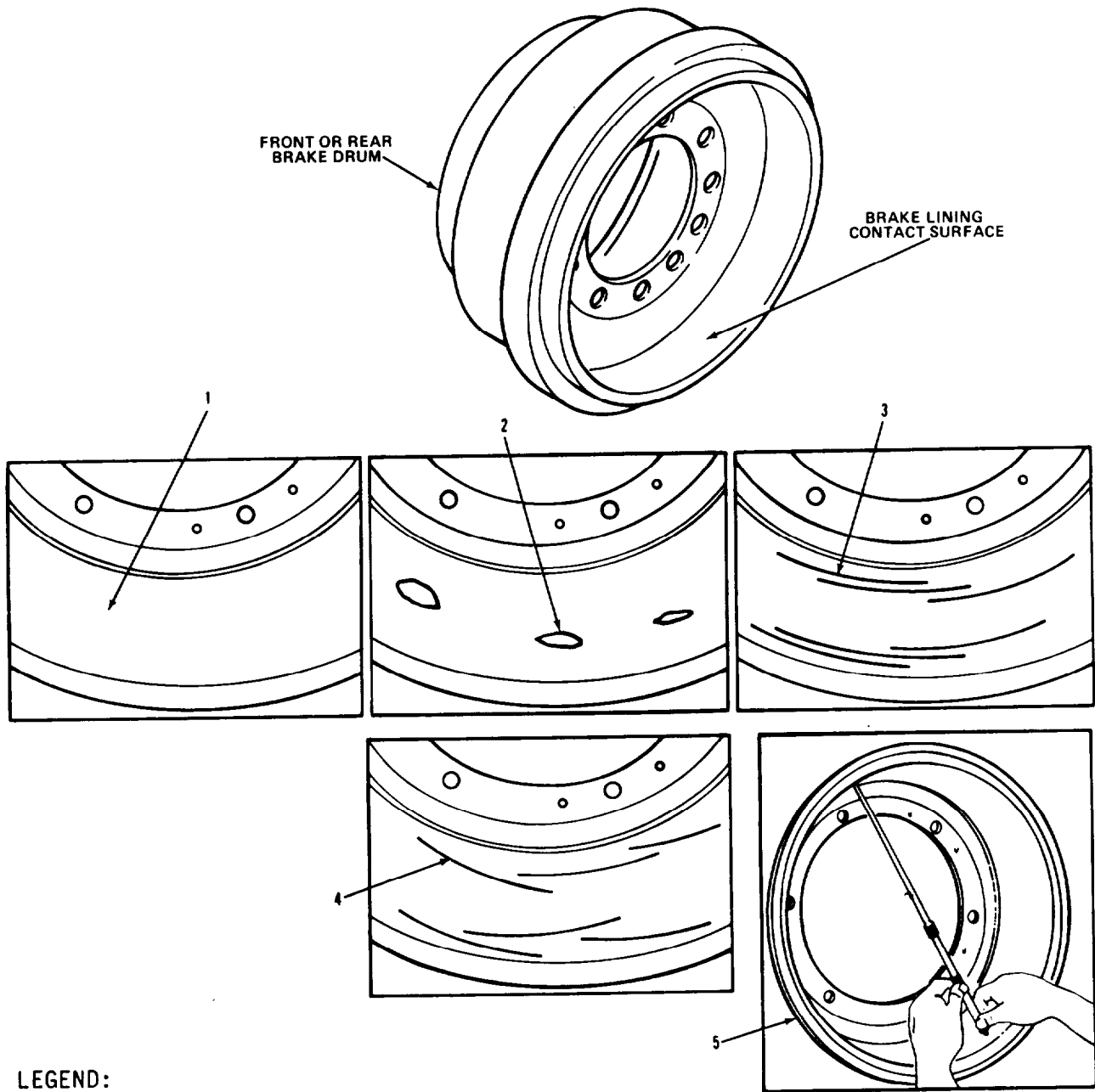
None.

TROUBLESHOOTING REFERENCES

None.

WHEELS.

3-88. BRAKEDRUM REPAIR (Continued).



LEGEND:

LISTED BELOW ARE THE FOLLOWING TYPES OF BRAKEDRUM DEFECTS:

1. POLISHED BRAKING SURFACE
2. HEAT SPOTS
3. SCORED
4. HAIRLINE CRACKS
5. OUT-OF-ROUND

TA 238446

WHEELS.

3-88. BRAKEDRUM REPAIR (Continued).

LOCATION/ITEM

ACTION

REMARKS

NOTE

This procedure describes the methods used to repair defects to the brake lining contact surface. Before you start, measure the inside diameter to determine the maximum amount of machining that can be done. The diameter at time of manufacture was 16.500 inches. The total amount of actual wear allowed before replacement is 0.120 inches. The maximum amount that can be machined is 0.080 inches.

REPAIR OF FRONT AND REAR BRAKEDRUMS.

- | | | |
|----------------------------------|--|--|
| 1. Polished braking surface (1). | Sand with 80 grit emery cloth to remove gloss like finish. | This is recognized by mirror-like finish on the braking surface. |
|----------------------------------|--|--|

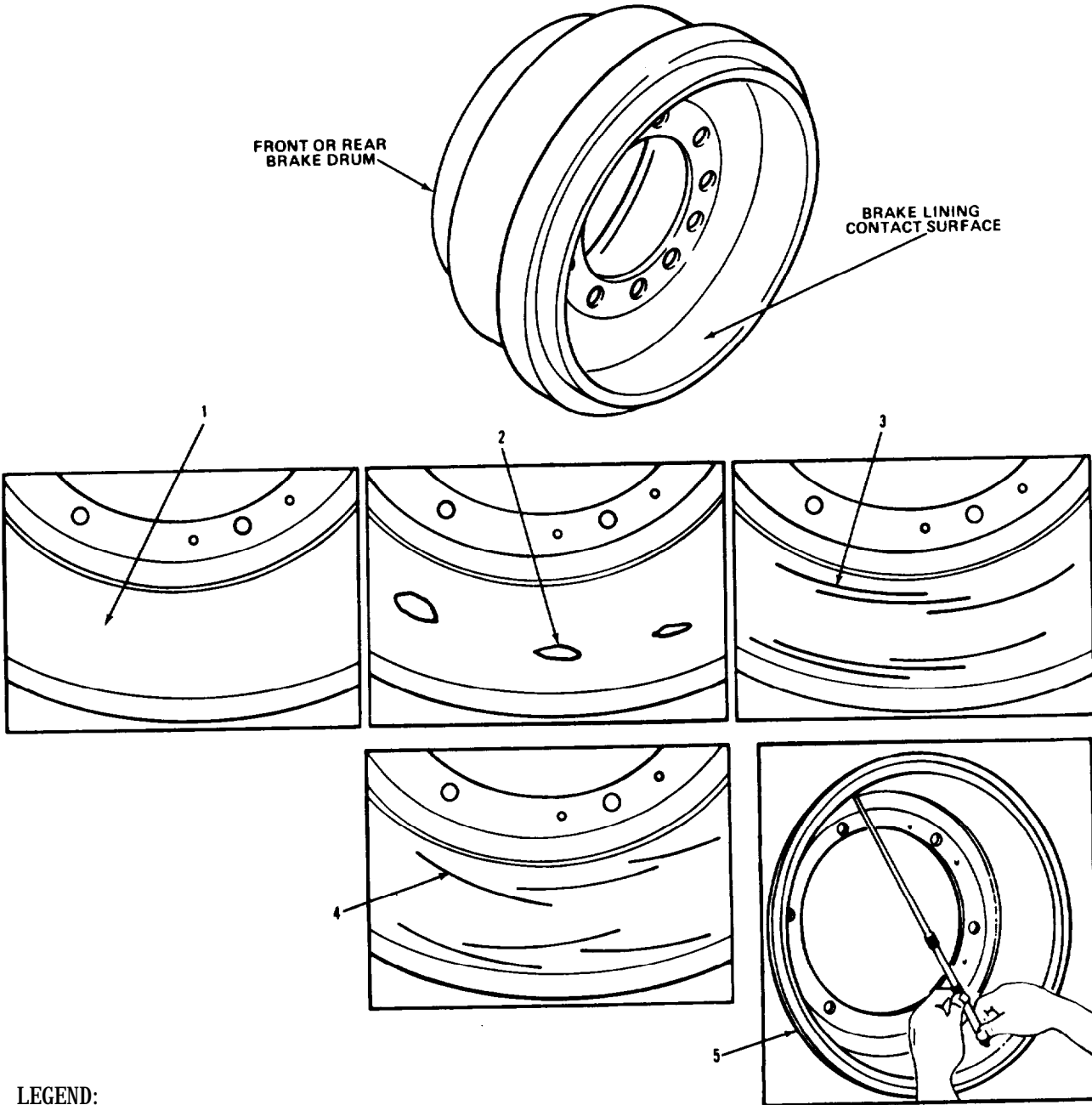
CAUTION

Do not exceed allowable machining limits.

- | | | |
|---|---|---|
| 2. Heat spots (2), scoring (3), cracks (4), and out-of-round (5). | Using brakedrum lathe, machine surface until defect is removed. | Only machine to the extent required to remove defect. |
|---|---|---|

WHEELS.

1-88. BRAKEDRUM REPAIR (Continued).



LEGEND:

LISTED BELOW ARE THE FOLLOWING TYPES OF BRAKEDRUM DEFECTS:

- 1. POLISHED BRAKING SURFACE
- 2. HEAT SPOTS
- 3. SCORED
- 4. HAIRLINE CRACKS
- 5. OUT-OF-ROUND

TA 238447

Section XI. SPRINGS, SHOCK ABSORBERS, AND TORQUE RODS

3-89. GENERAL.

This section provides procedures authorized at direct and general support maintenance levels to adjust, replace, and repair steering system components. To find a specific procedure contained in this section, see the task summary below:

3-90. TASK SUMMARY.	
<u>INITIAL SETUP</u>	
<u>APPLICABLE CONFIGURATIONS</u>	<u>EQUIPMENT CONDITION PARAGRAPH</u>
All.	<u>CONDITION DESCRIPTION</u> (Refer to specific paragraph for this information).
<u>TEST EQUIPMENT</u>	
Power steering analyzer (for poppet valve adjustment only) (33287) J-26487.	
<u>SPECIAL TOOLS</u>	
Seal driver tool (33287) J-26653. Seal driver tool (33287) J-26654.	
<u>MATERIALS/PARTS (P/N)</u>	
Grease, automotive and artillery Item 7, Appendix B. Cotter pin (for sector shaft adjustment only) (24617) 103389.	Gasket (19954) ER-82141. Filter (19954) ER-93983.
<u>PERSONNEL REQUIRED</u>	<u>SPECIAL ENVIRONMENTAL CONDITIONS</u>
Two (MOS-63W).	Work area clean and away from blowing dirt and dust.
<u>REFERENCES (TM)</u>	<u>GENERAL SAFETY INSTRUCTIONS</u>
TM 9-2320-283-10. TM 9-2320-283-20.	Block rear wheels.
<u>TROUBLESHOOTING REFERENCES</u>	
Paragraph 2-7.	

STEERING SYSTEM

3-90. TASK SUMMARY (Continued).			
LIST OF TASKS			
TASK NO.	TASK	TASK REF	TROUBLESHOOTING REF NO. (PARA)
1	Steering Gear Internal Leakage Test Steering Gear Internal Leakage Test.	3-91 3-91	
2	Steering Gear Adjustment a. Worm Shaft Preload Adjustment. b. Sector Shaft Adjustment. c. Poppet Valve Adjustment.	3-92 3-92a 3-92b 3-92c	2-7
3	Steering Gear Replacement a. Removal. b. Cleaning and Inspection. c. Installation.	3-93 3-93a 3-93b 3-93c	2-7
4	Steering Pump and Reservoir Repair a. Disassembly. b. Cleaning and Inspection. c. Assembly.	3-94 3-94a 3-94b 3-94c	

STEERING SYSTEM

3-91. STEERING GEAR INTERNAL LEAKAGE TEST.

THIS TASK COVERS

Steering Gear Internal Leakage Test.

INITIAL SETUP

APPLICABLE CONFIGURATIONS

All.

EQUIPMENT CONDITION
PARAGRAPH

TM 9-2320-283-20.

CONDITION DESCRIPTION

Power steering analyzer
installed.

TEST EQUIPMENT

Power steering analyzer
(33287) J-26487.

SPECIAL TOOLS

None.

MATERIALS/PARTS (P/N)

None.

PERSONNEL REQUIRED

Two (MOS-63W).

SPECIAL ENVIRONMENTAL CONDITIONS

None.

REFERENCES (TM)

TM 9-2320-283-10.
TM 9-2320-283-20.

GENERAL SAFETY INSTRUCTIONS

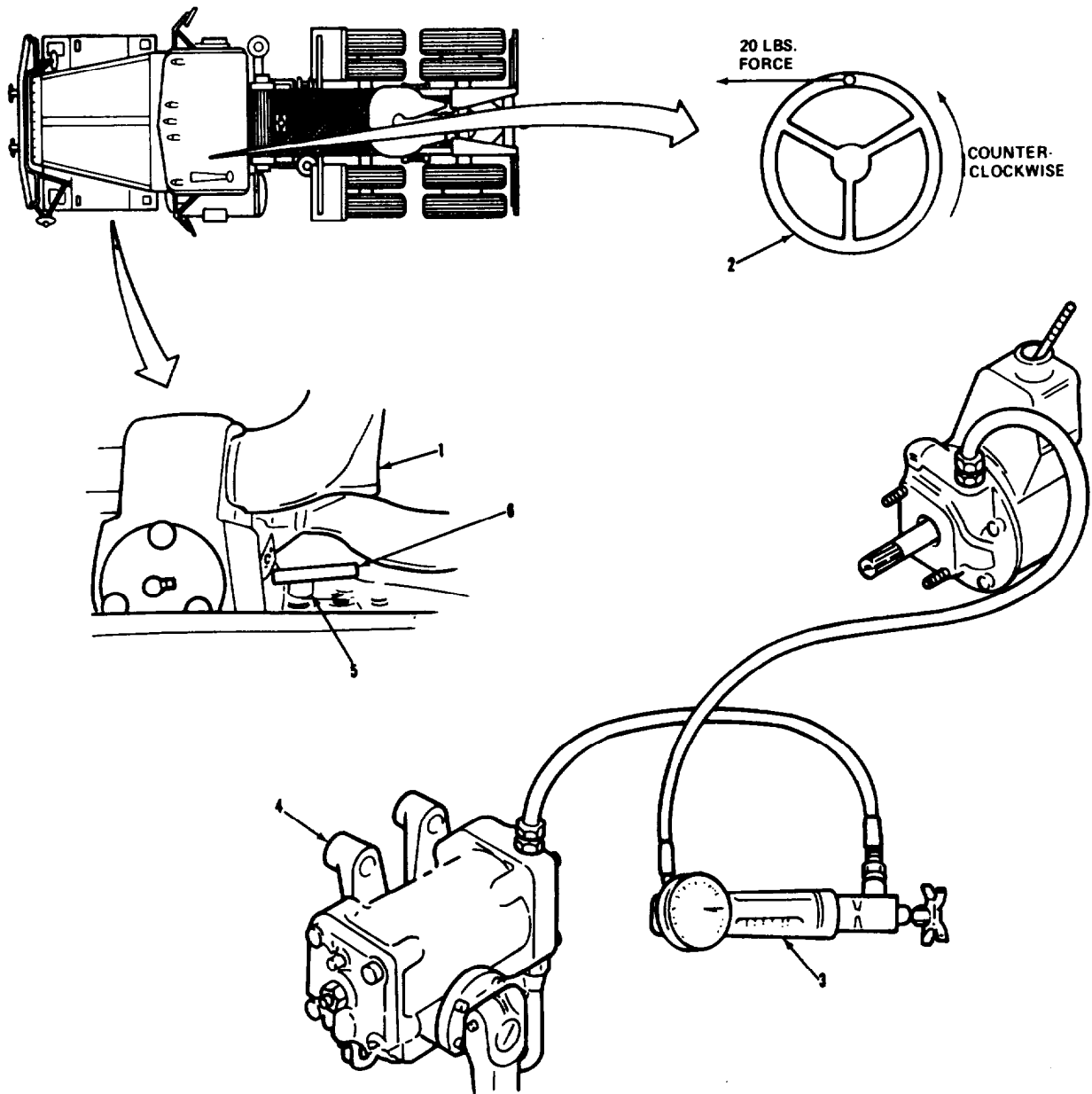
Engine off.
Transmission in neutral.
Park brake set.

TROUBLESHOOTING REFERENCES

Paragraph 2-7.

STEERING SYSTEM

3-91. STEERING GEAR INTERNAL LEAKAGE TEST (Continued).



LEGEND:

1. STEERING ARM
2. STEERING WHEEL
3. POWER STEERING ANALYZER
4. POWER STEERING GEAR ASSEMBLY
5. AXLE STOP
6. 3/16-INCH SPACER BLOCK

TA 238448

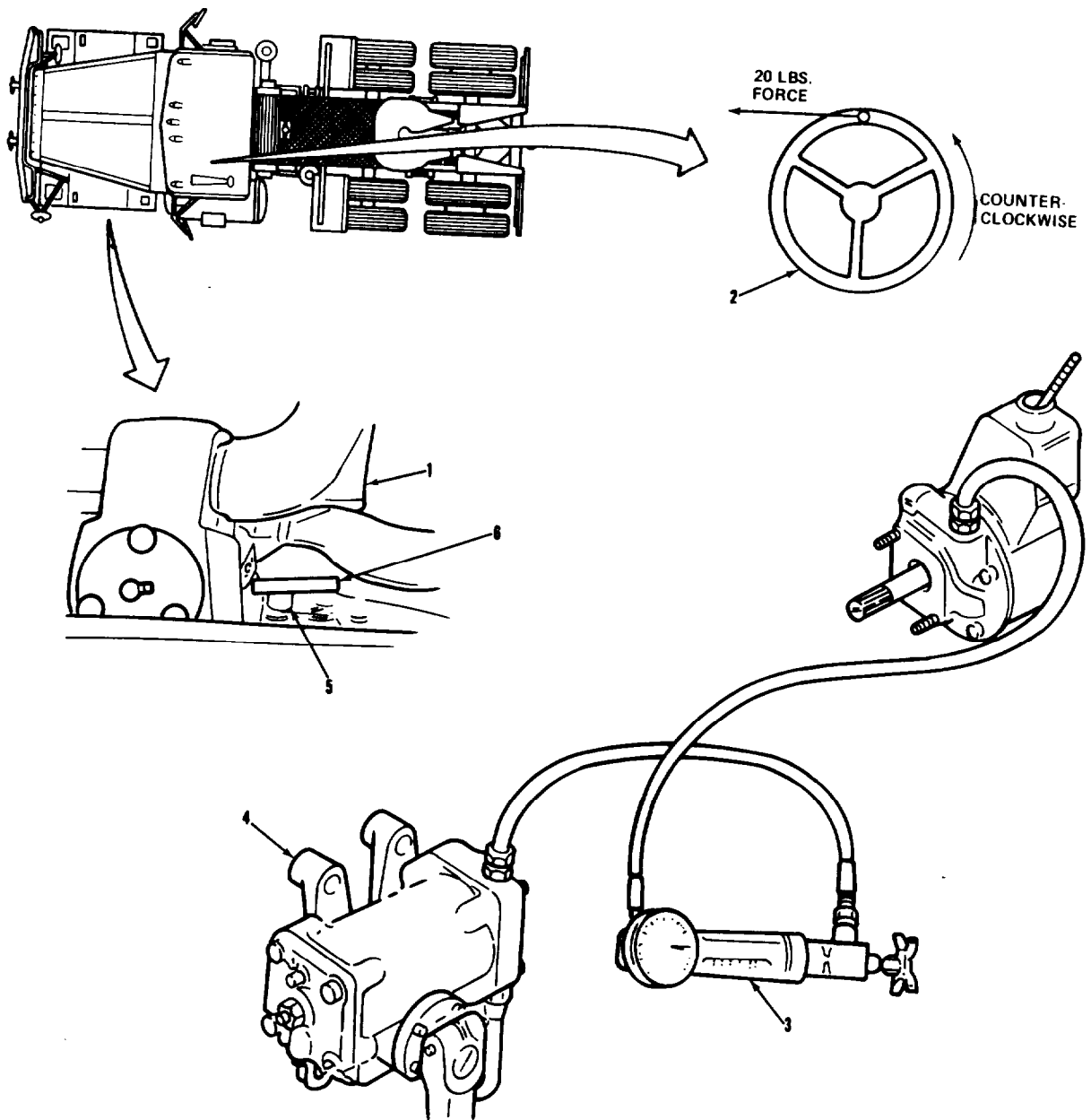
STEERING SYSTEM

3-91. STEERING GEAR INTERNAL LEAKAGE TEST (Continued).

LOCATION/ITEM	ACTION	REMARKS
STEERING GEAR INTERNAL LEAKAGE TEST.		
<u>WARNING</u>		
<p>To avoid injury, use a malleable (soft metal) spacer block, and keep fingers clear of axle stop and spacer block during steps 1 and 3. Also make sure spacer block contacts axle stop squarely. Contact that is not square could break axle stop or dangerously throw or eject spacer block.</p>		
<u>CAUTION</u>		
<p>Do not hold steering wheel in full turn position for longer than 5 to 10 seconds at a time to avoid damaging steering pump.</p>		
1. Block (6).	<p>Hold between items (1) and (5) on left side of vehicle during step 2a.</p>	
2. Wheel (2).	<p>a. Have assistant turn counterclockwise until item (5) bottoms on item (6).</p> <p>b. Read pressure and flow rate on item (3), while assistant applies 20 lbs force to rim of item (2).</p>	<p>Use a suitable spring scale to apply force. Pressure reading should be at least 1850 psi. Flow rate should be between 0 and 1 gpm. If pressure is below 2850 psi, replace steering pump and reservoir (TM 9-2320-283-20). If flow rate is more than 1 gpm replace steering gear, refer to paragraph 3-93.</p>

STEERING SYSTEM

3-91. STEERING GEAR INTERNAL LEAKAGE TEST (Continued).



LEGEND:

- 1. STEERING ARM
- 2. STEERING WHEEL
- 3. POWER STEERING ANALYZER
- 4. POWER STEERING GEAR ASSEMBLY
- 5. AXLE STOP
- 6. 3/16-INCH SPACER BLOCK

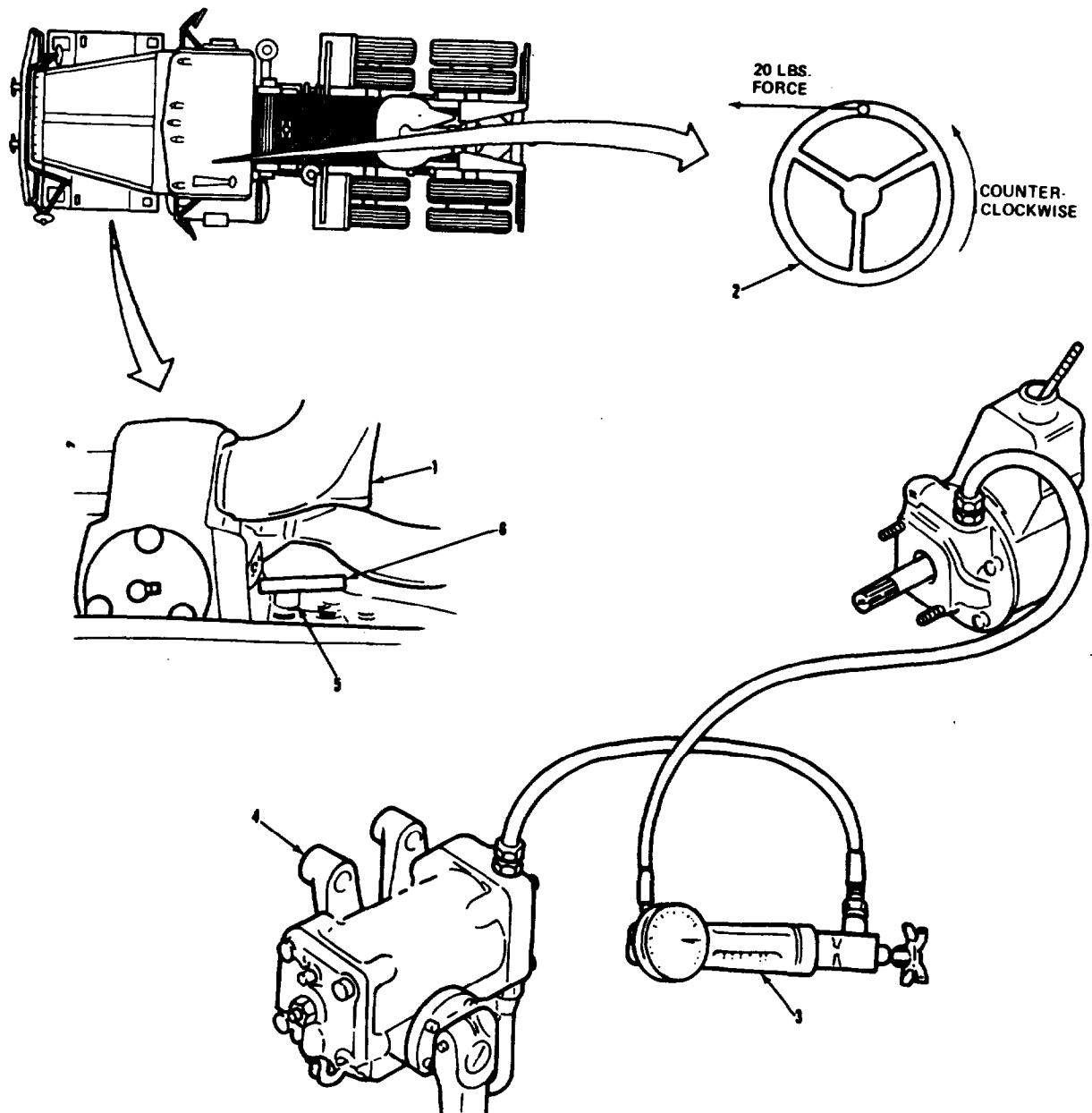
TA 238449

STEERING SYSTEM

3-91. STEERING GEAR INTERNAL LEAKAGE TEST (Continued).		
LOCATION/ITEM	ACTION	REMARKS
STEERING GEAR INTERNAL LEAKAGE TEST (Continued).		
3. Block (6) and wheel (2).	Repeat steps 1 and 2 for right side of vehicle, then remove item (6).	
NOTE		
Follow on maintenance action required:		
Remove power steering analyzer (TM 9-2320-283-20).		

STEERING SYSTEM

3-91. STEERING GEAR INTERNAL LEAKAGE TEST (Continued).



LEGEND:

1. STEERING ARM
2. STEERING WHEEL
3. POWER STEERING ANALYZER
4. POWER STEERING GEAR ASSEMBLY
5. AXLE STOP
6. 3/16-INCH SPACER BLOCK

TA 238450

STEERING SYSTEM

3-92. STEERING GEAR ADJUSTMENT.

THIS TASK COVERS

- a. Worm Shaft Preload Adjustment.
- b. Sector Shaft Adjustment.
- c. Poppet Valve Adjustment

INITIAL SETUP

<u>APPLICABLE CONFIGURATIONS</u>	<u>EQUIPMENT CONDITION PARAGRAPH</u>	<u>CONDITION DESCRIPTION</u>
ALL.	None.	None.

TEST EQUIPMENT
(for poppet valve adjustment only)
(33287) J-26487.

SPECIAL TOOLS
None.

MATERIALS/PARTS (P/N)
Cotter pin (for sector shaft adjustment only)
(24617) 103389.

PERSONNEL REQUIRED
Two (MDS-63W).

SPECIAL ENVIRONMENTAL CONDITIONS
None.

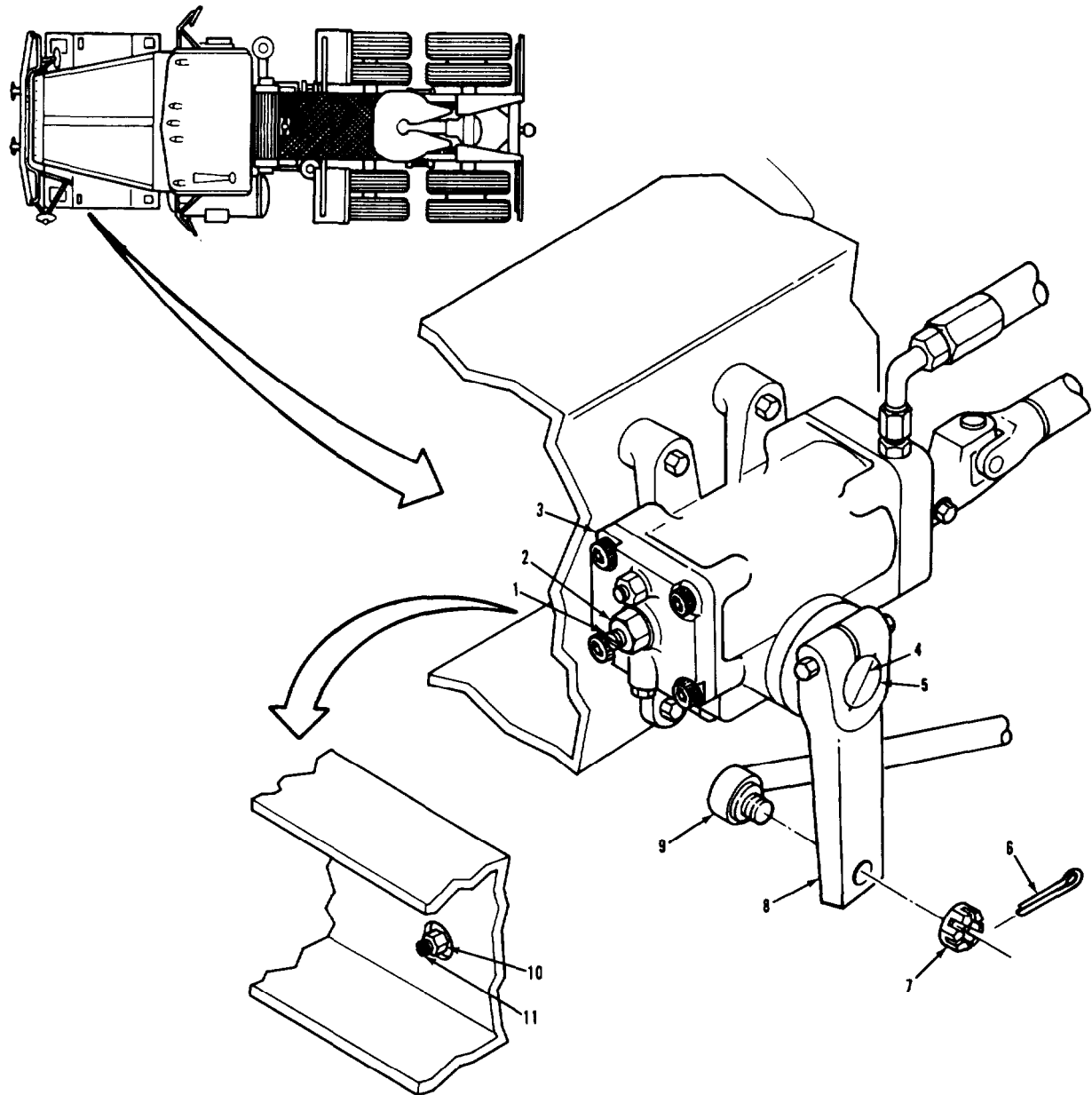
REFERENCES (TM)
TM 9-2320-283-10
TM 9-2320-283-34P.

GENERAL SAFETY INSTRUCTIONS
None.

TROUBLESHOOTING REFERENCES
Paragraph 2-7.

STEERING SYSTEM

3-92. STEERING GEAR ADJUSTMENT (Continued).



LEGEND:

- 1. ADJUSTING SCREW
- 2. NUT
- 3. END COVER
- 4. ALI NEMENT MARK
- 5. SECTOR SHAFT
- 6. COTTER PIN

- 7. CASTLE NUT
- 8. STEERING ARM
- 9. VERTICAL LINK
- 10. ADJUSTING SCREW NUT
- 11. ADJUSTING SCREW

TA 238451

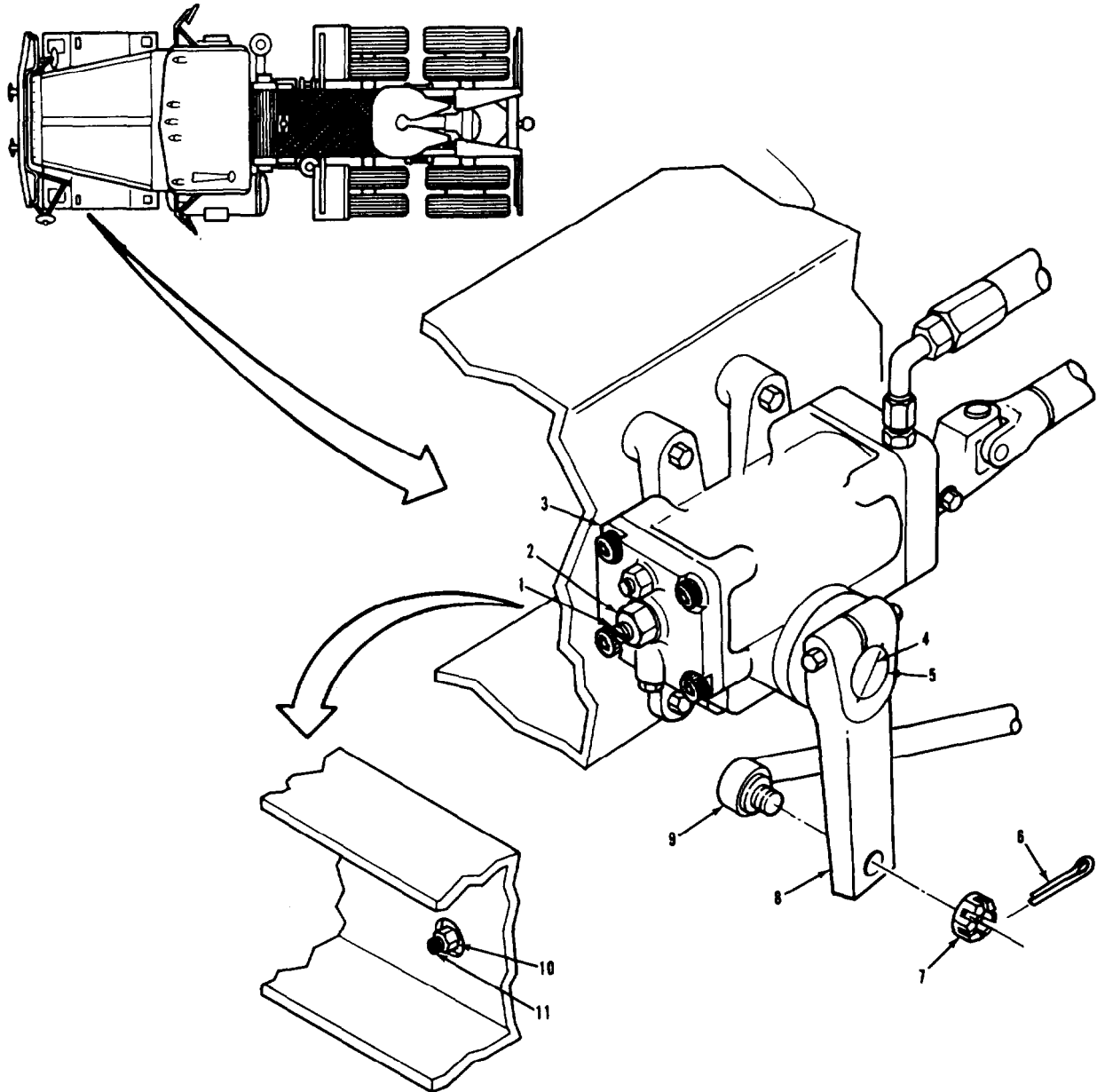
STEERING SYSTEM

3-92. STEERING GEAR ADJUSTMENT (Continued).

LOCATION/ITEM	ACTION	REMARKS
A. WORM SHAFT PRELOAD ADJUSTMENT		
1. Nut (2).	While holding item (1), unscrew item (2) a few turns, but do not remove.	
2. Screw (1).	a. Unscrew one turn. b. Inspect threads between items (2) and (3).	Clean threads of item (1) if necessary. If sealing material in item (2) has separated, remove items (1) and (2), and discard item (2). Install new item (2) onto non-slotted end of item (1) and install item (1) into item (3).
	c. While assistant lightly moves steering wheel back and forth about one inch total, torque item (1) to 60-70 lb-in..	Make sure item (2) does not tighten against item (3) during this step.
3. Nut (2).	While holding item (1), torque to 70-80 lb-ft.	If sealing material of item (2) has separated, replace item (2) and repeat wormshaft preload adjustment (steps 1 thru 3).
B. SECTOR SHAFT ADJUSTMENT		
4. Pin (6).	Remove from items (7) and (9).	Discard item (6).
5. Nut (7) and link (9).	Remove from item (8).	

STEERING SYSTEM

3-92. STEERING GEAR ADJUSTMENT (Continued).



LEGEND:

- 1. ADJUSTING SCREW
- 2. NUT
- 3. END COVER
- 4. ALINEMENT MARK
- 5. SECTOR SHAFT
- 6. COTTER PIN

- 7. CASTLE NUT
- 8. STEERING ARM
- 9. VERTICAL LINK
- 10. ADJUSTING SCREW NUT
- 11. ADJUSTING SCREW

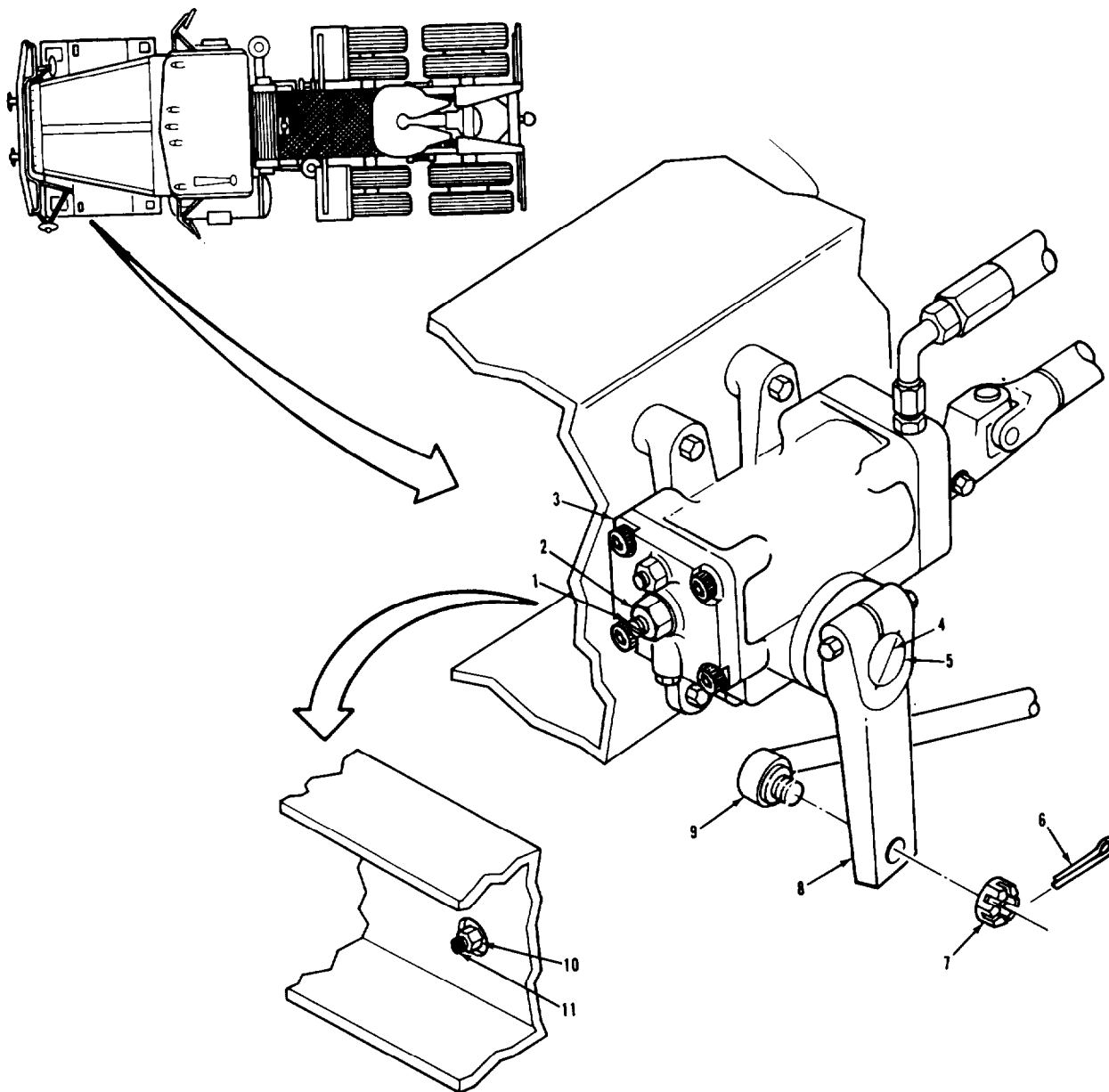
TA 228452

STEERING SYSTEM

3-92. STEERING GEAR ADJUSTMENT (Continued).		
LOCATION/ITEM	ACTION	REMARKS
B. SECTOR SHAFT ADJUSTMENT (Continued).		
6. Shaft (5).	Have assistant rotate steering wheel until item (4) is straight up and down.	Item (5) is on its center of travel when item (4) is straight up and down. This adjustment must be made with item (5) on its center of travel.
7. Arm (8).	Using fingertip force, gently try to move back and forth in direction of travel.	There must be no movement of item (5). If there is movement, adjust item (11) as shown in steps 8 thru 10. If there is no movement, skip steps 8 thru 10 and go to step 11.
8. Nut (10).	While holding item (11), unscrew item (10) a few turns, but do not remove.	
9. Screw (11).	<p>a. Screw in until contact is made, but do not torque to more than 10 lb-ft.</p> <p>b. Unscrew one turn.</p> <p>c. Screw in until no movement of item (5) is felt.</p>	At this point there should be movement of item (5).
10. Nut (10).	While holding item (11), torque to 40-45 lb-ft.	
11. Link (9) and nut (7).	Install on item (8).	When item (11) has been properly torqued, repeat step 7.
12. New pin (6).	Install into items (7) and (9).	Torque item (7) to 120 lb-ft.

STEERING SYSTEM

3-92. STEERING GEAR ADJUSTMENT (Continued).



LEGEND:

- 1. ADJUSTING SCREW
- 2. NUT
- 3. END COVER
- 4. ALINEMENT MARK
- 5. SECTOR SHAFT
- 6. COTTER PIN

- 7. CASTLE NUT
- 8. STEERING ARM
- 9. VERTICAL LINK
- 10. ADJUSTING SCREW NUT
- 11. ADJUSTING SCREW

TA 238483

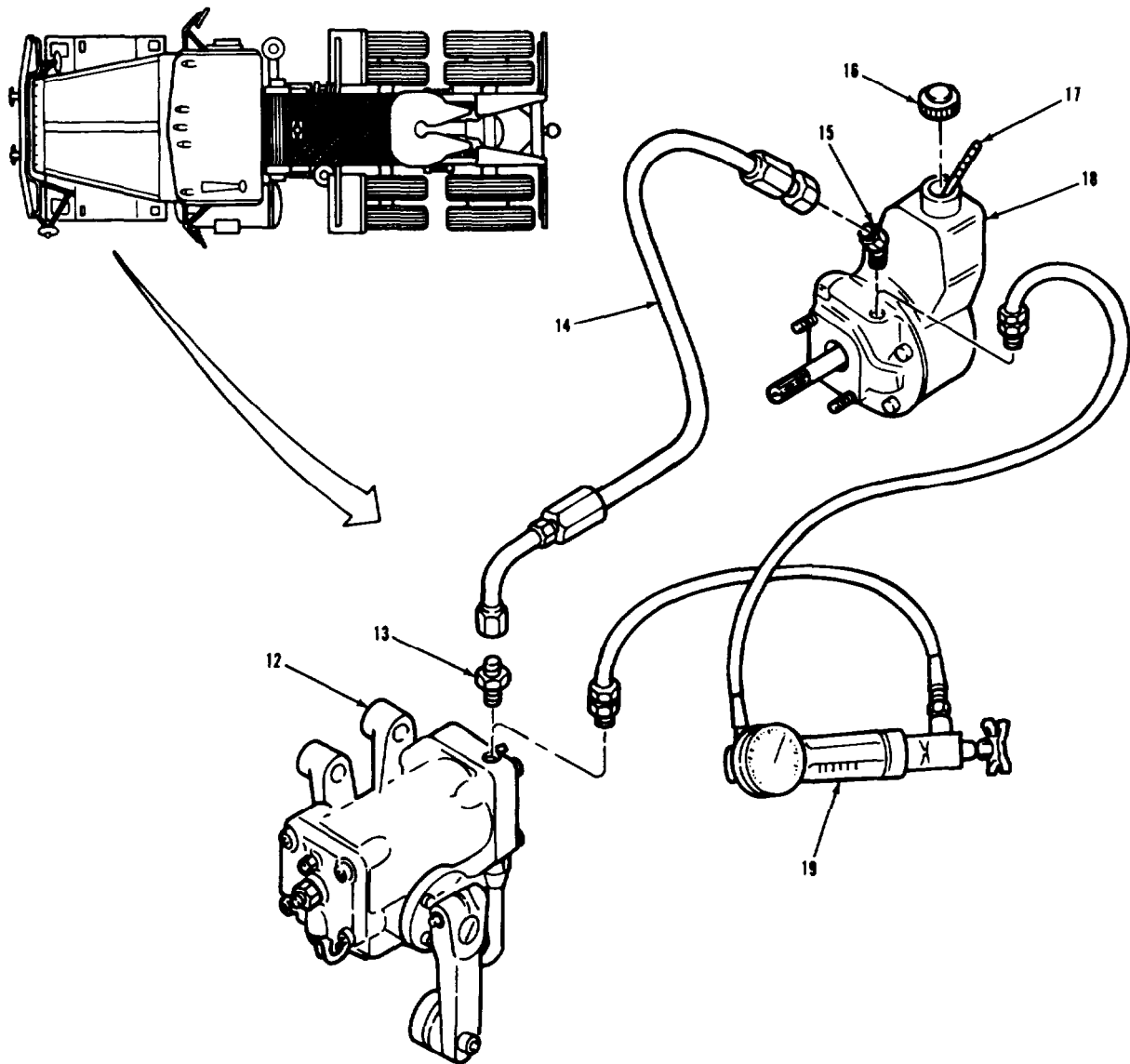
STEERING SYSTEM

3-92. STEERING GEAR ADJUSTMENT (Continued):

LOCATION/ITEM	ACTION	REMARKS
C. POPPET VALVE ADJUSTMENT.		
13. Supply hose (14), elbow (15), and connector (13).	Remove from items (12) and (18).	
14. Analyzer (19).	Install into items (12) and (18) (as shown in illustration).	
15. Cap (16).	Remove from item (18).	
16. Thermometer (17).	Place in item (18).	
<u>CAUTION</u>		
<p>Do not close valve of analyzer completely and leave it closed, or the pump may be damaged. At no time should fluid temperature exceed 180°F. To prevent damage from high temperatures, perform this adjustment within a temperature range of 125°F-135°F.</p>		
17. Engine.	Start and let idle at about 600 rpm	Refer to TM 9-2320-283-10.
18. Analyzer (19).	<p>a. Close valve part way until pressure gage reads 1000 psi.</p> <p>b. When item (17) shows between 125°F and 135°F, open valve.</p>	

STEERING SYSTEM.

3-92. STEERING GEAR ADJUSTMENT (Continued).



LEGEND:

- 12. STEERING GEAR ASSEMBLY
- 13. MALE CONNECTOR
- 14. SUPPLY HOSE ASSEMBLY
- 15. 45' ELBOW

- 16. FILLER CAP
- 17. THERMOMETER
- 18. POWER STEERING PUMP ASSEMBLY
- 19. POWER STEERING ANALYZER

TA 238454

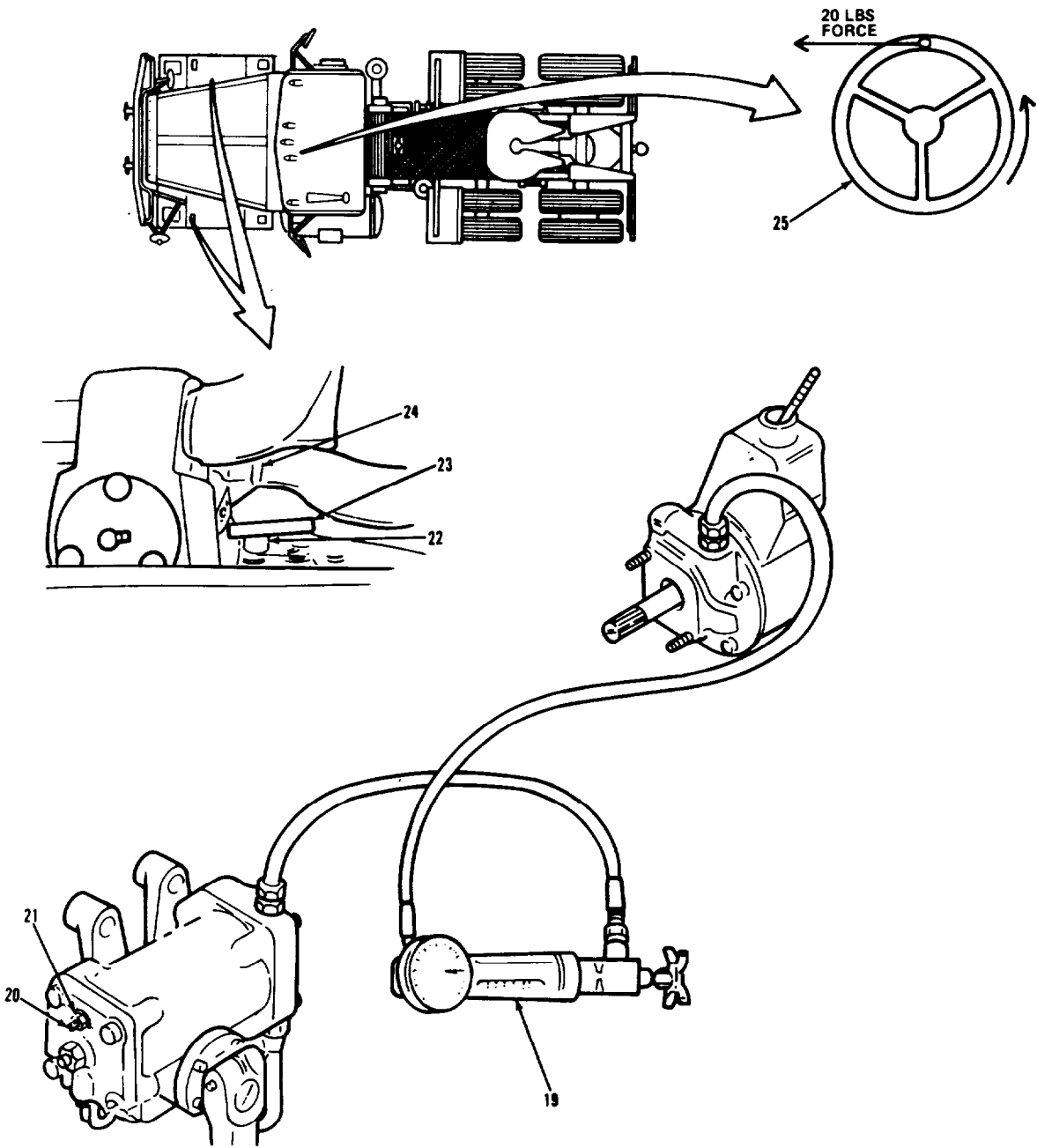
STEERING SYSTEM

3-92. STEERING GEAR ADJUSTMENT (Continued).

LOCATION/ITEM	ACTION	REMARKS
<p>C. POPPET VALVE ADJUSTMENT (Continued).</p>		
<p><u>WARNING</u></p>		
<p>To avoid injury, keep fingers clear of axle stop and spacer block during steps 19 and 21.</p>		
<p><u>CAUTION</u></p>		
<p>Do not hold steering wheel in full turn position for longer than 5 to 10 seconds at a time to avoid damaging steering pump.</p>		
19. Block (23).	Hold between items (22) and (24) on left side of vehicle during step 20a.	
20. Wheel (25).	a. Have assistant turn counterclockwise until item (22) bottoms on item (23).	
	b. Read pressure on item (19), while assistant applies 20 lbs force to rim (see illustration).	Use a suitable spring scale
	c. Loosen item (21) and adjust item (20) until pressure on item (19) is between 700 psi and 900 psi.	When pressure is properly set, hold item (20) and torque item (21) to 12-18 lb-ft.
21. Block (23).	Hold between items (22) and (24) on right side of vehicle during step 22a.	

STEERING SYSTEM

3-92. STEERING GEAR ADJUSTMENT (Continued).



LEGEND:

- 19. POWER STEERING ANALYZER
- 20. ADJUSTING SCREW
- 21. NUT
- 22. AXLE STOP
- 23. 3/16-INCH SPACER BLOCK
- 24. STEERING ARM
- 25. STEERING WHEEL

TA 238455

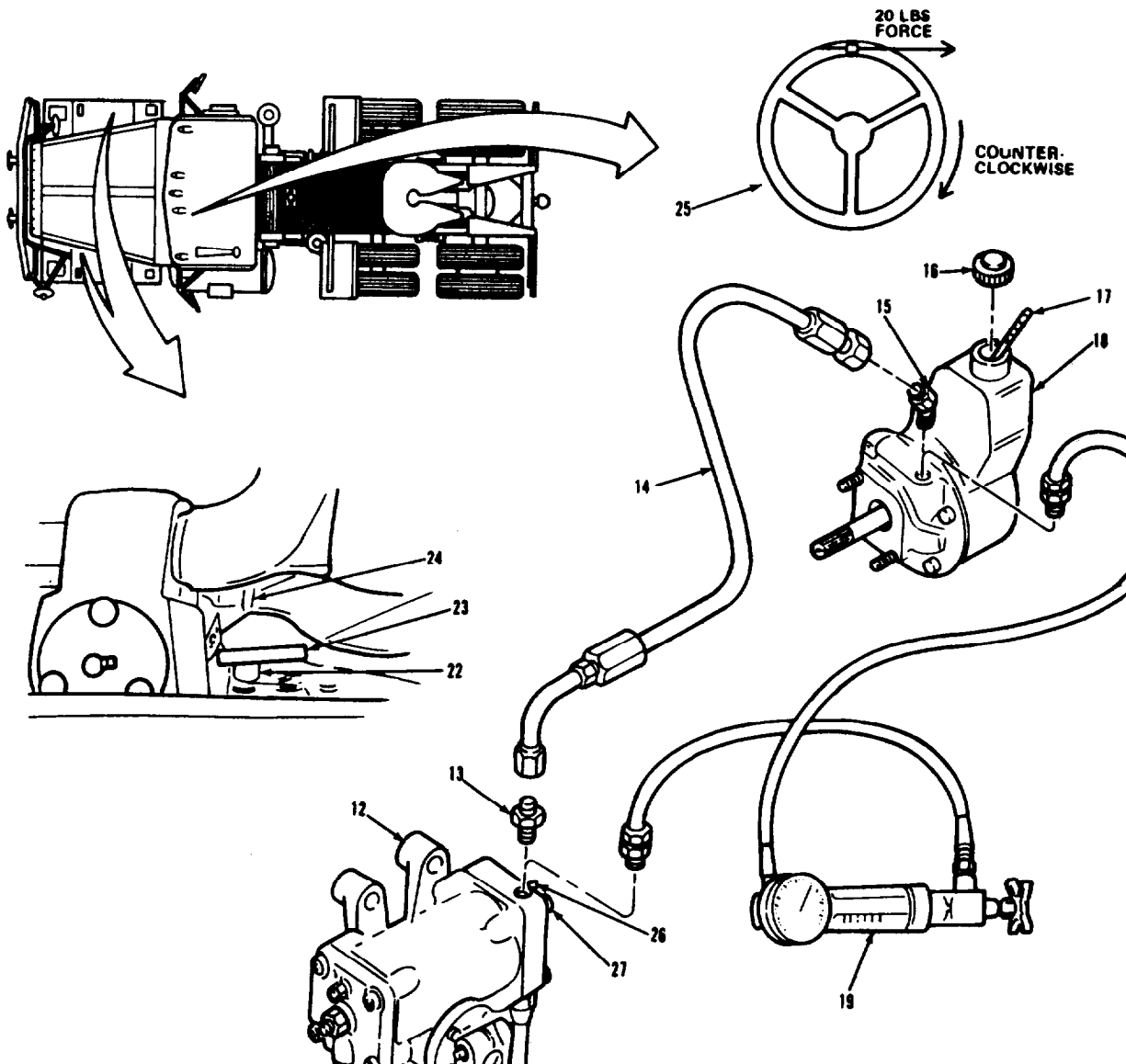
STEERING SYSTEM

3-92. STEERING GEAR ADJUSTMENT (Continued).

LOCATION/ITEM	ACTION	REMARKS
C. POPPET VALVE ADJUSTMENT (Continued).		
22. Wheel (25).	a. Have assistant turn clockwise until item (22) bottoms on item (23).	
	b. Read pressure on item (19), while assistant applies 20 lbs force to rim (see illustration).	Use a suitable spring scale.
	c. Loosen item (27) and adjust item (26) until pressure on item (19) is between 700 psi and 900 psi.	When pressure is properly set, hold item (26) and torque item (27) to 8-11 lb-ft.
23. Block (23).	Remove.	
24. Engine.	Shutdown.	Refer to TM 9-2320-283-10.
25. Thermometer (17).	Remove from item (18).	
26. Cap (16).	Install onto item (18).	
27. Analyzer (19).	Remove from items (12) and (18) l	
28. Elbow (15) connector (13), and supply hose assembly (14).	Install on items (12) and (18) (as shown in illustration).	
NOTE		
Follow-on maintenance action required:		
Operate vehicle and check steering system for leaks and proper operation (TM 9-2320-283-10).		

STEERING SYSTEM

3-92. STEERING GEAR ADJUSTMENT (Continued).



LEGEND:

- | | |
|----------------------------------|-----------------------------|
| 12. STEERING GEAR ASSEMBLY | 19. POWER STEERING ANALYZER |
| 13. MALE CONNECTOR | 22. AXLE STOP |
| 14. SUPPLY HOSE ASSEMBLY | 23. 3/16-INCH SPACER BLOCK |
| 15. 45° ELBOW | 24. STEERING ARM |
| 16. FILLER CAP | 25. STEERING WHEEL |
| 17. THERMOMETER | 26. ADJUSTING SCREW |
| 18. POWER STEERING PUMP ASSEMBLY | 27. HEXAGON NUT |

TA 238456

STEERING SYSTEM

3-93. STEERING GEAR REPLACEMENT.

THIS TASK COVERS

- a. Removal.
- b. Cleaning and Inspection.
- c. Installation.

INITIAL SETUP

APPLICABLE CONFIGURATIONS

All.

EQUIPMENT CONDITION
PARAGRAPH

TM 9-2320-283-10

CONDITION DESCRIPTION

Front wheels turned
completely to left.

TEST EQUIPMENT

SPECIAL TOOLS

None.

MATERIALS/PARTS (P/N)

None.

PERSONNEL REQUIRED

Two (MOS-63W).

SPECIAL ENVIRONMENTAL CONDITIONS

None.

REFERENCES (TM)

TM 9-2320-283-10.
TM 9-2320-283-20.

GENERAL SAFETY INSTRUCTIONS

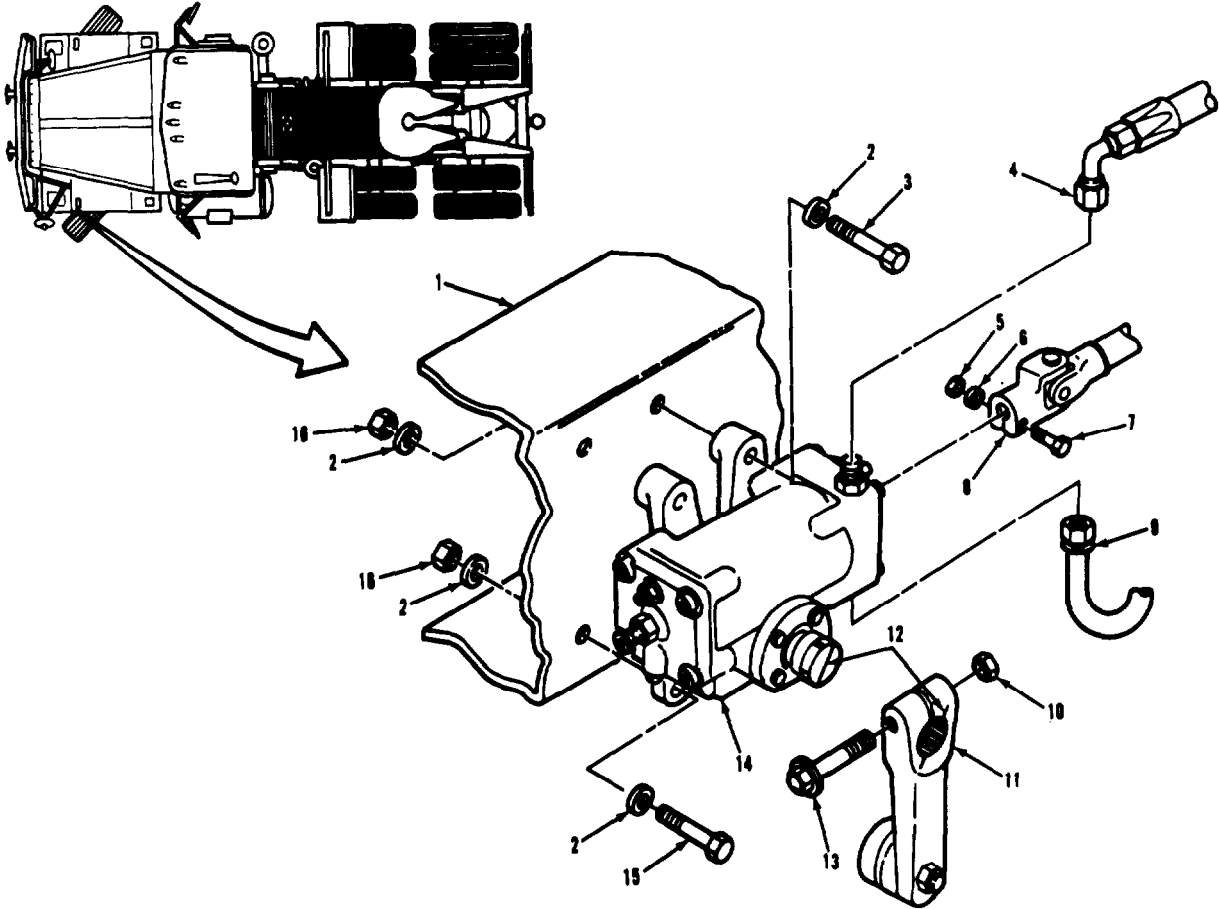
Block rear wheels.

TROUBLESHOOTING REFERENCES

Paragraph 2-7.

STEERING SYSTEM

3-93. STEERING GEAR REPLACEMENT (Continued).



LEGEND:

- | | |
|---|---------------------------------|
| 1. FRAME FRONT SUPPORT BRACKET ASSEMBLY | 9. GEAR TO COOLER TUBE ASSEMBLY |
| 2. PLAIN WASHER (8) | 10. NUT |
| 3. HEXAGON HEAD BOLT (3) | 11. STEERING ARM |
| 4. SUPPLY HOSE ASSEMBLY | 12. ALINEMENT MARK (2) |
| 5. HEXAGON NUT | 13. FLANGE HEAD BOLT |
| 6. LOCKWASHER | 14. STEERING GEAR ASSEMBLY |
| 7. CAPSCREW | 15. HEXAGON HEAD BOLT |
| 8. YOKE | 16. PREVAILING TORQUE NUT (4) |

TA 238457

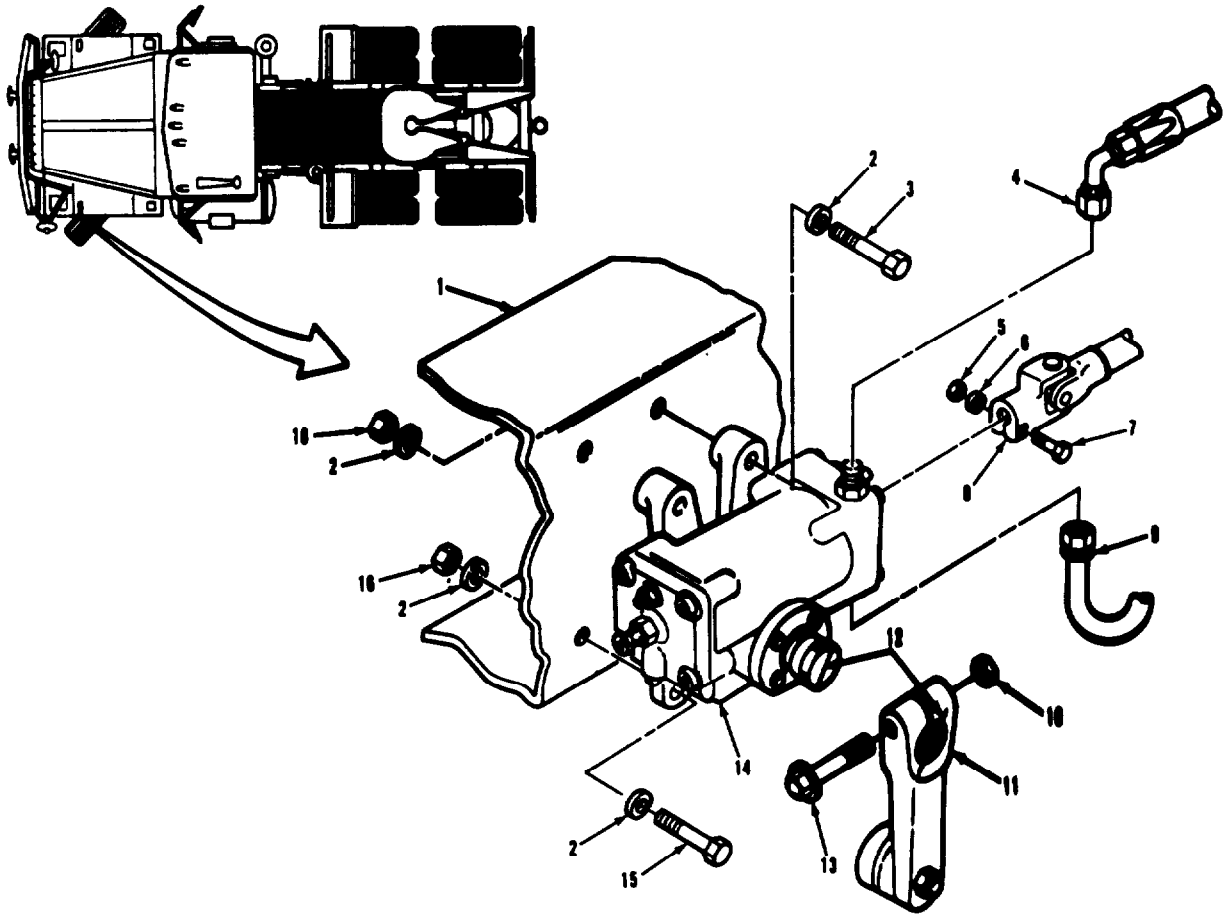
STEERING SYSTEM

3-93. STEERING GEAR REPLACEMENT (Continued).

LOCATION/ITEM	ACTION	REMARKS
A. REMOVAL.		
1. Supply hose assembly (4) and gear to cooler tube assembly (9).	Disconnect from item (14).	Use a suitable container to catch power steering fluid from items (4), (9), and (14). When fluid stops draining, plug items (4) and (9), and cap openings in item (14).
2. Nut (5), lock-washer (6), and capscrew (7).	Remove from item (8).	
3. Yoke (8).	Remove from item (14).	
4. Nut (10) and bolt	Remove from item (11).	
5. Arm (11).	Remove from shaft of item (14).	Put alinement marks (12) on item (11) and shaft of item (14), if not already done. Use a suitable puller to remove item (11), if necessary.
<u>WARNING</u>		
Steering gear assembly is heavy. To avoid injury, be very careful and have assistant help when removing steering gear assembly.		
6. Four nuts (16), six washers (2), and two lower bolts (15).	Remove from items (14) and (1).	Have assistant hold item (14) against item (1) during this step. Do not remove item (3) and upper item (15) until next step.

STEERING SYSTEM

3-93. STEERING GEAR REPLACEMENT (Continued).



LEGEND:

- | | |
|---|---------------------------------|
| 1. FRAME FRONT SUPPORT BRACKET ASSEMBLY | 9. GEAR TO COOLER TUBE ASSEMBLY |
| 2. PLAIN WASHER (8) | 10. NUT |
| 3. HEXAGON HEAD BOLT (3) | 11. STEERING ARM |
| 4. SUPPLY HOSE ASSEMBLY | 12. ALINEMENT MARK (2) |
| 5. HEXAGON NUT | 13. FLANGE HEAD BOLT |
| 6. LOCKWASHER | 14. STEERING GEAR ASSEMBLY |
| 7. CAPSCREW | 15. HEXAGON HEAD BOLT |
| 8. YOKE | 16. PREVAILING TORQUE NUT (4) |

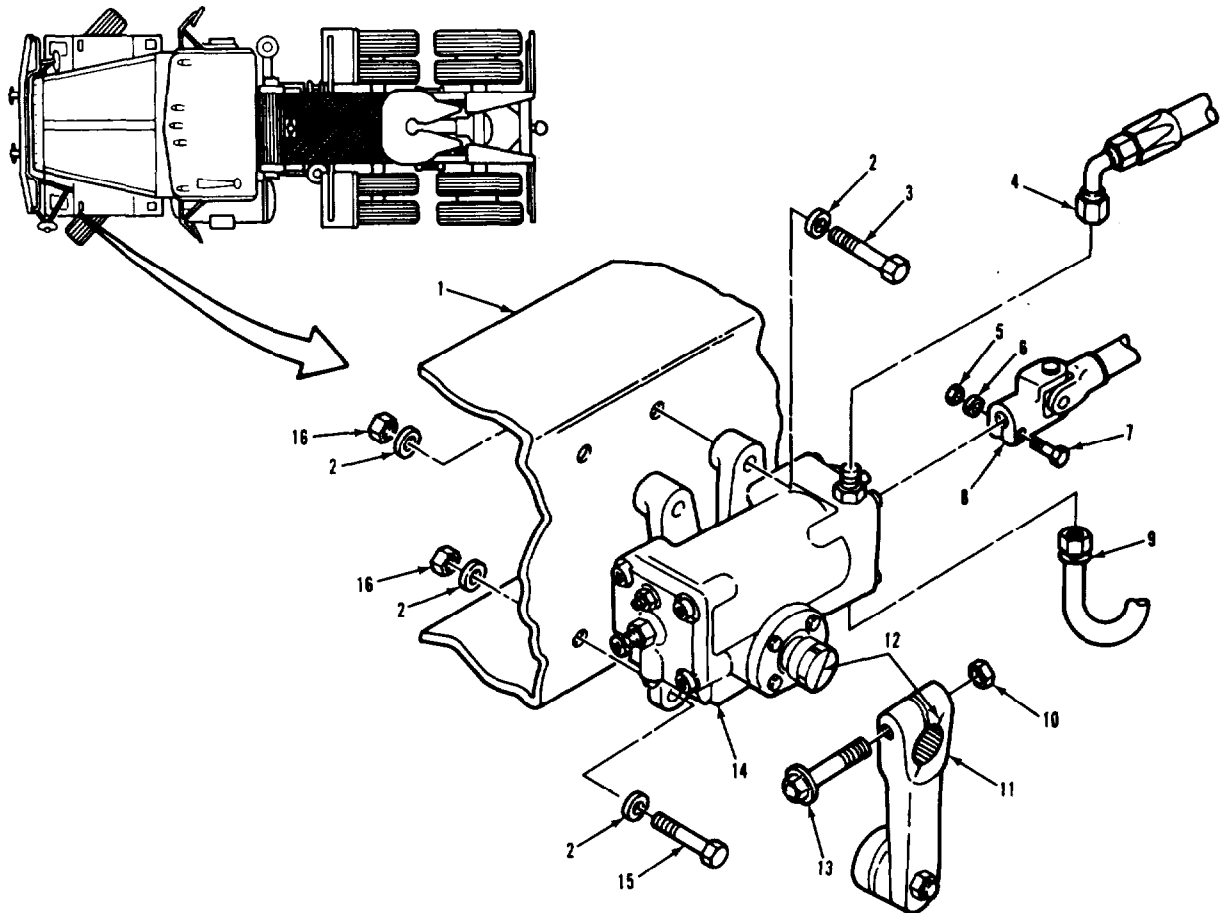
TA 238456

STEERING SYSTEM

3-93. STEERING GEAR REPLACEMENT (Continued).		
LOCATION/ITEM	ACTION	REMARKS
A. REMOVAL (Continued).		
7. Steering ear assembly (14), bolt (3), bolt (15), and two washers (2).	Remove from item (1).	Have assistant help remove item (14).
8. Steering gear assembly (14).	Drain out remaining steering fluid into suitable container.	Do this step only when repairing item (14).
B. CLEANING AND INSPECTION.		
9. All parts.	Clean.	Refer to paragraph 3-4, Clean outside of item (14) only.
10. All parts.	Inspect.	Refer to paragraph 3-5. If item (14) is damaged, refer to paragraph 3-93 for replacement procedure.
C. INSTALLATION.		
WARNING		
Steering gear assembly is heavy. To avoid injury, be very careful and have assistant help when installing steering gear assembly.		
11. Two bolts (3) and washers (2).	Install into top mounting holes of Item (14) and hold in place.	
12. Steering gear assembly (14), with two bolts (3), bolt (15), and two washers (2).	Install item (14) onto item (1) and push item (3) into upper holes in Item (1).	Have assistant help install item (14) and hold in place while doing next step.

STEERING SYSTEM

3-93. STEERING GEAR REPLACEMENT (Continued).



LEGEND:

- | | |
|---|---------------------------------|
| 1. FRAME FRONT SUPPORT BRACKET ASSEMBLY | 9. GEAR TO COOLER TUBE ASSEMBLY |
| 2. PLAIN WASHER (8) | 10. NUT |
| 3. HEXAGON HEAD BOLT (3) | 11. STEERING ARM |
| 4. SUPPLY HOSE ASSEMBLY | 12. ALINEMENT MARK (2) |
| 5. HEXAGON NUT | 13. FLANGE HEAD BOLT |
| 6. LOCKWASHER | 14. STEERING GEAR ASSEMBLY |
| 7. CAPSCREW | 15. HEXAGON HEAD BOLT |
| 8. YOKE | 16. PREVAILING TORQUE NUT (4) |

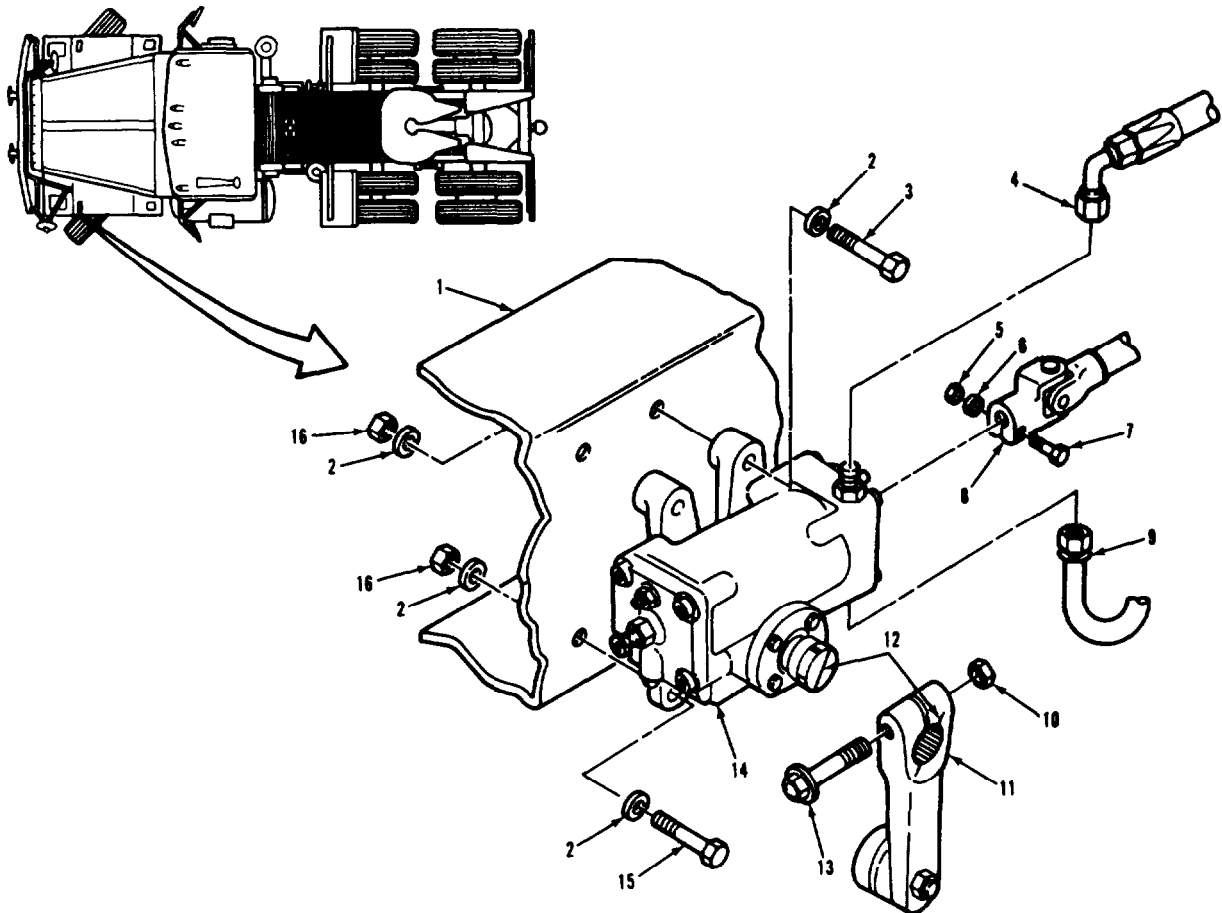
TA 238459

STEERING SYSTEM

3-93. STEERING GEAR REPLACEMENT (Continued).		
LOCATION/ ITEM	ACTION	REMARKS
C. INSTALLATION (Continued).		
13. Two nuts (16) and washers (2).	Install on items (3).	Screw in until snug, but do not tighten. Assistant is no longer needed after this step.
14. Two bolts (3) and (15), washers (2), and nuts (16).	Install into items (14) and (1).	Torque all four items (16) to 260-280 lb-ft.
15. Yoke (8).	Install onto shaft on end of item (14).	
16. Capscrew (7), lockwasher (6), and nut (5).	Install into item (8).	Torque item (5) to 35 lb-ft.
17. Arm (11).	<ul style="list-style-type: none"> a. Drive a wedge into slot to open it up slightly. b. Rotate item (8) until alinement marks (12) on item (11) and shaft of item (14) line up. c. Using a soft faced hammer, tap item (11) onto shaft of item (14). d. When item (11) has been properly installed, remove wedge. 	
18. Bolt (13) and nut (10).	Install into item (11).	Torque item (10) to 380-420 lb-ft.
NOTE		
<p>Follow-on maintenance action required: Fill and bleed steering system (TM 9-2320-283-20). If steering gear is new or repaired, adjust poppet valves (para 3-92).</p>		

STEERING SYSTEM

3-93. STEERING GEAR REPLACEMENT (Continued).



LEGEND:

- | | |
|---|---------------------------------|
| 1. FRAME FRONT SUPPORT BRACKET ASSEMBLY | 9. GEAR TO COOLER TUBE ASSEMBLY |
| 2. PLAIN WASHER (8) | 10. NUT |
| 3. HEXAGON HEAD BOLT (3) | 11. STEERING ARM |
| 4. SUPPLY HOSE ASSEMBLY | 12. ALINEMENT MARK (2) |
| 5. HEXAGON NUT | 13. FLANGE HEAD BOLT |
| 6. LOCKWASHER | 14. STEERING GEAR ASSEMBLY |
| 7. CAPSCREW | 15. HEXAGON HEAD BOLT |
| 8. YOKE | 16. PREVAILING TORQUE NUT (4) |

TA 238460

STEERING SYSTEM

3-94. STEERING PUMP AND RESERVOIR REPAIR.

THIS TASK COVERS

- a. Disassembly.
- b. Cleaning and Inspection.
- c. Assembly.

INITIAL SETUP

APPLICABLE CONFIGURATIONS

ALL.

EQUIPMENT CONDITION
PARAGRAPH

TM 9-2320-283-20.

CONDITION DESCRIPTION

Steering pump and
reservoir removed.

TEST EQUIPMENT

SPECIAL TOOLS

None.

MATERIALS/PARTS (P/N)

Grease, automotive and artillery
Item 7, Appendix B.
Seal washer (4)
(19954) ER-93765.
Gasket
(19954) ER-82141.
Filter
(19954) ER-93983.

PERSONNEL REQUIRED

One (MOS-63W).

SPECIAL ENVIRONMENTAL CONDITIONS

Work area clean and away from blowing
dirt and dust.

REFERENCES (TM)

TM 9-2320-283-20.
TM 9-2320-283-34P.

GENERAL SAFETY INSTRUCTIONS

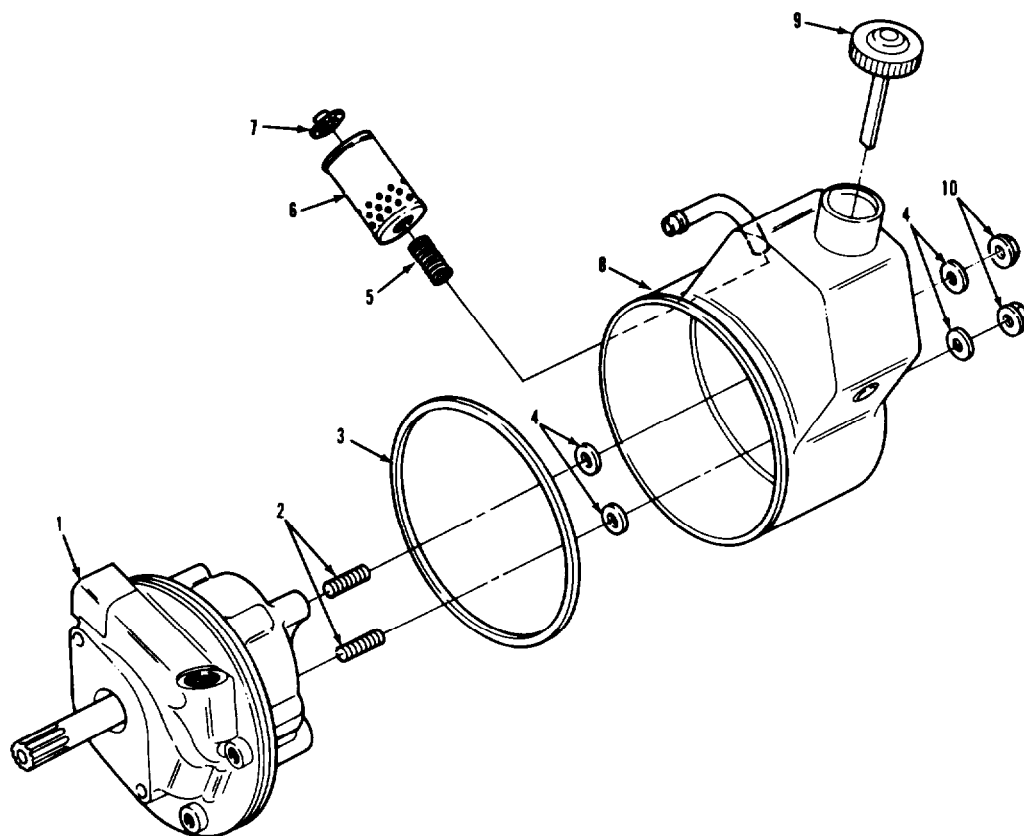
None.

TROUBLESHOOTING REFERENCES

None.

STEERING SYSTEM

3-94. STEERING PUMP AND RESERVOIR REPAIR (Continued).



LEGEND:

- 1. BASE PUMP ASSEMBLY
- 2. RESERVOIR STUD (2)
- 3. GASKET
- 4. SEAL WASHER (4)
- 5. FILTER SPRING

- 6. FILTER
- 7. CUP AND SPACER
- 8. RESERVOIR
- 9. FILLER CAP
- 10. HEXAGON FLANGE NUT

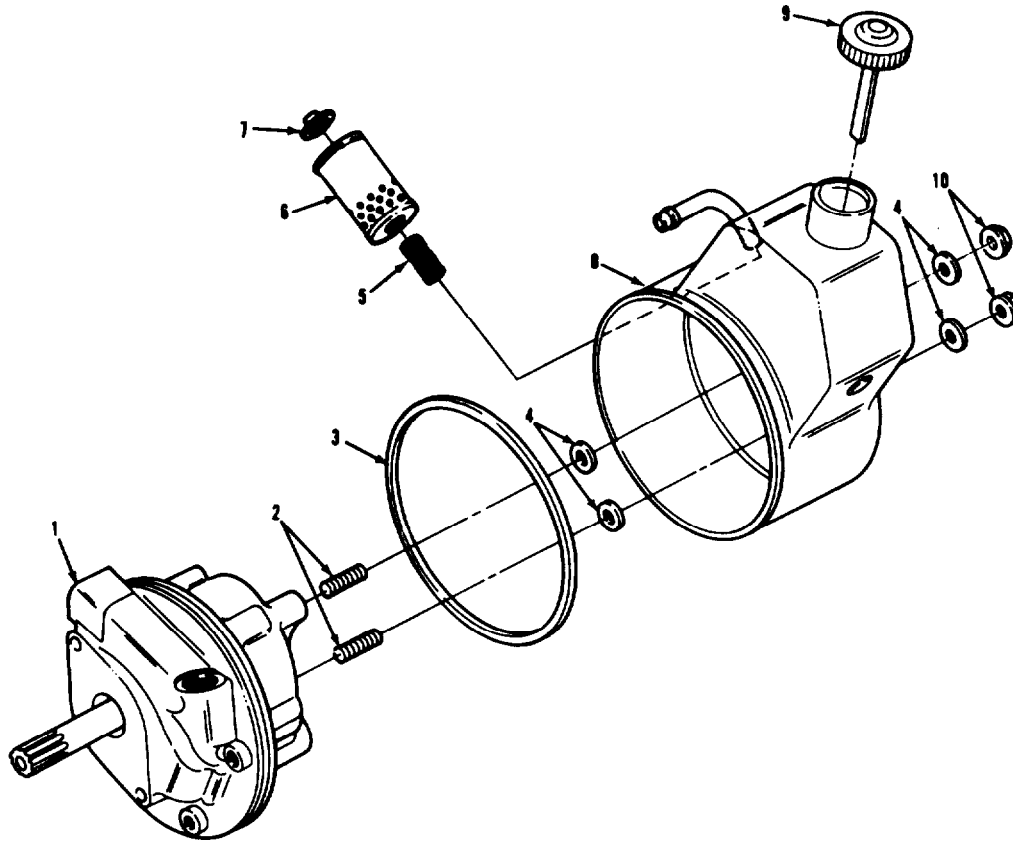
TA 238461

STEERING SYSTEM

3-94. STEERING PUMP AND RESERVOIR REPAIR (Continued).		
LOCATION/ITEM	ACTION	REMARKS
A. DISASSEMBLY.		
NOTE		
Before disassembling steering pump and reservoir, make sure external surfaces are clean.		
1. Cap (9).	Remove from item (8).	
2. Reservoir (8).	Drain any remaining oil into suitable container.	
<u>CAUTION</u>		
To avoid damage to pump and reservoir, do not clamp in a vise.		
3. Two nuts (10) and washers (4).	Remove from two items (2) and item (8).	Discard items (4).
<u>CAUTION</u>		
To avoid damage to reservoir, do not pry it off of pump.		
4. Reservoir (8).	a. Note position of item (1). b. Carefully remove from item (1) by gently tapping side with soft-faced hammer or mallet.	Mark item (1) and (8) for proper alignment during reassembly. Have suitable container ready to catch oil when item (8) is removed.

STEERING SYSTEM

3-94. STEERING PUMP AND RESERVOIR REPAIR (Continued).



LEGEND:

- 1. BASE PUMP ASSEMBLY
- 2. RESERVOIR STUD (2)
- 3. GASKET
- 4. SEAL WASHER (4)
- 5. FILTER SPRING

- 6. FILTER
- 7. CUP AND SPACER
- 8. RESERVOIR
- 9. FILLER CAP
- 10. HEXAGON FLANGE NUT

TA 23846

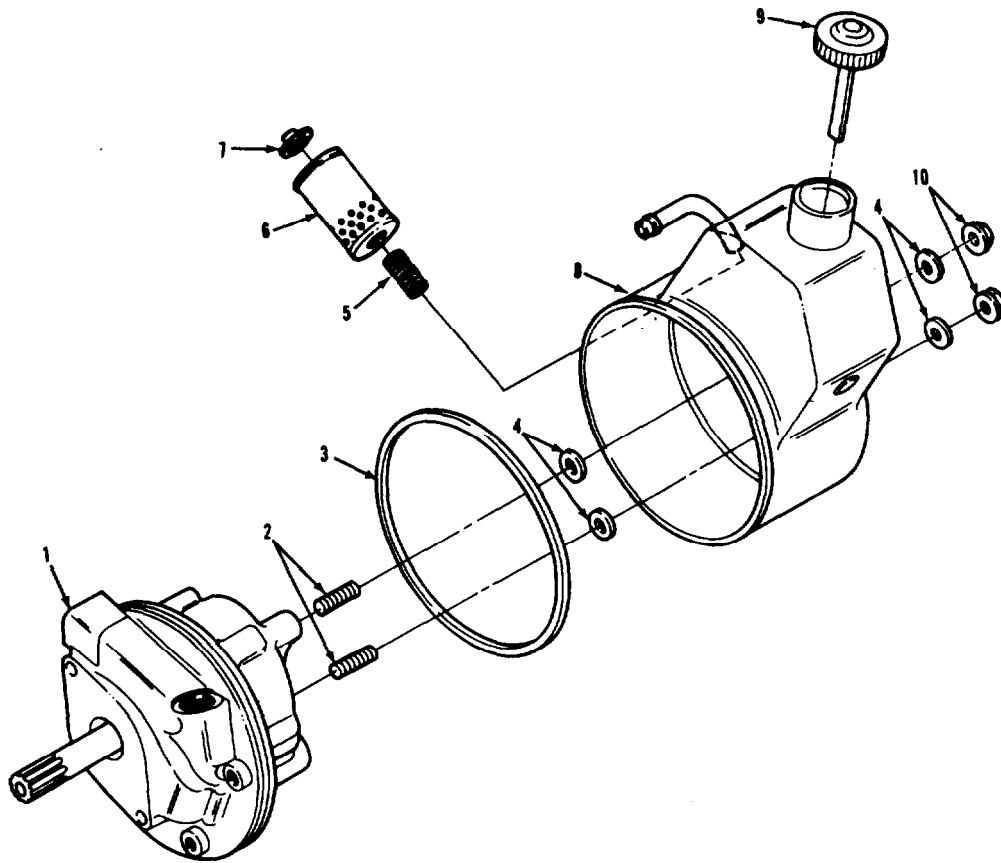
STEERING SYSTEM

3-94. STEERING PUMP AND RESERVOIR REPAIR (Continued).

LOCATION/ITEM	ACTION	REMARKS
A. DISASSEMBLY (Continued).		
5. Gasket (3) and two washers (4).	Remove from item (1) or item (8).	Discard items (3) and (4).
6. Two studs (2).	Remove from item (1).	Remove items (2) only if damaged.
7. Spring (5).	Using screwdriver, pry out from items (6) and (8).	
8. Filter (6) and cup and spacer (7).	Remove from item (8).	Discard item (6).
B. CLEANING AND INSPECTION.		
9. All parts.	Clean and inspect.	Refer to paragraphs 3-4 and 3-5. Clean outside only of item (1).
C. ASSEMBLY.		
NOTE		
Before assembling pump and reservoir, make sure all parts are clean.		
10. New filter (6) and cup and spacer (7).	a. Place item (7) on open end of item (6). b. Install items (6) and (7) into item (8).	Make sure item (7) fits over end of item (11) on the inside of item (8).
11. Spring (5).	Install into closed end of item (6) and push items (5) and (6) into position in item (8).	

STEERING SYSTEM

3-94. STEERING PUMP AND RESERVOIR REPAIR (Continued).



LEGEND:

- | | |
|-----------------------|------------------------|
| 1. BASE PUMP ASSEMBLY | 6. FILTER |
| 2. RESERVOIR STUD (2) | 7. CUP AND SPACER |
| 3. GASKET | 8. RESERVOIR |
| 4. SEAL WASHER (4) | 9. FILLER CAP |
| 5. FILTER SPRING | 10. HEXAGON FLANGE NUT |

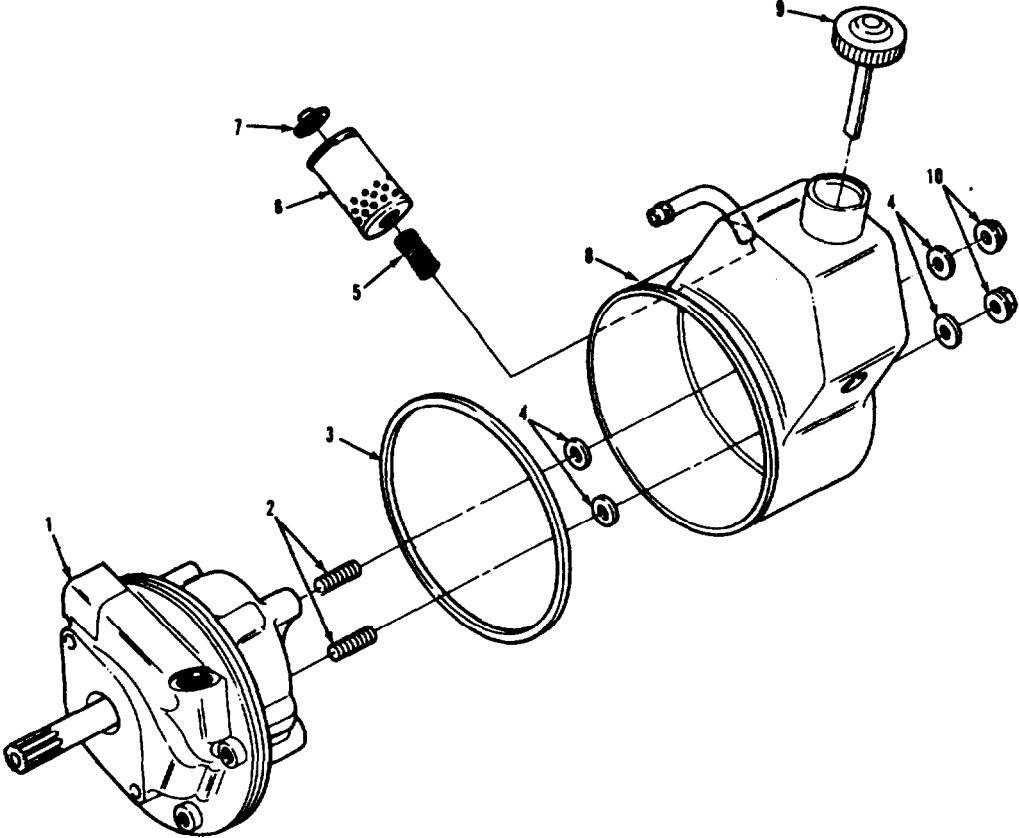
TA 238463

STEERING SYSTEM

3-94. STEERING PUMP AND RESERVOIR REPAIR (Continued).		
LOCATION/ITEM	ACTION	REMARKS
C. ASSEMBLY (Continued).		
12. Two studs (2).	Install into item (1).	If removed during step 6.
13. New gasket (3).	a. Install on item (1) with color side facing out. b. Coat with a small amount of clean grease.	This is done to hold item (3) in place during assembly of items (1) and (8).
14. Two new washers (4).	Place on two items (2).	
15. Reservoir (8).	Carefully aline and place on item (1).	Some tapping with a soft-faced hammer or mallet may be necessary to position reservoir properly.
16. Two nuts (10) and two new washers (4).	Screw onto two items (2).	Torque items (10) to 20-30 lb-ft.
17. Cap (9).	Install into item (8).	
NOTE		
Follow-on maintenance action required:		
Install steering pump and reservoir (TM 9-2320-283-20).		
Fill and bleed steering system (TM 9-2320-283-20).		
Check steering pun operation (TM 9-2320-283-20).		

STEERING SYSTEM

3-94. STEERING PUMP AND RESERVOIR REPAIR (Continued).



LEGEND:

- 1. BASE PUMP ASSEMBLY
- 2. RESERVOIR STUD (2)
- 3. GASKET
- 4. SEAL WASHER (4)
- 5. FILTER SPRING
- 6. FILTER
- 7. CUP AND SPACER
- 8. RESERVOIR
- 9. FILLER CAP
- 10. HEXAGON FLANGE NUT

TA 238464

Section XII. FRAME AND TOWING ATTACHMENTS

3-95 GENERAL.

This section provides procedures authorized at direct and general support maintenance levels to replace and repair frame and towing attachment components. Frame rails and crossmembers are not covered in this manual. Refer to TB 9-2300-247-40 for frame rail and crossmember maintenance and repair. Simplified maintenance procedures should be locally devised depending on environmental conditions and geographical location.

3-96. TASK SUMMARY,	
<u>INITIAL SETUP</u>	
<u>APPLICABLE CONFIGURATIONS</u>	<u>EQUIPMENT CONDITION</u>
All.	<u>PARAGRAPH</u> <u>CONDITION DESCRIPTION</u> (Refer to specific paragraph for this information).
<u>TEST EQUIPMENT</u>	
None.	
<u>SPECIAL TOOLS</u>	
Slider spring compressor (74410) TLN-2500.	
<u>MATERIALS/PARTS (P/N)</u>	
Grease, automotive and artillery Item 7, Appendix B. Cotter pin (2) (77410) XB-16. Cotter pin (2) (77410) XB-5. Lock kit (for replacement of lock only) (74410) 63503. Fifth wheel rebuild kit (for complete rebuild only) (77410) 63506.	
<u>PERSONNEL REQUIRED</u>	<u>SPECIAL ENVIRONMENTAL CONDITIONS</u>
One (MOS-63W).	Work area clean and away from blowing dirt and dust.

FRAME AND TOWING ATTACHMENTS.

3-96. TASK SUMMARY (Continued).

INITIAL SETUP

REFERENCES (TM)

TM 9-2320-283-20
 TM 9-2320-283-34;
 LO 9-2320-283-12.

GENERAL SAFETY INSTRUCTIONS

Fifth wheel assembly is very heavy. To avoid personal injury, use suitable lifting device and be careful when repairing fifth wheel.

TROUBLESHOOTING REFERENCES

None.

LIST OF TASKS

TASK NO.	TASK	TASK REF	TROUBLESHOOTING REF NO. (PARA)
	Fifth Wheel Repair	3-97	
	a. Disassembly.	3-97a	
	b. Cleaning and Inspection.	3-97b	
	c. Assembly.	3-97c	

FRAME AND TOWING ATTACHMENTS.

3-97. FIFTH WHEEL REPAIR.

THIS TASK COVERS

- a. Disassembly.
- b. Cleaning and Inspection.
- c. Assembly.

INITIAL SETUP

APPLICABLE CONFIGURATIONS
ALL.

EQUIPMENT CONDITION
PARAGRAPH
TM 9-2320-283920.

CONDITION DESCRIPTION
Fifth wheel removed.

TEST EQUIPMENT

SPECIAL TOOLS
Slider spring compressor
(74410) TLN-2500.

MATERIALS/PARTS (P/N)

Grease, automotive and artillery
Item 7, Appendix B.
Cotter pin (2)
(74410) XB-16.
Cotter pin (2)
(74410) XB-5.
Lock kit (for replacement of lock only)
(74410) 63503.
Fifth wheel rebuild kit (for complete rebuild only)
(74410) 63506.

PERSONNEL REQUIRED

Two (MOS-63W).

SPECIAL ENVIRONMENTAL CONDITIONS

Work area clean and away from blowing dirt and dust.

REFERENCES (TM)

TM 9-2320-283-20.
TM 9-2320-283-34P.
LO 9-2320-283-12.
TB 9-237.

GENERAL SAFETY INSTRUCTIONS

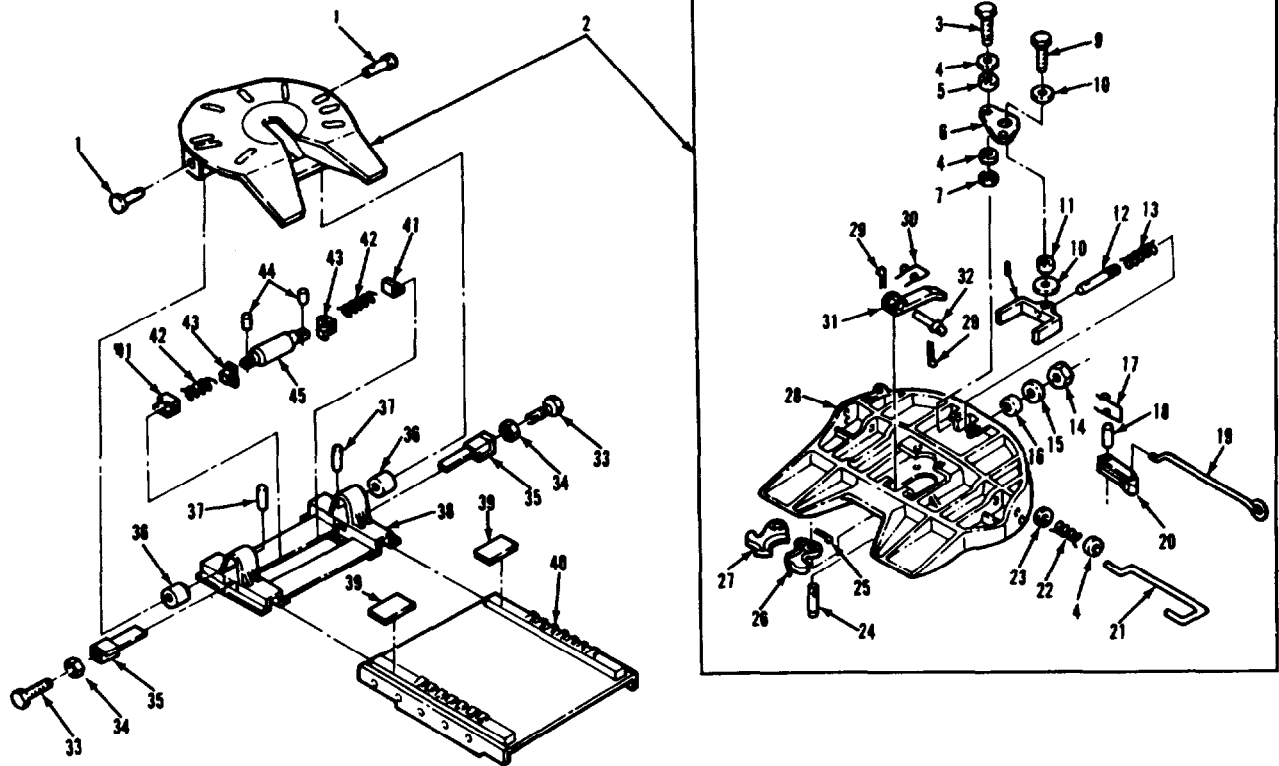
Fifth wheel assembly is very heavy.
To avoid personal injury, use suitable lifting device and be careful when repairing fifth wheel.

TROUBLESHOOTING REFERENCES

Paragraph 2-7.

FRAME AND TOWING ATTACHMENTS.

3-97. FIFTH WHEEL REPAIR (Continued).



LEGEND:

- | | | |
|-------------------------|---------------------------|-------------------------|
| 1. BRACKET PIN (2) | 16. RUBBER BLOCK | 31. LOCK GUARD |
| 2. FIFTH WHEEL ASSEMBLY | 17. SPRING | 32. PIN |
| 3. HEXAGON HEAD SCREW | 18. ROLLED PIN | 33. ADJUSTING SCREW (2) |
| 4. WASHER (3) | 19. SECONDARY LOCK HANDLE | 34. NUT (2) |
| 5. ROLLER | 20. SECONDARY LOCK | 35. PLUNGER (2) |
| 6. CAM PLATE | 21. RELEASE HANDLE | 36. RUBBER CUSHION (2) |
| 7. HEXAGON HEAD NUT | 22. SPRING | 37. ROLLED PIN (2) |
| 8. YOKE | 23. WASHER | 38. SLIDE BRACKET |
| 9. HEXAGON HEAD SCREW | 24. LOCK PIN (2) | 39. STOP (2) |
| 10. WASHER (2) | 25. COTTER PIN (2) | 40. BASE PLATE ASSEMBLY |
| 11. ROLLER | 26. LEFT-HAND LOCKJAW | 41. SPRING STOP (2) |
| 12. YOKE SHANK | 27. RIGHT-HAND LOCKJAW | 42. SPRING (2) |
| 13. YOKE SPRING | 28. FIFTH WHEEL PLATE | 43. SPRING RETAINER (2) |
| 14. HEXAGON HEAD NUT | 29. COTTER PIN (2) | 44. PIN (2) |
| 15. WASHER | 30. TORSION SPRING | 45. AIR CYLINDER |

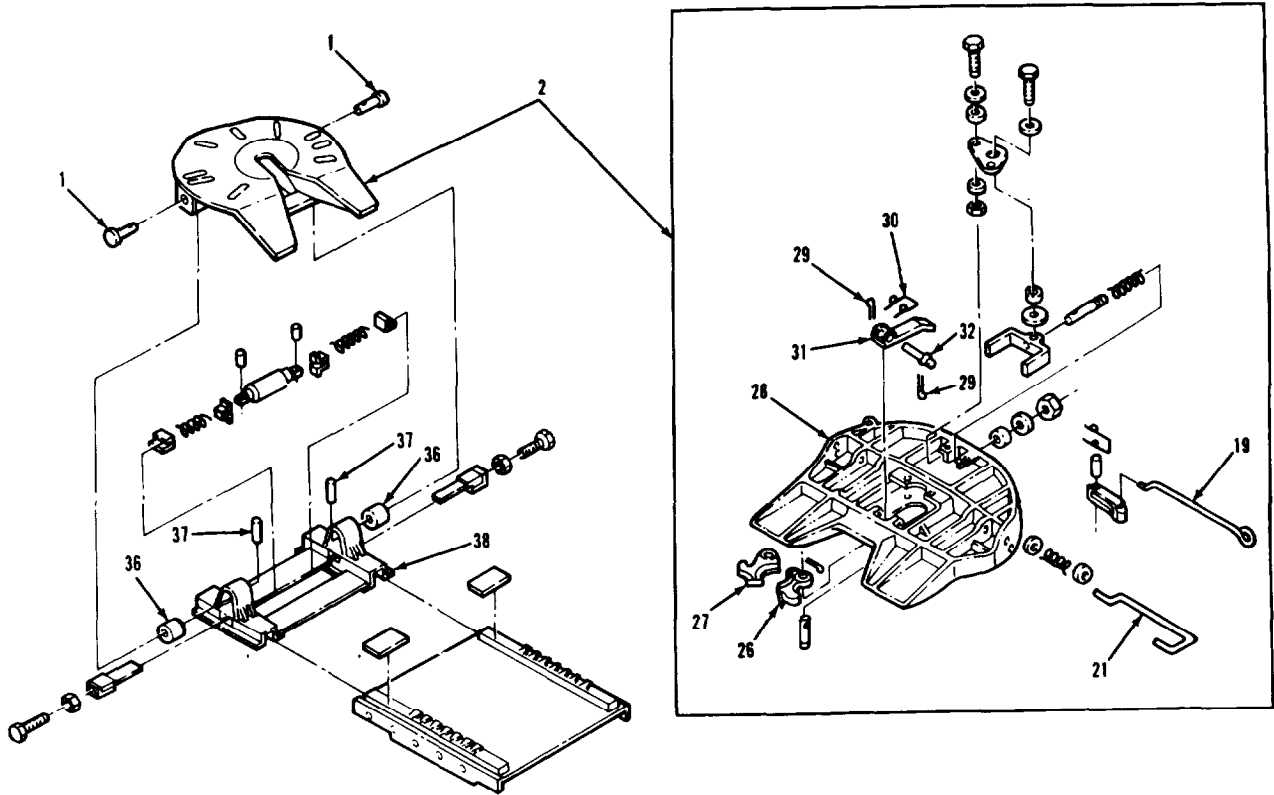
TA 238465

FRAME AND TOWING ATTACHMENTS.

3-97. FIFTH WHEEL REPAIR (Continued).		
LOCATION/ITEM	ACTION	REMARKS
A. DISASSEMBLY.		
1. Fifth wheel assembly (2).	Clean off all grease.	
<u>CAUTION</u>		
Secure fifth wheel in up position prior to removing two pins.		
2. Two pins (37).	Remove from two items (1).	
3. Fifth wheel assembly (2).	Support weight with suitable chain and hoist.	
4. Two pins (1).	Remove from items (2) and (36).	
5. Fifth wheel assembly (2).	a. Using hoist, lift off of item (38). b. Turn upside down and set on wood blocks. c. Clean off all grease from underside.	
6. Two handles (19) and (21)	a. Pull out item (19) until it catches on item (28). b. Pull out item (21) until items (26) and (27) are locked in open position.	
7. Two pins (29).	Remove from item (32).	Discard two items (29).
8. Pin (32), spring (30), and guard (31) 1	Remove from item (28).	

FRAME AND TOWING ATTACHMENTS.

3-97. FIFTH WHEEL REPAIR (Continued).



LEGEND:

- | | |
|---------------------------|------------------------|
| 1. BRACKET PIN (2) | 29. COTTER PIN (2) |
| 2. FIFTH WHEEL ASSEMBLY | 30. TORSION SPRING |
| 19. SECONDARY LOCK HANDLE | 31. LOCK GUARD |
| 21. RELEASE HANDLE | 32. PIN |
| 26. LEFT-HAND LOCKJAW | 36. RUBBER CUSHION (2) |
| 27. RIGHT-HAND LOCKJAW | 37. ROLLED PIN (2) |
| 28. FIFTH WHEEL PLATE | 38. SLIDE BRACKET |

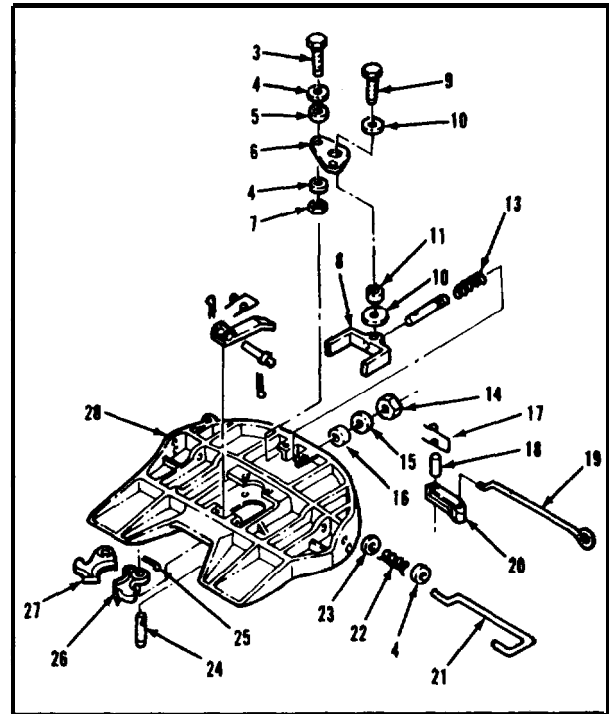
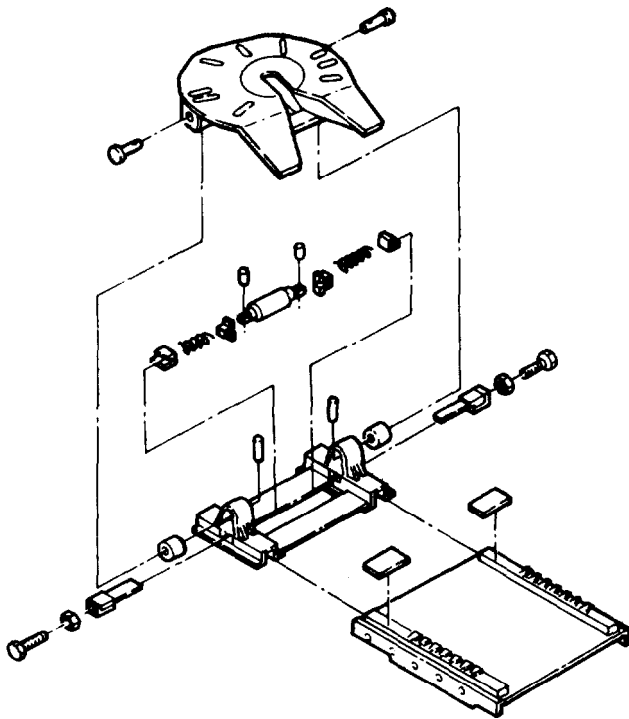
TA 238466

FRAME AND TOWING ATTACHMENTS.

3-97. FIFTH WHEEL REPAIR (Continued).		
LOCATION/ITEM	ACTION	REMARKS
A. DISASSEMBLY (Continued).		
9. Two lockjaws (26) and (27).	<p>a. Place crowbar against item (27) and hit crowbar sharply with ball peen hammer to lock item (27).</p> <p>b. Repeat step 9a for item (26).</p>	
10. Handle (19).	Pull out and release.	
11. Pin (18).	Remove from items (17), (20), and (28).	
12. Spring (17), lock (20), and handle (19).	<p>a. Remove from item (28).</p> <p>b. Remove item (20) from item (19).</p>	
13. Two pins (25).	Remove from two items (24).	Discard items (25).
14. Two pins (24).	Remove from items (26), (27),	It may be necessary to lift item (28) to remove items (24).
15. Two lockjaws (26) and (27).	Remove from item (28).	
16. Nut (14), washer (15), and block (16)	Remove from item (12).	This step is done to relieve tension of item (13).
17. Screw (9), two washers (10), and roller (11).	Remove from items (6) and (8).	
18. Screw (3), two washers (4), roller (5), plate (6), and nut (7).	Remove from items (28) and (21).	

FRAME AND TOWING ATTACHMENTS.

3-97. FIFTH WHEEL REPAIR (Continued).



LEGEND:

- | | |
|-----------------------|---------------------------|
| 3. HEXAGON HEAD SCREW | 17. SPRING |
| 4. WASHER (3) | 18. ROLLED PIN |
| 5. ROLLER | 19. SECONDARY LOCK HANDLE |
| 6. CAM PLATE | 20. SECONDARY LOCK |
| 7. HEXAGON HEAD NUT | 21. RELEASE HANDLE |
| 8. YOKE | 22. SPRING |
| 9. HEXAGON HEAD SCREW | 23. WASHER |
| 10. WASHER (2) | 24. LOCK PIN (2) |
| 11. ROLLER | 25. COTTER PIN (2) |
| 13. YOKE SPRING | 26. LEFT-HAND LOCKJAW |
| 14. HEXAGON HEAD NUT | 27. RIGHT-HAND LOCKJAW |
| 15. WASHER | 28. FIFTH WHEEL PLATE |
| 16. RUBBER BLOCK | |

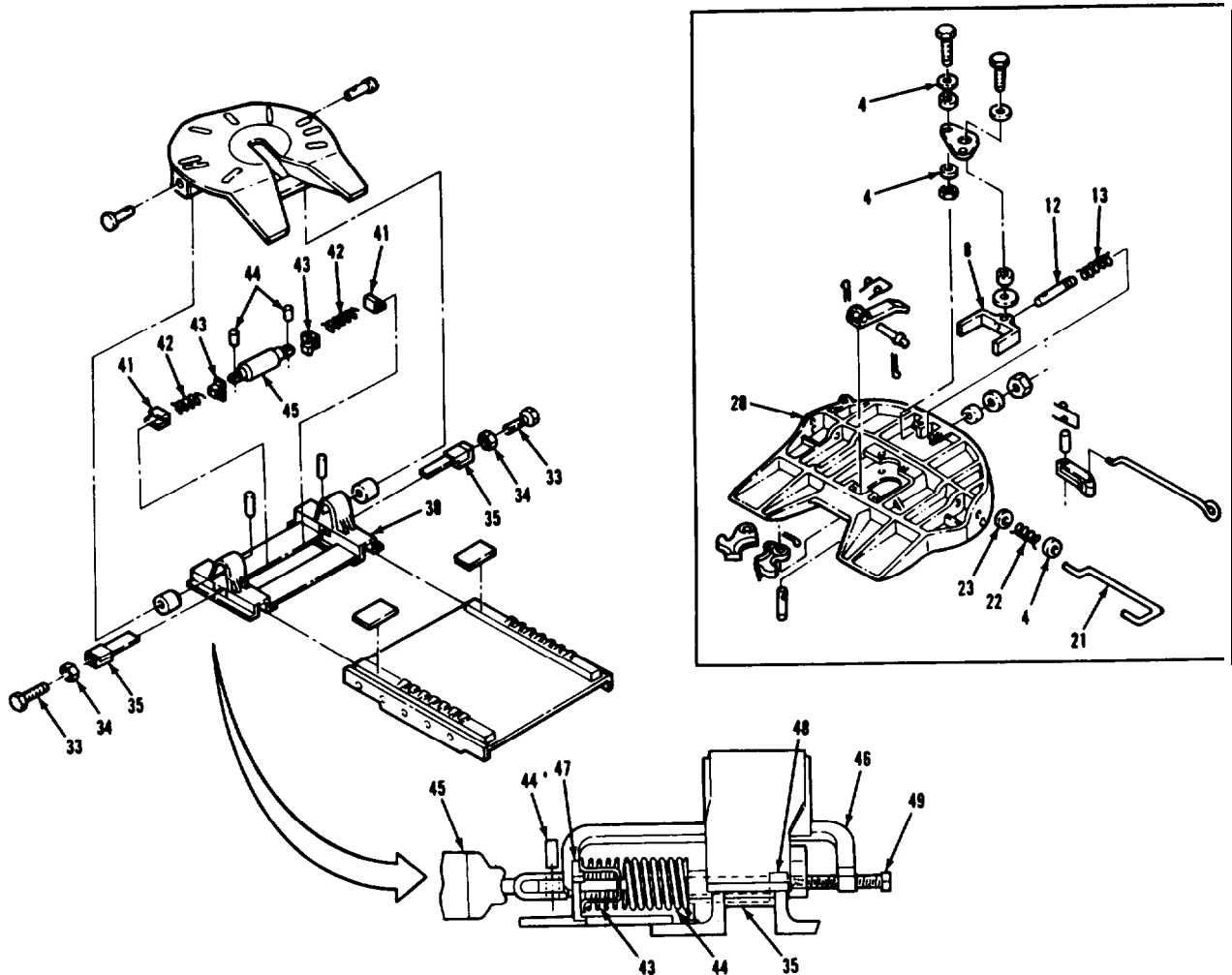
TA 238467

FRAME AND TOWING ATTACHMENTS.

3-97. FIFTH WHEEL REPAIR (Continued).		
LOCATION/ITEM	ACTION	REMARKS
A. DISASSEMBLY (Continued).		
19. Handle (21) (with washer (4), spring (22), and washer (23) (attached).	Remove from item (28).	
20. Washer (4), spring (22). and washer (23).	Remove from item (21).	
21. Shank (12), spring (13), and yoke (8).	Remove from item (28).	
22. Air line and fittings.	Remove.	Refer to TM 9-2320-283-20.
23. Screw (33) and nut Text	Remove from item (35).	
24. Compressor (46).	<ul style="list-style-type: none"> a. Install item (47) over item (43) and item (48) onto item (35) (see illustration). b. Screw in item (49) until item (44) can be removed. c. Remove item (44) from items (45) and (35). d. Unscrew item (49) until tension is relieved from item (42). e. Remove item (46). 	Wear safety goggles when using item (46). Use tool No. TLN-2500.
25. Plunger (35), stop (41), spring (42), and retainer (43).	Remove from items (38) and (45).	Repeat steps 23 thru 25 for other side of item (38) .
26. Cylinder (45).	Remove from item (38).	

FRAME AND TOWING ATTACHMENTS.

3-97. FIFTH WHEEL REPAIR (Continued).



LEGEND:

- | | |
|-------------------------|------------------------------|
| 4. WASHER (3) | 38. SLIDE BRACKET |
| 8. YOKE | 41. SPRING STOP (2) |
| 12. YOKE SHANK | 42. SPRING (2) |
| 13. YOKE SPRING | 43. SPRING RETAINER (2) |
| 21. RELEASE HANDLE | 44. PIN (2) |
| 22. SPRING | 45. AIR CYLINDER |
| 23. WASHER | 46. SLIDER SPRING COMPRESSOR |
| 28. FIFTH WHEEL PLATE | 47. HOOKED END |
| 33. ADJUSTING SCREW (2) | 48. PIVOT BLOCK |
| 34. NUT (2) | 49. COMPRESSING SCREW |
| 35. PLUNGER (2) | |

TA 238468

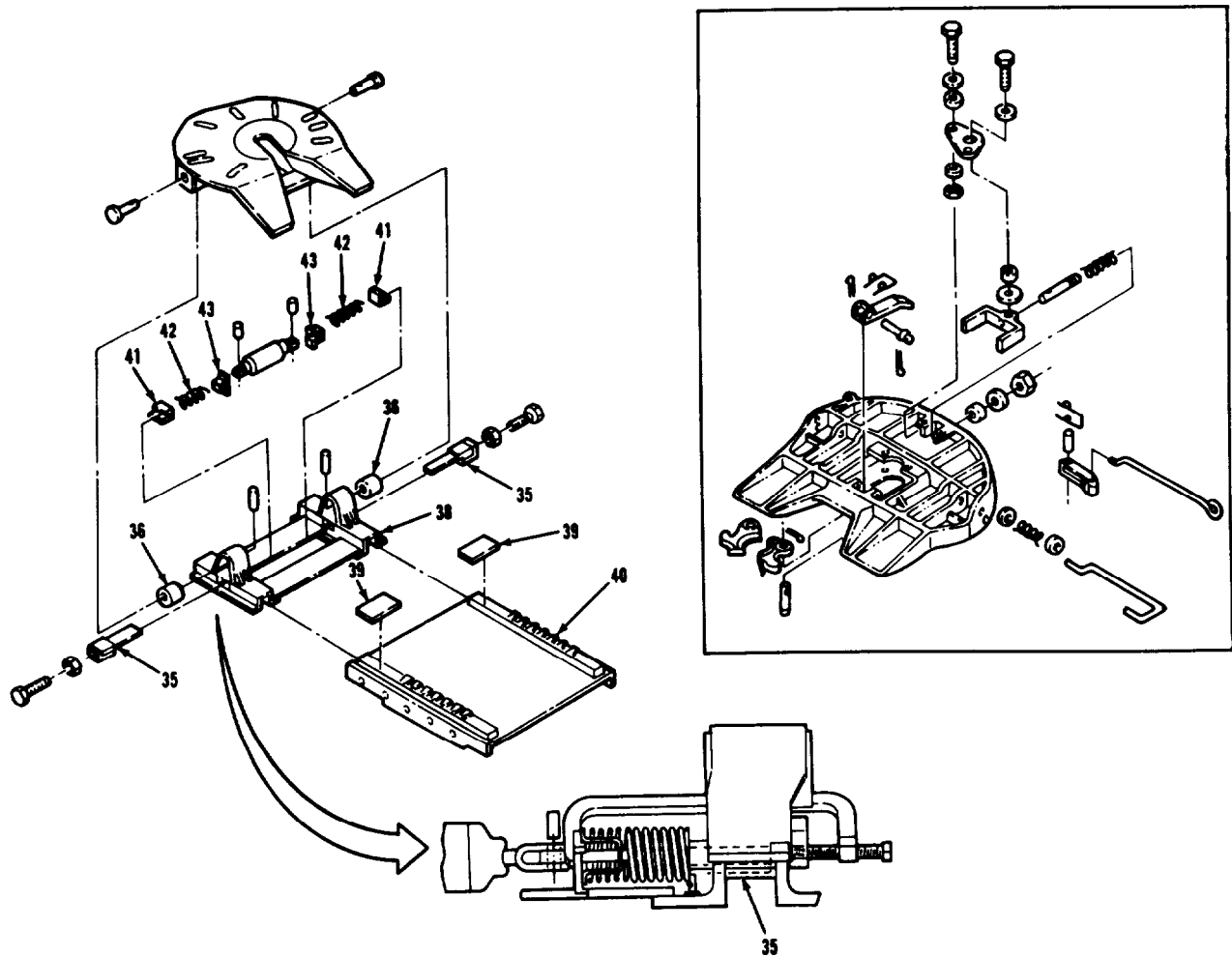
FRAME AND TOWING ATTACHMENTS.

3-97. FIFTH WHEEL REPAIR (Continued).

LOCATION/ITEM	ACTION	REMARKS
B. CLEANING AND INSPECTION.		
<u>WARNING</u>		
To avoid injury during operation, do not repair fifth wheel plate if cracked or bent, or if lock pins do not fit tightly.		
27. All parts.	Clean and inspect.	Refer to paragraph 3-4 Text If fifth wheel is being rebuilt, replace all cotter pins, springs, nuts, bolts, and washers.
28. Two cushions (36).	Inspect for wear and damage.	Press out of item (38) if worn or damaged. Install new item (36) as needed.
29. Bracket (38) and plate (40).	Check sliding ability of item (38) on item (40).	If item (38) does not slide very well on item (40), cut two items (39) off item (40) and discard damaged part(s). Reassemble items (38) and (40), and weld two items (39) on item (40) (see TB 9-237, Welding Theory and Application).
C. ASSEMBLY.		
NOTE		
Lubricate all moving parts with grease as they are assembled.		
30. Plunger (35).	Install into item (38).	Make sure wedge part of item (35) fits onto wedge part of item (40).
31. Stop (41), spring (42), and retainer (43).	Install on item (35).	

FRAME AND TOWING ATTACHMENTS.

3-97. FIFTH WHEEL REPAIR. (Continued).



LEGEND:

- | | |
|------------------------|-------------------------|
| 35. PLUNGER (2) | 40. BASE PLATE ASSEMBLY |
| 36. RUBBER CUSHION (2) | 41. SPRING STOP (2) |
| 38. SLIDE BRACKET | 42. SPRING (2) |
| 39. STOP (2) | 43. SPRING RETAINER (2) |

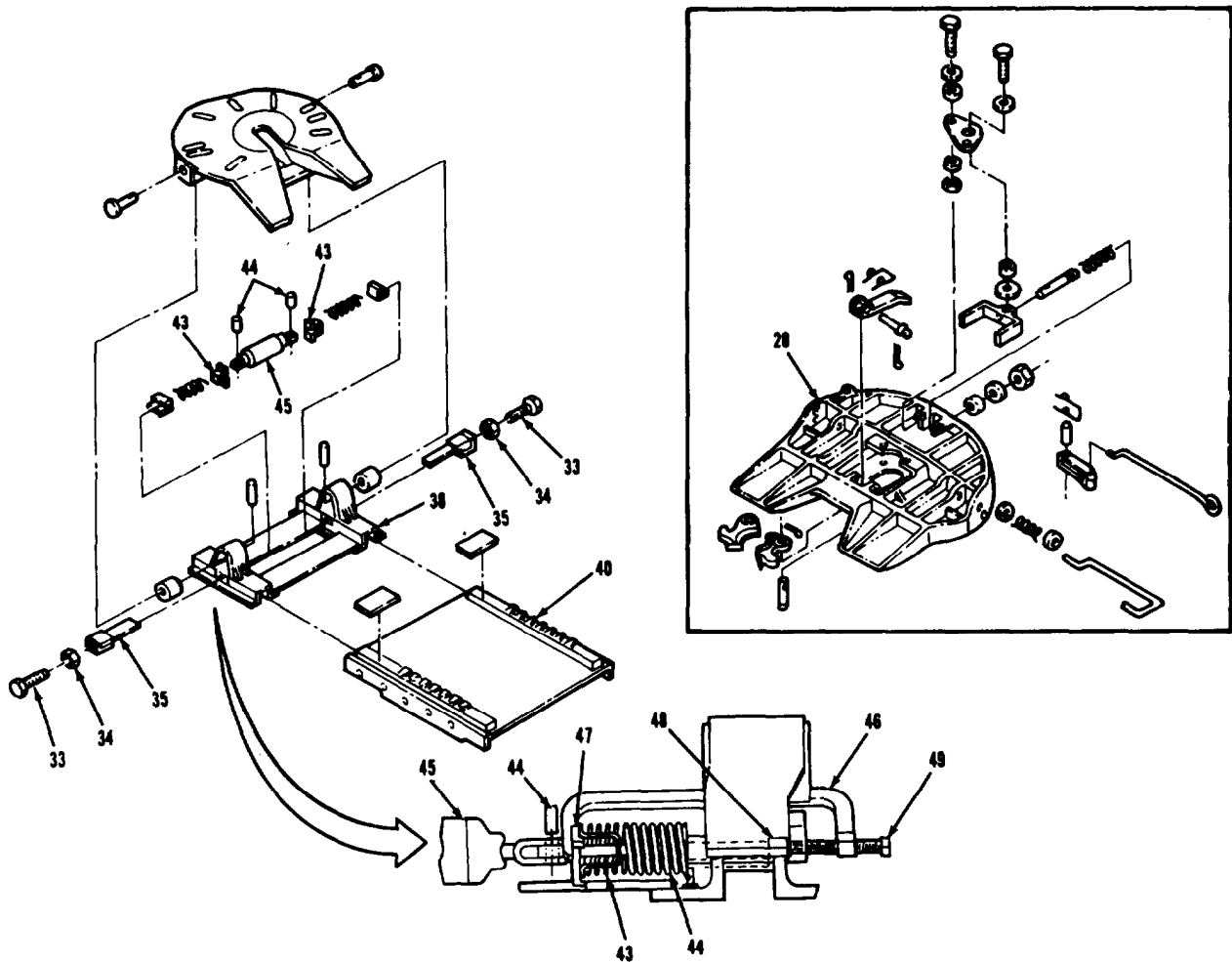
TA 238469

FRAME AND TOWING ATTACHMENTS.

3-97. FIFTH WHEEL REPAIR (Continued).		
LOCATION/ITEM	ACTION	REMARKS
C. ASSEMBLY (Continued).		
32. Compressor (46).	<ul style="list-style-type: none"> a. Install item (47) over item (43), and item (48) onto item (35) (see illustration). b. Screw in Item (49) until item (44) can be installed. 	Wear safety goggles when using item (46).
33. Cylinder (45).	<ul style="list-style-type: none"> a. Install onto item (35). b. Line up holes in yoke of item (45) with hole in item (35). c. Secure with item (44). 	Make sure item (45) is installed so that air fitting hole in it is closest to air fitting hole in item (40).
34. Compressor (46).	Unscrew item (49) and remove from items (35) and (43).	Item (44) should be covered completely by item (43).
35. Nut (34) and screw (33).	<ul style="list-style-type: none"> a. Install item (34) onto item (33). b. Install item (33) into item (35) until end of item (33) bottoms on item (40). c. Hold item (33) and tighten item (34). 	Repeat steps 30, 31, 32, 33 (b and c only), 34, and 35 for other side of item (38).
36. Plate (28).	Turn item (28) right side up.	

FRAME AND TOWING ATTACHMENTS.

3-97. FIFTH WHEEL REPAIR (Continued).



LEGEND:

- | | |
|-------------------------|------------------------------|
| 28. FIFTH WHEEL PLATE | 44. PIN (2) |
| 33. ADJUSTING SCREW (2) | 45. AIR CYLINDER |
| 34. NUT (2) | 46. SLIDER SPRING COMPRESSOR |
| 35. PLUNGER (2) | 47. HOOKED END |
| 38. SLIDE BRACKET | 48. PIVOT BLOCK |
| 40. BASE PLATE ASSEMBLY | 49. COMPRESSING SCREW |
| 43. SPRING RETAINER (2) | |

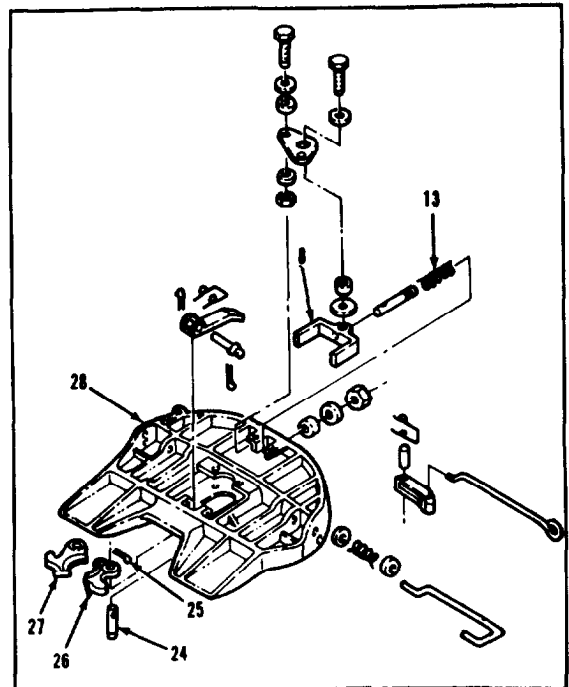
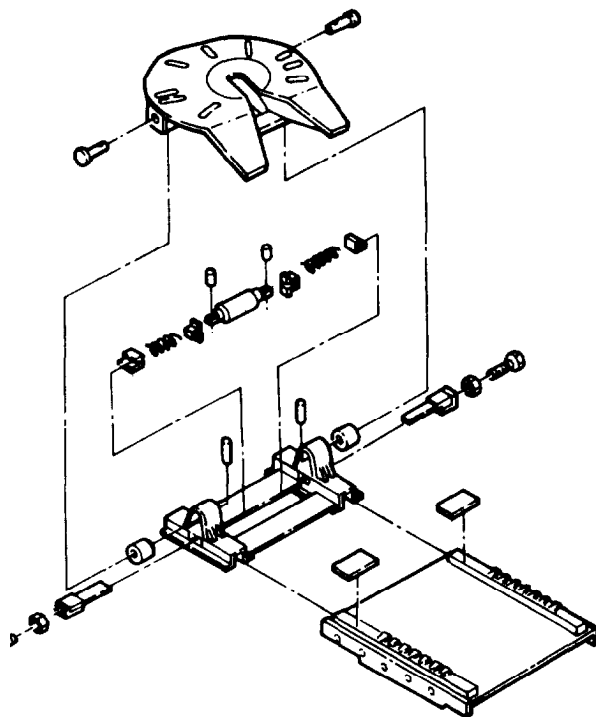
TA 238470

FRAME AND TOWING ATTACHMENTS.

3-97. FIFTH WHEEL REPAIR (Continued).		
LOCATION/ITEM	ACTION	REMARKS
C. ASSEMBLY (Continued).		
37. Two lockjaws (26)	a. Lubricate holes with grease. b. Install into item (28) with recessed diameters facing item (28).	
38. Two pins (24).	Install into items (28), (26), and (27).	Install two items (24) so that alinement of holes in items (24) will not interfere with installation of items (25) 1
39. Two new pins (25).	Turn item (28) upside down and install two items (25) into two items (24).	
40. Two lockjaws (26) and (27)	Open and install a 2-inch pipe in between.	This step is done to help keep items (26) and (27) close to proper adjustment while assembling remaining parts. Final adjustment of items (26) and (27) is done after fifth wheel has been installed on vehicle.
41. Yoke (8).	a. Install into item (28) with hole facing away from item (28). b. Slide a against items (26) and (27)	Open ends of item (8) should fit to the end of items (26) and (27). If not, grind item (8) lightly on outside surfaces only. Do not grind on inside surfaces of item (8) that come in contact with items (26) and (27).
42. Spring (13).	Install onto items (8) and (28) 1	

FRAME AND TOWING ATTACHMENTS.

3-97. FIFTH WHEEL REPAIR (Continued).



LEGEND:

- 8. YOKE
- 13. YOKE SPRING
- 24. LOCK PIN (2)
- 25. COTTER PIN (2)

- 26. LEFT-HAND LOCKJAW
- 27. RIGHT-HAND LOCKJAW
- 28. FIFTH WHEEL PLATE

TA 238471

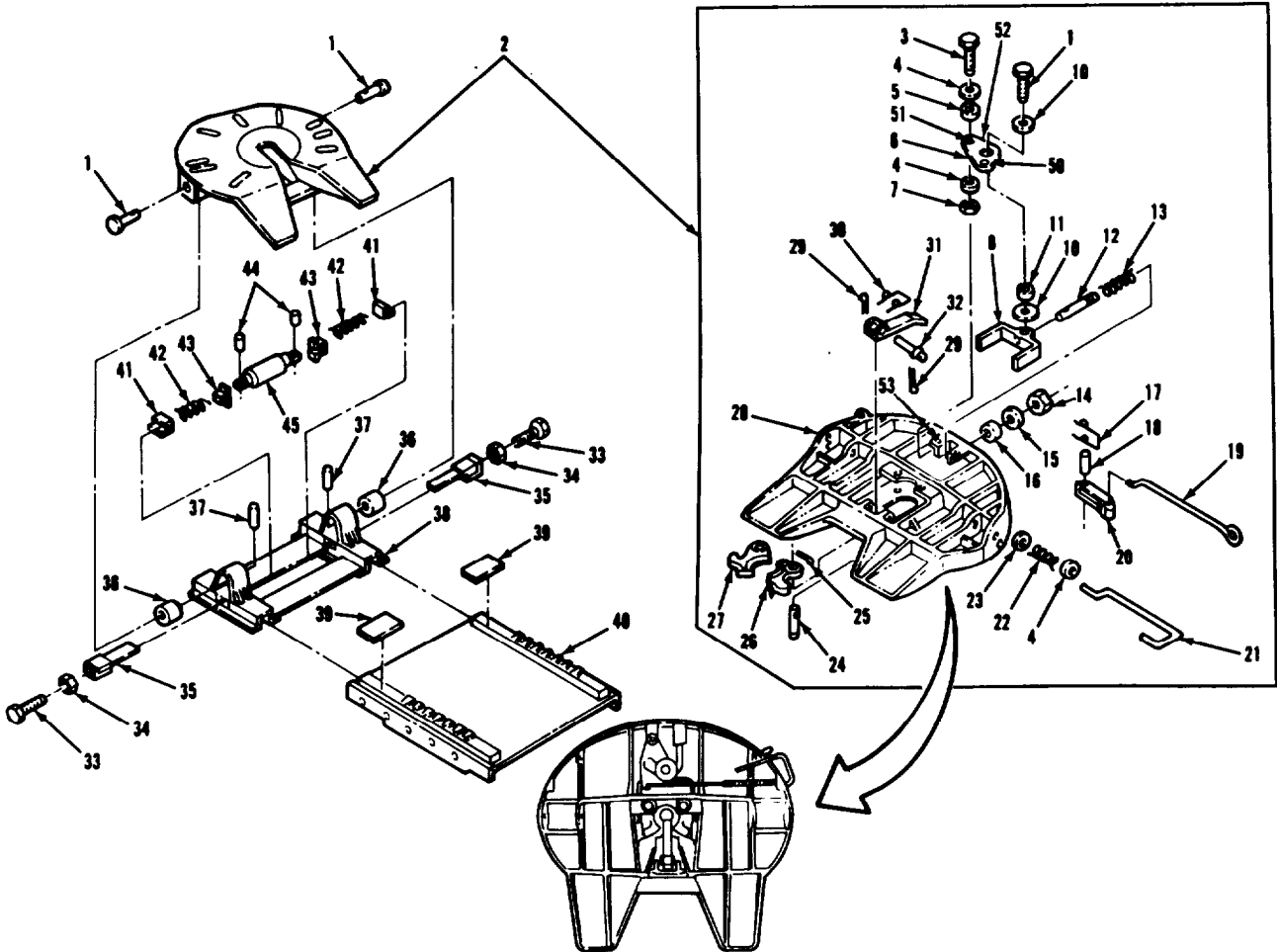
FRAME AND TOWING ATTACHMENTS.

3-97. FIFTH WHEEL REPAIR (Continued).

LOCATION/ITEM	ACTION	REMARKS
C. ASSEMBLY (Continued).		
43. Shank (12).	Insert thru items (28) and (13), and into item (8).	Line up recess in item 12) with hole in item 1(8).
44. Washer (23), spring (22), and washer (4).	Install onto item (21).	
NOTE		
The art pages in the rest of this procedure will include an assembled view of the fifth wheel to be used as an aid during assembly.		
45. Handle (21).	<ul style="list-style-type: none"> a. Insert hooked end thru loop of item (28). b. Install offset end into hole (50) in item (6). 	
46. Plate (6).	<ul style="list-style-type: none"> a. Position on item (28) so that hole (51) in item (6) lines up with hole (53) in item (28). b. Secure to item (28) with items (3), (4), (5), and (7). c. Position over item (8) so that opening (52) in item (6) lines up with hole in 	<p>When properly assembled, there should be one item (4) above item (6) and one item (4) below item (6). Tighten item (7) enough to allow free movement of item (6).</p>
T e x t		

FRAME AND TOWING ATTACHMENTS.

3-97. FIFTH WHEEL REPAIR (Continued).



LEGEND:

- | | |
|-----------------------|-----------------------|
| 3. HEXAGON HEAD SCREW | 21. RELEASE HANDLE |
| 4. WASHER (3) | 22. SPRING |
| 5. ROLLER | 23. WASHER |
| 6. CAM PLATE | 28. FIFTH WHEEL PLATE |
| 7. HEXAGON HEAD NUT | 50. HANDLE HOLE |
| 8. YOKE | 51. HOLE |
| 12. YOKE SHANK | 52. CAM PLATE OPENING |
| 13. YOKE SPRING | 53. HOLE |

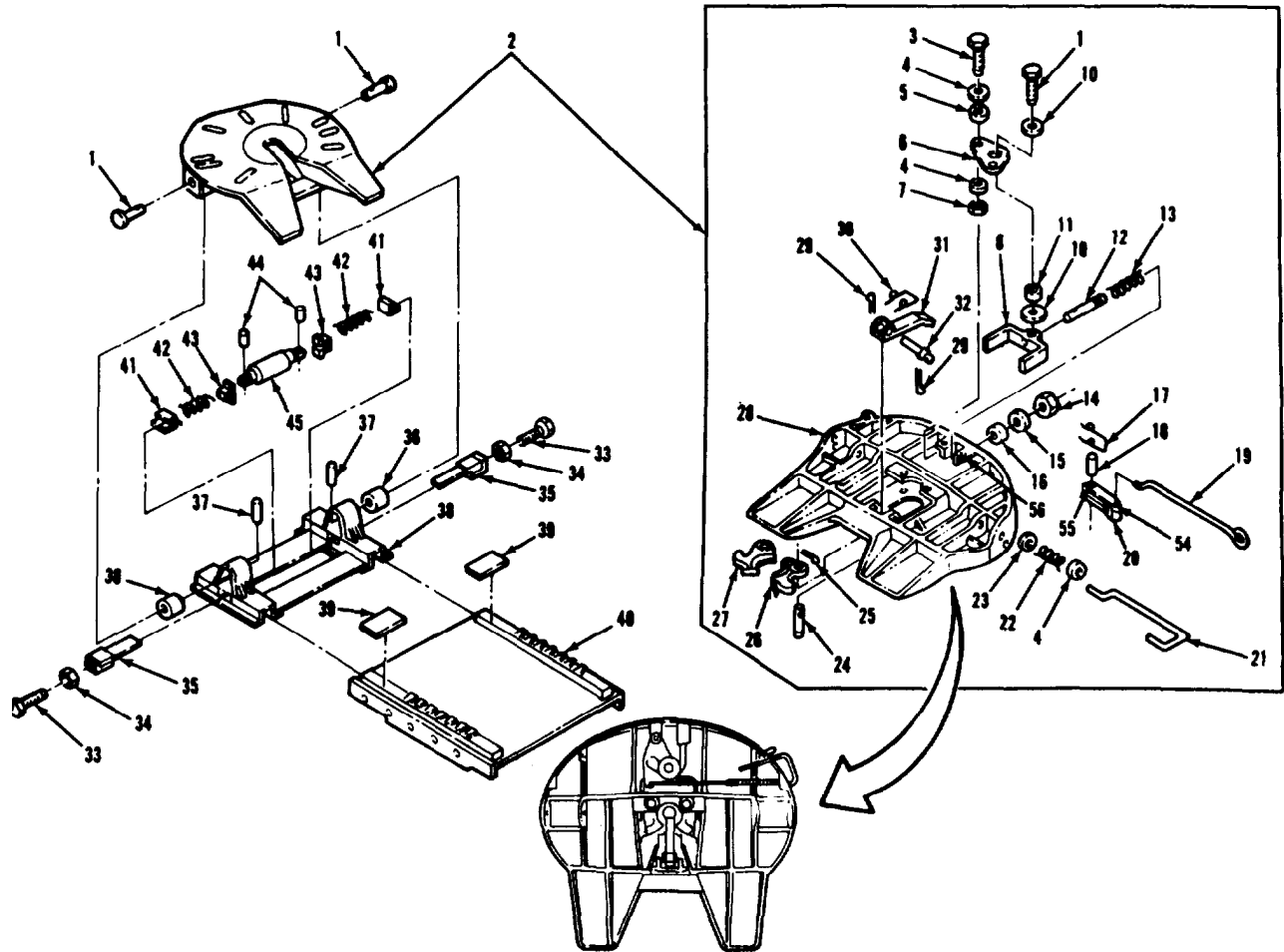
TA 238472

FRAME AND TOWING ATTACHMENTS.

3-97. FIFTH WHEEL REPAIR (Continued).		
LOCATION/ITEM	ACTION	REMARKS
C. ASSEMBLY (Continued).		
46. Plate (6) (continued).	d. Secure to item (8) with items (9), (10), and (11).	When properly assembled, there should be one item (10) above item (6) and one item (10) below item (6). Tighten item (9) enough to allow free movement of item (6). Make sure item (9) goes into recess of item (12) when installed.
47. Block (16), washer (15), and nut (14).	Install onto item (12).	Tighten item (14) until item (16) is against item (28). Do not compress item (13) by tightening item (14).
48. Handle (19).	Insert offset end thru loop of item (28), and into hole (54) in item (20).	
49. Lock (20) and spring (17).	a. Install onto item (28) and line up holes in item (17) and hole (55) in item (20) with hole (56) in item (28). b. Secure with item (18).	Use suitable hoist to lift item (28) if necessary to install item (18). Use a suitable drift pin to keep items (17), (20), and (28) lined up while installing item (18).
50. Handles (19) and (21), and two lockjaws (26) and (27) 1	a. Pull out item (19) until it catches on item (28). b. Pull out item (21) and pry open items (26) and (27).	

FRAME AND TOWING ATTACHMENTS.

3-97. FIFTH WHEEL REPAIR (Continued)..



LEGEND:

- | | |
|-----------------------|---------------------------|
| 6. CAM PLATE | 18. ROLLED PIN |
| 8. YOKE | 19. SECONDARY LOCK HANOLE |
| 9. HEXAGON HEAD SCREW | 20. SECONDARY LOCK |
| 10. WASHER (2) | 21. RELEASE-HANDLE |
| 11. ROLLER | 26. LEFT-HAND LOCKJAW |
| 12. YOKE SHANK | 27. RIGHT-HAND LOCKJAW |
| 13. YOKE SPRING | 28. FIFTH WHEEL PLATE |
| 14. HEXAGON HEAD NUT | 54. HANDLE HOLE |
| 15. WASHER | 55. HOLE |
| 16. RUBBER BLOCK | 56. HOLE |
| 17. SPRING | |

TA 238473

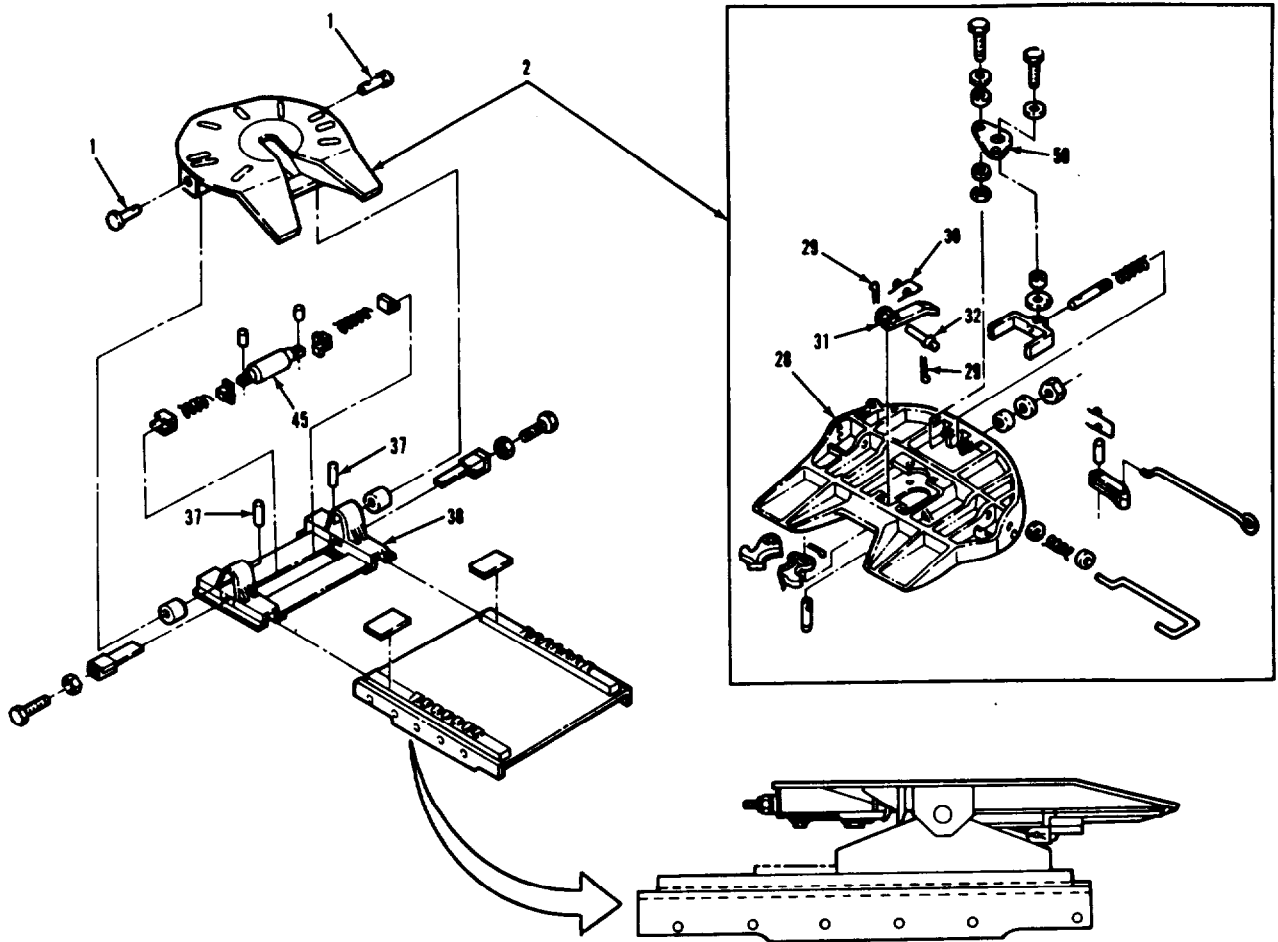
FRAME AND TOWING ATTACHMENTS.

3-97. FIFTH WHEEL REPAIR (Continued).

LOCATION/ITEM	ACTION	REMARKS
C. ASSEMBLY (Continued).		
51. Guard (31) and spring (30).	a. Position on item (28) and line up holes. b. Secure to item (28) with item (32).	Use a guide pin to aid in alining holes.
52. Two new pins (29).	Install into item (32).	
53. Air line and fittings.	Install between items (45) and (50).	Refer to TM 9-2320-283-20.
54. Fifth wheel assembly (2).	a. Using chain and suitable hoist lift off wood blocks and position on item (38). b. Secure to item (38) with two pins (1).	Make sure item (2) is facing the correct direction when positioned on item (38) (see illustration).
55. Two pins (37).	Install into two pins (1).	
NOTE		
Follow-on maintenance action required:		
Install fifth wheel (TM 9-2320-283-20).		
Lubricate fifth wheel (LO 9-2320-283-12).		
Adjust fifth wheel (TM 9-2320-283-20).		

FRAME AND TOWING ATTACHMENTS.

3-97. FIFTH WHEEL REPAIR (Continued).



LEGEND:

- | | |
|-------------------------|--------------------|
| 1. BRACKET PIN (2) | 32. PIN |
| 2. FIFTH WHEEL ASSEMBLY | 37. ROLLED PIN (2) |
| 28. FIFTH WHEEL PLATE | 38. SLIDE BRACKET |
| 29. COTTER PIN (2) | 45. AIR CYLINDER |
| 30. TORSION SPRING | 50. HANDLE HOLE |
| 31. LOCK GUARD | |

TA 238474

Section XIII. SPRING SHOCK ABSORBERS, AND TORQUE RODS

3-98. GENERAL.

This section provides procedures authorized at direct and general support maintenance levels to replace and repair springs, shock absorbers, and torque rod components. To find a specific procedure contained in this section, see the task summary below:

3-99. TASK SUMMARY.	
<u>INITIAL SETUP</u>	
<u>APPLICABLE CONFIGURATIONS</u>	<u>EQUIPMENT CONDITION</u>
All.	<u>PARAGRAPH</u> <u>CONDITION DESCRIPTION</u>
	(Refer to specific paragraph for this information).
<u>TEST EQUIPMENT</u>	
None.	
<u>SPECIAL TOOLS</u>	
Equalizing beam service set (45225) Y-8500A.	Installing adapter (45225) Y-862.
Receiving tube (45225) Y-860.	Torque rod bushing service set (45225) Y-820.
Removing adapter (45225) Y-862.	
<u>MATERIALS/PARTS (P/N)</u>	
Solvent, drycleaning, SD-2 Item 31, Appendix C.	Sleeve bushing (end; as required) (28158) 6572.
Grease, automotive and artillery Item 7, Appendix C.	Cotter pin (3) (24617) 1034111.
Rags, wiping Item 26, Appendix C.	Special shackle pin screw (3) (34623) MB279-20000.
Spring assembly (28158) 45121.	Spring clip rivet (3) (24617) 110432.
Sleeve bushing (center; as required) (28158) 5919.	Bushing (as required) (281583) 44695.
<u>PERSONNEL REQUIRED</u>	<u>SPECIAL ENVIRONMENTAL CONDITIONS</u>
Two (MOS-63W).	Work area clean and away from blowing dirt and dust.
<u>REFERENCE (TM)</u>	<u>GENERAL SAFETY INSTRUCTIONS</u>
TM 9-2320-283-10.	Block front wheels.
TM 9-2320-283-30.	
TM 9-2320-283-34P.	
<u>TROUBLESHOOTING REFERENCES</u>	
None.	

SPRINGS, SHOCK ABSORBERS, AND TORQUE RODS.

3-99. TASK SUMMARY (Continued).				
LIST OF TASKS				
TASK NO.	TASK	TASK REF	TROUBLESHOOTING REF NO. (PARA)	
1	Rear Tandem Axle Spring and Saddle Replacement	3-100		
	a. Removal.	3-100a		
	b. Cleaning.	3-100b		
	c. Inspection.	3-100c		
	d. Installation.	3-100d		
2	Rear Tandem Axle Spring Hanger Replacement	3-101		
	a. No. 1 Rear Spring Hanger Removal.	3-101a		
	b. No. 2 and No. 3 Rear Spring Hangers Removal.	3-101b		
	c. Cleaning.	3-101c		
	d. Inspection.	3-101d		
	e. No. 2 and No. 3 Rear Spring Hangers Installation.	3-101e		
	f. No. 1 Rear Spring Hanger Installation.	3-101f		
3	Equalizer Beam Replacement	3-102		
	a. Removal.	3-102a		
	b. Cleaning.	3-102b		
	c. Inspection.	3-102c		
	d. Installation.	3-102d		
4	Equalizer Beam Repair	3-103		
	a. Center Bushing Replacement.	3-103a		
	b. End Bushing Replacement.	3-103b		
5	Front Spring Replacement	3-104		
	a. Removal.	3-104a		
	b. Cleaning.	3-104b		
	c. Inspection.	3-104c		
	d. Installation.	3-104d		
6	Front Spring Repair	3-105		
	a. Disassembly.	3-105a		
	b. Cleaning and Inspection.	3-105b		
	c. Assembly.	3-105c		
7	Torque Rod Repair	3-106		
	a. Disassembly.	3-106a		
	b. Cleaning and Inspection.	3-106b		
	c. Assembly.	3-106c		

SPRINGS, SHOCK ABSORBERS, AND TORQUE RODS.

3-100. REAR TANDEM AXLE SPRING AND SADDLE REPLACEMENT.

THIS TASK COVERS

- a. Removal.
- b. Cleaning.
- c. Inspection.
- d. Installation.

INITIAL SETUP

APPLICABLE CONFIGURATIONS

All.

EQUIPMENT CONDITION
PARAGRAPH

TM 9-2320-283-10.

CONDITION DESCRIPTION

Forward-rear tandem
tires removed on side
which spring assembly
will be replaced.

TEST EQUIPMENT

None.

SPECIAL TOOLS

None.

MATERIALS/PARTS (P/N)

Solvent, drycleaning, SD-2
Item 31, Appendix C.
Grease, automotive and artillery
Item 7, Appendix C.
Rags, wiping
Item 26, Appendix C.
Spring assembly
(28158) 45121.

PERSONNEL REQUIRED

One (MOS-63W).

SPECIAL ENVIRONMENTAL CONDITIONS

Work area clean and away from blowing
dirt and dust.

REFERENCE (TM)

TM 9-2320-283-10.
TM 9-2320-283-34P.

GENERAL SAFETY INSTRUCTIONS

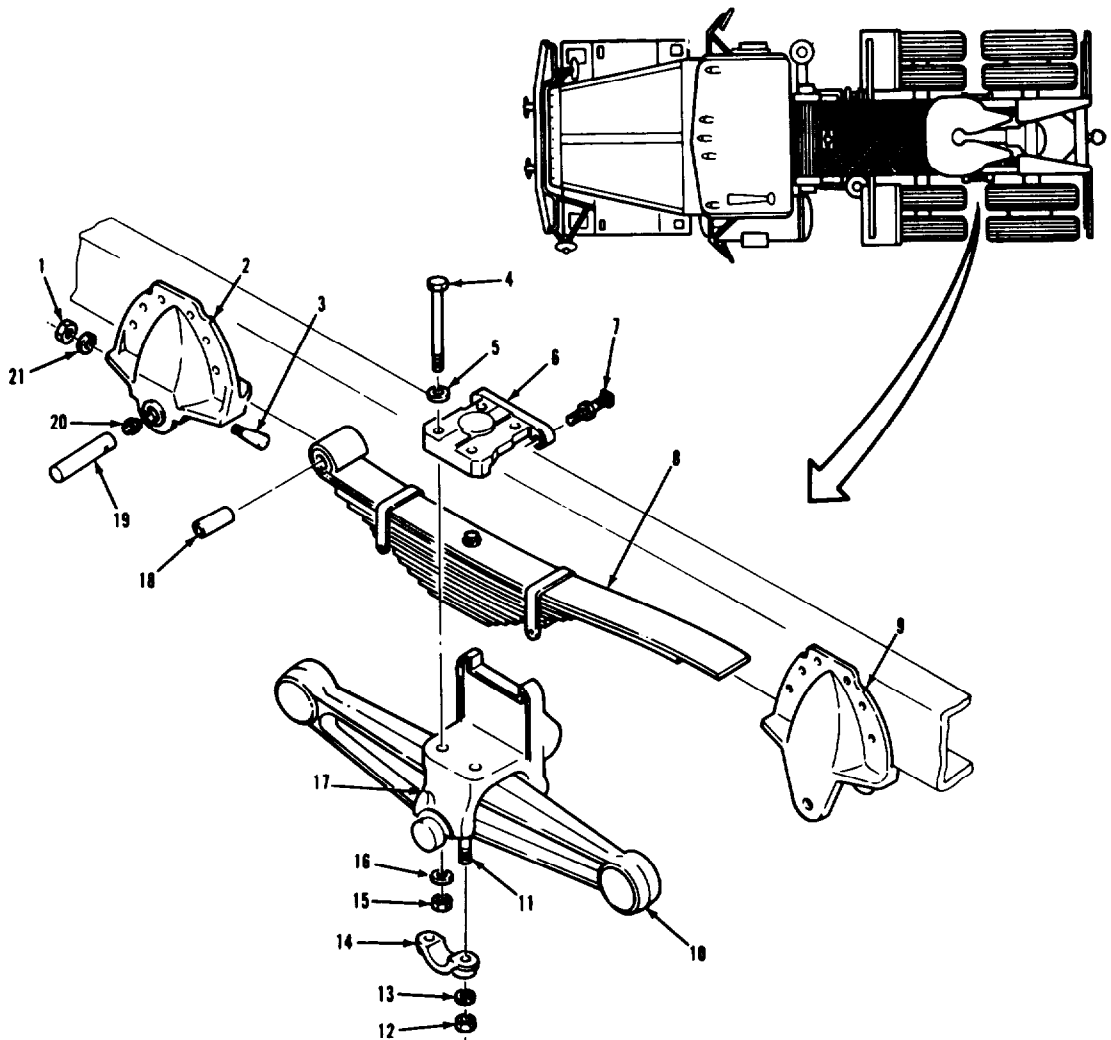
None.

TROUBLESHOOTING REFERENCES

None.

SPRINGS, SHOCK ABSORBERS, AND TORQUE RODS.

3-100. REAR TANDEM AXLE SPRING AND SADDLE REPLACEMENT (Continued).



LEGEND:

- | | | |
|-----------------------------|-----------------------------|------------------------|
| 1. NUT | 8. SPRING ASSEMBLY | 15. HEX HEAD NUT (4) |
| 2. NO. 1 REAR SPRING HANGER | 9. NO. 2 REAR SPRING HANGER | 16. WASHER (4) |
| 3. DRAWKEY | 10. EQUALIZER BEAM | 17. SADDLE |
| 4. HEX HEAD SCREW (4) | 11. STUD (4) | 18. SLEEVE BUSHING |
| 5. WASHER (4) | 12. HEX HEAD NUT (4) | 19. VEHICULAR LEAF PIN |
| 6. TOP PAD | 13. PLAIN WASHER (4) | 20. FITTING |
| 7. SETSCREW (2) | 14. SADDLE CAP (2) | 21. LOCKWASHER |

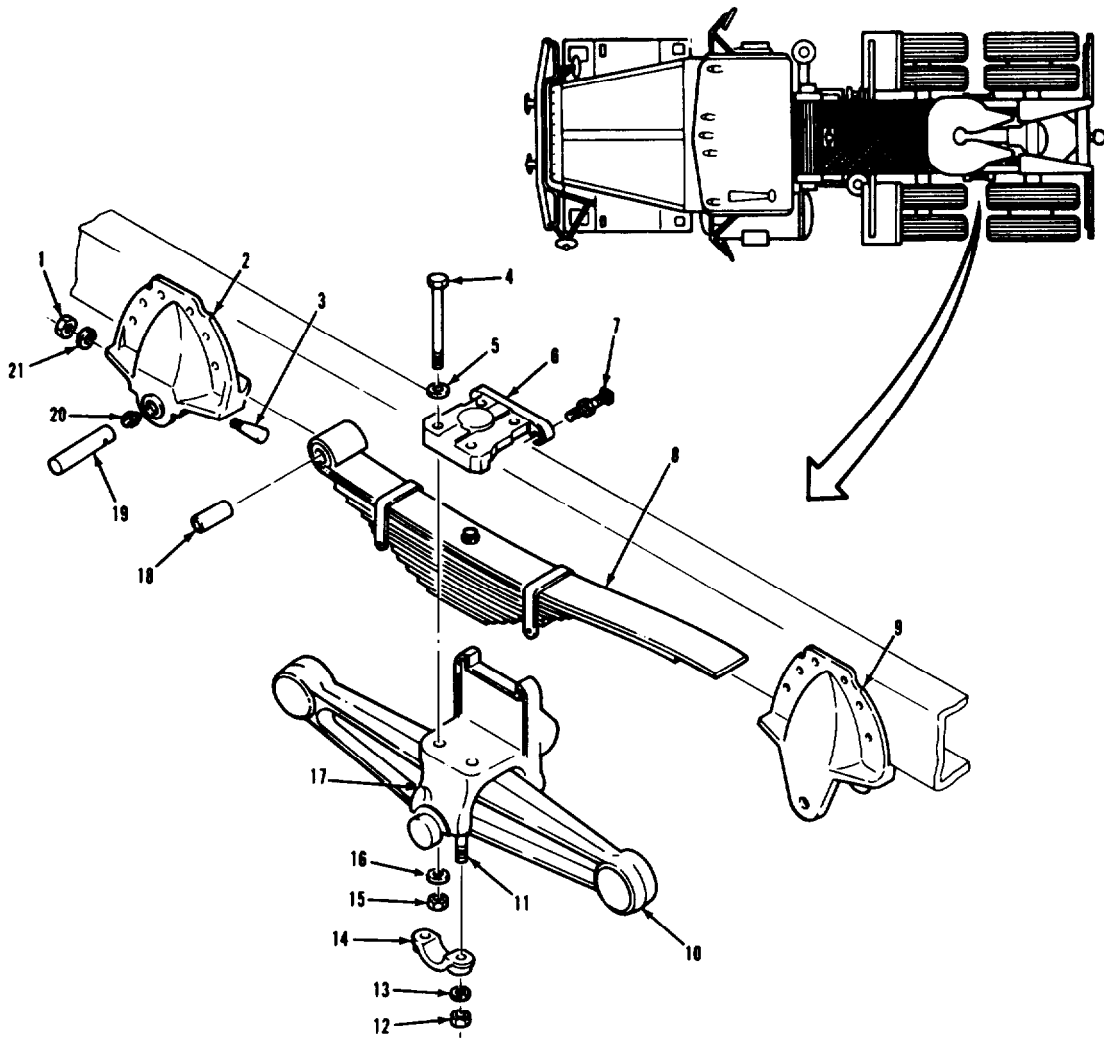
TA 238475

SPRINGS, SHOCK ABSORBERS, AND TORQUE RODS.

3-100. REAR TANDEM AXLE SPRING AND SADDLE REPLACEMENT (Continued).		
LOCATION/ITEM	ACTION	REMARKS
A. REMOVAL.		
1. Four nuts (12) and washers (13).	Remove from four items (11).	
2. Two caps (14).	Remove from items (11) and (17).	Item (14) may have to be hit with a ball peen hammer so it will drop from items (17) and (11).
3. Two setscrews (7).	Loosen four turns.	Locknut on items (7) must be loosened prior to loosening items (7). Not necessary to remove items (7) from item (6).
4. Four nuts (15) and washers (16).	Remove from item (4).	
NOTE		
Using a suitable lifting device, raise side of frame on which spring assembly is being replaced. Lift frame at lifting hook, high enough so all frame weight is removed from spring assembly. Position a jack stand under frame nearest lifting hook.		
5. Two outer screws (4) and washers (5).	Remove from items (6) and (7).	The two inside items (4) and (5) may be removed when tilting item (6) toward the inside of the frame.

SPRINGS, SHOCK ABSORBERS, AND TORQUE RODS.

3-100. REAR TANDEM AXLE SPRING AND SADDLE REPLACEMENT (Continued).



LEGEND:

- | | | |
|-----------------------------|-----------------------------|------------------------|
| 1. NUT | 8. SPRING ASSEMBLY | 15. HEX HEAD NUT (4) |
| 2. NO. 1 REAR SPRING HANGER | 9. NO. 2 REAR SPRING HANGER | 16. WASHER (4) |
| 3. DRAWKEY | 10. EQUALIZER BEAM | 17. SADDLE |
| 4. HEX HEAD SCREW (4) | 11. STUD (4) | 18. SLEEVE BUSHING |
| 5. WASHER (4) | 12. HEX HEAD NUT (4) | 19. VEHICULAR LEAF PIN |
| 6. TOP PAD | 13. PLAIN WASHER (4) | 20. FITTING |
| 7. SETSCREW (2) | 14. SADDLE CAP (2) | 21. LOCKWASHER |

TA 238476

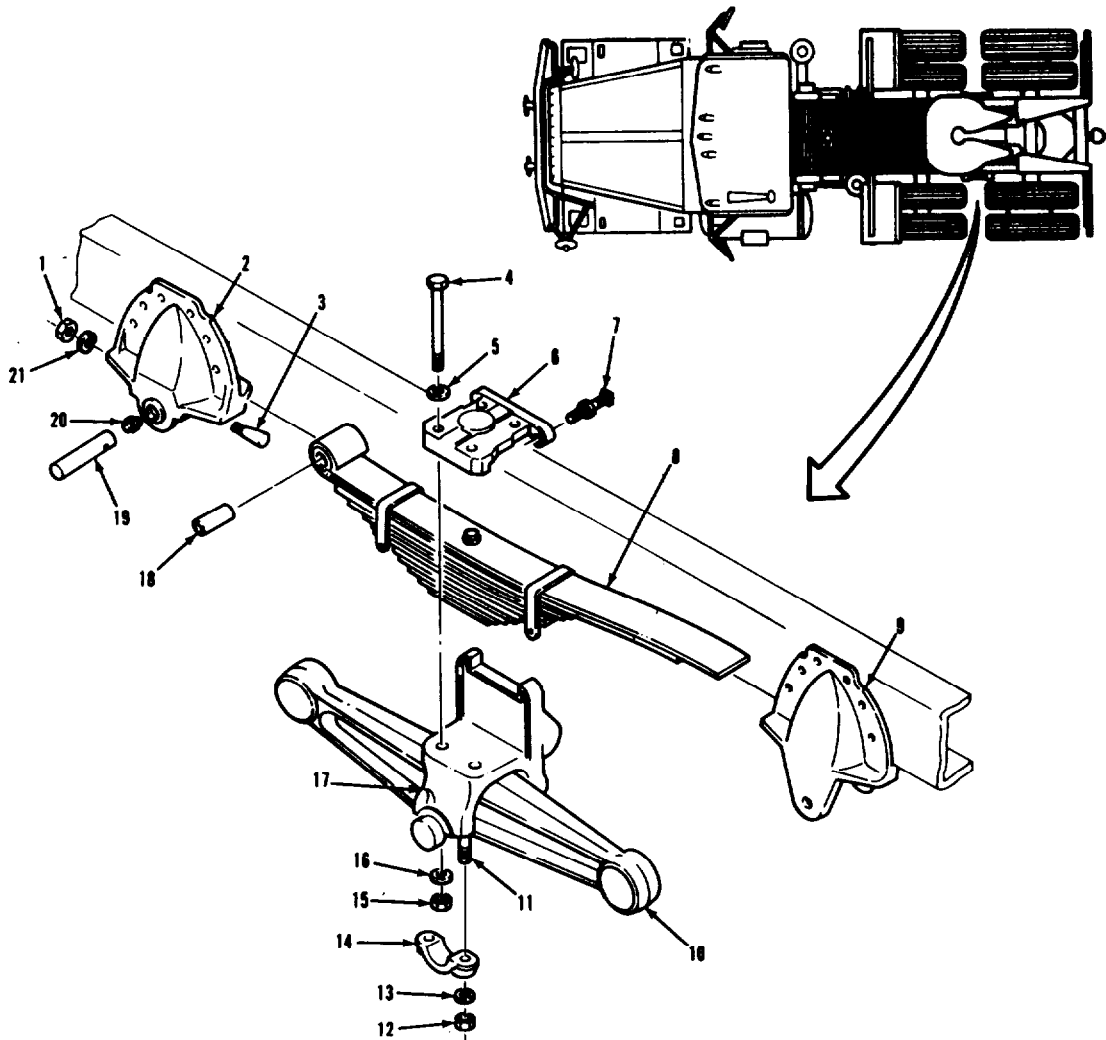
SPRINGS, SHOCK ABSORBERS, AND TORQUE RODS.

3-100. REAR TANDEM AXLE SPRING AND SADDLE REPLACEMENT (Continued).

LOCATION/ITEM	ACTION,	REMARKS
A. REMOVAL (Continued).		
6. Pad (6).	Remove from item (8).	To loosen item (6) it may be necessary to hit with a ball peen hammer.
7. Nut (1), lock-washer (21). and drawkey (3).	Remove from item (2).	
8. Fitting (20).	Remove from item (19).	
9. Pin (19).	Remove from item (2).	Use a brass drift and hammer to drive through pin bushing hole of item (2).
<u>WARNING</u>		
The spring assembly is heavy and awkward and could cause personal injury. Use a suitable lifting device to remove from saddle.		
10. Spring assembly (8).	Remove from item (17).	It may be necessary to slide item (8) forward to clear item (9).
11. Bushing (18).	Remove from item (8).	Use a drift punch and hammer to remove.
12. Saddle (17).	Remove from item (10).	
B. CLEANING.		
13. All parts.	Clean.	Refer to paragraph 3-4.

SPRINGS, SHOCK ABSORBERS, AND TORQUE RODS.

3-100. REAR TANDEM AXLE SPRING AND SADDLE REPLACEMENT (Continued).



LEGEND:

- | | | |
|-----------------------------|-----------------------------|------------------------|
| 1. NUT | 8. SPRING ASSEMBLY | 15. HEX HEAD NUT (4) |
| 2. NO. 1 REAR SPRING HANGER | 9. NO. 2 REAR SPRING HANGER | 16. WASHER (4) |
| 3. DRAWKEY | 10. EQUALIZER BEAM | 17. SADDLE |
| 4. HEX HEAD SCREW (4) | 11. STUD (4) | 18. SLEEVE BUSHING |
| 5. WASHER (4) | 12. HEX HEAD NUT (4) | 19. VEHICULAR LEAF PIN |
| 6. TOP PAD | 13. PLAIN WASHER (4) | 20. FITTING |
| 7. SETSCREW (2) | 14. SADDLE CAP (2) | 21. LOCKWASHER |

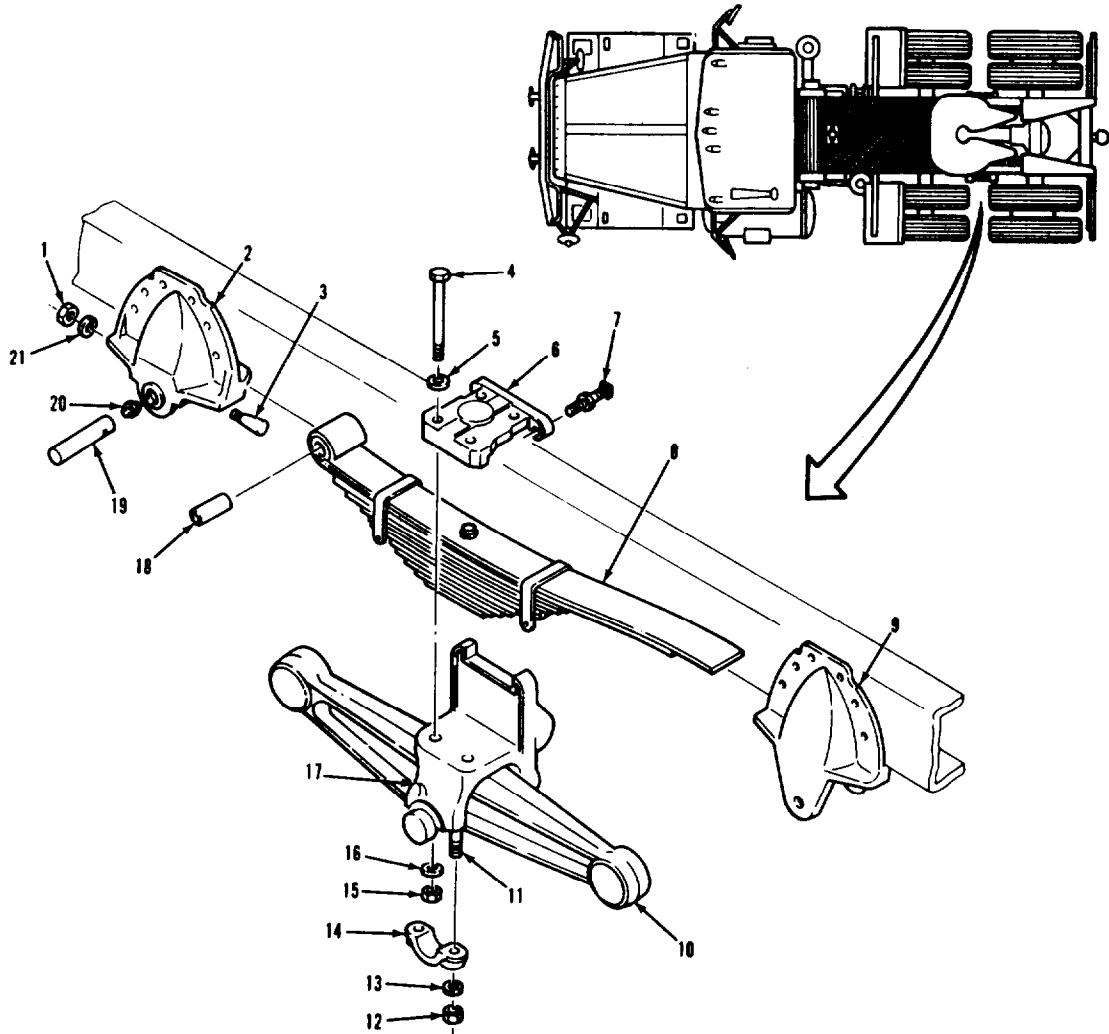
SPRINGS, SHOCK ABSORBERS, AND TORQUE RODS.

3-100. REAR TANDEM AXLE SPRING AND SADDLE REPLACEMENT (Continued).

LOCATION/ITEM	ACTION	REMARKS
C. INSPECTION.		
14. All parts.	Inspect,	Refer to paragraph 3-5.
D. INSTALLATION.		
15. Saddle (17).	Position on item (10).	
16. Bushing (18).	Install in item (8).	Use a suitable bushing driver for installation.
17. Spring assembly (8).	Slide into item (9) and item (2) then position onto item (17).	Use a floor crane for lifting and sliding into position.
18. Pin (19).	Install in item (2).	Coat outside of pin with assembly lube. Insert slotted end of item (19) toward inside of item (2).
19. Drawkey (3).	Carefully insert into drawkey hole of item (2).	Item (3) is installed at the rear of item (2). Threads of item (3) are exposed at the front of item (2).

SPRINGS, SHOCK ABSORBERS, AND TORQUE RODS.

3-100. REAR TANDEM AXLE SPRING AND SADDLE REPLACEMENT (Continued).



LEGEND:

- | | | |
|-----------------------------|-----------------------------|------------------------|
| 1. NUT | 8. SPRING ASSEMBLY | 15. HEX HEAD NUT (4) |
| 2. NO. 1 REAR SPRING HANGER | 9. NO. 2 REAR SPRING HANGER | 16. WASHER (4) |
| 3. DRAWKEY | 10. EQUALIZER BEAM | 17. SADDLE |
| 4. HEX HEAD SCREW (4) | 11. STUD (4) | 18. SLEEVE BUSHING |
| 5. WASHER (4) | 12. HEX HEAD NUT (4) | 19. VEHICULAR LEAF PIN |
| 6. TOP PAD | 13. PLAIN WASHER (4) | 20. FITTING |
| 7. SETSCREW (2) | 14. SADDLE CAP (2) | 21. LOCKWASHER |

TA 238478

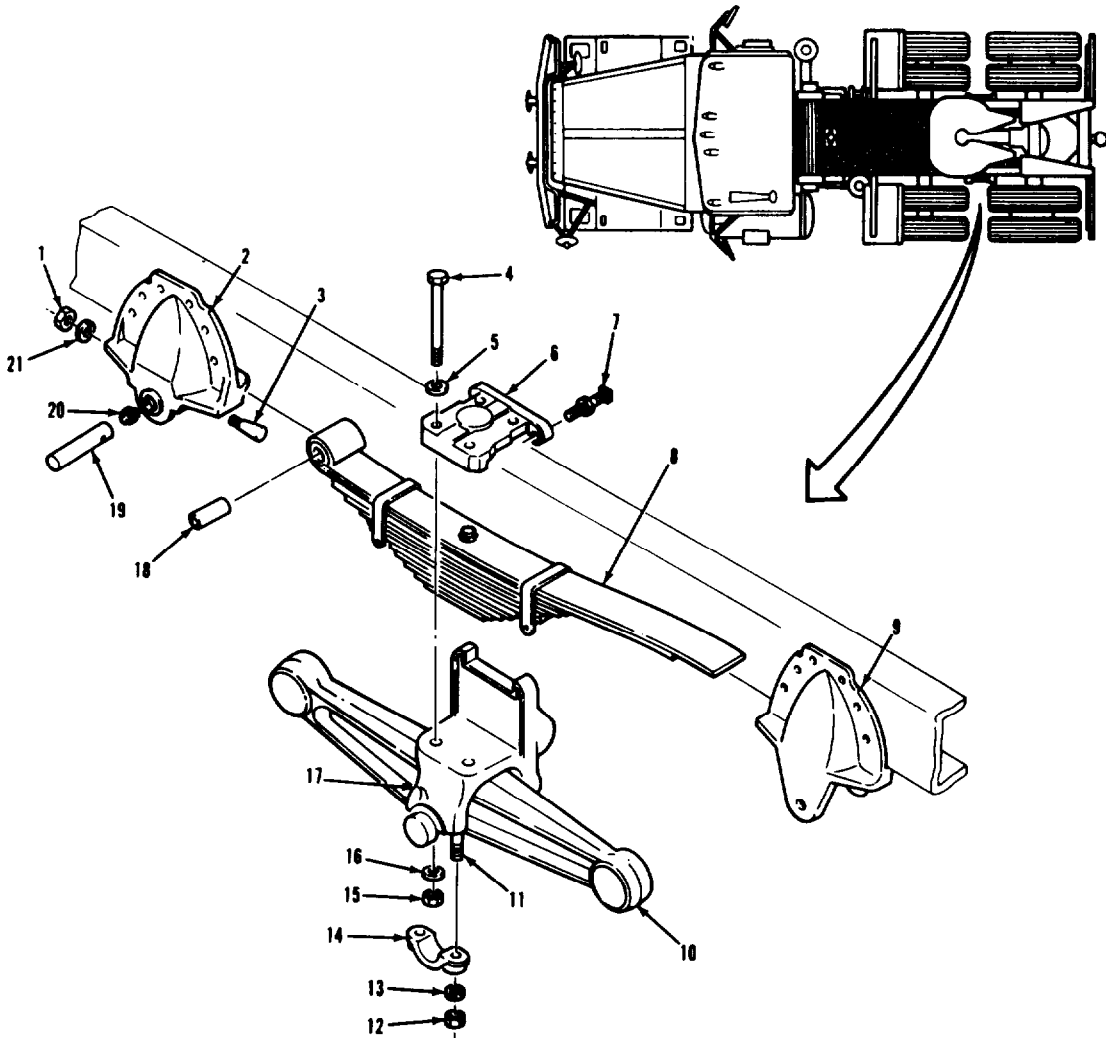
SPRINGS, SHOCK ABSORBERS, AND TORQUE RODS.

3-100. REAR TANDEM AXLE SPRING AND SADDLE REPLACEMENT (Continued).

LOCATION/ITEM	ACTION	REMARKS
D. INSTALLATION (Continued).		
20. Nut (1) and lockwasher (21).	Install onto item (3) and torque to 75-100 lb-ft.	
21. Fitting (20).	Install in item (19).	Lubricate item (20) with grease.
22. Pad (6).	Position, with setscrew holes on the inside, onto item (8).	
23. Four screws (4) and washers (5).	Insert into holes of item (6).	
24. Four nuts (15) and washers (16).	Install onto four items (4) and torque to 275-300 lb-ft.	
25. Two setscrews (7).	Install into item (6) and torque to 100-1500 lb-ft.	
26. Beam (10).	Lift up and into item (17).	Use a suitable floor jack for lifting.
27. Four nuts (12) and washers (13).	Install onto four items (11) and torque to 225-275 lb-ft.	Detach overhead crane when step 27 is completed.
NOTE		
Follow-on maintenance action required:		
Install forward-rear tandem tires (TM 9-2320-283-10).		

SPRINGS, SHOCK ABSORBERS, AND TORQUE RODS.

3-100. REAR TANDEM AXLE SPRING AND SADDLE REPLACEMENT (Continued).



LEGEND:

- | | | |
|-----------------------------|-----------------------------|------------------------|
| 1. NUT | 8. SPRING ASSEMBLY | 15. HEX HEAD NUT (4) |
| 2. NO. 1 REAR SPRING HANGER | 9. NO. 2 REAR SPRING HANGER | 16. WASHER (4) |
| 3. DRAWKEY | 10. EQUALIZER BEAM | 17. SADDLE |
| 4. HEX HEAD SCREW (4) | 11. STUD (4) | 18. SLEEVE BUSHING |
| 5. WASHER (4) | 12. HEX HEAD NUT (4) | 19. VEHICULAR LEAF PIN |
| 6. TOP PAD | 13. PLAIN WASHER (4) | 20. FITTING |
| 7. SETSCREW (2) | 14. SADDLE CAP (2) | 21. LOCKWASHER |

TA 238479

SPRINGS, SHOCK ABSORBERS, AND TORQUE RODS.

3-101. REAR TANDEM AXLE SPRING HANGER REPLACEMENT.

THIS TASK COVERS

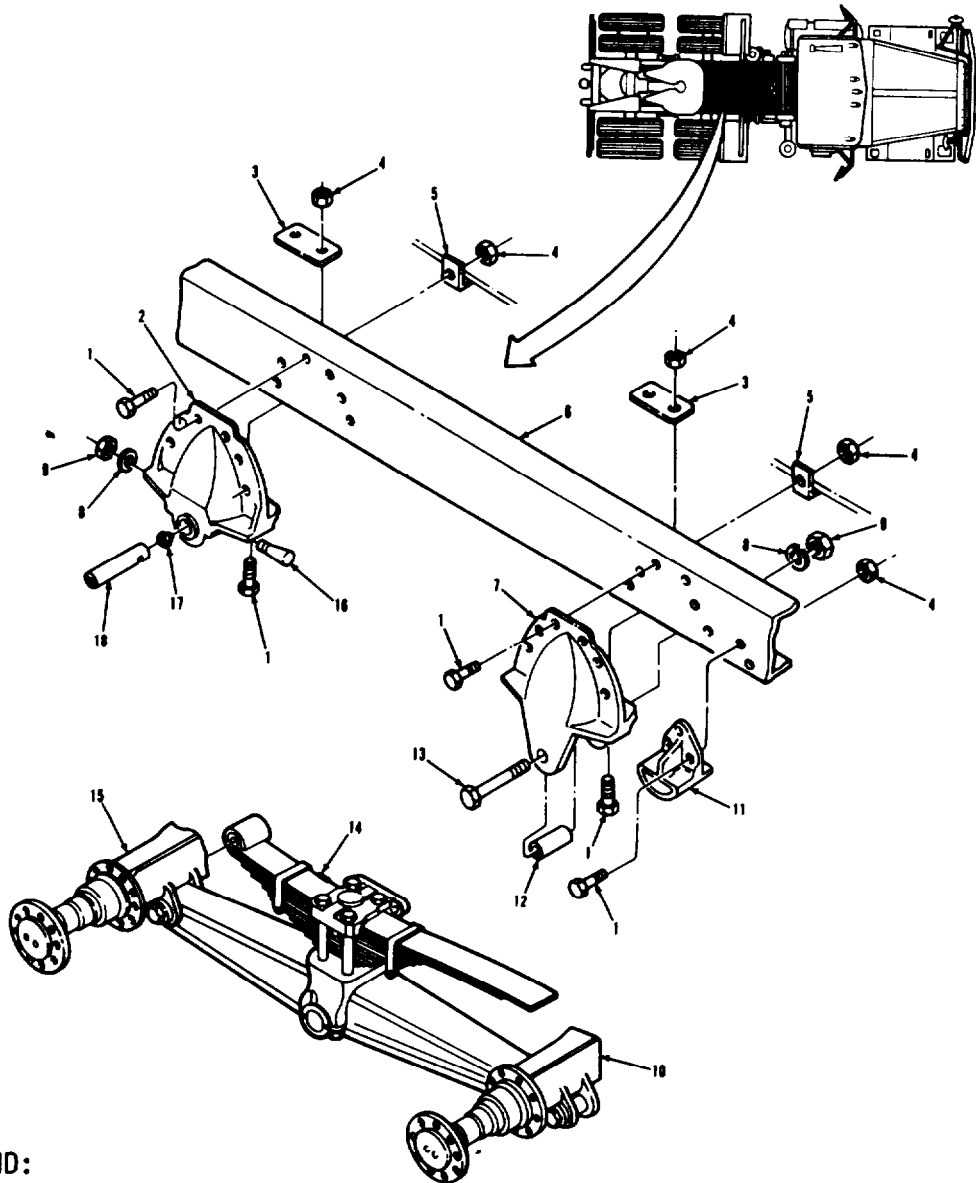
- | | |
|---|---|
| a. No. 1 rear Spring Hanger Removal. | e. No. 2 and No.3 Rear Spring Hangers Installation. |
| b. No. 2 and No. 3 Rear Spring Hangers Removal. | f. No. 1 rear spring hanger Installation. |
| c. Cleaning. | |
| d. Inspection. | |

INITIAL SETUP

<u>APPLICABLE CONFIGURATIONS</u> Text	<u>EQUIPMENT CONDITION PARAGRAPH</u> TM 9-2320-283-10	<u>CONDITION DESCRIPTION</u> Forward-rear tandem tires removed on side in which spring hanger is replaced.
<u>TEST EQUIPMENT</u> None.	TM 9-2320-283-20.	Forward-rear axle stop removed on side which spring hanger is removed.
<u>SPECIAL TOOLS</u> None.		
<u>MATERIALS/PARTS (P/N)</u> None.		
<u>PERSONNEL REQUIRED</u> One (MOS-63W).	<u>SPECIAL ENVIRONMENTAL CONDITIONS</u> None.	
REFERENCES (TM) TM 9-2320-283-10. TM 9-2320-283-20.	<u>GENERAL SAFETY INSTRUCTIONS</u> Block front wheels.	
<u>TROUBLESHOOTING REFERENCES</u> None.		

SPRINGS, SHOCK ABSORBERS, AND TORQUE RODS.

3-101. REAR TANDEM AXLE SPRING HANGER REPLACEMENT (Continued).



LEGEND:

- | | |
|-----------------------------|--------------------------------|
| 1. HEXAGON HEAD SCREW (19) | 10. REAR-REAR AXLE ASSEMBLY |
| 2. NO. 1 REAR SPRING HANGER | 11. NO. 3 REAR SPRING HANGER |
| 3. SPACER PLATE (2) | 12. REBOUND BOLT SPACER |
| 4. HEXAGON HEAD NUT (19) | 13. REBOUND BOLT |
| 5. TUBE SUPPORT BRACKET (2) | 14. SPRING ASSEMBLY |
| 6. FRAME ASSEMBLY | 15. FORWARD-REAR AXLE ASSEMBLY |
| 7. NO. 2 REAR SPRING HANGER | 16. DRAWKEY ASSEMBLY |
| 8. LOCKWASHER (2) | 17. FITTING |
| 9. NUT (2) | 18. VEHICULAR LEAF PIN |

TA238480

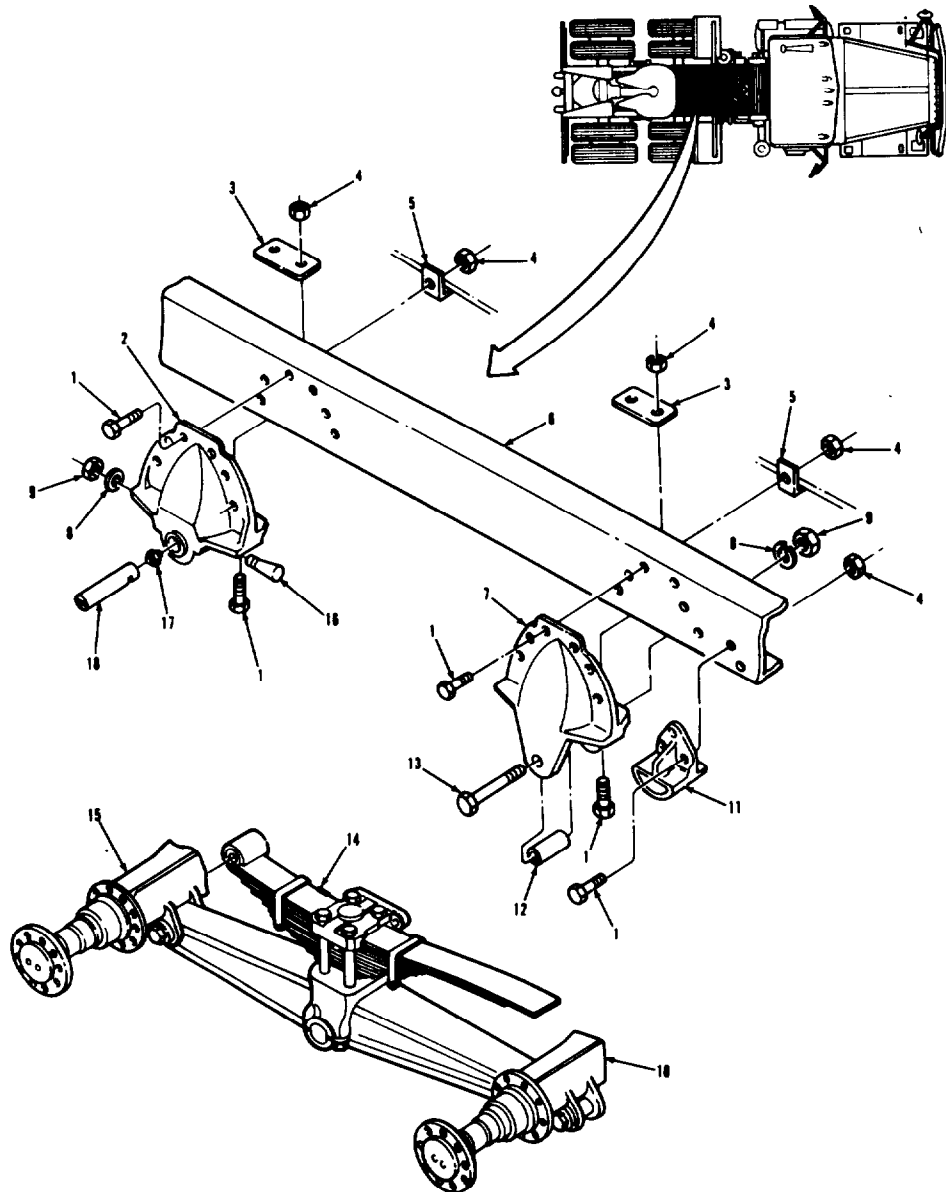
SPRINGS, SHOCK ABSORBERS, AND TORQUE RODS.

3-101. REAR TANDEM AXLE SPRING HANGER REPLACEMENT (Continued).

LOCATION/ITEM	ACTION	REMARKS
NOTE		
Rear tandem axle spring hangers on the right side of truck are same as those on left side. This procedure applies for hangers on either side of truck.		
A. NO. 1 REAR SPRING HANGER REMOVAL.		
1. Frame assembly (6).	a. Using suitable lifting device, lift until weight of vehicle is off item (14). b. Support with jack stands.	
2. Forward-rear axle assembly (15).	Using floor jack, raise until weight of item (14) is off item (2).	
3. Nut (9) and lock-washer (8).	Remove from item (16).	
4. Drawkey assembly (16).	Drive out of item (2).	
5. Fitting (17).	Remove from item (18).	Adjust floor jack as necessary to relieve tension of item (18) in items (2) and (14). To check for tension, put screwdriver in slot of item (18) and turn.
6. Pin (18).	Drive out of items (2) and (14).	
7. Two screws (1) and nuts (4).	Remove from items (2), (3), and (6).	
8. Six screws (1), nuts (4), bracket (5), hanger (2), and plate (3).	Remove from item (6).	Force item (14) down if necessary to remove item (2).

SPRINGS, SHOCK ABSORBERS, AND TORQUE RODS.

3-101. REAR TANDEM AXLE SPRING HANGER REPLACEMENT (Continued).



LEGEND:

- | | |
|-----------------------------|--------------------------------|
| 1. HEXAGON HEAD SCREW (19) | 10. REAR-REAR AXLE ASSEMBLY |
| 2. NO. 1 REAR SPRING HANGER | 11. NO. 3 REAR SPRING HANGER |
| 3. SPACER PLATE (2) | 12. REBOUND BOLT SPACER |
| 4. HEXAGON HEAD NUT (19) | 13. REBOUND BOLT |
| 5. TUBE SUPPORT BRACKET (2) | 14. SPRING ASSEMBLY |
| 6. FRAME ASSEMBLY | 15. FORWARD-REAR AXLE ASSEMBLY |
| 7. NO. 2 REAR SPRING HANGER | 16. DRAWKEY ASSEMBLY |
| 8. LOCKWASHER (2) | 17. FITTING |
| 9. NUT (2) | 18. VEHICULAR LEAF PIN |

TA 238481

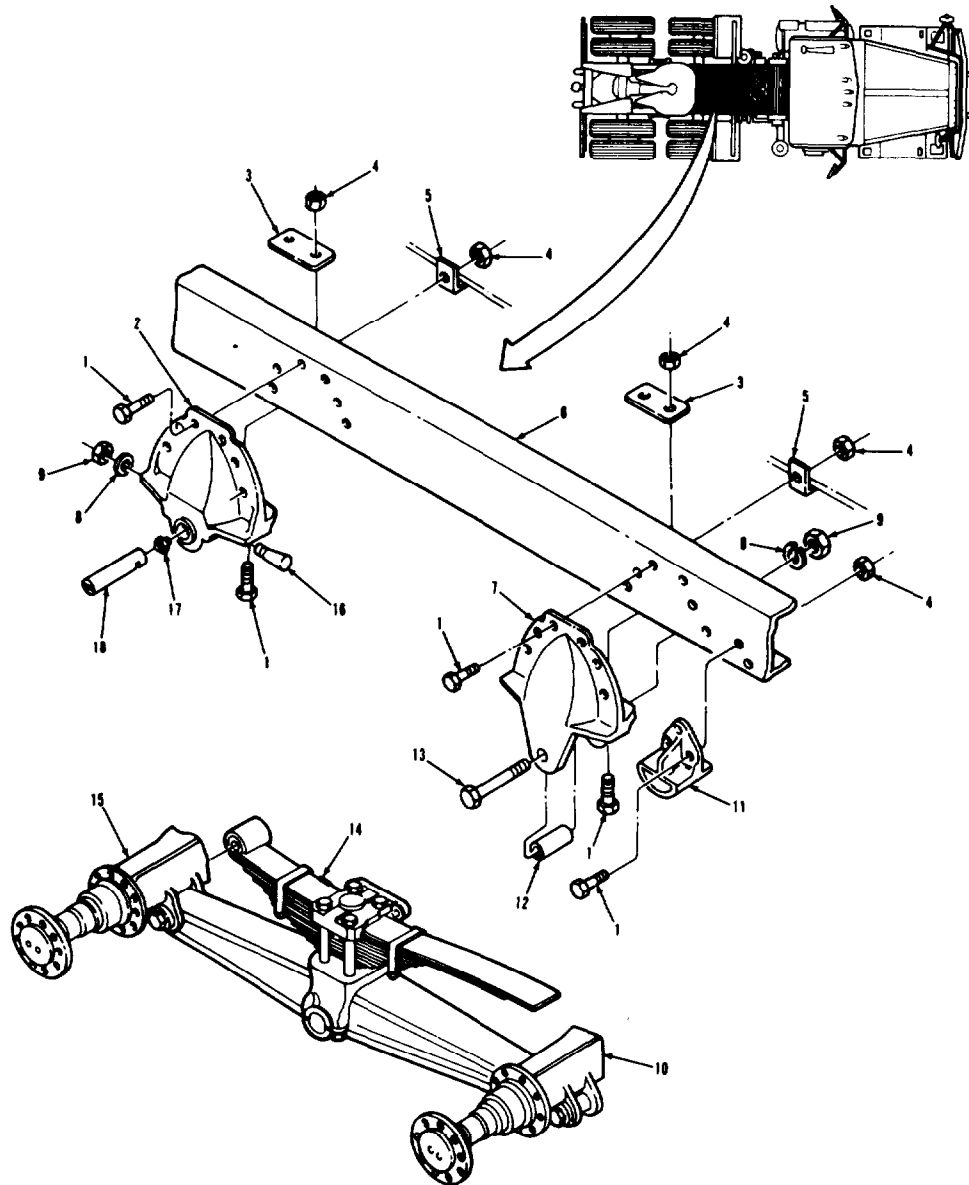
SPRINGS, SHOCK ABSORBERS, AND TORQUE RODS.

3-101. REAR TANDEM AXLE SPRING HANGER REPLACEMENT (Continued).

LOCATION/ITEM	ACTION	REMARKS
B. NO. 2 AND NO. 3 REAR SPRING HANGERS REMOVAL.		
9. Frame assembly (6).	a. Using suitable lifting device, lift until weight of vehicle is off item (14). b. Support with jack stands.	
10. Rear-rear axle assembly (10).	Using floor jack, raise until weight of item (14) is off item (7).	
11. Two screws (1) and nuts (4).	Remove from items (7), (3), and (6).	
12. Six screws (1), nuts (4), bracket (5), hanger (7), and plate (3).	Remove from item (6).	Item (7) cannot be removed from item (14) at this time.
13. Rear-rear axle assembly (10).	Using floor jack, lower until tension of item (14) is off item (11).	
14. Three screws (1), nuts (4), and hanger (11).	Remove from item (6).	
15. Hanger (7).	Remove from item (14).	
16. Bolt (13), lock-washer (8), nut (9), and spacer (12).	Remove from item (7).	

SPRINGS, SHOCK ABSORBERS, AND TORQUE RODS.

3-101. REAR TANDEM AXLE SPRING HANGER REPLACEMENT(Continued).



LEGEND:

- | | |
|-----------------------------|--------------------------------|
| 1. HEXAGON HEAD SCREW (19) | 10. REAR-REAR AXLE ASSEMBLY |
| 2. NO. 1 REAR SPRING HANGER | 11. NO. 3 REAR SPRING HANGER |
| 3. SPACER PLATE (2) | 12. REBOUND BOLT SPACER |
| 4. HEXAGON HEAD NUT (19) | 13. REBOUND BOLT |
| 5. TUBE SUPPORT BRACKET (2) | 14. SPRING ASSEMBLY |
| 6. FRAME ASSEMBLY | 15. FORWARD-REAR AXLE ASSEMBLY |
| 7. NO. 2 REAR SPRING HANGER | 16. DRAWKEY ASSEMBLY |
| 8. LOCKWASHER (2) | 17. FITTING |
| 9. NUT (2) | 18. VEHICULAR LEAF PIN |

TA238482

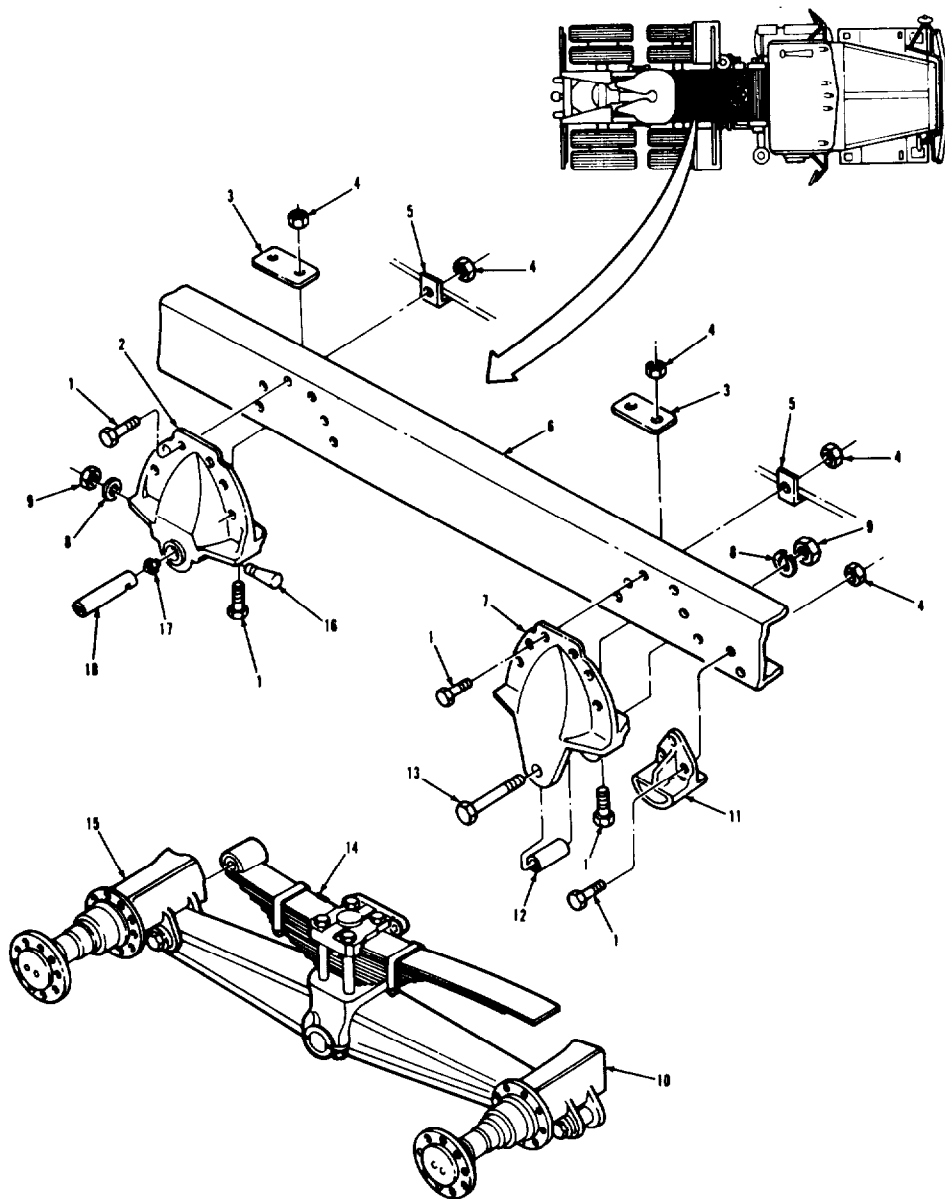
SPRINGS, SHOCK ABSORBERS, AND TORQUE RODS.

3-101. REAR TANDEM AXLE SPRING HANGER REPLACEMENT (Continued).

LOCATION/ITEM	ACTION	REMARKS
C. CLEANING.		
17. All parts.	Clean.	Refer to paragraph 3-4.
D. INSPECTION.		
18. All parts.	Inspect.	Refer to paragraph 3-5.
19. Hanger (2).	Inspect outside pin hole for cracks and elongation.	Discard item (2) if hole is elongated or if area around hole is cracked.
E. NO. 2 AND NO. 3 REAR SPRING HANGERS INSTALLATION.		
20. Spacer (12), bolt (13), lockwasher (8), and nut (9).	Install in item (7).	Torque item (9) to 70-80 lb-ft.
21. Hanger (7).	Slide onto item (14).	Item (12) should be under item (14) when installed.
22. Hanger (11), three screws (1), and nuts (4).	Install on item (6).	Tighten three items (4).
23. Rear-rear axle assembly (15).	Using floor jack, raise until holes in item (7) line up with holes in item (6).	
24. Hanger (7), bracket (5), six screws (1), and nuts (4).	Install on side of item (6), but do not tighten.	Do not install two items (1) and (4) in bottom of item (7) and (6) until step 28.

SPRINGS, SHOCK ABSORBERS, AND TORQUE RODS.

3-101. REAR TANDEM AXLE SPRING HANGER REPLACEMENT (Continued).



LEGEND:

- | | |
|-----------------------------|--------------------------------|
| 1. HEXAGON HEAD SCREW (19) | 10. REAR-REAR AXLE ASSEMBLY |
| 2. NO. 1 REAR SPRING HANGER | 11. NO. 3 REAR SPRING HANGER |
| 3. SPACER PLATE (2) | 12. REBOUND BOLT SPACER |
| 4. HEXAGON HEAD NUT (19) | 13. REBOUND BOLT |
| 5. TUBE SUPPORT BRACKET (2) | 14. SPRING ASSEMBLY |
| 6. FRAME ASSEMBLY | 15. FORWARD-REAR AXLE ASSEMBLY |
| 7. NO. 2 REAR SPRING HANGER | 16. DRAWKEY ASSEMBLY |
| 8. LOCKWASHER (2). | 17. FITTING |
| 9. NUT (2) | 18. VEHICULAR LEAF PIN |

TA238483

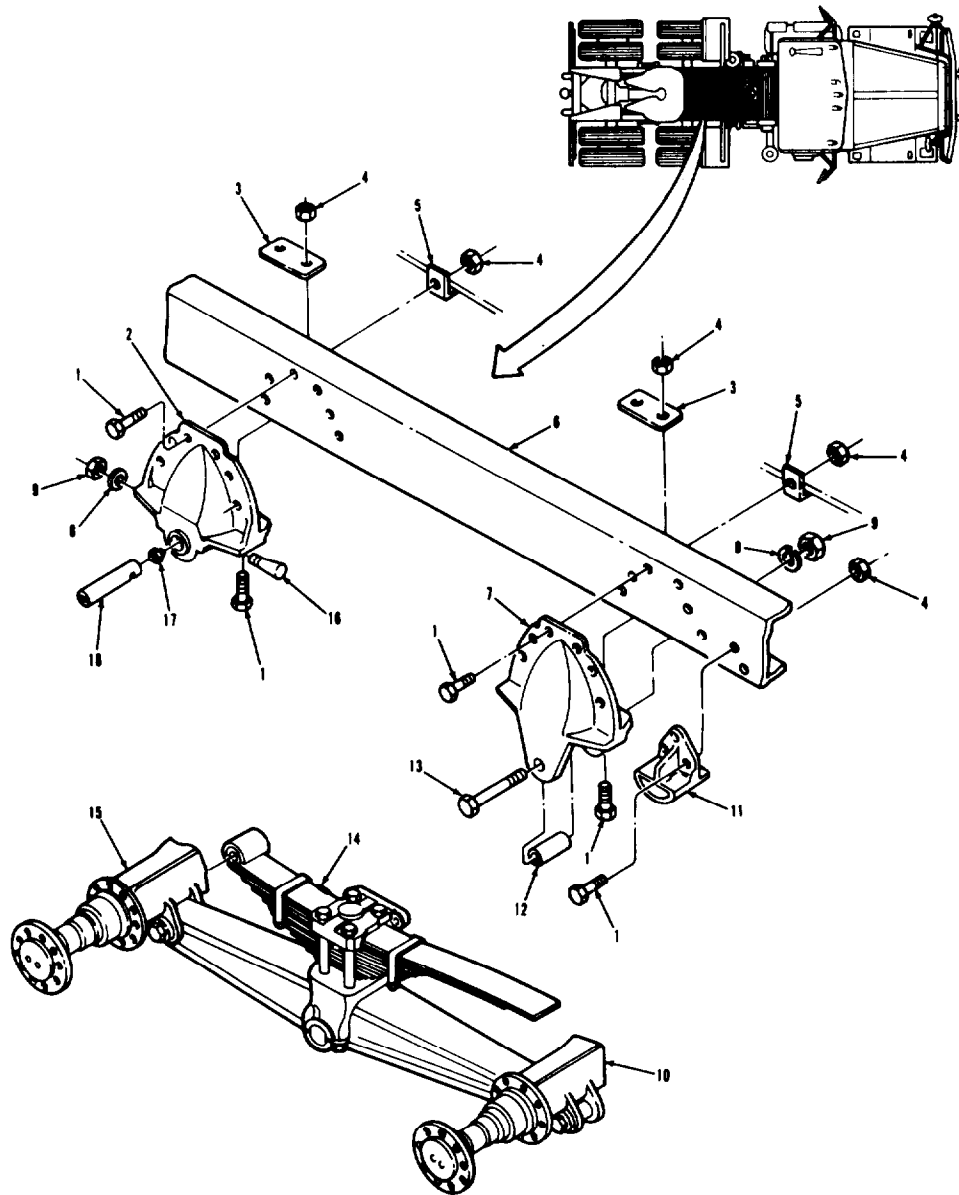
SPRINGS, SHOCK ABSORBERS, AND TORQUE RODS.

3-101. REAR TANDEM AXLE SPRING HANGER REPLACEMENT (Continued).

LOCATION/ITEM	ACTION	REMARKS
E. NO. 2 AND NO. 3 REAR SPRING HANGERS INSTALLATION (Continued).		
25. Plate (3).	Install between item (7) and bottom of item (6).	
26. Two screws (1) and nuts (4).	Install into items (7), (3), and (6), but do not tighten.	
27. Eight screws (1) and nuts (4).	Tighten.	
F. NO. 1 REAR SPRING HANGER INSTALLATION.		
28. Hanger (2), bracket (5), six screws and nuts (4).	Install on side of item (6), but do not tighten.	Force item (14) down if necessary to install item (2). Do not install two items (1) and (4) in bottom of items (2) and (6) until step 32.
29. Plate (3).	Install between item (2) and bottom of item (6).	
30. Two screws (1) and nuts (4).	Install into items (2), (3), and (6), but do not tighten.	
31. Eight screws (1) and nuts (4).	Tighten.	
32. Forward-rear axle assembly (15).	Using floor jack, raise or lower until pin hole in item (2) lines up hole in item (14).	
33. Pin (18).	Drive into items (2) and (14).	Make sure drawkey slot in item (18) is toward bottom of item (2). Adjust floor jack as necessary to install item (18).

SPRINGS, SHOCK ABSORBERS, AND TORQUE RODS.

3-101. REAR TANDEM AXLE SPRING HANGER REPLACEMENT (Continued).



LEGEND:

- | | |
|-----------------------------|--------------------------------|
| 1. HEXAGON HEAD SCREW (19) | 10. REAR-REAR AXLE ASSEMBLY |
| 2. NO. 1 REAR SPRING HANGER | 11. NO. 3 REAR SPRING HANGER |
| 3. SPACER PLATE (2) | 12. REBOUND BOLT SPACER |
| 4. HEXAGON HEAD NUT (19) | 13. REBOUND BOLT |
| 5. TUBE SUPPORT BRACKET (2) | 14. SPRING ASSEMBLY |
| 6. FRAME ASSEMBLY | 15. FORWARD-REAR AXLE ASSEMBLY |
| 7. NO. 2 REAR SPRING HANGER | 16. DRAWKEY ASSEMBLY |
| 8. LOCKWASHER (2) | 17. FITTING |
| 9. NUT (2) | 18. VEHICULAR LEAF PIN |

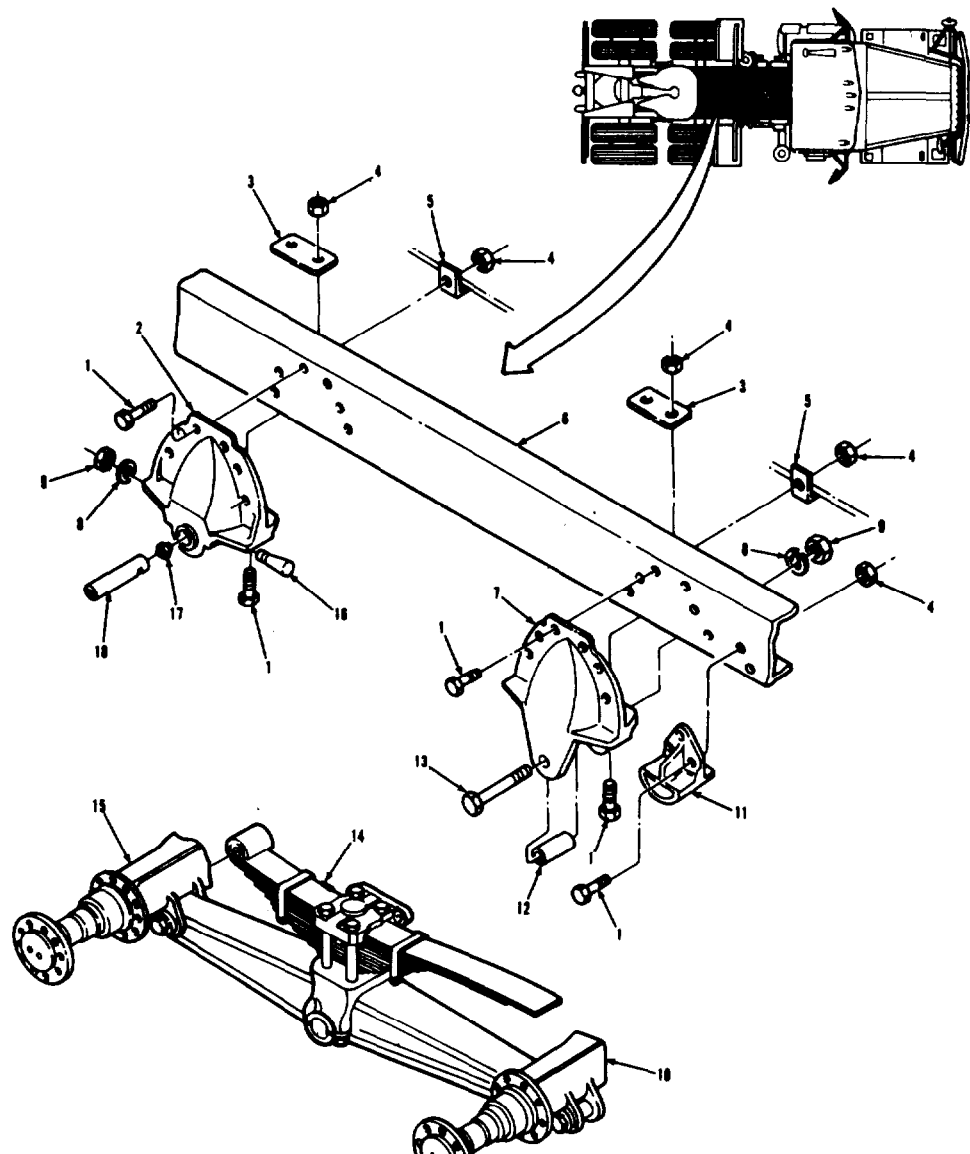
TA238484

SPRINGS, STOCK ABSORBERS, AND TORQUE RODS.

3-101. REAR TANDEM AXLE SPRING HANGER REPLACEMENT (Continued).		
LOCATION/ITEM	ACTION	REMARKS
F. NO. 1 REAR SPRING HANGER INSTALLATION (Continued).		
34. Fitting (17).	Install into item (18).	
35. Drawkey assembly (16).	Drive into item (2).	
36. Nut (9) and lockwasher (8).	Install on item (16), and tighten.	
37. Forward-rear axle assembly (15) and frame (6).	Remove floor jack, jack stands, and lifting device.	
NOTE		
Follow-on maintenance action required		
Install forward-rear axle stop (TM 9-2320-283-20).		
Install rear axle dual tires (TM 9-2320-283-10).		

SPRINGS, SHOCK ABSORBERS, AND TORQUE RODS.

3-101. REAR TANDEM AXLE SPRING HANGER REPLACEMENT (Continued).



LEGEND:

- | | |
|-----------------------------|--------------------------------|
| 1. HEXAGON HEAD SCREW (19) | 10. REAR-REAR AXLE ASSEMBLY |
| 2. NO. 1 REAR SPRING HANGER | 11. NO. 3 REAR SPRING HANGER |
| 3. SPACER PLATE (2) | 12. REBOUND BOLT SPACER |
| 4. HEXAGON HEAD NUT (19) | 13. REBOUND BOLT |
| 5. TUBE SUPPORT BRACKET (2) | 14. SPRING ASSEMBLY |
| 6. FRAME ASSEMBLY | 15. FORWARD-REAR AXLE ASSEMBLY |
| 7. NO. 2 REAR SPRING HANGER | 16. DRAWKEY ASSEMBLY |
| 8. LOCKWASHER (2) | 17. FITTING |
| 9. NUT (2) | 18. VEHICULAR LEAF PIN |

TA 238485

SPRINGS, SHOCK ABSORBERS, AND TORQUE RODS.

3-102. EQUALIZER BEAM REPLACEMENT.

THIS TASK COVERS

- a. Removal.
- b. Cleaning.
- c. Inspection.
- d. Installation.

INITIAL SETUP

APPLICABLE CONFIGURATIONS

All.

EQUIPMENT CONDITION
PARAGRAPH

9-2320-283-10.

CONDITION DESCRIPTION

Dual tires removed
from both sides of
forward-rear axle.

TEST EQUIPMENT

None.

SPECIAL TOOLS

None.

MATERIALS/PARTS (P/N)

None.

PERSONNEL REQUIRED

Two (MDS-63W).

SPECIAL ENVIRONMENTAL CONDITIONS

None.

REFERENCE (TM)

TM 9-2320-283-10.

GENERAL SAFETY INSTRUCTIONS

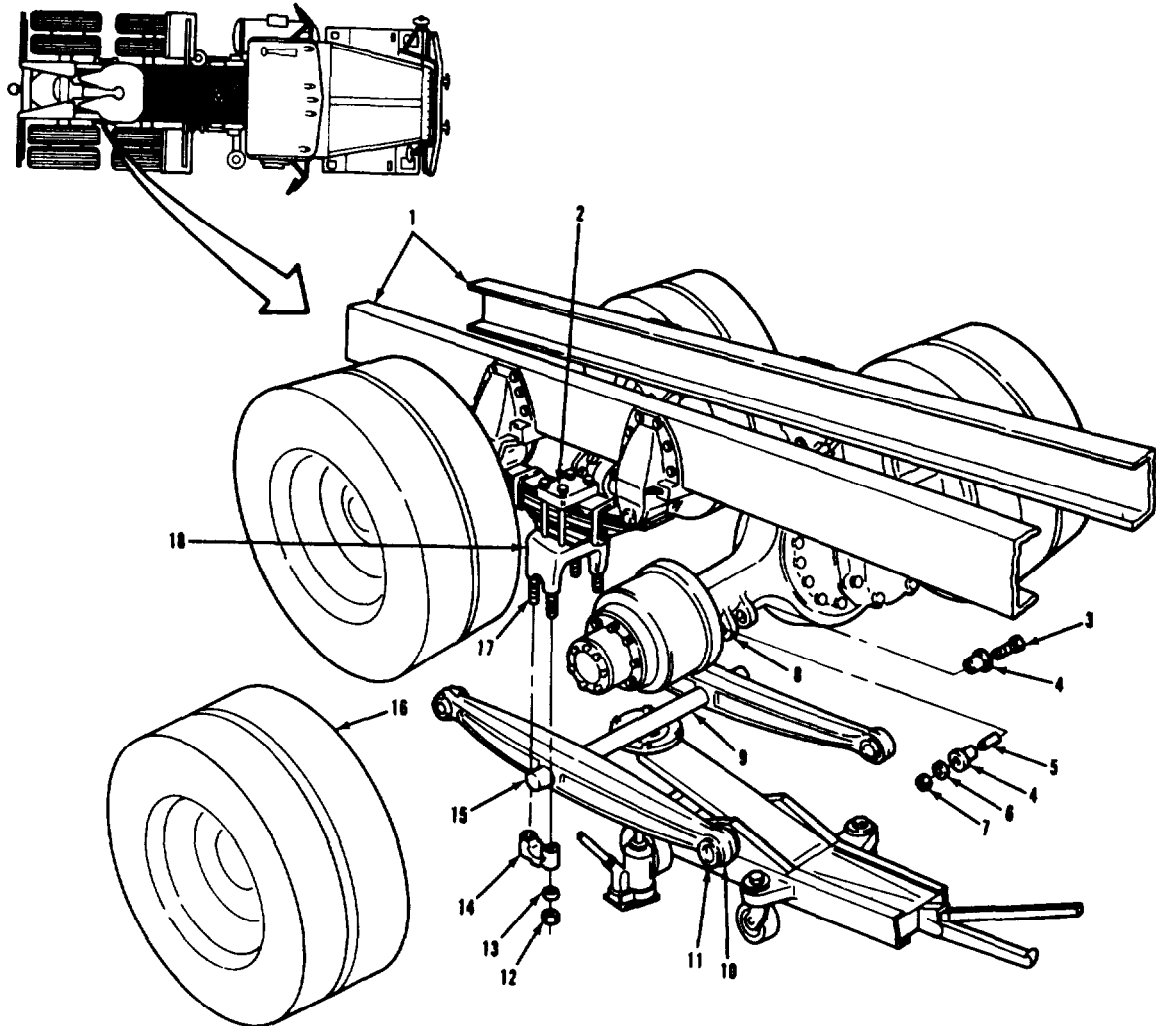
Block front wheels.

TROUBLESHOOTING REFERENCES

None.

SPRINGS, SHOCK ABSORBERS, AND TORQUE RODS.

3-102. EQUALIZER BEAM REPLACEMENT (Continued).



LEGEND:

- | | |
|------------------------------|-------------------------------|
| 1. FRAME | 10. EQUALIZER BEAM (2) |
| 2. SPRING ASSEMBLY (2) | 11. END SLEEVE BUSHING (4) |
| 3. HEXAGON HEAD SCREW (4) | 12. HEXAGON HEAD NUT (8) |
| 4. BEAM END ADAPTER (8) | 13. PLAIN WASHER (8) |
| 5. ADAPTER SLEEVE (4) | 14. SADDLE CAP (4) |
| 6. HARDENED PLAIN WASHER (4) | 15. CENTER SLEEVE BUSHING (2) |
| 7. HEXAGON HEAD NUT (4) | 16. INSIDE DUAL TIRE (2) |
| 8. AXLE ASSEMBLY (2) | 17. HEXAGON HEAD SCREW (8) |
| 9. CROSS TUBE | 18. SADDLE (2) |

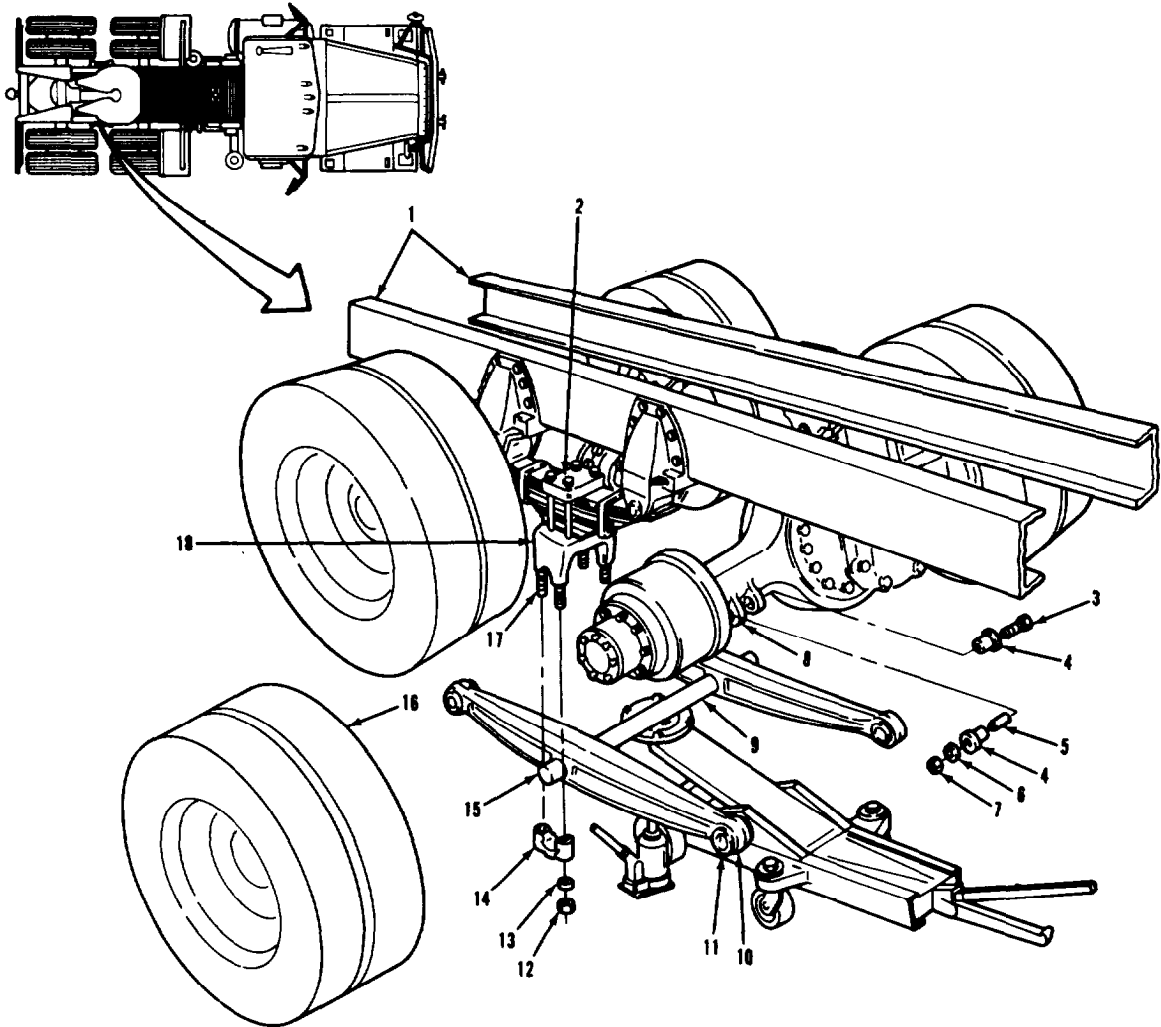
TA238486

SPRINGS, SHOCK ABSORBERS, AND TORQUE RODS.

3-102. EQUALIZER BEAM REPLACEMENT (Continued).		
LOCATION/ITEM	ACTION	REMARKS
A. REMOVAL.		
1. Frame (1).	<p>a. Using suitable lifting device, lift until weight of vehicle is off two items (2).</p> <p>b. Support with jack stands.</p>	<p>Use jack stands with a minimum ten ton capacity.</p>
2. Two tires (16).	Turn around and reinstall one on each end of item (8).	This is done to prevent item (8) from dropping when items (9) and (10) are removed.
<p>NOTE</p> <p>Repeat steps 3 thru 5 for each of the four equalizer beam ends.</p>		
3. Nut (7), washer (6), and screw (3).	Remove from two items (4).	
4. End of beam (10).	Using hydraulic jack, lift until weight is off item (8).	This is done so that it will be easier to remove two items (4) and item (5).
5. Two adapters (4) and sleeve (5).	Remove from end of item (10).	It may be necessary to adjust hydraulic jack so that two items (4) and item (5) can be removed.
6. Tube (9).	Support in center with floor jack.	Make sure item (9) is centered on floor jack before doing step 7.

SPRINGS, SHOCK ABSORBERS, AND TORQUE RODS.

3-102. EQUALIZER BEAM REPLACEMENT (Continued).



LEGEND:

- | | |
|------------------------------|-------------------------------|
| 1. FRAME | 10. EQUALIZER BEAM (2) |
| 2. SPRING ASSEMBLY (2) | 11. END SLEEVE BUSHING (4) |
| 3. HEXAGON HEAD SCREW (4) | 12. HEXAGON HEAD NUT (8) |
| 4. BEAM END ADAPTER (8) | 13. PLAIN WASHER (8) |
| 5. ADAPTER SLEEVE (4) | 14. SADDLE CAP (4) |
| 6. HARDENED PLAIN WASHER (4) | 15. CENTER SLEEVE BUSHING (2) |
| 7. HEXAGON HEAD NUT (4) | 16. INSIDE DUAL TIRE (2) |
| 8. AXLE ASSEMBLY (2) | 17. HEXAGON HEAD SCREW (8) |
| 9. CROSS TUBE | 18. SADDLE (2) |

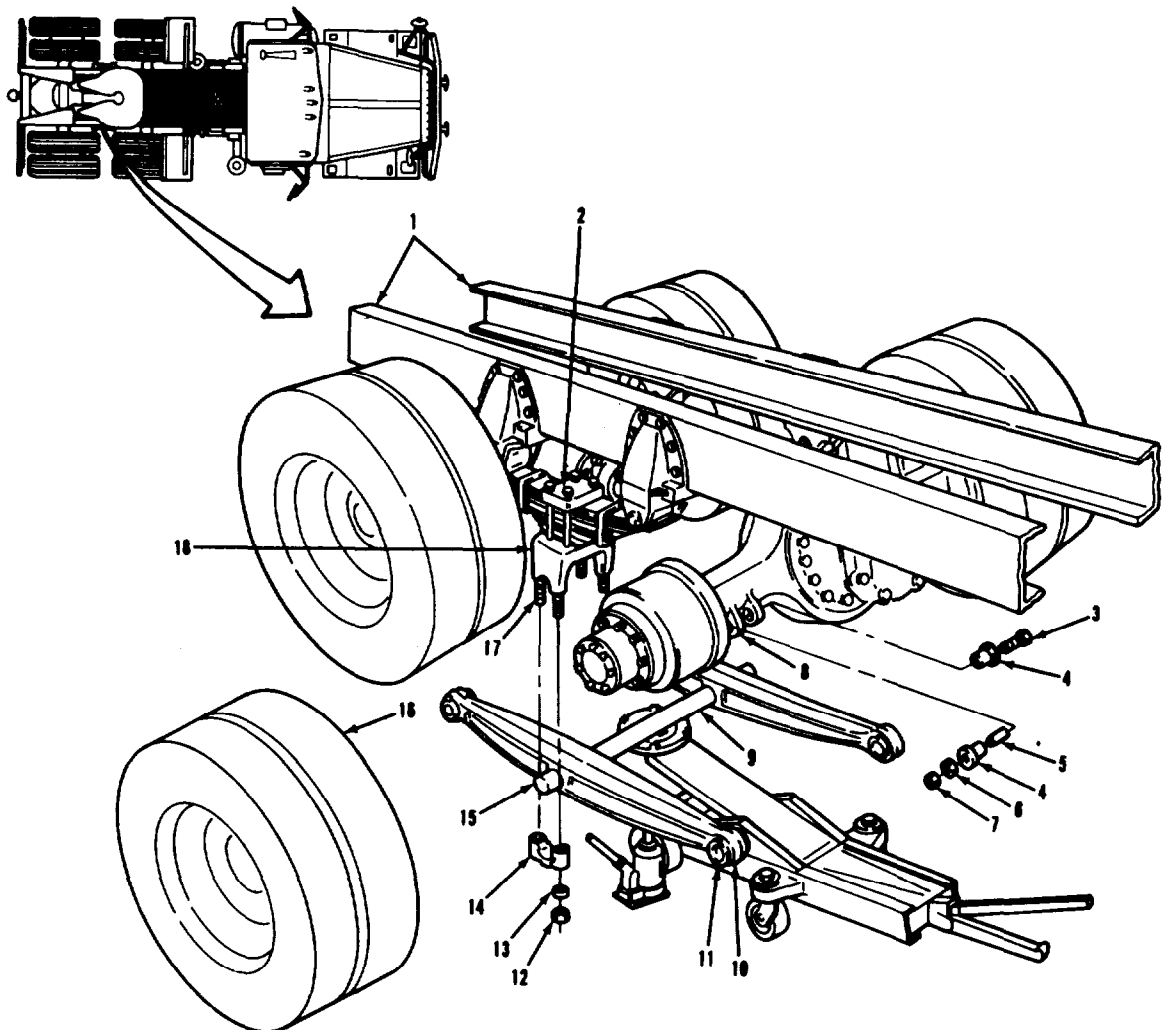
TA 238487

SPRINGS, SHOCK ABSORBERS, AND TORQUE RODS.

3-102. EQUALIZER BEAM REPLACEMENT (Continued).		
LOCATION/ITEM	ACTION	REMARKS
<p>WARNING</p> <p>Equalizer beams and cross tube are heavy. To avoid injury, be very careful during removal.</p>		
7. Eight nuts (12) and washers (13), and four caps (14).	Remove from items (15), (17), and (18).	Have assistant hold items (9) and (10) steady during this step.
8. Tube (9) and two beams (10) (assembled).	Using floor jack, lower and remove from vehicle.	Have assistant help steady items (9) and (10) during removal. Roll items (9) and (10) under item (8) to remove.
9. Two beams (10).	Remove from item (9).	Have assistant help if necessary.
<p>B. CLEANING.</p>		
10. All parts.	Clean.	Refer to paragraph 3-4.
<p>C. INSPECTION.</p>		
11. All parts.	Inspect.	Refer to paragraph 3-5.
12. Six bushings (11) AND (15).	Inspect for damage and wear.	Replace items (11) and (15) if damaged or worn (refer to paragraph 3-103).

SPRINGS, SHOCK ABSORBERS, AND TORQUE RODS.

3-102. EQUALIZER BEAM REPLACEMENT (Continued).



LEGEND:

- | | |
|------------------------------|-------------------------------|
| 1. FRAME | 10. EQUALIZER BEAM (2) |
| 2. SPRING ASSEMBLY (2) | 11. END SLEEVE BUSHING (4) |
| 3. HEXAGON HEAD SCREW (4) | 12. HEXAGON HEAD NUT (8) |
| 4. BEAM END ADAPTER (8) | 13. PLAIN WASHER (8) |
| 5. ADAPTER SLEEVE (4) | 14. SADDLE CAP (4) |
| 6. HARDENED PLAIN WASHER (4) | 15. CENTER SLEEVE BUSHING (2) |
| 7. HEXAGON HEAD NUT (4) | 16. INSIDE DUAL TIRE (2) |
| 8. AXLE ASSEMBLY (2) | 17. HEXAGON HEAD SCREW (8) |
| 9. CROSS TUBE | 18. SADDLE (2) |

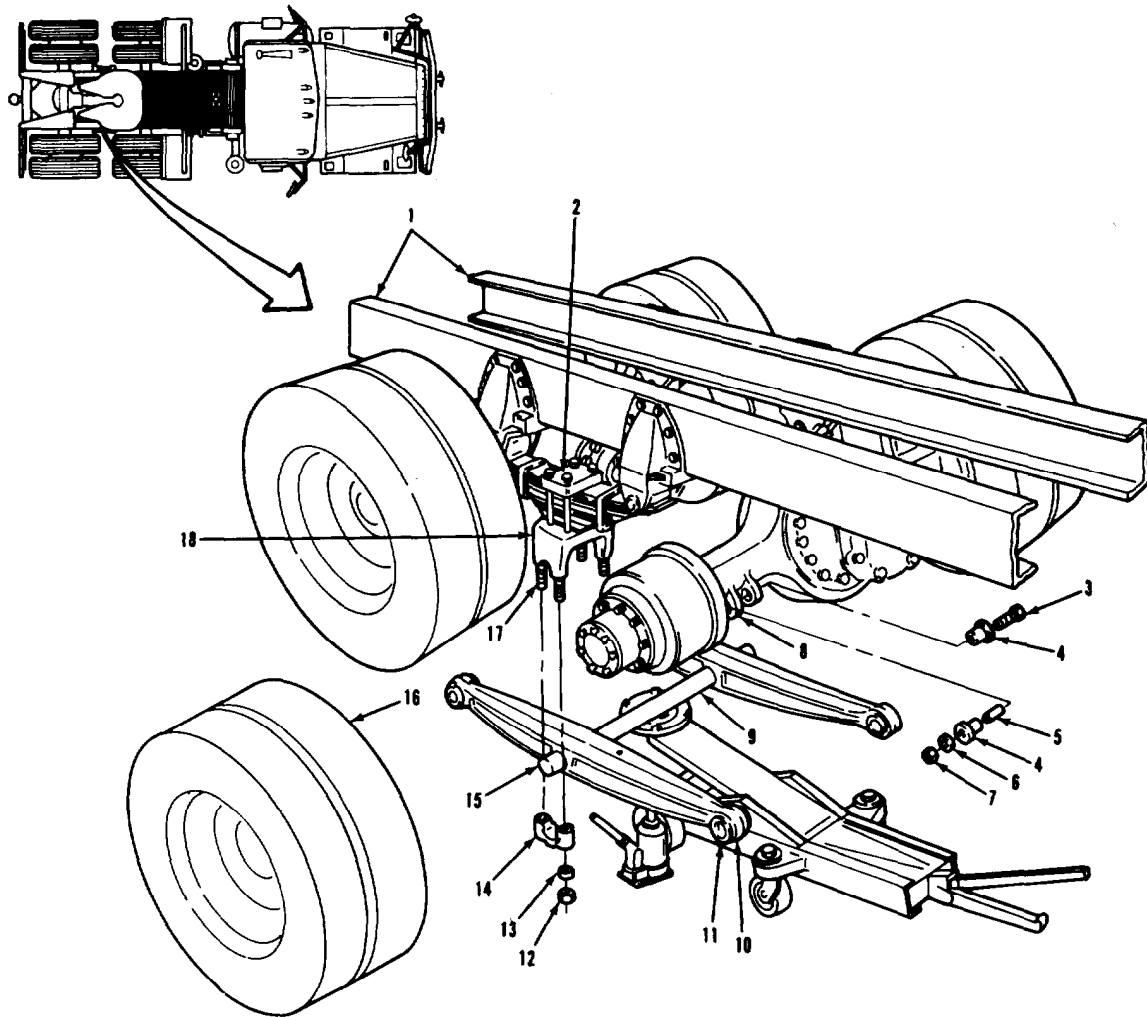
TA238488

SPRINGS, SHOCK ABSORBERS, AND TORQUE RODS.

3-102. EQUALIZER BEAM REPLACEMENT (Continued).		
LOCATION/ITEM	ACTION	REMARKS
D. INSTALLATION.		
<u>WARNING</u>		
Equalizer beams and cross tube are heavy. To avoid injury, be very careful during installation.		
13. Tube (9).	Position on floor jack.	
14. Two beams (10).	Install on item (9).	Have assistant help if necessary. When both items (10) are installed, position item (9) on floor jack so that weight is balanced.
15. Tube (9) and two beams (10).	Using floor jack, position under vehicle and raise until two items (15) are up against two items (18).	
16. Four caps (14), and eight nuts (12) and washers (13).	Install on items (15), (17), and (18).	Torque items (12) to 225-275 lb-ft.
NOTE		
Repeat steps 17 thru 19 for each of the four equalizer beams ends.		
17. End of beam (10).	Using hydraulic jack, lift until bushing bore of item (10) is lined up with center of bracket in item (8).	

SPRINGS, SHOCK ABSORBERS, AND TORQUE RODS.

3-102. EQUALIZER BEAM REPLACEMENT (Continued).



LEGEND:

- | | |
|------------------------------|-------------------------------|
| 1. FRAME | 10. EQUALIZER BEAM (2) |
| 2. SPRING ASSEMBLY (2) | 11. END SLEEVE BUSHING (4) |
| 3. HEXAGON HEAD SCREW (4) | 12. HEXAGON HEAD NUT (8) |
| 4. BEAM END ADAPTER (8) | 13. PLAIN WASHER (8) |
| 5. ADAPTER SLEEVE (4) | 14. SADDLE CAP (4) |
| 6. HARDENED PLAIN WASHER (4) | 15. CENTER SLEEVE BUSHING (2) |
| 7. HEXAGON HEAD NUT (4) | 16. INSIDE DUAL TIRE (2) |
| 8. AXLE ASSEMBLY (2) | 17. HEXAGON HEAD SCREW (8) |
| 9. CROSS TUBE | 18. SADDLE (2) |

TA 238489

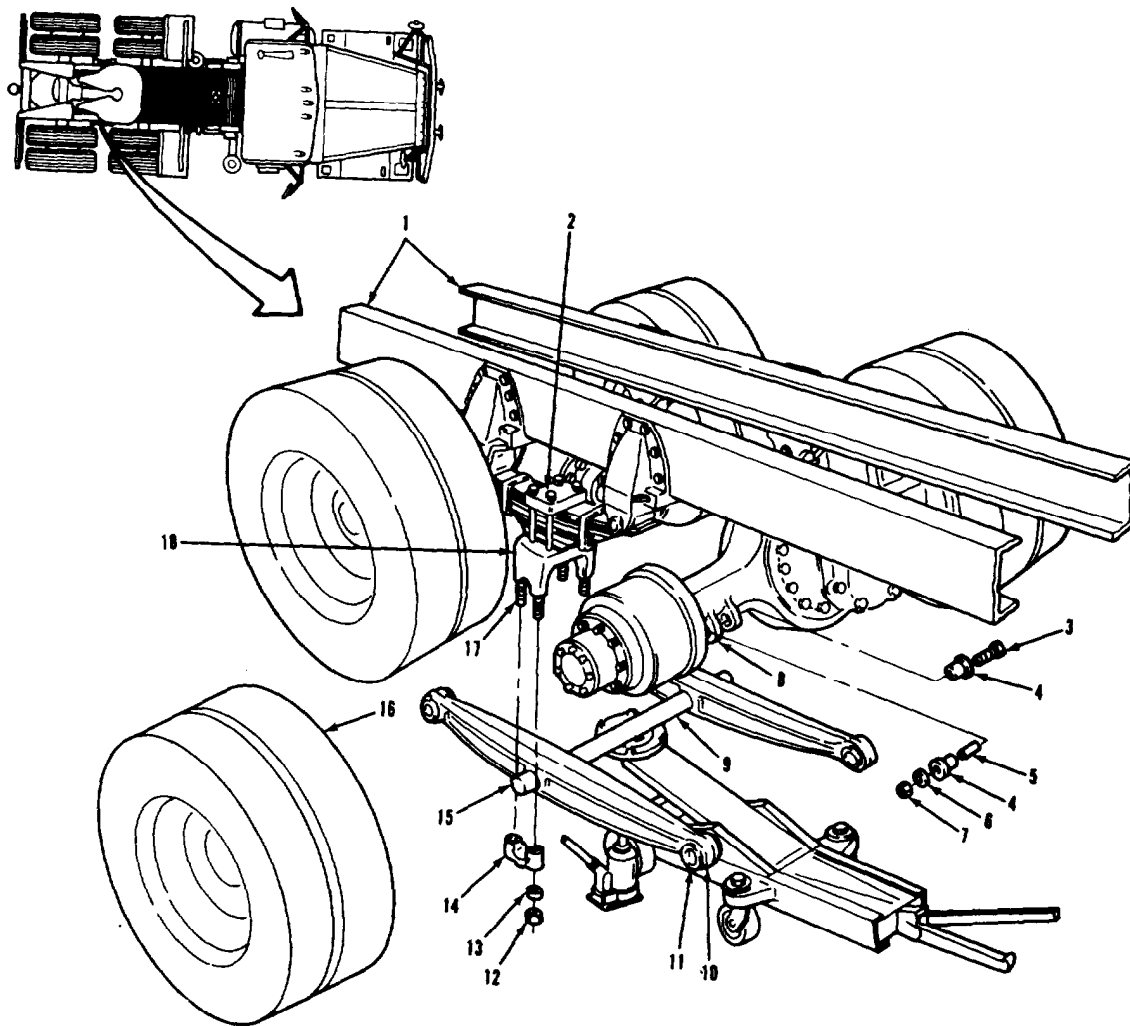
SPRINGS, SHOCK ABSORBERS, AND TORQUE RODS.

3-102. EQUALIZER BEAM REPLACEMENT (Continued).

LOCATION/ITEM	ACTION	REMARKS
D. INSTALLATION (Continued).		
18. Sleeve (5) and two adapters (4).	Install into items (8) and (10).	Adjust hydraulic jack as necessary to install item (5) and two items (4).
19. Nut (7), washer (6), and screw (3).	Install into two item (4).	Torque item (7) to 210-240 lb-ft.
20. Two tires (16).	Remove.	
21. Tube (9), two beams (10), and frame II).	Remove floor jack, hydraulic jack, and jack stands.	
NOTE		
Follow-on maintenance action required:		
Install dual tires on both sides of forward-rear axle (TM 9-2320-283-10).		

SPRINGS, SHOCK ABSORBERS, AND TORQUE RODS.

3-102. EQUALIZER BEAM REPLACEMENT (Continued).



LEGEND:

- | | |
|------------------------------|-------------------------------|
| 1. FRAME | 10. EQUALIZER BEAM (2) |
| 2. SPRING ASSEMBLY (2) | 11. END SLEEVE BUSHING (4) |
| 3. HEXAGON HEAD SCREW (4) | 12. HEXAGON HEAD NUT (8) |
| 4. BEAM END ADAPTER (8) | 13. PLAIN WASHER (8) |
| 5. ADAPTER SLEEVE (4) | 14. SADDLE CAP (4) |
| 6. HARDENED PLAIN WASHER (4) | 15. CENTER SLEEVE BUSHING (2) |
| 7. HEXAGON HEAD NUT (4) | 16. INSIDE DUAL TIRE (2) |
| 8. AXLE ASSEMBLY (2) | 17. HEXAGON HEAD SCREW (8) |
| 9. CROSS TUBE | 18. SADDLE (2) |

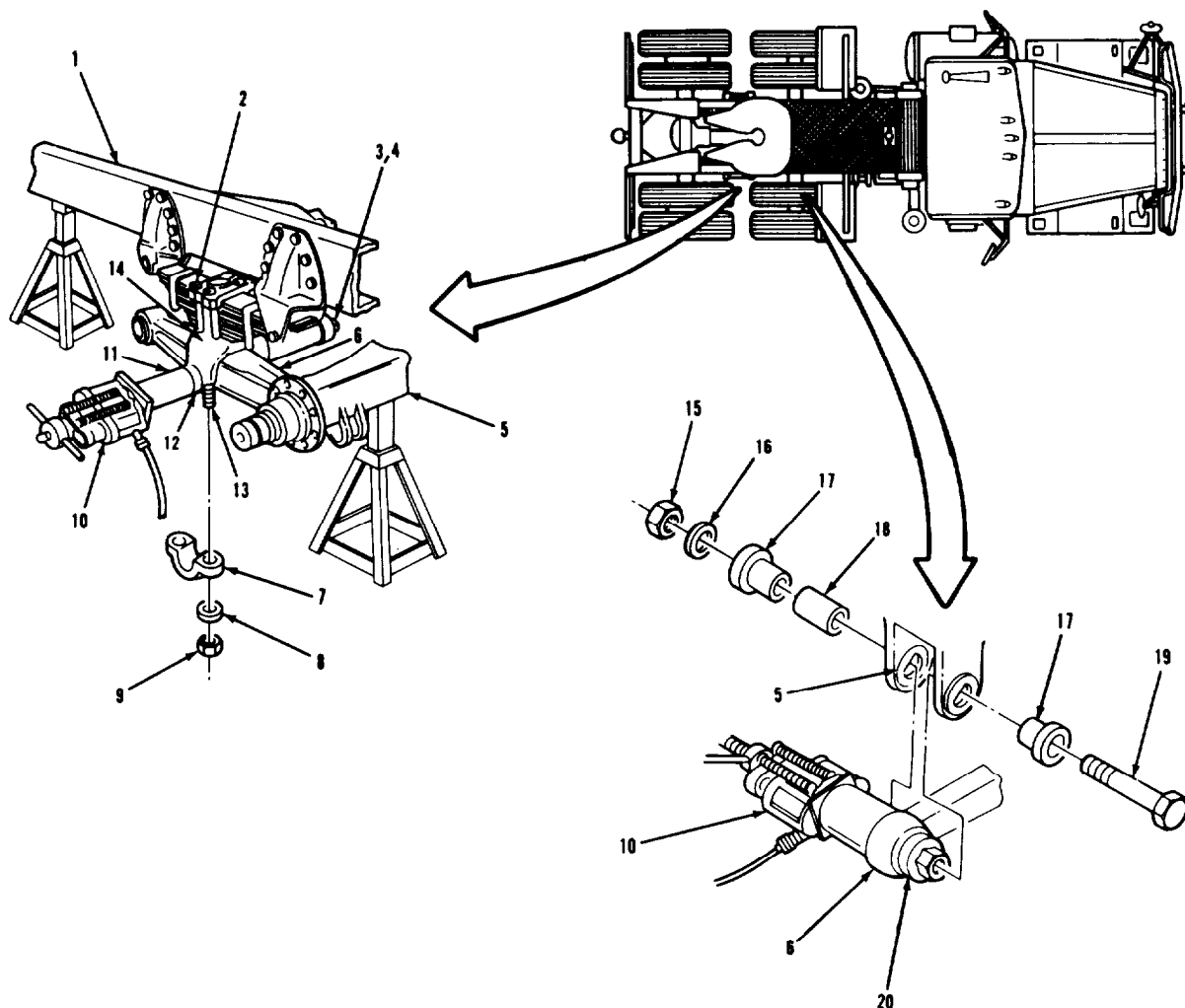
TA238490

SPRINGS, SHOCK ABSORBERS, AND TORQUE RODS.

3-103. EQUALIZER BEAM REPAIR.		
<u>THIS TASK COVERS</u>		
<ul style="list-style-type: none"> a. Center Bushing Replacement. b. End Bushing Replacement. 		
<u>INITIAL SETUP</u>		
<u>APPLICABLE CONFIGURATIONS</u>	<u>EQUIPMENT CONDITION PARAGRAPH</u>	<u>CONDITION DESCRIPTION</u>
All.	None.	None.
<u>TEST EQUIPMENT</u>		
None.		
<u>SPECIAL TOOLS</u>		
Equalizing beam service set (45225) Y-850-A.		Removing adapter (45225) Y-861.
Receiving tube (45225) Y-860.		Installing adapter (45225) Y-862.
<u>MATERIALS/PARTS (P/N)</u>		
Sleeve bushing (center; as required) (28158) 5919.		
Sleeve bushing (end; as required) (28158) 6572.		
<u>PERSONNEL REQUIRED</u>	<u>SPECIAL ENVIRONMENTAL CONDITIONS</u>	
One (MOS-63W).	Work area clean and away from blowing dirt and dust.	
<u>REFERENCES (TM)</u>	<u>GENERAL SAFETY INSTRUCTIONS</u>	
TM 9-2320-283-10. TM 9-2320-283-34P.	None.	
<u>TROUBLESHOOTING REFERENCES</u>		
None.		

SPRINGS, SHOCK ABSORBERS, AND TORQUE RODS.

3-103. EQUALIZER BEAM REPAIR (Continued).



LEGEND:

- | | |
|---------------------------------|-----------------------------|
| 1. FRAME | 11. RECEIVING TUBE |
| 2. SPRING ASSEMBLY | 12. SLEEVE BUSHING (CENTER) |
| 3. REMOVING ADAPTER | 13. HEXAGON HEAD SCREW (4) |
| 4. INSTALLING ADAPTER | 14. SADDLE |
| 5. AXLE ASSEMBLY | 15. HEXAGON HEAD NUT |
| 6. EQUALIZER BEAM | 16. HARDENED PLAIN WASHER |
| 7. SADDLE CAP (2) | 17. BEAM END ADAPTER (2) |
| 8. PLAIN WASHER (4) | 18. ADAPTER SLEEVE |
| 9. HEXAGON HEAD NUT (4) | 19. HEXAGON HEAD SCREW |
| 10. EQUALIZING BEAM SERVICE SET | 20. SLEEVE BUSHING (END) |

TA 238491

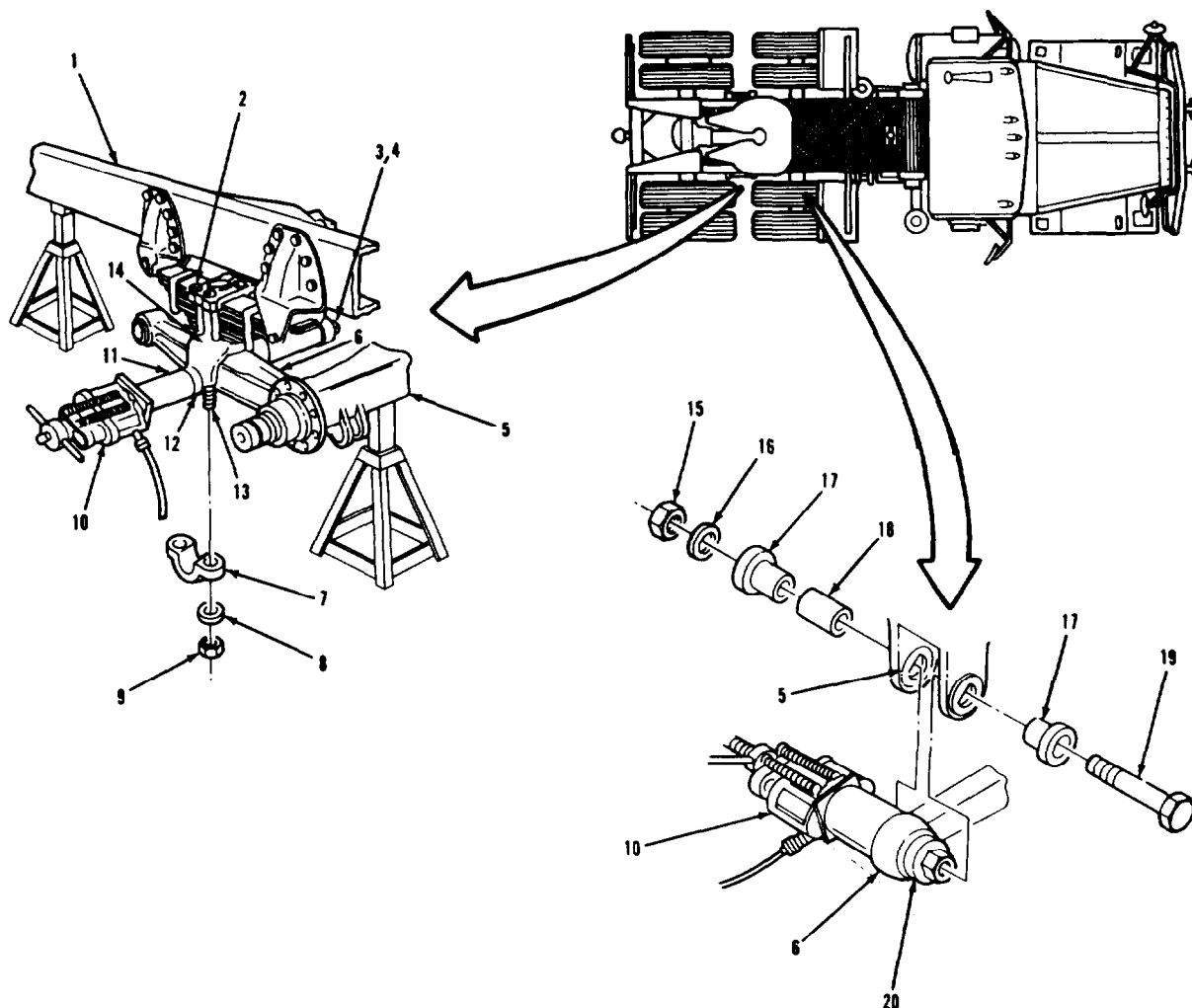
SPRINGS, SHOCK ABSORBERS, AND TORQUE RODS.

3-103. EQUALIZER BEAM REPAIR (Continued).

LOCATION/ITEM	ACTION	REMARKS
NOTE		
<p>Repair of equalizer beam is limited to replacement of bushings. Use this procedure to replace any bushing on either equalizer beam. The tools shown in this procedure can be used with the equalizer beam on or off the vehicle.</p>		
A. CENTER BUSHING REPLACEMENT.		
1. Rear of frame (1).	<p>a. Using suitable lifting device, raise until weight of vehicle is off item (2).</p> <p>b. Support with jack stands.</p>	<p>Use jack stands with a minimum ten ton capacity.</p>
2. Beam (6).	<p>Support with suitable hydraulic jack.</p>	
3. Four nuts (9) and washers (8), and two caps (7).	<p>Remove from items (12), (13), and (14).</p>	
4. Beam (6).	<p>Using hydraulic jack, lower away from item (14).</p>	
5. Bushing (12).	<p>Using items (10), (11), and (3), press out of item (6).</p>	<p>Discard item (12).</p>
6. Beam (6).	<p>Clean and inspect center bushing bore.</p>	<p>Refer to paragraph 3-4 and 3-5. Be sure to check for scoring and wear.</p>

SPRINGS, SHOCK ABSORBERS, AND TORQUE RODS.

3-103. EQUALIZER BEAM REPAIR (Continued).



LEGEND:

- | | |
|---------------------------------|-----------------------------|
| 1. FRAME | 11. RECEIVING TUBE |
| 2. SPRING ASSEMBLY | 12. SLEEVE BUSHING (CENTER) |
| 3. REMOVING ADAPTER | 13. HEXAGON HEAD SCREW (4) |
| 4. INSTALLING ADAPTER | 14. SADDLE |
| 5. AXLE ASSEMBLY | 15. HEXAGON HEAD NUT |
| 6. EQUALIZER BEAM | 16. HARDENED PLAIN WASHER |
| 7. SADDLE CAP (2) | 17. BEAM END ADAPTER (2) |
| 8. PLAIN WASHER (4) | 18. ADAPTER SLEEVE |
| 9. HEXAGON HEAD NUT (4) | 19. HEXAGON HEAD SCREW |
| 10. EQUALIZING BEAM SERVICE SET | 20. SLEEVE BUSHING (END) |

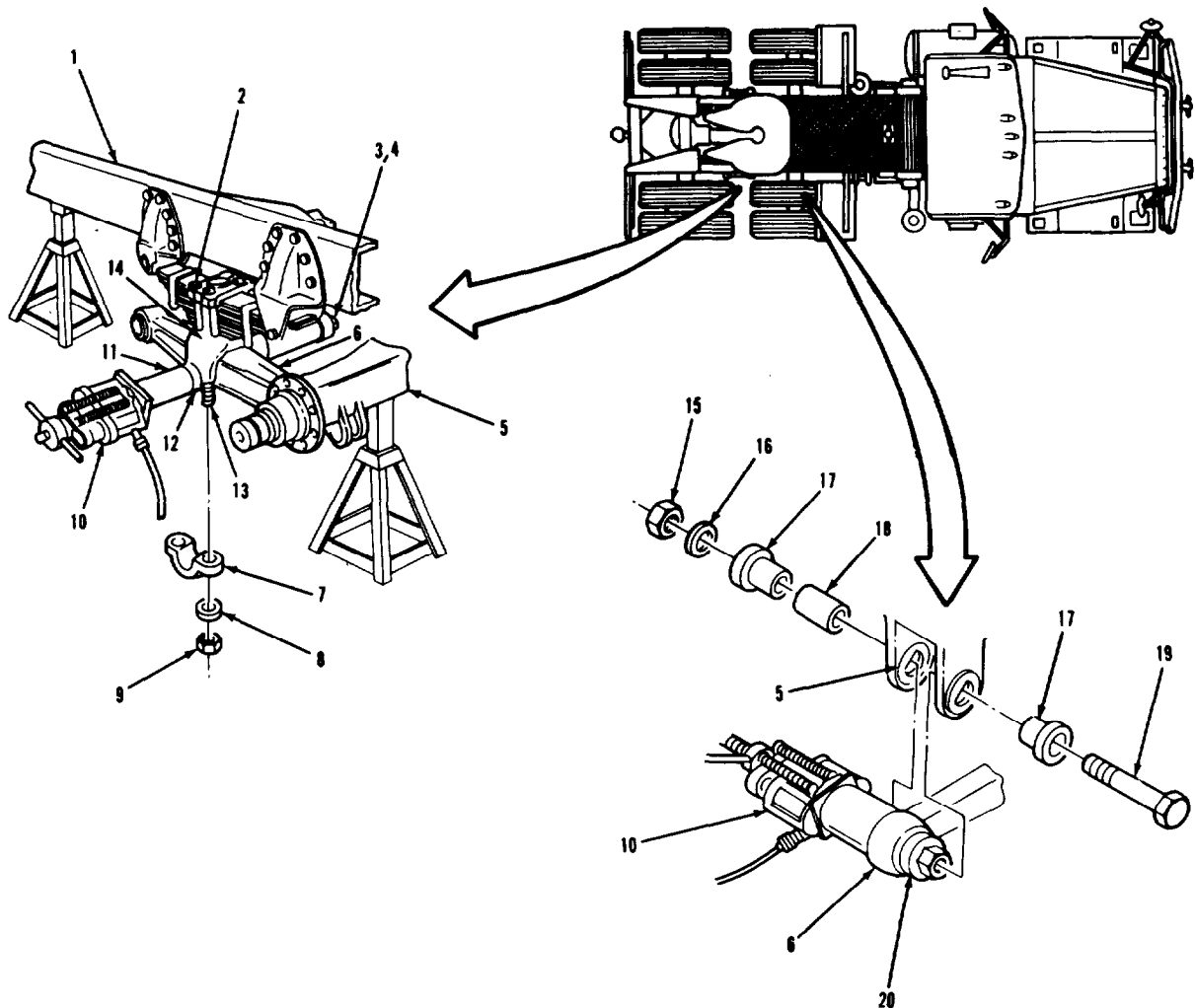
TA 238492

SPRINGS, SHOCK ABSORBERS, AND TORQUE RODS.

3-103. EQUALIZER BEAM REPAIR (Continued).		
LOCATION/ITEM	ACTION	REMARKS
A. CENTER BUSHING REPLACEMENT (Continued).		
7. New bushing (12).	Using items (10), (11), and (4), press into item (6).	Make sure item (12) is centered in item (6).
8. Beam (6).	Using hydraulic jack, raise until items (6) and (12) are against item (14).	
9. Two caps (7), four nuts (9), and washers (8).	Install onto items (12), (13), and (14).	
10. Beam (6) and frame (1).	Remove hydraulic jack and jack stands.	
B. END BUSHING REPLACEMENT.		
11. Dual tires over bushing being replaced.	Remove.	Refer to TM 9-2320-283-10.
12. End of axle assembly (5).	Support with jack stand.	
13. End of beam (6).	Support with hydraulic jack.	
14. Nut (15), washer (16), and screw (19).	Remove from two items (17).	
15. Two adapters (17) and sleeve (18).	Remove from items (5) and (6).	Adjust hydraulic jack as needed to remove two items (17) and item (18).

SPRINGS, SHOCK ABSORBERS, AND TORQUE RODS.

3-103. EQUALIZER BEAM REPAIR (Continued).



LEGEND:

- | | |
|---------------------------------|-----------------------------|
| 1. FRAME | 11. RECEIVING TUBE |
| 2. SPRING ASSEMBLY | 12. SLEEVE BUSHING (CENTER) |
| 3. REMOVING ADAPTER | 13. HEXAGON HEAD SCREW (4) |
| 4. INSTALLING ADAPTER | 14. SADDLE |
| 5. AXLE ASSEMBLY | 15. HEXAGON HEAD NUT |
| 6. EQUALIZER BEAM | 16. HARDENED PLAIN WASHER |
| 7. SADDLE CAP (2). | 17. BEAM END ADAPTER (2) |
| 8. PLAIN WASHER (4) | 18. ADAPTER SLEEVE |
| 9. HEXAGON HEAD NUT (4) | 19. HEXAGON HEAD SCREW |
| 10. EQUALIZING BEAM SERVICE SET | 20. SLEEVE BUSHING (END) |

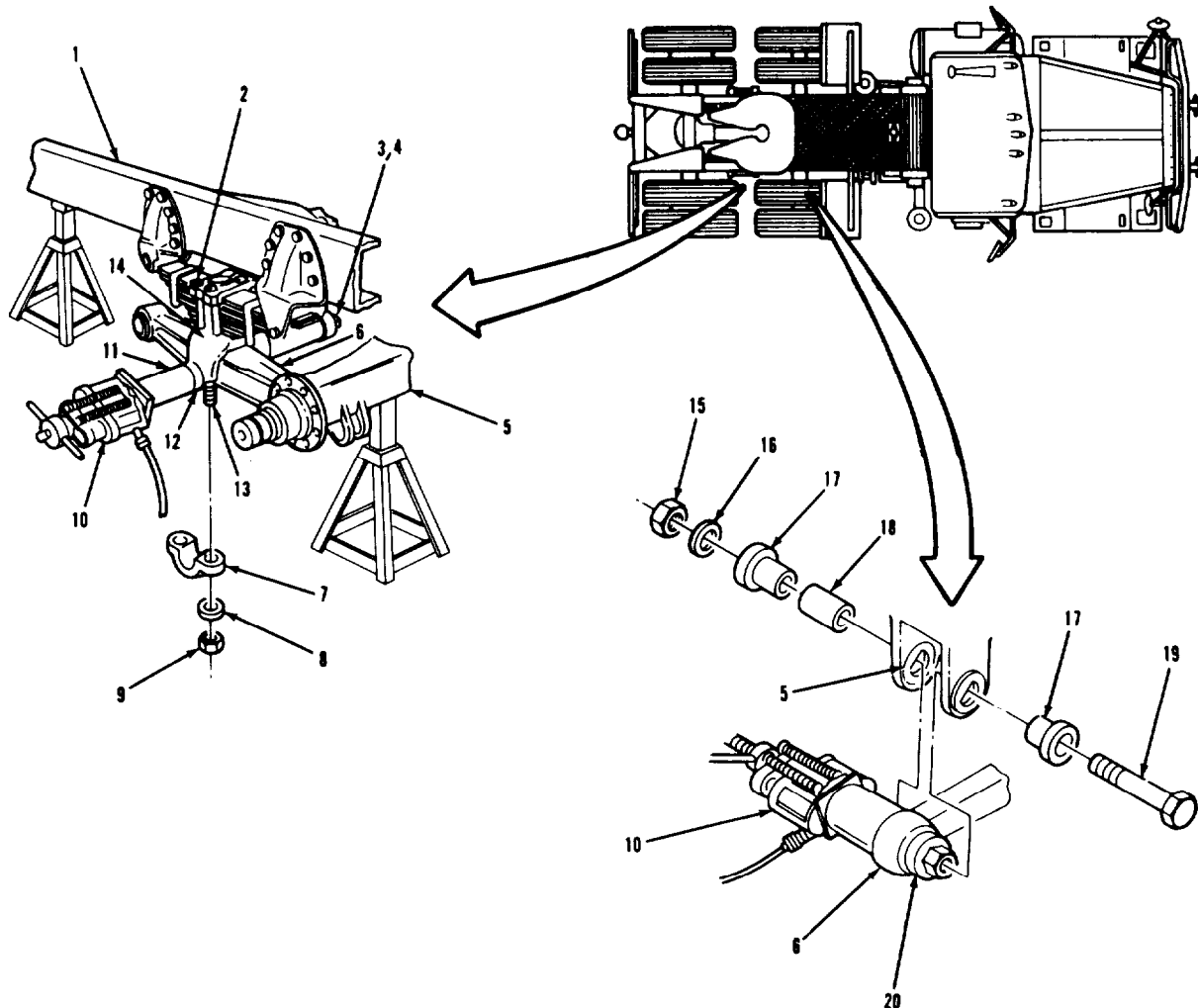
TA238493

SPRINGS, SHOCK ABSORBERS, AND TORQUE RODS.

3-103. EQUALIZER BEAM REPAIR (Continued).		
LOCATION/ITEM	ACTION	REMARKS
B. END BUSHING REPLACEMENT (Continued).		
16. End of beam (6).	Using hydraulic jack, lower away from item (5).	
17. Bushing (20).	Using item (10), press out of item (6).	Discard item (20).
18. Beam (6).	Clean and inspect end bushing bore.	Refer to paragraphs 3-4 and 3-5. Be sure to check for scoring and wear.
19. New bushing (20).	Using item (10), press into item (6).	Make sure item (20) is centered in item (6).
20. End of beam (6).	Using hydraulic jack, raise until center of item (20) is lined up with bracket in item (5).	
21. Sleeve (18) and two adapters (17).	Install into items (5) and (6).	Adjust hydraulic jack as needed to install two items (18) and item (17).
22. Screw (19), washer (16), and nut (15).	Install into two items (17).	Torque nut to 210-240 lb-ft.
23. Beam (6) and axle assembly (5).	Remove hydraulic jack and jack stand.	
24. Dual tires.	Install.	Refer to TM 9-2320-283-10.
NOTE		
Follow-on maintenance action required:		
None.		

SPRINGS, SHOCK ABSORBERS, AND TORQUE RODS.

3-103. EQUALIZER BEAM REPAIR (Continued).



LEGEND:

- | | |
|---------------------------------|-----------------------------|
| 1. FRAME | 11. RECEIVING TUBE |
| 2. SPRING ASSEMBLY | 12. SLEEVE BUSHING (CENTER) |
| 3. REMOVING ADAPTER | 13. HEXAGON HEAD SCREW (4) |
| 4. INSTALLING ADAPTER | 14. SADDLE |
| 5. AXLE ASSEMBLY | 15. HEXAGON HEAD NUT |
| 6. EQUALIZER BEAM | 16. HARDENED PLAIN WASHER |
| 7. SADDLE CAP (2) | 17. BEAM END ADAPTER (2) |
| 8. PLAIN WASHER (4) | 18. ADAPTER SLEEVE |
| 9. HEXAGON HEAD NUT (4) | 19. HEXAGON HEAD SCREW |
| 10. EQUALIZING BEAM SERVICE SET | 20. SLEEVE BUSHING (END) |

TA238494

SPRINGS, SHOCK ABSORBERS, AND TORQUE RODS.

3-104. FRONT SPRING REPLACEMENT.

THIS TASK COVERS

- a. Removal.
- b. Cleaning.
- c. Inspection.
- d. Installation.

INITIAL SETUP

<u>APPLICABLE CONFIGURATIONS</u>	<u>EQUIPMENT CONDITION PARAGRAPH</u>	<u>CONDITION DESCRIPTION</u>
All.	TM 9-2320-283-10	Front tire removed.
	TM 9-2320-283-20.	Shock absorber removed.

TEST EQUIPMENT
None.

SPECIAL TOOLS
None.

MATERIALS/PARTS (P/N)
Cotter pin (3)
(24617) 1034111.
Special shackle pin screw (3)
(34623) MB279-20000.

PERSONNEL REQUIRED
One (MOS-63W).

SPECIAL ENVIRONMENTAL CONDITIONS
None.

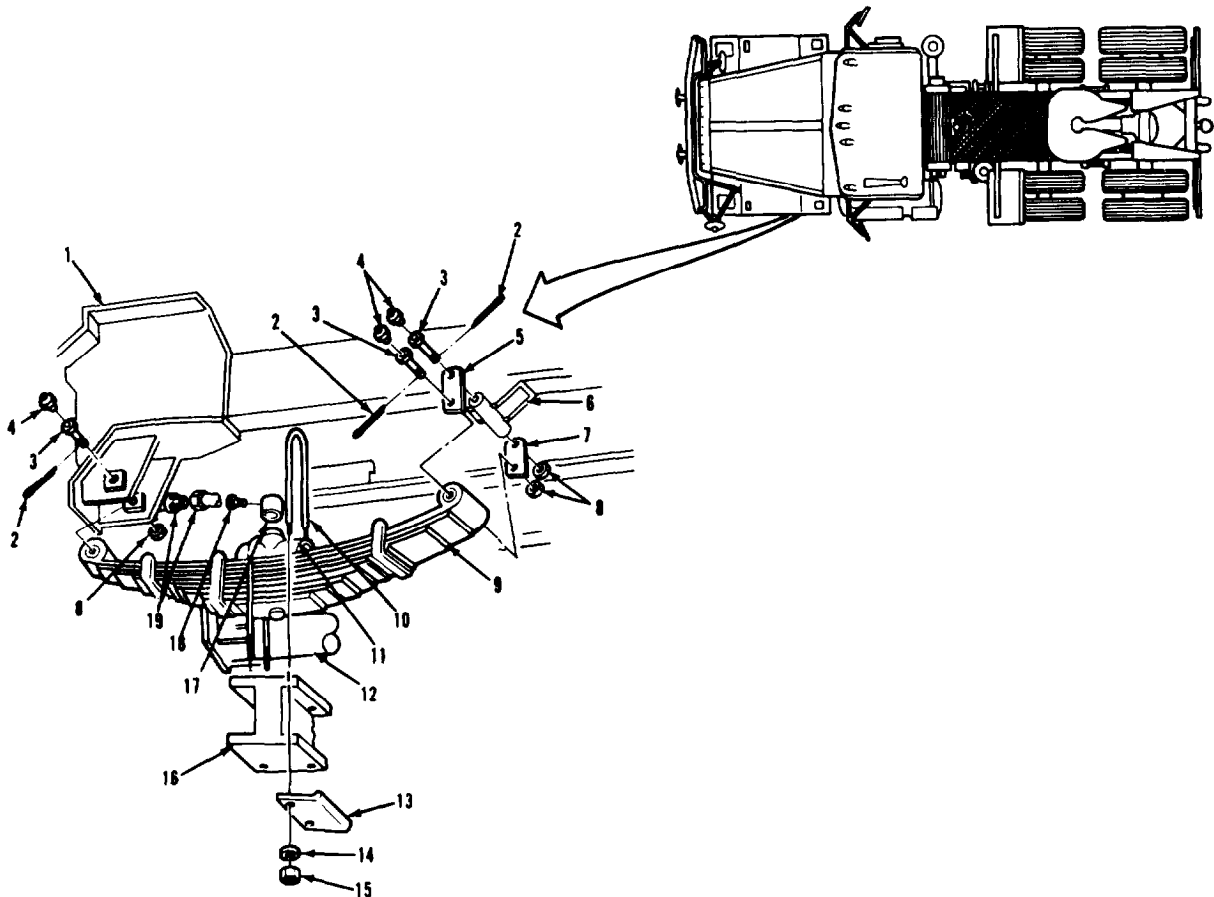
REFERENCES (TM)
TM 9-2320-283-10.
TM 9-2320-283-20.
TM 9-2320-283-34P.

GENERAL SAFETY INSTRUCTIONS
None.

TROUBLESHOOTING REFERENCES
None.

SPRINGS, SHOCK ABSORBERS, AND TORQUE RODS.

3-104. FRONT SPRING REPLACEMENT (Continued).



LEGEND:

- | | |
|---|---|
| 1. FRAME FRONT SUPPORT BRACKET ASSEMBLY | 11. FRONT SPRING SADDLE |
| 2. COTTER PIN (3) | 12. RADIATOR OUTLET HOSE |
| 3. SPECIAL SHACKLE PIN SCREW (3) | 13. LOWER SHOCK MOUNTING BRACKET ASSEMBLY (2) |
| 4. LUBRICATION FITTING (3) | 14. FLAT WASHER (2) |
| 5. OUTER SPRING SHACKLE | 15. HEXAGON HEAD NUT (2) |
| 6. CAB FRONT SUPPORT ASSEMBLY | 16. FRONT AXLE |
| 7. INNER SPRING SHACKLE | 17. AXLE BUMPER |
| 8. HEXAGON CASTELLATED NUT (3) | 18. PAN HEAD SCREW |
| 9. FRONT SPRING ASSEMBLY | 19. TRANSMISSION COOLER HOSE (2) |
| 10. U-BOLT (2) | |

TA238495

SPRINGS, SHOCK ABSORBERS, AND TORQUE RODS.

3-104. FRONT SPRING REPLACEMENT (Continued).

LOCATION/ITEM

ACTION

REMARKS

WARNING

To avoid injury when removing front spring, make sure front of vehicle and front axle are supported by jack stands with a minimum ten ton capacity.

Each front spring weighs approximately 100 lbs. To avoid injury, be very careful when removing front spring.

NOTE

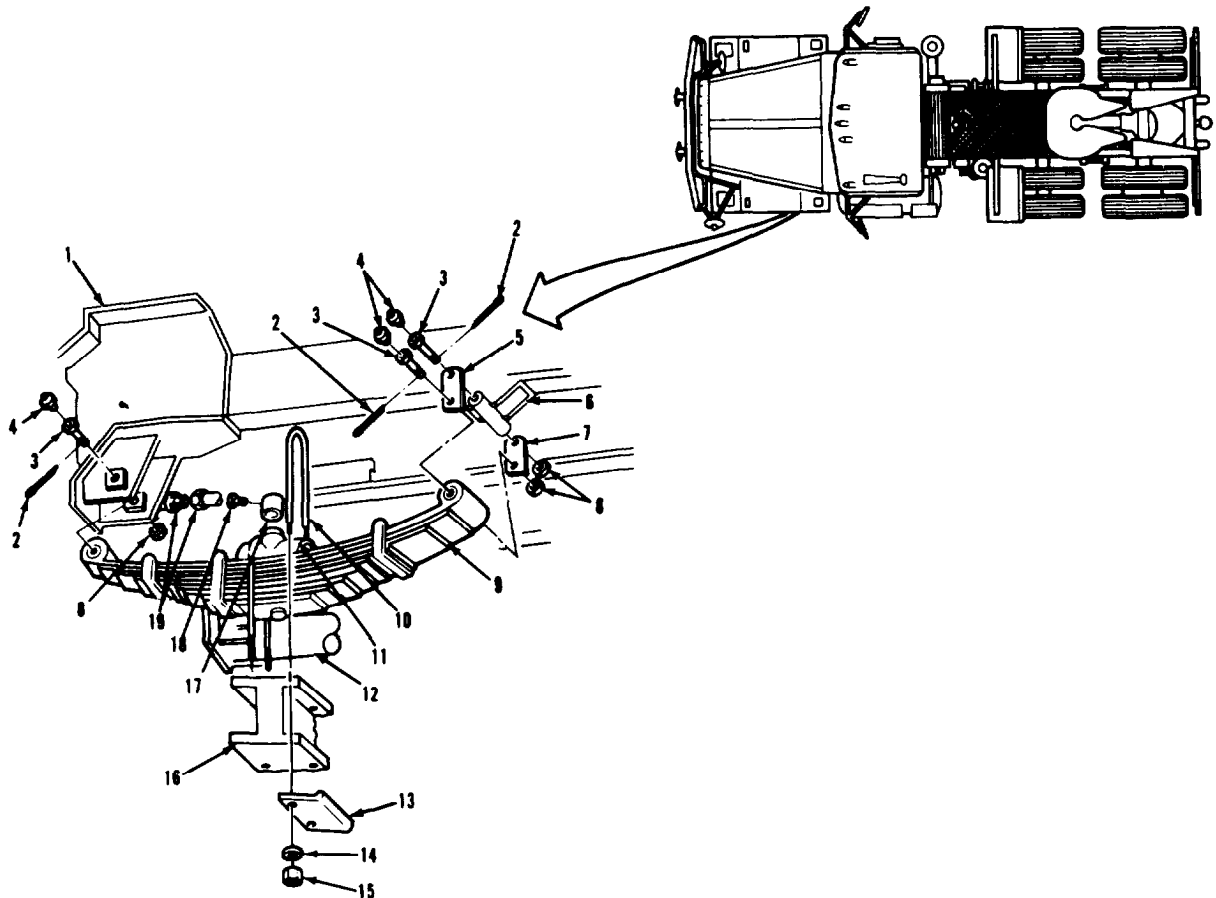
Right and left side front springs are replaced in the same way, except as noted. Use this procedure to replace either front spring.

A. REMOVAL.

- | | | |
|--------------------|---|---|
| 1. Two hoses (19). | Disconnect and move away from item (9). | Do this step for left side only. Use suitable container to catch transmission oil. |
| 2. Cooling system. | Drain. | Do this step for right side only. Refer to TM 9-2320-283-10 for cooling system draining procedures. |
| 3. Hose (12). | Disconnect and move away from item (9). | Do this step for right side only. Use suitable container to catch any remaining coolant. |

SPRINGS, SHOCK ABSORBERS, AND TORQUE RODS.

3-104. FRONT SPRING REPLACEMENT (Continued).



LEGEND:

- | | |
|---|---|
| 1. FRAME FRONT SUPPORT BRACKET ASSEMBLY | 11. FRONT SPRING SADDLE |
| 2. COTTER PIN (3) | 12. RADIATOR OUTLET HOSE |
| 3. SPECIAL SHACKLE PIN SCREW (3) | 13. LOWER SHOCK MOUNTING BRACKET ASSEMBLY (2) |
| 4. LUBRICATION FITTING (3) | 14. FLAT WASHER (2) |
| 5. OUTER SPRING SHACKLE | 15. HEXAGON HEAD NUT (2) |
| 6. CAB FRONT SUPPORT ASSEMBLY | 16. FRONT AXLE |
| 7. INNER SPRING SHACKLE | 17. AXLE BUMPER |
| 8. HEXAGON CASTELLATED NUT (3) | 18. PAN HEAD SCREW |
| 9. FRONT SPRING ASSEMBLY | 19. TRANSMISSION COOLER HOSE (2) |
| 10. U-BOLT (2) | |

TA 238496

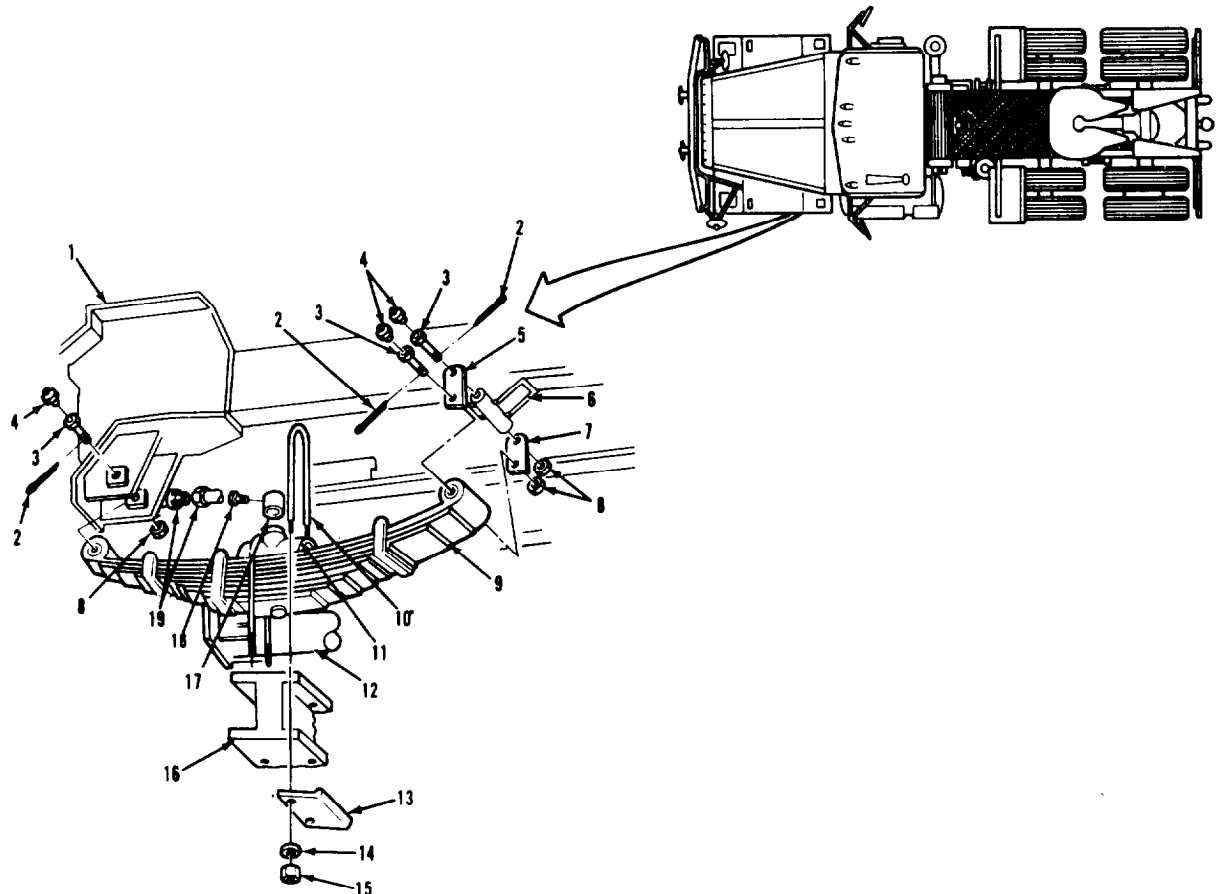
SPRINGS, SHOCK ABSORBERS, AND TORQUE RODS.

3-104. FRONT SPRING REPLACEMENT (Continued).

LOCATION/ITEM	ACTION	REMARKS
A. REMOVAL (Continued).		
4. Three pins (2).	Remove from three items (3).	Discard three items (2).
5. Three nuts (8).	Remove from three items (3).	
6. Screw (3).	Using porta-power, press out of items (1) and (9).	
7. Screw (3).	Using porta-power, press out of items (7), (9), and (5).	
8. Front spring assembly (9).	Wrap with chain and support with suitable lifting device.	
9. Four nuts (15), washers (14), and two lower shock mounting bracket assemblies (13).	Remove from items (10) and (11).	
10. Two U-bolts (10) and saddle (11).	Remove from item (9).	
11. Front spring assembly (9).	Using chain and hoist, lift off of item (16) and place in a clean work area.	
12. Screw (18) and bumper (17).	Remove from item (11).	

SPRINGS, SHOCK ABSORBERS, AND TORQUE RODS.

3-104. FRONT SPRING REPLACEMENT (Continued).



LEGEND:

- | | |
|---|---|
| 1. FRAME FRONT SUPPORT BRACKET ASSEMBLY | 11. FRONT SPRING SADDLE |
| 2. COTTER PIN (3) | 12. RADIATOR OUTLET HOSE |
| 3. SPECIAL SHACKLE PIN SCREW (3) | 13. LOWER SHOCK MOUNTING BRACKET ASSEMBLY (2) |
| 4. LUBRICATION FITTING (3) | 14. FLAT WASHER (2) |
| 5. OUTER SPRING SHACKLE | 15. HEXAGON HEAD NUT (2) |
| 6. CAB FRONT SUPPORT ASSEMBLY | 16. FRONT AXLE |
| 7. INNER SPRING SHACKLE | 17. AXLE BUMPER |
| 8. HEXAGON CASTELLATED NUT (3) | 18. PAN HEAD SCREW |
| 9. FRONT SPRING ASSEMBLY | 19. TRANSMISSION COOLER HOSE (2) |
| 10. U-BOLT (2) | |

TA 238497

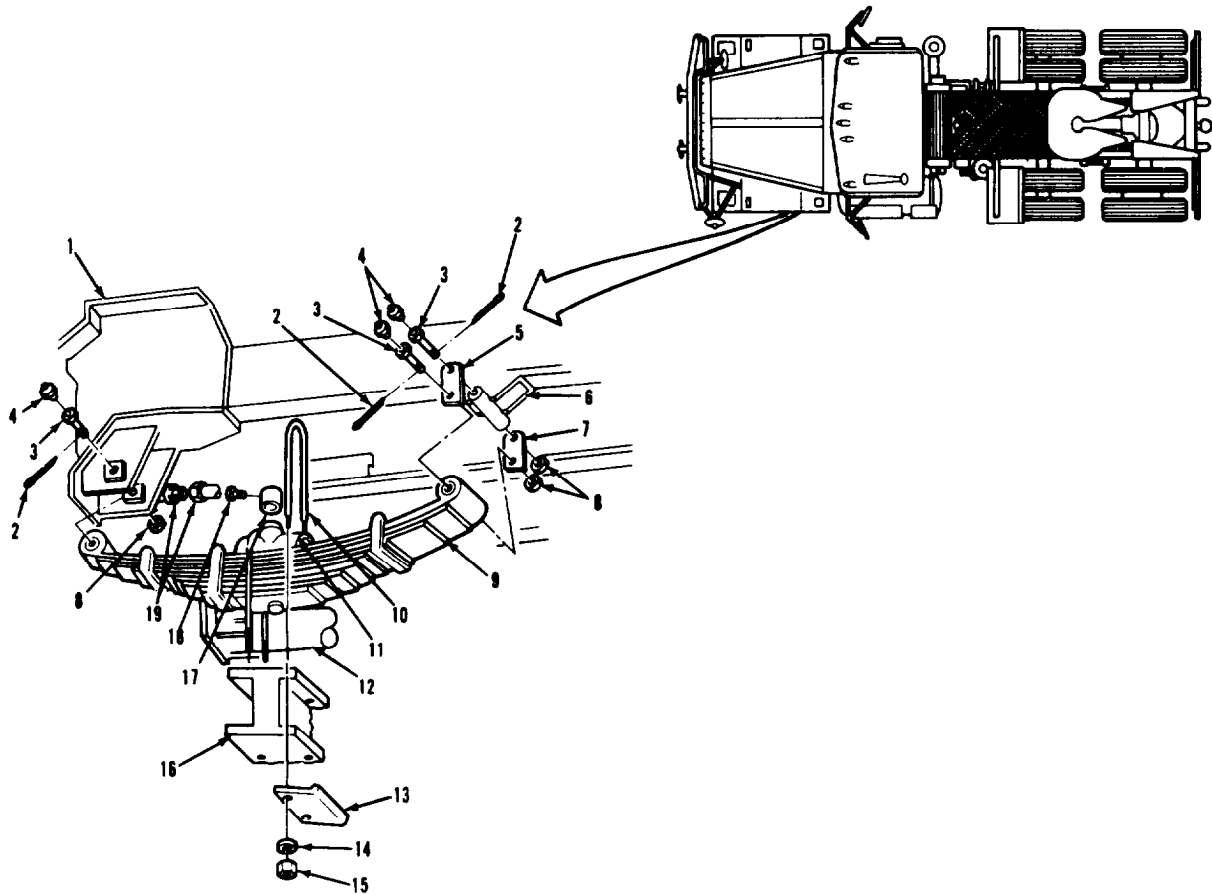
SPRINGS, SHOCK ABSORBERS, AND TORQUE RODS.

3-104. FRONT SPRING REPLACEMENT (Continued).

LOCATION/ITEM	ACTION	REMARKS
A. REMOVAL (Continued).		
13. Screw (3) and shackles (5) and (7).	a. Using porta-power, press item (3) out of items (7), (6), and (5). b. Remove items (5) and (7) from item (6).	
14. Three fittings (4).	Remove from three items (3).	Discard three items (3).
B. CLEANING.		
15. All parts.	Clean.	Refer to paragraph 3-4. Be sure to clean spring mounting areas on items (1) and (6).
C. INSPECTION.		
16. All parts.	Inspect.	Refer to paragraph 3-5. Be sure to inspect spring mounting areas on items (1) and (6).
D. INSTALLATION.		
17. Three fittings (4).	Install into three new items (3).	
18. Shackles (5) and (7).	a. Hold in place on item (6). b. Secure with new item (3).	Use porta-power to install item (3), if necessary.

SPRINGS, SHOCK ABSORBERS, AND TORQUE RODS.

3-104. FRONT SPRING REPLACEMENT (Continued).



LEGEND:

- | | |
|---|---|
| 1. FRAME FRONT SUPPORT BRACKET ASSEMBLY | 11. FRONT SPRING SADDLE |
| 2. COTTER PIN (3) | 12. RADIATOR OUTLET HOSE |
| 3. SPECIAL SHACKLE PIN SCREW (3) | 13. LOWER SHOCK MOUNTING BRACKET ASSEMBLY (2) |
| 4. LUBRICATION FITTING (3) | 14. FLAT WASHER (2) |
| 5. OUTER SPRING SHACKLE | 15. HEXAGON HEAD NUT (2) |
| 6. CAB FRONT SUPPORT ASSEMBLY | 16. FRONT AXLE |
| 7. INNER SPRING SHACKLE | 17. AXLE BUMPER |
| 8. HEXAGON CASTELLATED NUT (3) | 18. PAN HEAD SCREW |
| 9. FRONT SPRING ASSEMBLY | 19. TRANSMISSION COOLER HOSE (2) |
| 10. U-BOLT (2) | |

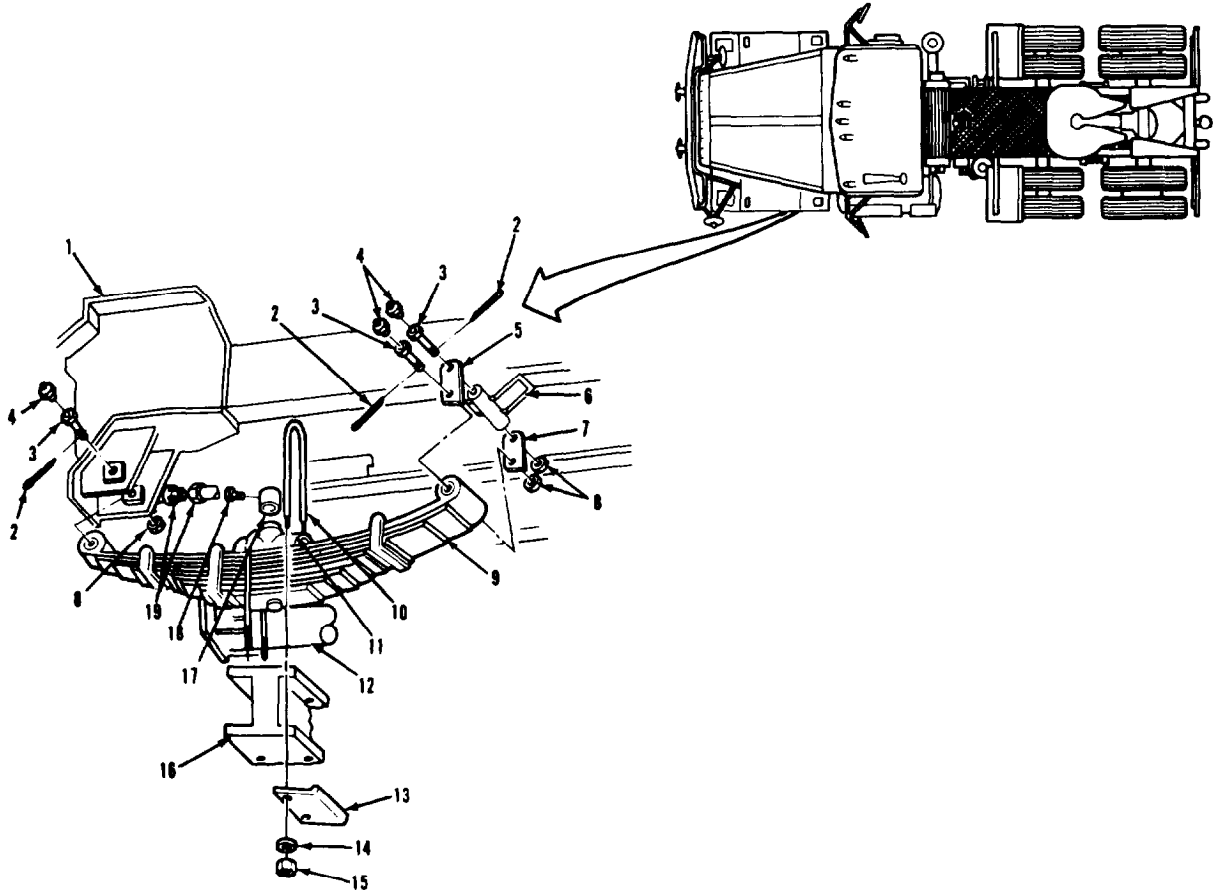
TA 238498

SPRINGS, SHOCK ABSORBERS, AND TORQUE RODS.

3-104. FRONT SPRING REPLACEMENT (Continued).		
LOCATION/ITEM	ACTION	REMARKS
D. INSTALLATION (Continued).		
19. Bumper (17).	a. Install on item (11). b. Secure with item (18).	
20. Front spring assembly (9).	Using chain and hoist, put into place on item (16).	Make sure screw head on item (9) fits into hole in item (16).
21. Saddle (11) and two U-bolts (10).	Install on top of item (9).	Make sure hole in item (11) fits over nut on item (9).
22. Two lower shock mounting bracket assemblies (13), four nuts (15), and washers (14).	Install on items (16) and (10).	Screw items (15) on until snug, but do not tighten at this time.
23. Front spring assembly (9).	Remove chain and lifting device.	
24. Front axle (16).	Using hydraulic jack, raise or lower until bushing in rear end of item (9) lines up with holes in items (5) and (7) 1	
25. New screw (3).	Install into items (5), (9), and (7).	Use porta-power to install item (3), if necessary.
26. Front axle (16).	Using hydraulic jack, raise or lower until bushing in, front end of item (9) lines up with holes in item (1).	

SPRINGS, SHOCK ABSORBERS, AND TORQUE RODS.

3-104. FRONT SPRING REPLACEMENT (Continued).



LEGEND:

- | | |
|---|---|
| 1. FRAME FRONT SUPPORT BRACKET ASSEMBLY | 11. FRONT SPRING SADDLE |
| 2. COTTER PIN (3) | 12. RADIATOR OUTLET HOSE |
| 3. SPECIAL SHACKLE PIN SCREW (3) | 13. LOWER SHOCK MOUNTING BRACKET ASSEMBLY (2) |
| 4. LUBRICATION FITTING (3) | 14. FLAT WASHER (2) |
| 5. OUTER SPRING SHACKLE | 15. HEXAGON HEAD NUT (2) |
| 6. CAB FRONT SUPPORT ASSEMBLY | 16. FRONT AXLE |
| 7. INNER SPRING SHACKLE | 17. AXLE BUMPER |
| 8. HEXAGON CASTELLATED NUT (3) | 18. PAN HEAD SCREW |
| 9. FRONT SPRING ASSEMBLY | 19. TRANSMISSION COOLER HOSE (2) |
| 10. U-BOLT (2) | |

TA 238499

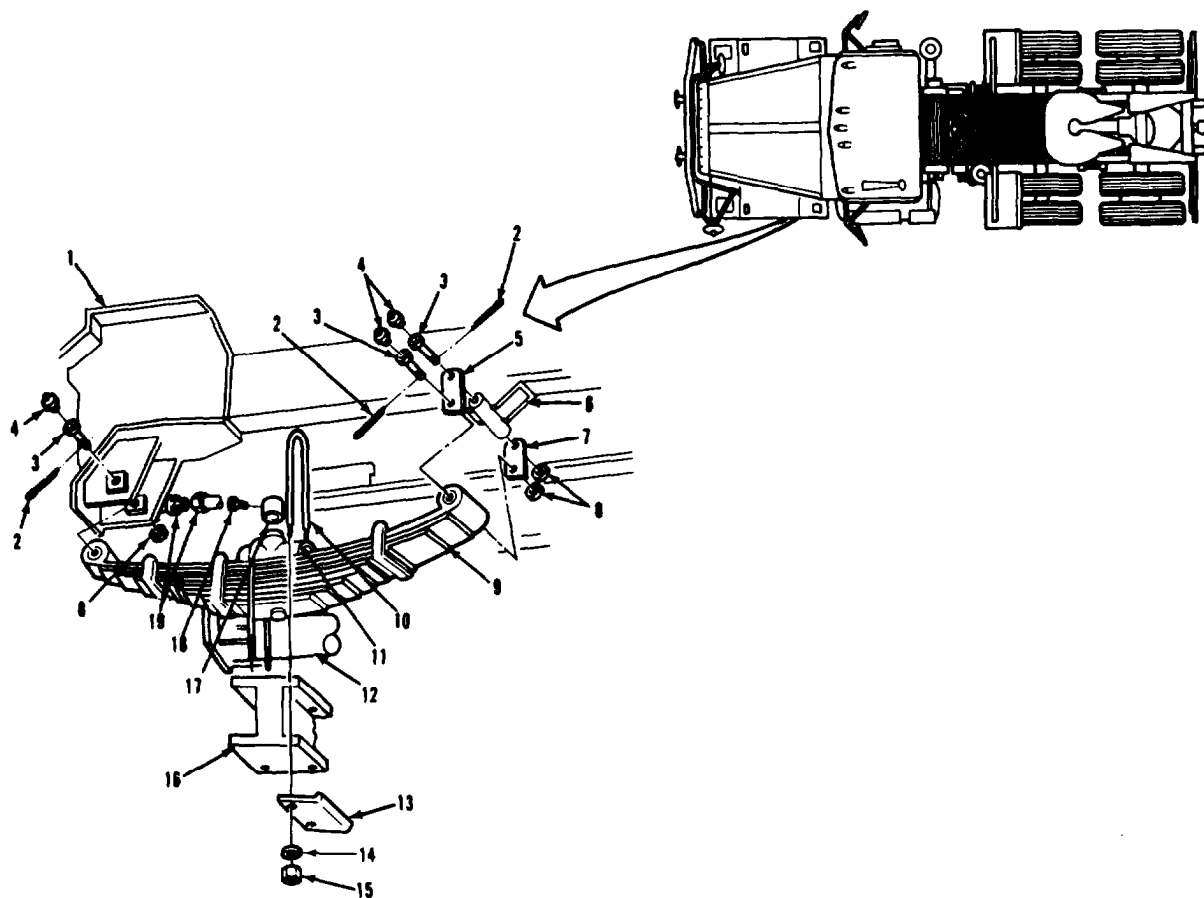
SPRINGS, SHOCK ABSORBERS, AND TORQUE RODS.

3-104. FRONT SPRING REPLACEMENT (Continued).

LOCATION/ITEM	ACTION	REMARKS
D. INSTALLATION (Continued).		
27. New screw (3).	Install into items (1) and (9).	Use porta-power to install item (3), if necessary.
28. Three nuts (8).	Install onto three items (3).	Torque three items (8) to 300-400 lb-ft.
29. Three new pins (2).	Install into three items (3).	
30. Four nuts (15).	Torque to 110-125 lb-ft.	
31. Hose (12).	Connect to bottom of radiator.	Do this step for right side only. Make sure hose clamps are tight.
32. Cooling system	Fill.	Do this step for right side only. Refer to TM 9-2320-283-10 for cooling system filling procedures.
33. Two hoses (19).	Connect.	Do this step for left side only. Make sure hose fittings are tight. Check level of transmission oil (refer to TM 9-2320-283-10).
NOTE		
Follow-on maintenance action required:		
Install shock absorber (TM 9-2320-283-20).		
Install front tire (TM 9-2320-283-20).		

SPRINGS, SHOCK ABSORBERS, AND TORQUE RODS.

3-104. FRONT SPRING REPLACEMENT (Continued).



LEGEND:

- | | |
|---|---|
| 1. FRAME FRONT SUPPORT BRACKET ASSEMBLY | 11. FRONT SPRING SADDLE |
| 2. COTTER PIN (3) | 12. RADIATOR OUTLET HOSE |
| 3. SPECIAL SHACKLE PIN SCREW (3) | 13. LOWER SHOCK MOUNTING BRACKET ASSEMBLY (2) |
| 4. LUBRICATION FITTING (3) | 14. FLAT WASHER (2) |
| 5. OUTER SPRING SHACKLE | 15. HEXAGON HEAD NUT (2) |
| 6. CAB FRONT SUPPORT ASSEMBLY | 16. FRONT AXLE |
| 7. INNER SPRING SHACKLE | 17. AXLE BUMPER |
| 8. HEXAGON CASTELLATED NUT (3) | 18. PAN HEAD SCREW |
| 9. FRONT SPRING ASSEMBLY | 19. TRANSMISSION COOLER HOSE (2) |
| 10. U-BOLT (2) | |

TA 238500

SPRINGS, SHOCK ABSORBERS, AND TORQUE RODS.

3-105. FRONT SPRING REPAIR.

THIS TASK COVERS

- a. Disassembly.
- b. Cleaning and Inspection.
- c. Assembly.

INITIAL SETUP

APPLICABLE CONFIGURATIONS

All.

EQUIPMENT CONDITION
PARAGRAPH

3-104.

CONDITION DESCRIPTION

Front spring removed.

TEST EQUIPMENT

None.

SPECIAL TOOLS

None.

MATERIALS/PARTS (P/N)

Spring clip rivet (3)
(24617) 110432.

PERSONNEL REQUIRED

One (MOS-63W).

SPECIAL ENVIRONMENTAL CONDITIONS

Work area clean and away from blowing dirt and dust.

REFERENCES (TM)

TM 9-2320-283-34P.

GENERAL SAFETY INSTRUCTIONS

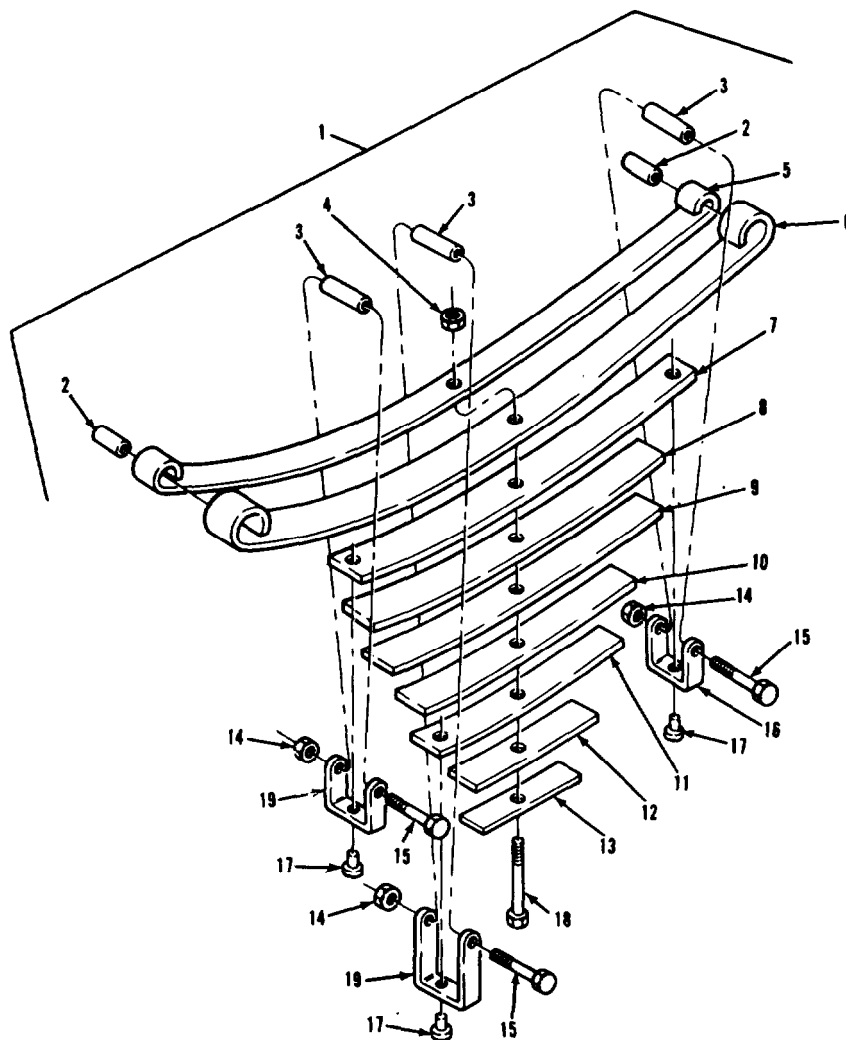
None.

TROUBLESHOOTING REFERENCES

None.

SPRINGS, SHOCK ABSORBERS, AND TORQUE RODS.

3-105. FRONT SPRING REPAIR (Continued).



LEGEND:

- | | |
|----------------------------|-------------------------------|
| 1. FRONT SPRING ASSEMBLY | 11. 23-3/4 INCH LONG LEAF |
| 2. BUSHING (2) | 12. 17-1/8 INCH LONG LEAF |
| 3. SLEEVE SPACER (3) | 13. 12-1/8 INCH LONG LEAF |
| 4. HEXAGON HEAD CENTER NUT | 14. CLIP BOLT NUT (3) |
| 5. 54 INCH LONG LEAF | 15. SPRING CLIP SCREW (3) |
| 6. 55 INCH LONG LEAF | 16. FOUR-LEAF SPRING CLIP (2) |
| 7. 46-1/8 INCH LONG LEAF | 17. SPRING CLIP RIVET (3) |
| 8. 40-5/8 INCH LONG LEAF | 18. HEXAGON HEAD CENTER SCREW |
| 9. 35-1/8 INCH LONG LEAF | 19. SIX-LEAF SPRING CLIP |
| 10. 29-1/2 INCH LONG LEAF | |

TA 238501

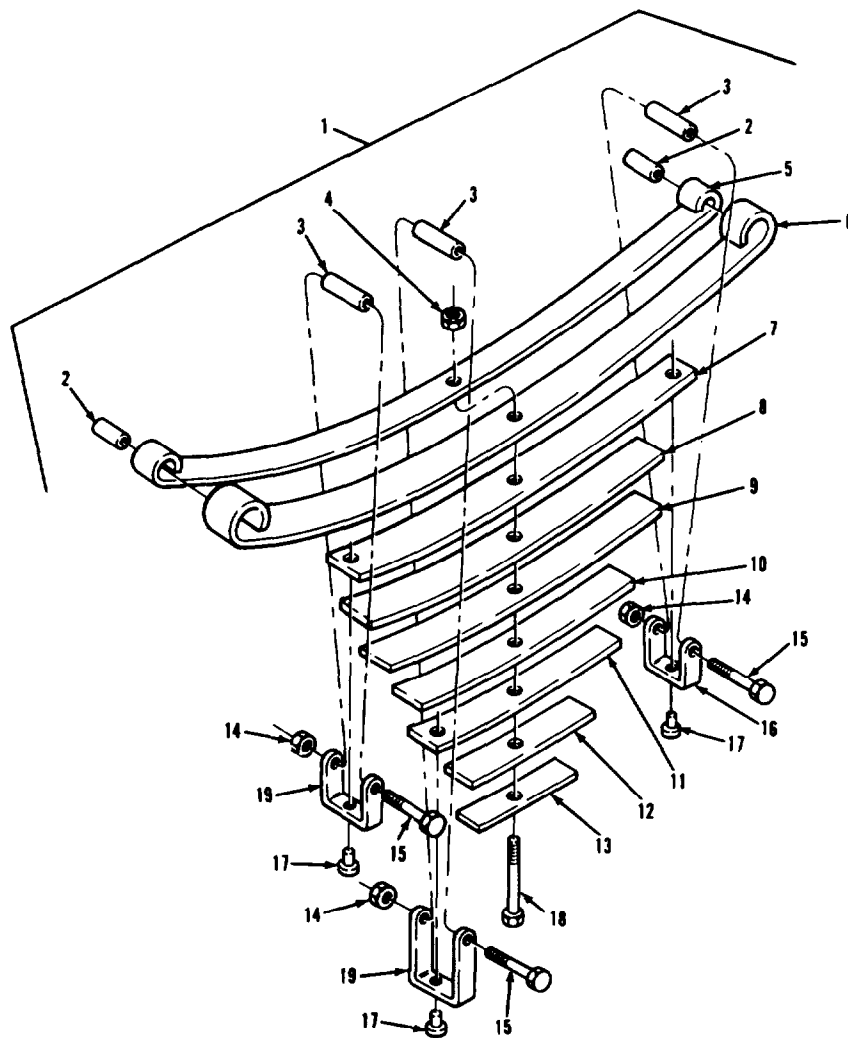
SPRINGS, SHOCK ABSORBERS, AND TORQUE RODS.

3-105. FRONT SPRING REPAIR (Continued).

LOCATION/ITEM	ACTION	REMARKS
NOTE		
Use this procedure to repair any one of the two front springs.		
A. DISASSEMBLY.		
1. Front spring assembly (1).	Turn on side and clamp in vise.	This step is needed to hold items (5) thru (13) during removal of items (4) and (18).
2. Three nuts (14), screws (15), spacers (3), rivets (17), two clips (16), and clip (19).	Remove from items (5) thru (13).	Discard three items (17).
3. Nut (4) and screw (18).	Remove from items (5) thru (13).	
4. Leaves (5) thru (13).	a. Insert a long drift pin through center hole. b. Slowly open vise until all spring tension has been released. c. When all tension has been released, remove from vise and drift pin.	
5. Leaf (5).	Remove from item (6).	
6. Two bushings (2).	Drive out of item (5).	

SPRINGS, SHOCK ABSORBERS, AND TORQUE RODS.

3-105. FRONT SPRING REPAIR (Continued).



LEGEND:

- | | |
|----------------------------|-------------------------------|
| 1. FRONT SPRING ASSEMBLY | 11. 23-3/4 INCH LONG LEAF |
| 2. BUSHING (2) | 12. 17-1/8 INCH LONG LEAF |
| 3. SLEEVE SPACER (3) | 13. 12-1/8 INCH LONG LEAF |
| 4. HEXAGON HEAD CENTER NUT | 14. CLIP BOLT NUT (3) |
| 5. 54 INCH LONG LEAF | 15. SPRING CLIP SCREW (3) |
| 6. 55 INCH LONG LEAF | 16. FOUR-LEAF SPRING CLIP (2) |
| 7. 46-1/8 INCH LONG LEAF | 17. SPRING CLIP RIVET (3) |
| 8. 40-5/8 INCH LONG LEAF | 18. HEXAGON HEAD CENTER SCREW |
| 9. 35-1/8 INCH LONG LEAF | 19. SIX-LEAF SPRING CLIP |
| 10. 29-1/2 INCH LONG LEAF | |

TA 238502

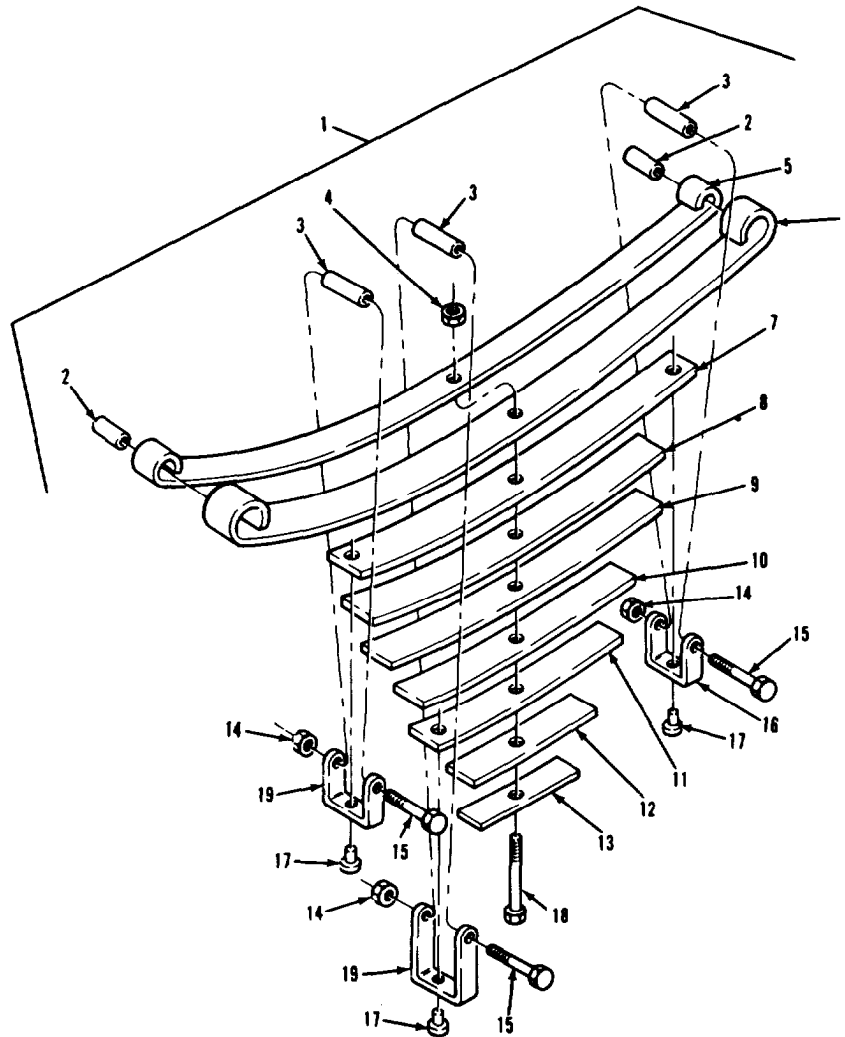
SPRINGS, SHOCK ABSORBERS, AND TORQUE RODS.

3-105. FRONT SPRING REPAIR (Continued).

LOCATION/ITEM	ACTION	REMARKS
B. CLEANING AND INSPECTION.		
7. All parts.	Clean and inspect.	Refer to paragraph 3-4 and 3-5.
C. ASSEMBLY.		
8. Two bushings (2).	Drive into item (5).	
9. Leaf (5).	Install in item (6).	
10. Leaves (5) thru (13).	a. Install on long drift pin in order shown in illustration. b. Place on side in vise, c. Slowly tighten vise until items (5) thru (13) are flat against each other. d. Remove drift pin.	
11. Screw (18) and nut (4).	Install into items (5) thru (13).	Torque items (4) to 75-85 lb-ft.
12. Two clips (16), clip (19), three new rivets (17), spacers (3), screws (15), and nuts (14).	Install onto items (5) thru (13).	Torque items (14) to 48-55 lb-ft.
13. Front spring assembly (1).	Remove from vise.	
NOTE		
Follow-on maintenance action required:		
Install front spring (TM 9-2320-283-20).		

SPRINGS, SHOCK ABSORBERS, AND TORQUE RODS.

3-105. FRONT SPRING REPAIR (Continued).



LEGEND:

- | | |
|----------------------------|-------------------------------|
| 1. FRONT SPRING ASSEMBLY | 11. 23-3/4 INCH LONG LEAF |
| 2. BUSHING (2) | 12. 17-1/8 INCH LONG LEAF |
| 3. SLEEVE SPACER (3) | 13. 12-1/8 INCH LONG LEAF |
| 4. HEXAGON HEAD CENTER NUT | 14. CLIP BOLT NUT (3) |
| 5. 54 INCH LONG LEAF | 15. SPRING CLIP SCREW (3) |
| 6. 55 INCH LONG LEAF | 16. FOUR-LEAF SPRING CLIP (2) |
| 7. 46-1/8 INCH LONG LEAF | 17. SPRING CLIP RIVET (3) |
| 8. 40-5/8 INCH LONG LEAF | 18. HEXAGON HEAD CENTER SCREW |
| 9. 35-1/8 INCH LONG LEAF | 19. SIX-LEAF SPRING CLIP |
| 10. 29-1/2 INCH LONG LEAF | |

TA 238503

SPRINGS, SHOCK ABSORBERS, AND TORQUE RODS.

3-106. TORQUE ROD REPAIR.

THIS TASK COVERS

- a. Disassembly.
- b. Cleaning and Inspection.
- c. Assembly.

INITIAL SETUP

APPLICABLE CONFIGURATIONS

All.

EQUIPMENT CONDITION
PARAGRAPH

TM 9-2320-283-20.

CONDITION DESCRIPTION

Torque rod removed.

TEST EQUIPMENT

None.

SPECIAL TOOLS

Torque rod bushing service set
(45225) Y-820.

MATERIALS/PARTS (P/N)

Bushing (as required)
(28158) 44695.

PERSONNEL REQUIRED

One (MOS-63W).

SPECIAL ENVIRONMENTAL CONDITIONS

Work area clean and away from blowing
dirt and dust.

REFERENCES (TM)

TM 9-2320-283-20.
TM 9-2320-283-34P.

GENERAL SAFETY INSTRUCTIONS

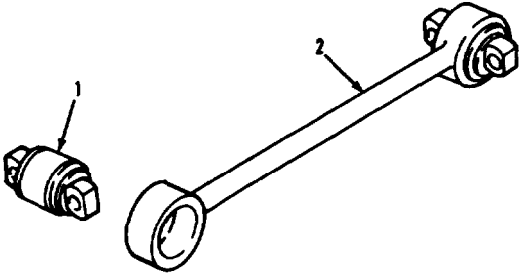
None.

TROUBLESHOOTING REFERENCES

None.

SPRINGS, SHOCK ABSORBERS, AND TORQUE RODS.

3-106. TORQUE ROD REPAIR (Continued).



LEGEND:

- 1. BUSHING (2)
- 2. TORQUE ROD ASSEMBLY

TA 238504

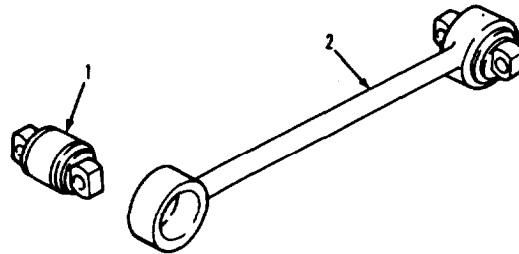
SPRINGS, SHOCK ABSORBERS, AND TORQUE RODS.

3-106. TORQUE ROD REPAIR (Continued).

LOCATION/ITEM	ACTION	REMARKS
NOTE		
Repair of torque rod is limited to replacement of bushings. Use this procedure to replace bushings on either torque rod.		
A. DISASSEMBLY.		
1. Bushing (1).	Using suitable hydraulic press and torque rod bushing service set, press out of item (2).	Hydraulic press should have a minimum capacity of 25-tons. Discard item (1). Repeat this step for other item (1) if necessary.
B. CLEANING AND INSPECTION.		
2. Torque rod assembly (2).	a. Clean. b. Inspect.	Refer to paragraph 3-4. Refer to paragraph 3-5. Be sure to check for cracks and wear in bushing bores of item (2).
C. ASSEMBLY.		
3. New bushing (1).	Using suitable hydraulic press and torque rod bushing service set, press into item (2).	Hydraulic press should have a minimum capacity of 25-tons. Make sure item (1) is centered in item (2). Repeat this step for other item (1) if necessary.
NOTE		
Follow-on maintenance action required:		
Install torque rod (TM 9-2320-283-20).		

SPRINGS, SHOCK ABSORBERS, AND TORQUE RODS.

3-106. TORQUE ROD REPAIR (Continued).



LEGEND:

- 1. BUSHING (2)
- 2. TORQUE ROD ASSEMBLY

TA 238505

Section XIV. CAB AND BODY

3-107. GENERAL.

This section provides procedures authorized at direct and general support maintenance levels to replace and repair cab and body components. To find a specific procedure contained in this section, see the task summary below:

3-108. TASK SUMMARY.

INITIAL SETUP

<u>APPLICABLE CONFIGURATIONS</u>	<u>EQUIPMENT CONDITION</u>	<u>CONDITION DESCRIPTION</u>
All.	<u>PARAGRAPH</u>	(Refer to specific paragraph for this information).

TEST EQUIPMENT
None.

SPECIAL TOOLS
Windshield installer/remover
5120-00-279-8422.

<u>MATERIALS/PARTS (P/N)</u>	
Grease, automotive and artillery Item 7, Appendix B.	Paper towels Item 37, Appendix B.
Rags, wiping Item 26, Appendix B.	Tape, pressure sensitive, adhesive Item 34, Appendix B.
Solvent, drycleaning, SD-2 Item 31, Appendix B.	PT nut (24617) 9422307.
Solution, soap Item 30, Appendix B.	PT nut (2) (34623) M/219B-2003.
Grease, white (suitable) Item 11, Appendix B.	Lockwasher (9) (24617) 138489.
Oil, lubricating, engine, OE/HDO-30 Item 17, Appendix B.	Lockwasher (2) (24617) 9417953.
Window sealer Item 39, Appendix B.	Lockwasher (8) (24617) 138489.
Window cleaner Item 38, Appendix B.	Shim, door latch striker pin (75418) 04336-2.

PERSONNEL REQUIRED
Three (MOS-63W)

SPECIAL ENVIRONMENTAL CONDITIONS
Work area clean and away from blowing dirt and dust.

CAB AND BODY.

3-109. TASK SUMMARY (Continued).

INITIAL SETUP (Continued).

REFERENCES (TM)

TM 9-2320-283-10.
 TM 9-2320-283-20.
 TM 9-2320-283-34.
 TM 9-2320-283-20P.
 TM 9-2320-283-34P.
 TM 9-2320-283-12.

TROUBLESHOOTING REFERENCES

None.

GENERAL SAFETY INSTRUCTIONS

Both vehicles on level ground with wheels blocked.

Use extreme care when handling windshield glass. Broken, chipped, or cracked glass can cause serious injury. When removing broken glass, wear protective face shield and gloves.

LIST OF TASKS

TASK NO.	TASK	TASK REF	TROUBLESHOOTING REF NO. (PARA)
1	Cab Insulators Replacement	3-109	
	a. Removal of Front Insulators.	3-109a	
	b. Removal of Rear Insulators.	3-109b	
	c. Cleaning.	3-109c	
	d. Inspection.	3-109d	
	e. Installation of Rear Insulators.	3-109e	
	f. Installation of Front Insulators.	3-109f	
2	Cab Shell Replacement	3-110	
	a. Removal.	3-110a	
	b. Disassembly/Assembly.	3-110b	
	c. Installation.	3-110c	
3	Door Replacement	3-111	
	a. Removal.	3-111a	
	b. Cleaning.	3-111b	
	c. Inspection.	3-111c	
	d. Installation.	3-111d	
4	Door Repair	3-112	
	a. Disassembly.	3-112a	
	b. Cleaning.	3-112b	
	c. Inspection.	3-112c	
	d. Assembly.	3-112d	

CAB AND BODY.

3-109, TASK SUMMARY (Continued).			
LIST OF TASKS			
TASK NO.	TASK	TASK REF	TROUBLESHOOTING REF NO. (PARA)
5	Door Striker Assembly Replacement a. Removal. b. Disassembly. c. Cleaning and Inspection. d. Assembly. e. Installation. f. Adjustment.	3-113 3-113a 3-113b 3-113c 3-113d 3-113e 3-113f	
6	Windshield Replacement a. Removal. b. Cleaning. c. Inspection. d. Installation.	3-114 3-114a 3-114b 3-114c 3-114d	
7	Rear Window Replacement a. Removal. b. Cleaning. c. Inspection. d. Installation.	3-115 3-115a 3-115b 3-115c 3-115d	
8	Rear Window Repair a. Disassembly. b. Cleaning. c. Inspection. d. Assembly.	3-116 3-116a 3-116b 3-116c 3-116d	
9	Driver's Seat Repair a. Disassembly. b. Cleaning and Inspection. c. Assembly.	3-117 3-117a 3-117b 3-117c	
10	Companion Seat Repair a. Disassembly. b. Cleaning and Inspection. c. Assembly.	3-118 3-118a 3-118b 3-118c	

CAB AND BODY.

3-109. CAB INSULATORS REPLACEMENT.

THIS TASK COVERS

- a. Removal of Front Insulators.
- b. Removal of Rear Insulators.
- c. Cleaning.
- d. Inspection.
- e. Installation of Rear Insulators.
- f. Installation of Front Insulators.

INITIAL SETUP

<u>APPLICABLE CONFIGURATIONS</u>	<u>EQUIPMENT CONDITION PARAGRAPH</u>	<u>CONDITION DESCRIPTION</u>
All.		

NOTE

TEST EQUIPMENT
None.

If removing a front insulator, do the following:

TM 9-2320-283-10.

Start engine. Turn front tires all the way left and shutdown engine.

SPECIAL TOOLS
None.

MATERIALS/PARTS (P/N)

Grease, automotive and artillery Item 7, Appendix B.	PT nut (front) (24617) 9422307.
Rags, wiping Item 26, Appendix B.	PT nut (2) (rear) (24617) 9422307.
Solvent, drycleaning, SD-2 Item 31, Appendix B.	

PERSONNEL REQUIRED
Two (MOS-63W).

SPECIAL ENVIRONMENTAL CONDITIONS
None.

REFERENCES (TM)

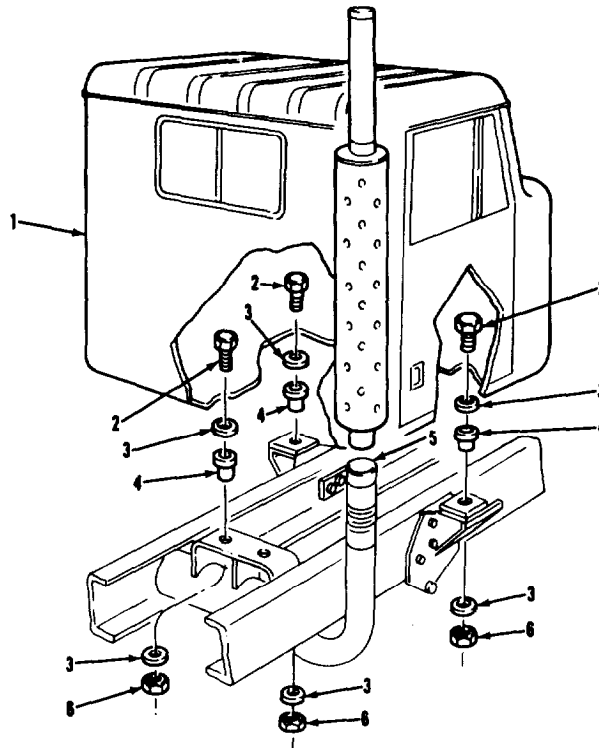
- TM 9-2320-283-10.
- TM 9-2320-283-20.
- TM 9-2320-283-20P.
- TM 9-2320-283-34P.

GENERAL SAFETY INSTRUCTIONS
None.

TROUBLESHOOTING REFERENCES
None.

CAB AND BODY.

3-109. CAB INSULATORS REPLACEMENT (Continued).



LEGEND:

- 1. CAB SHELL
- 2. HEXAGON MACHINE SCREW (4)
- 3. FLAT WASHER (8)
- 4. INSULATOR (4)
- 5. COUPLING REDUCER
- 6. PT NUT (4)

TA 238506

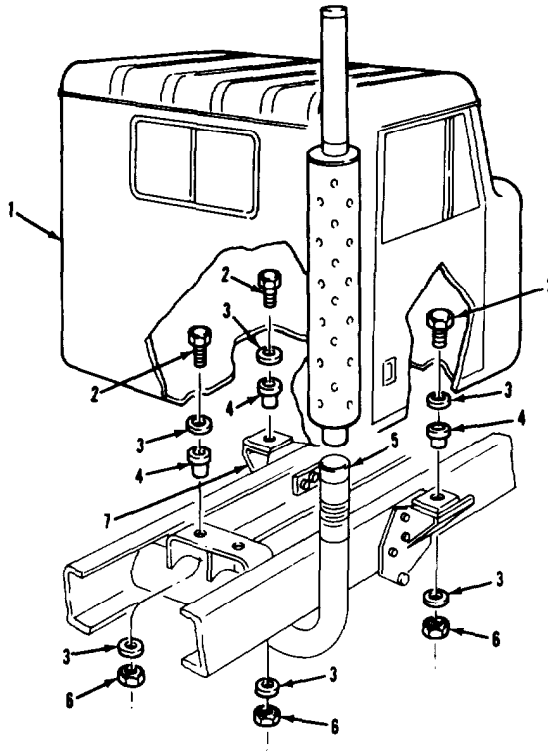
CAB AND BODY.

3-109. CAB INSULATORS REPLACEMENT (Continued).

LOCATION/ITEM	ACTION	REMARKS
A. REMOVAL OF FRONT INSULATORS.		
NOTE		
<ul style="list-style-type: none"> •Left and right front insulator removal is similar, except as noted below, Left front insulator is removed here. •Skip step 1 if removing right front insulator. 		
1. Front left corner of floormat.	Pull back far enough to reach access hole.	
2. Screw (2), washer (3) (lower), and nut (6).	Remove from item (4).	Assistant helps remove item (2), (3) (lower), and (6). Discard item (6).
<u>WARNING</u>		
<p>Cab is heavy. Do not attempt to work below cab once raised, unless cab is safely blocked. Failure to follow this precaution may result in serious injury to you and to other personnel.</p>		
3. Cab (1).	<ul style="list-style-type: none"> a. Using suitable lifting device, raise left side of item (1) about 1-1/2 to 2 inches above item (3) (upper) and (4). b. Support with wood block. 	
4. Washer (3) (upper).	Remove from item (4).	

CAB AND BODY.

3-109. CAB INSULATORS REPLACEMENT (Continued).



LEGEND:

- 1. CAB SHELL
- 2. HEXAGON MACHINE SCREW (4)
- 3. FLAT WASHER (8)
- 4. INSULATOR (4)
- 5. COUPLING REDUCER
- 6. PT NUT (4)
- 7. LEFT-HAND CAB FRONT SUPPORT ASSEMBLY

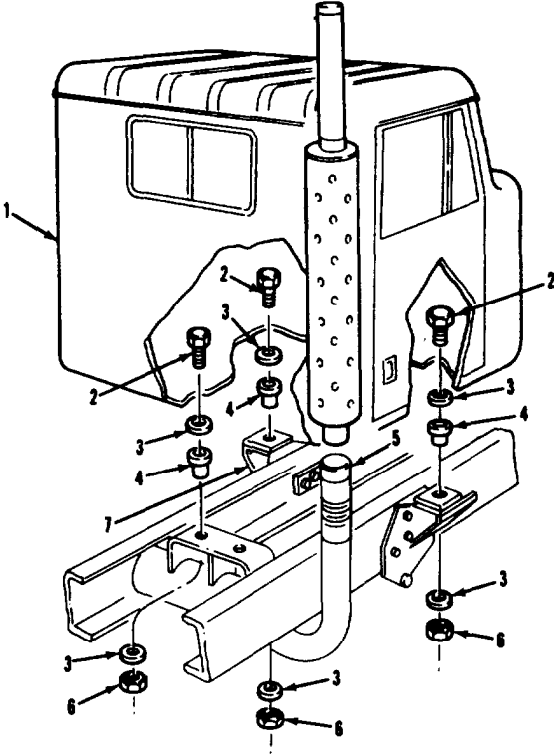
TA 238507

CAB AND BODY.

3-109. CAB INSULATORS REPLACEMENT (Continued).		
LOCATION/ITEM	ACTION	REMARKS
A. REMOVAL OF FRONT INSULATORS (Continued).		
5. Insulator (4).	Pry out from item (7).	Assistant helps remove item (4).
B. REMOVAL OF REAR INSULATORS.		
NOTE		
Left and right rear insulators are removed in same way. Left rear shown here.		
6. Spare tire.	Move out from behind item (1).	Refer to TM 9-2320-283-10.
7. Reducer (5).	Loosen and slide down.	
8. Fire extinguisher.	Remove.	Refer to TM 9-2320-283-10.
9. Center rear part of floormat.	Pull back far enough to reach two access holes.	
10. Two screws (2), washers (3) (lower), and nuts (6).	Remove from two items (4).	Assistant helps remove two items (2), (3) (lower), and (6). Discard two items (6).

CAB AND BODY.

3-109. CAB INSULATORS REPLACEMENT (Continued).



LEGEND:

- 1. CAB SHELL
- 2. HEXAGON MACHINE SCREW (4)
- 3. FLAT WASHER (8)
- 4. INSULATOR (4)
- 5. COUPLING REDUCER
- 6. PT NUT (4)
- 7. LEFT-HAND CAB FRONT SUPPORT ASSEMBLY

TA 238508

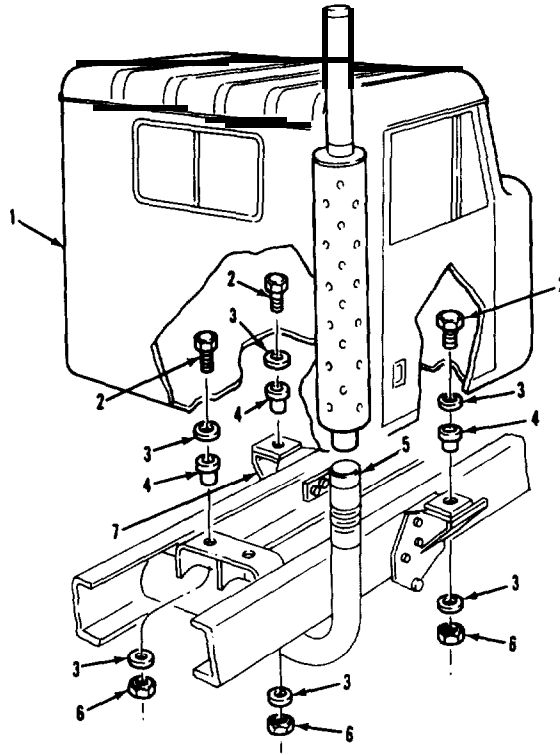
CAB AND BODY.

3-109. CAB INSULATORS REPLACEMENT (Continued).

LOCATION/ITEM	ACTION	REMARKS
B. REMOVAL OF REAR INSULATORS (Continued).		
<u>WARNING</u>		
<p>Cab is heavy. Do not attempt to work below cab, once raised, unless cab is safely blocked. Failure to follow this precaution may result in serious injury to you and other personnel.</p>		
11. Cab (1).	<p>a. Using suitable lifting device, raise rear of item (1) about 1-1/2 to 2 inches above item (3) (upper) and (4).</p> <p>b. Support with wood blocks.</p>	
12. One washer (3) (upper).	Remove from item (4).	Other item (3) (upper) stays in place.
13. Insulator (4).	Pry out from item (8).	Assistant helps remove item (4).
C. CLEANING.		
14. All metal parts.	Clean.	Refer to paragraph 3-4.
15. Rubber parts.	Clean.	Refer to paragraph 3-4.
16. Crossmember (8).	Remove rust and dirt from around mounting hole for item (4).	
D. INSPECTION.		
17. All metal parts.	Inspect.	Refer to paragraph 3-5.
18. All rubber parts.	Inspect.	Refer to paragraph 3-5.

CAB AND BODY.

3-109. CAB INSULATORS REPLACEMENT (Continued).



LEGEND:

- 1. CAB SHELL
- 2. HEXAGON MACHINE SCREW (4)
- 3. FLAT WASHER (8)
- 4. INSULATOR (4)
- 5. COUPLING REDUCER
- 6. PT NUT (4)
- 8. CAB REAR CROSSMEMBER ASSEMBLY

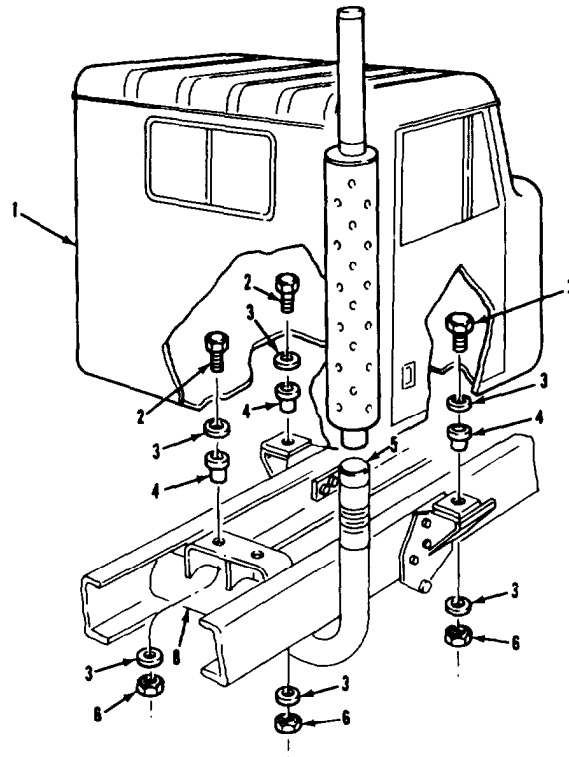
TA 238509

CAB AND BODY.

3-109. CAB INSULATORS REPLACEMENT (Continued).		
LOCATION/ITEM	ACTION	REMARKS
E. INSTALLATION OF REAR INSULATORS.		
NOTE		
Left and right rear insulators are installed in same way. Left rear shown here.		
19. Insulator (4).	a. Lubricate. b. Install in item (8).	
20. Washer (3) (upper).	Slide over item (4) and line up hole in item (3) (upper) with hole in item (4).	
21. Cab (1).	a. Remove support blocks. b. Using suitable lifting device, lower onto item (3) (upper) and (4). c. Secure with two items (2), (3) (lower), two new items (6).	Assistant helps secure items (2), (3) (lower), and (6). Torque to 130 lb-ft.
22. Center rear floor-mat.	Lay into position.	
23. Fire extinguisher.	Install.	Refer to TM 9-2320-283-10.
24. Reducer (5).	a. Slide up in position. b. Tighten.	Check for exhaust leaks. If leaks are found, replace item (5). Refer to TM 9-2320-283-20.
25. Spare tire.	Install in carrier.	Refer to TM 9-2320-283-10.

CAB AND BODY.

3-109. CAB INSULATORS REPLACEMENT (Continued).



LEGEND:

1. CAB SHELL
2. HEXAGON MACHINE SCREW (4)
3. FLAT WASHER (8)
4. INSULATOR (4)
5. COUPLING REDUCER
6. PT NUT (4)
8. CAB REAR CROSSMEMBER ASSEMBLY

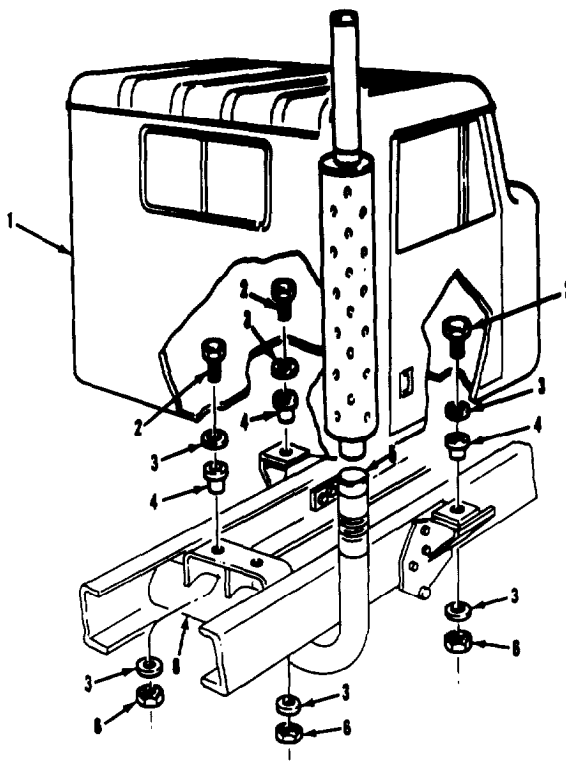
TA 238510

CAB AND BODY.

3-109. CAB INSULATORS REPLACEMENT (Continued).		
LOCATION/ITEM	ACTION	REMARKS
F. INSTALLATION OF FRONT INSULATORS.		
NOTE		
Left and right front insulator installation is similar, except as noted below, Left front insulator is installed here.		
26. Insulator (4).	a. Lubricate. b. Install in item (7).	
27. Washer (3) (upper).	Slide over item (4) and line up hole in item (3) (upper) with hole in item (4).	
28. Cab (1).	a. Remove support block. b. Using suitable lifting device, lower onto item (3) (upper) and (4). c. Secure with items (2), (3) (lower), and new item (6).	Assistant helps secure items (2), (3) (lower), and (6). Torque to 130 lb-ft.
NOTE		
Skip step 30 if installing right front insulator.		
30. Front left corner of floormat.	Lay into position.	
NOTE		
Follow-on maintenance action required:		
None.		

CAB AND BODY.

3-109. CAB INSULATORS REPLACEMENT (Continued).



LEGEND:

- 1. CAB SHELL
- 2. HEXAGON MACHINE SCREW (4)
- 3. FLAT WASHER (8)
- 4. INSULATOR (4)
- 5. COUPLING REDUCER
- 6. PT NUT (4)
- 7. LEFT-HAND CAB FRONT SUPPORT ASSEMBLY

TA 238511

CAB AND BODY.

3-110. CAB SHELL REPLACEMENT.

THIS TASK COVERS

- a. Removal.
- b. Disassembly/Assembly.
- c. Installation.

INITIAL SETUP

<u>APPLICABLE CONFIGURATIONS</u>	<u>EQUIPMENT CONDITION PARAGRAPH</u>	<u>CONDITION DESCRIPTION</u>
All.	TM 9-2320-283-10.	Start engine. Turn front tires all the way left and shutdown engine.
<u>TEST EQUIPMENT</u>	TM 9-2320-283-10. TM 9-2320-283-20. TM 9-2320-283-20.	Spare tire removed. Disconnect batteries. Hood panels removed.
<u>SPECIAL TOOLS</u>	TM 9-2320-283-20.	Crossbar supports removed.
None.	TM 9-2320-283-20. TM 9-2320-283-20.	Front fenders removed. Air cleaner removed.
<u>MATERIALS/PARTS (P/N)</u>	TM 9-2320-283-20.	Radiator drained.
PT nut (34623) M/219B-2003.	TM 9-2320-283-10.	Air system draincocks opened.
PT nut (4) (24617) 9422307.	TM 9-2320-283-20.	Lower steering column disconnected.
	TM 9-2320-283-10.	Fire extinguisher removed.

NOTE

Refer to the appropriate M915A1 technical manual when a specific material or part is needed during assembly of new cab.

PERSONNEL REQUIRED
Three (MOS-63W).

SPECIAL ENVIRONMENTAL CONDITIONS
None.

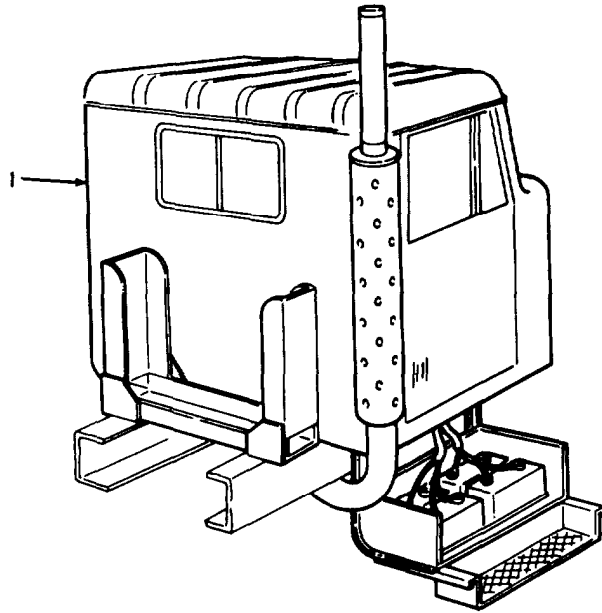
REFERENCES (TM)
TM 9-2320-283-10.
TM 9-2320-283-20.
TM 9-2320-283-34.
TM 9-2320-283-20P.
TM 9-2320-283-34P.
LO 9-2320-283-12.

GENERAL SAFETY INSTRUCTIONS
Both vehicles on level ground with wheels blocked.

TROUBLESHOOTING REFERENCES
None.

CAB AND BODY.

3-110. CAB SHELL REPLACEMENT (Continued).



LEGEND:

- 1. CAB SHELL

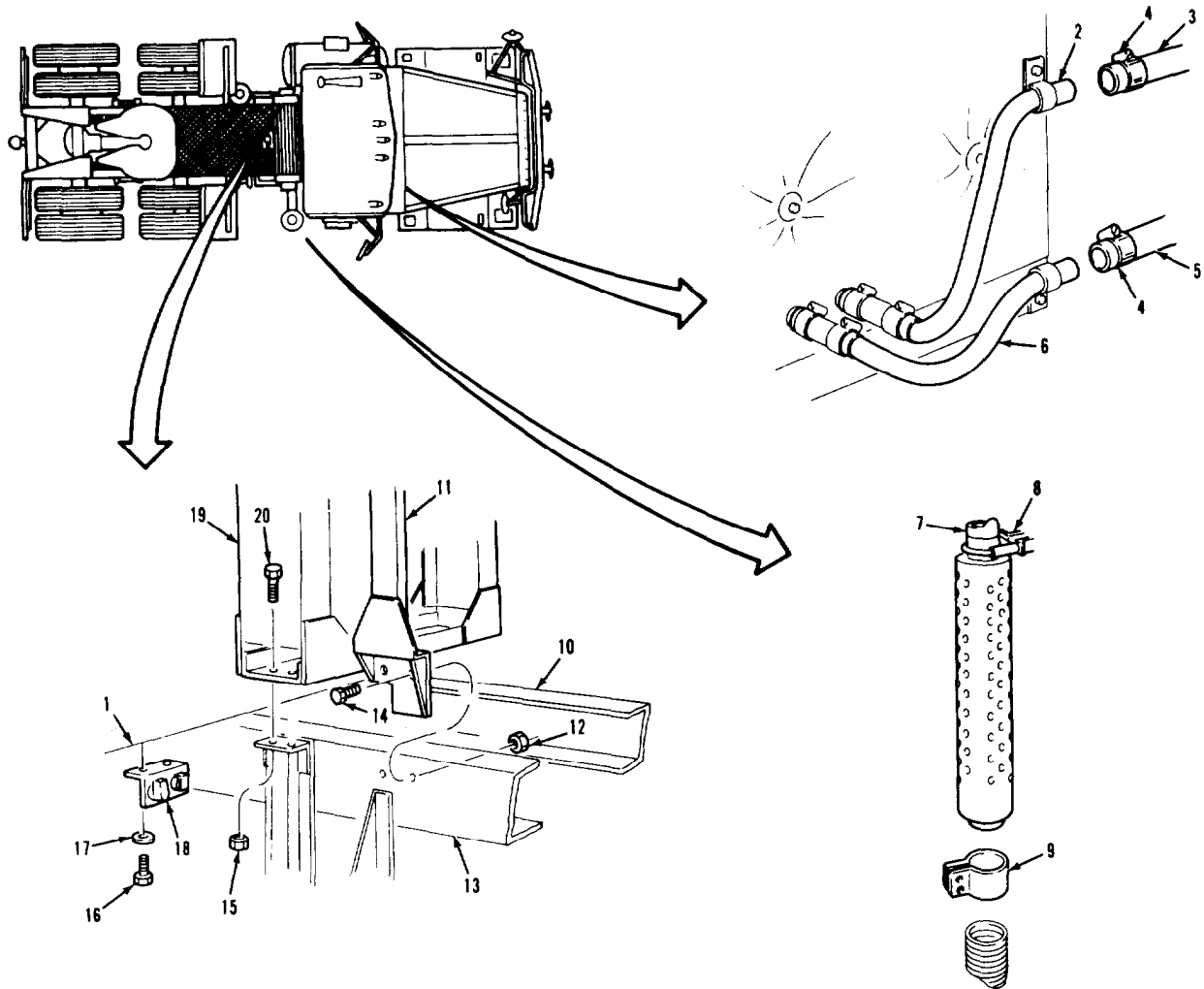
TA 238512

CAB AND BODY.

3-110. CAB SHELL REPLACEMENT (Continued).		
LOCATION/ITEM	ACTION	REMARKS
A. REMOVAL.		
1. Clamp (4).	a. Loosen. b. Slide down item (3).	
2. Hose (3).	Pull off of item (2).	Catch excess coolant in container.
3. Clamp (4).	a. Loosen. b. Slide down item (5).	
4. Hose (5).	Pull off from item (6).	Catch excess coolant in container.
5. Reducer (9).	Loosen and slide down.	
6. Four screws (20) and nuts (15).	Remove from item (19).	
7. Carrier (19).	Remove from item (13) and (10).	
NOTE		
When removing cab Indoors, ceiling clearance may be a problem. If this problem exists, do steps 8 thru 10; otherwise, go to step 11.		
8. Two screws (14) and nuts (12).	Remove from item (11).	
9. Pillar (11).	Remove from item (13).	Assistant helps remove item (11).
10. Clamp (8).	Loosen and remove item (7).	
11. Three screws (16) and lockwashers (17) 1	a. Remove from item (18). b. Remove item (18) from item (1).	

CAB AND BODY.

3-110. CAB SHELL REPLACEMENT (Continued).



LEGEND:

- | | |
|-------------------------------|---------------------------------|
| 1. CAB SHELL | 11. WINCH PILLAR ASSEMBLY |
| 2. HEATER INLET TUBE | 12. HEXAGON HEAD NUT (2) |
| 3. HEATER HOSE | 13. LEFT-HAND MAIN RAIL |
| 4. HOSE CLAMP (2) | 14. HEXAGON HEAD SCREW (2) |
| 5. HEATER TO FUEL HEATER HOSE | 15. HEXAGON HEAD NUT (4) |
| 6. HEATER OUTLET TUBE | 16. HEXAGON HEAD SCREW (3) |
| 7. EXHAUST STACK PIPE | 17. LOCKWASHER (3) |
| 8. CLAMP | 18. TRAILER RECEPTACLE BRACKET |
| 9. REDUCER COUPLING | 19. SPARE TIRE CARRIER ASSEMBLY |
| 10. RIGHT-HAND MAIN RAIL | 20. HEXAGON HEAD SCREW (4) |

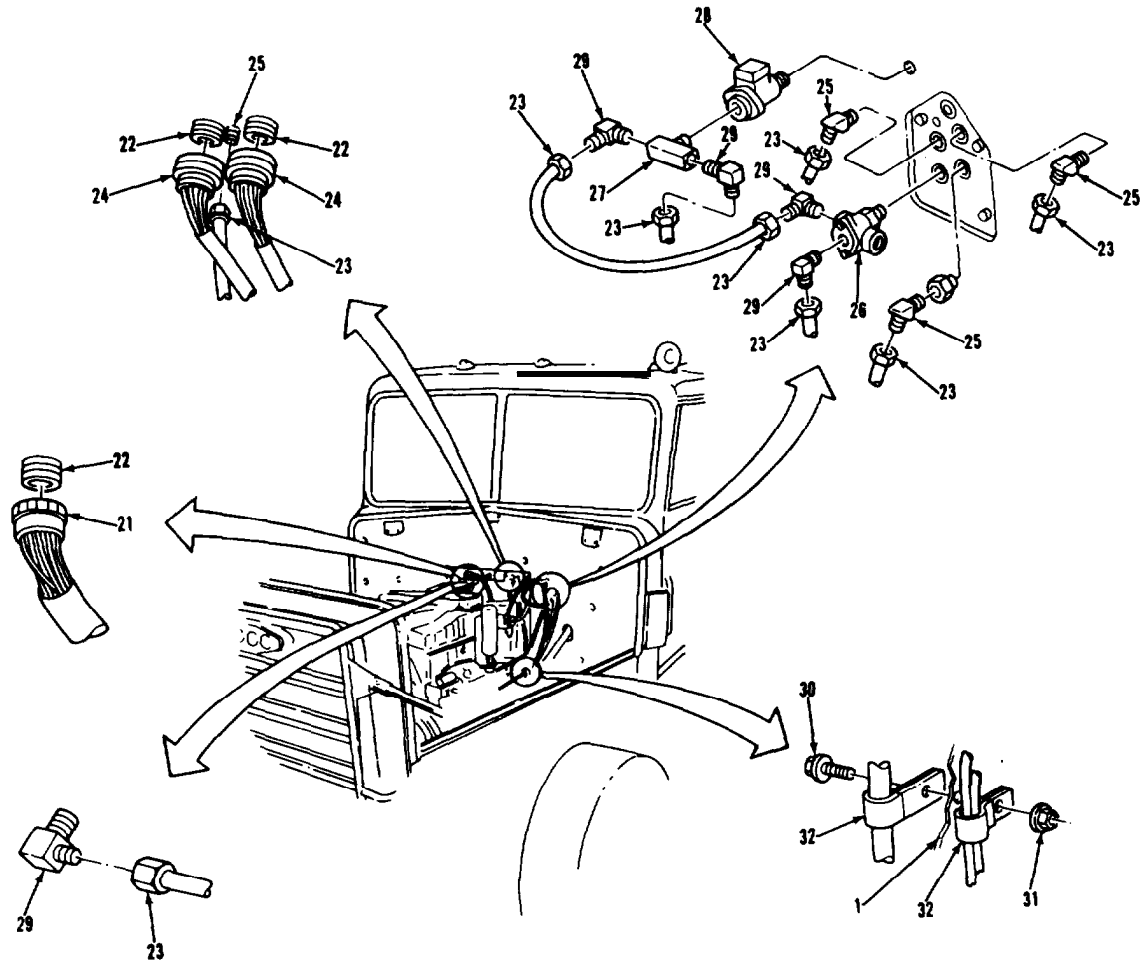
TA 238513

CAB AND BODY.

3-110. CAB SHELL REPLACEMENT (Continued).		
LOCATION/ITEM	ACTION	REMARKS
A. REMOVAL (Continued).		
NOTE		
Be sure to tag all air and electrical system connectors that are removed below.		
12. Connector (23).	Remove from item (26).	
13. Connector (23).	Remove from item (27).	
14. Connector (23).	Remove from item (28).	
15. Three connectors (23).	Remove from three items (29).	
16. Bolt (30) and nut (31).	a. Remove from two items (32). b. Remove two items (32) from item (1).	
17. Connector (23) (black).	Remove from item (29).	
18. Connector (23) (yellow).	Remove from item (25).	
19. Connector (21).	Remove from item (22).	
20. Two connectors (24).	Remove from two items (22).	

CAB AND BODY.

3-110. CAB SHELL REPLACEMENT (Continued).



LEGEND:

- | | |
|---|---------------------------------|
| 1. CAB SHELL | 26. CHECK VALVE |
| 21. ENGINE HARNESS | 27. TEE |
| 22. CONNECTOR (3) | 28. DOUBLE CHECK AND STOP VALVE |
| 23. MALE CONNECTOR (13) | 29. CONNECTOR ELBOW (4) |
| 24. CHASSIS AND FRONT CAB HARNESS CONNECTOR (2) | 30. HEXAGON BOLT (2) |
| 25. ELBOW | 31. HEXAGON NUT (2) |
| | 32. CUSHIONED CLAMP (3) |

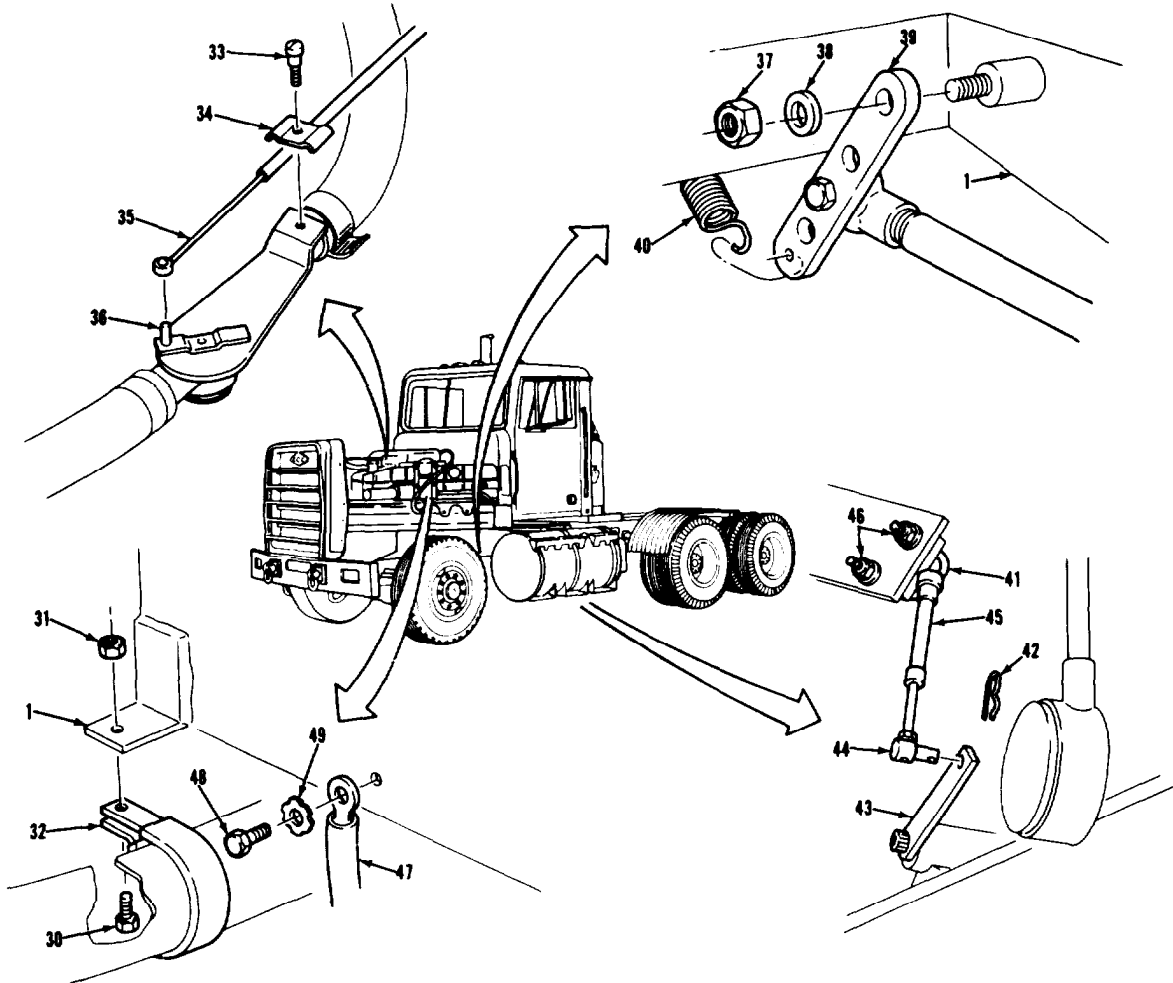
TA 238514

CAB AND BODY.

3-110. CAB SHELL REPLACEMENT (Continued).		
LOCATION/ITEM	ACTION	REMARKS
A. REMOVAL (Continued).		
21. Bolt (30) and nut (31).	<ul style="list-style-type: none"> a. Remove from item (32). b. Remove one item (32) from item (1). 	
22. Screw (48), lock-washer (49), and cable (47).	Remove from item (1).	Tag item (47).
23. Spring (40).	Remove from item (34).	
24. Nut (37) and washer (38).	<ul style="list-style-type: none"> a. Remove from item (39). b. Remove item (39) from item (1). 	Discard item (37).
25. Screw (33).	<ul style="list-style-type: none"> a. Loosen. b. Pull end of item (35) off of item (36). c. Remove item (35) from item (34) l 	
26. Pin (42).	<ul style="list-style-type: none"> a. Remove from item (44). b. Pull item (44) from item (43) l c. Pull item (44) from item (45) l 	Gain access from under vehicle.
27. Two nuts (46).	<ul style="list-style-type: none"> a. Loosen enough to allow item (45) to be pulled through item (41). b. Pull item (45) through item (41). 	Position loose item (45) away from obstacles to prevent snagging when item (1) is lifted.

CAB AND BODY.

3-110. CAB SHELL REPLACEMENT (Continued).



LEGEND:

- | | |
|---------------------------------|--|
| 1. CAB SHELL | 40. LEVER RETURN SPRING |
| 30. HEXAGON BOLT (2) | 41. U-BOLT |
| 31. HEXAGON NUT (2) | 42. COTTER PIN |
| 32. CUSHIONED CLAMP (3) | 43. LEVER |
| 33. SCREW | 44. TRUNNION |
| 34. CLAMP | 45. TRANSMISSION SHIFT CONNECT
CABLE ASSEMBLY |
| 35. BODEN WIRE | 46. HEXAGON HEAD LOCKNUT |
| 36. CHECK VALVE | 47. CAB TO FRAME CABLE GROUND |
| 37. PT NUT | 48. TAPPING SCREW |
| 38. WASHER | 49. INTERNAL/EXTERNAL LOCKWASHER |
| 39. ACCELERATOR BELLCRANK LEVER | |

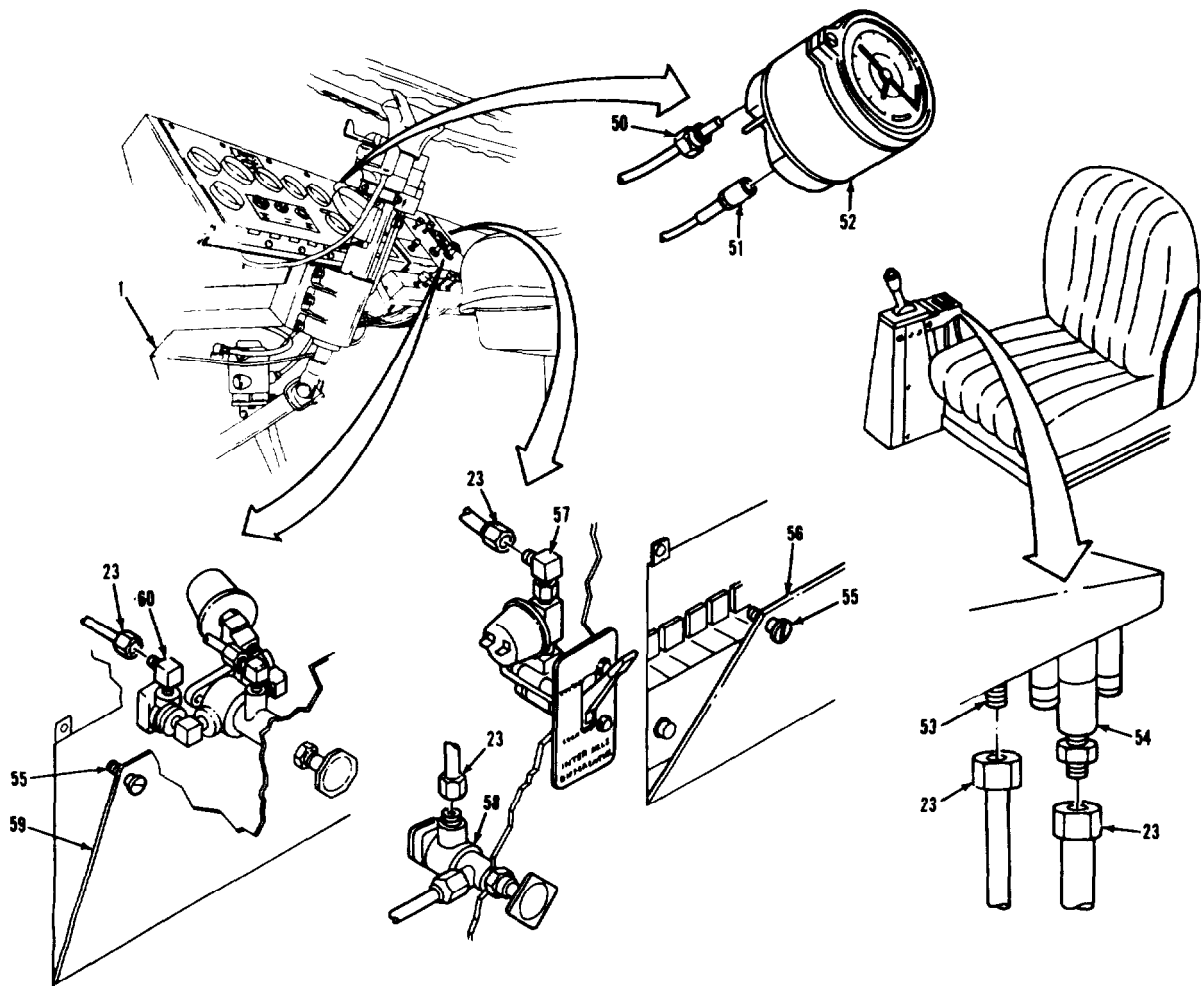
TA 238515

CAB AND BODY.

3-110. CAB SHELL REPLACEMENT (Continued).		
LOCATION/ITEM	ACTION	REMARKS
A. REMOVAL (Continued).		
28. Connector (23).	Remove from item (54).	
29. Connector (23).	Remove from item (53).	
30. Two loose connectors (23).	Push through hole in floor of item (1).	Tag two items (23) after pulling from item (1). Assistant helps from under item (1).
31. Three screws (55).	a. Turn 1/4-turn counterclockwise.	
	b. Open item (56).	
<u>CAUTION</u>		
Pull instrument panel door open slowly to prevent damage to equipment.		
32. Two screws (55).	a. Turn 1/4 turn counterclockwise.	
	b. Open item (59).	
33. Connector (23).	Remove from item (57).	
34. Connector (23).	Remove from item (58).	
35. Connector (23).	Remove from item (60).	
36. Three connectors (23).	Push through hole in item (1).	Tag items (23) after pushing from item (1).
37. Cable (50).	a. Remove from item (52).	
	b. Push through hole in item (1).	Tag item (50) after pushing from item (1).
38. Cable (51).	a. Remove from item (52).	
	b. Push through hole in item (1).	Tag item (51) after pushing from item (1).

CAB AND BODY.

3-110. CAB SHELL REPLACEMENT (Continued).



LEGEND:

- | | |
|-------------------------|--|
| 1. CAB SHELL | 55. QUARTER-TURN SCREW (5) |
| 23. MALE CONNECTOR (13) | 56. CIRCUIT BREAKER PANEL DOOR |
| 50. SPEEDOMETER CABLE | 57. INTERAXLE DIFFERENTIAL VALVE ELBOW |
| 51. TACHOGRAPH CABLE | 58. PARKING BRAKE VALVE |
| 52. TACHOGRAPH | 59. INSTRUMENT PANEL DOOR |
| 53. ELBOW | 60. TRAILER AIR SUPPLY VALVE ELBOW |
| 54. TOGGLE VALVE | |

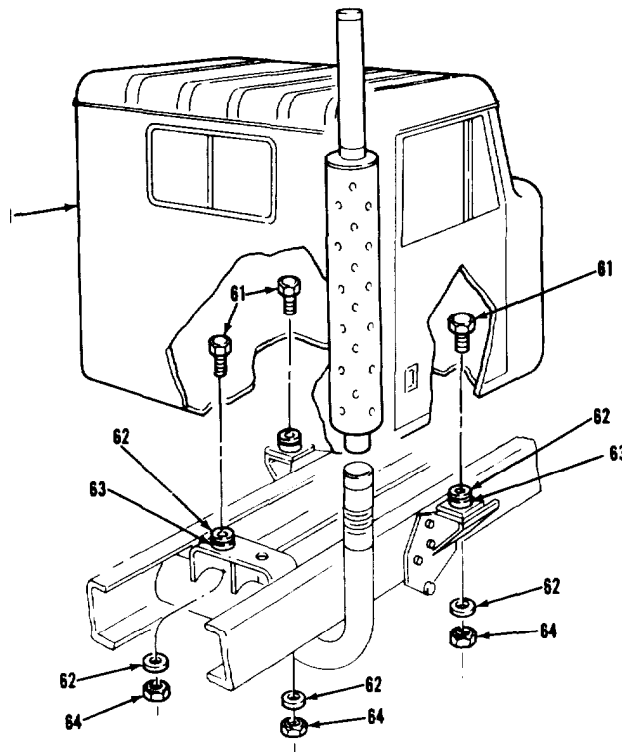
TA 238516

CAB AND BODY.

3-110. CAB SHELL REPLACEMENT (Continued).		
LOCATION/ITEM	ACTION	REMARKS
A. REMOVAL (Continued).		
39. Front left corner of floormat.	Pull back far enough to reach access hole.	Access hole located behind engine retarder foot switch pedal.
40. Two screws (61), washer (62) (lower) and nut (64).	Remove from two front items (63).	Assistant helps remove items (61), (62) (lower), and (64). Upper two items (62) stay in place, Discard two items (64).
41. Center rear part of floormat.	Pull back far enough to reach two access holes.	
NOTE		
One rear nut, screw, and lower washer shown here. Other rear nut, screw, and lower washer removed in same way.		
42. Two screws (61), washers (62) (lower) and nuts (64).	Remove from two rear items (63).	Assistant helps remove two items (61), (62) (lower), and (64). Discard two items (64).
<u>WARNING</u>		
Do not stand under or near cab when lifting. Cab could fall causing serious injury to you and other personnel.		
<u>CAUTION</u>		
Air and electrical connectors may get snagged as cab is lifted. Prevent damage by moving them clear before lifting cab.		
43. Cab (1).	a. Attach guide ropes.	One assistant operates hoist, other assistant helps guide item (1) onto wood blocks.
	b. Using suitable lifting device, raise item (1) and lower onto wood blocks.	Remove guide ropes.

CAB AND BODY.

3-110. CAB SHELL REPLACEMENT (Continued).



LEGEND:

- 1. CAB SHELL
- 61. HEXAGON MACHINE SCREW (4)
- 62. FLAT WASHER (8)
- 63. INSULATOR (4)
- 64. PT NUT (4)

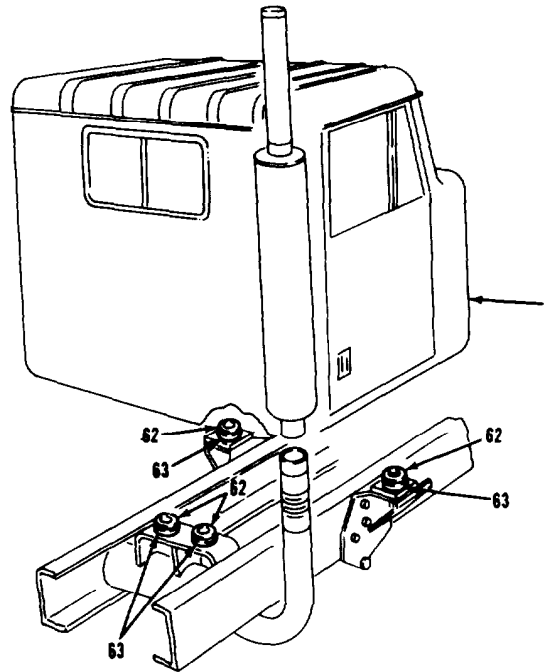
TA 238517

CAB AND BODY.

3-110. CAB SHELL REPLACEMENT (Continued).		
LOCATION/ITEM	ACTION	REMARKS
B. DISASSEMBLY/ASSEMBLY.		
NOTE		
<p>If old cab shell is being replaced, then good parts from it can be used to build up new cab shell. Use old cab shell as a guide. Since condition of old cab shell will vary, it will be up to you to determine which parts will be used. To help you decide if a part is usable, refer to your TM 9-2320-283-20 and TM 9-2320-283-34. These maintenance manuals will provide you with specific and general cleaning and inspecting instructions, as well as detailed instructions for removal and installation of specific parts.</p>		
C. INSTALLATION.		
44. Four upper washers (62).	Line up holes in four items (62) with holes in four items (63).	Check four items (63) for defects. If unserviceable replace (refer to paragraph 3-109).
<u>WARNING</u>		
Do not stand under or near cab when lifting. Cab could fall causing serious injury to you and other personnel.		
<u>CAUTION</u>		
Air and electrical connectors may get pinched as cab is set in place. Prevent damage by keeping them clear.		
45. Cab (1).	a. Attach guide ropes, b. Using suitable lifting device, raise in place about two inches above frame.	Line up holes in item (1) with holes in for items (62) and (53)

CAB AND BODY.

3-110. CAB SHELL REPLACEMENT (Continued).



LEGEND:

- 1. CAB SHELL
- 62. FLAT WASHER (8)
- 63. INSULATOR (4)

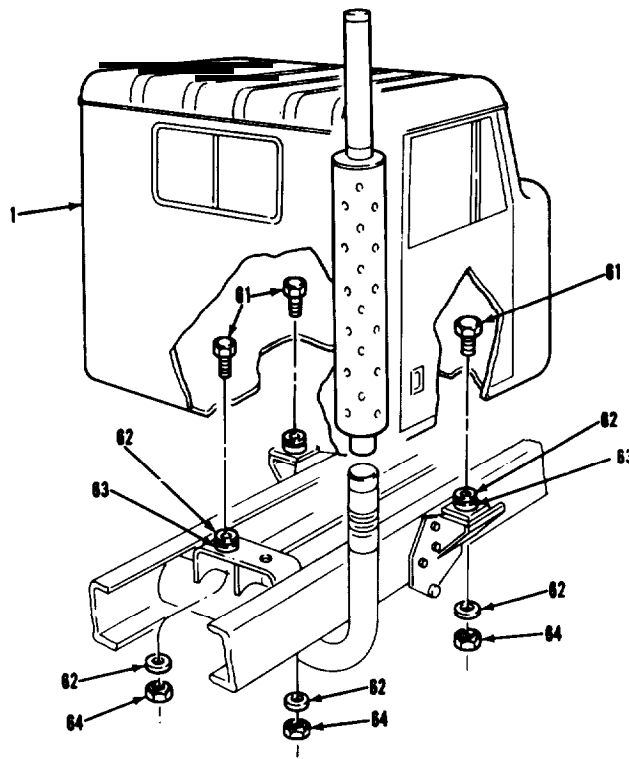
TA 238518

CAB AND BODY.

3-110. CAB SHELL REPLACEMENT (Continued)		
LOCATION/ITEM	ACTION	REMARKS
C. INSTALLATION (Continued).		
46. Cab (1).	Slowly lower into position.	
47. Front left corner of floormat.	Pull back far enough to reach access hole behind engine retarder foot switch pedal.	
48. Center rear part of floormat.	Pull back far enough to reach access holes.	
NOTE		
One rear nut, screw, and lower washer shown here. Other rear nut, screw, and lower washer installed in same way.		
49. Four screws (61).	Push into position.	Assistants may have to push item (1) slightly to allow four items (61) to fall down through four items (63).
50. Cab (1).	a. Secure with four items (61), (62) (lower), and new items (64).	Assistant helps secure items (61), (62) (lower), and new items (64). Torque to 130 lb-ft.
	b. Remove guide ropes.	
51. Front left corner of floormat.	Lay back into position.	
52. Center rear part of floormat.	Lay back into position.	

CAB AND BODY.

3-110. CAB SHELL REPLACEMENT (Continued).



LEGEND:

- 1. CAB SHELL
- 61. HEXAGON MACHINE SCREW (4)
- 62. FLAT WASHER (8)
- 63. INSULATOR (4)
- 64. PT NUT (4)

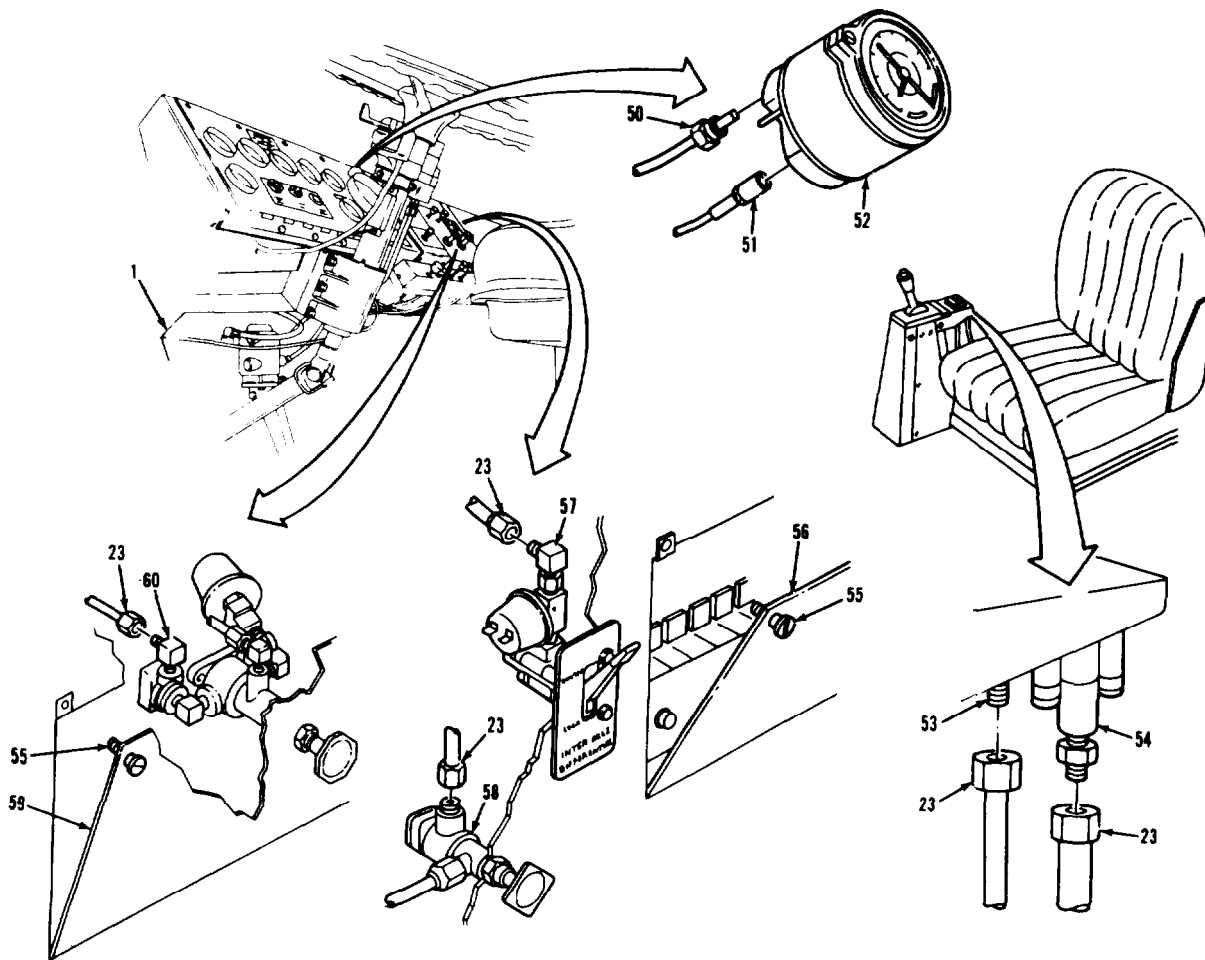
TA 238519

CAB AND BODY.

3-110. CAB SHELL REPLACEMENT (Continued).		
LOCATION/ITEM	ACTION	REMARKS
C. INSTALLATION (Continued).		
53. Cable (51).	a. Push through hole in item (1). b. Install to item (52).	
54. Cable (50).	a. Push through hole in item (1). b. Install to item (52).	
55. Three connectors (23).	Push through hole in item (1).	
56. Connector (23).	Install to item (60).	
57. Connector (23).	Install to item (58).	
58. Connector (23).	Install to item (57).	
59. Door (59).	a. Close. b. Secure by turning two items (55) clockwise.	
60. Door (56).	a. Close. b. Secure by turning three items (55) clockwise.	
61. Two connectors (23).	Push through hole in floor in item (1).	Assistant helps push two items (23) into item (1) from underneath.
62. Connector (23).	Install to item (53).	
63. Connector (23).	Install to item (54).	

CAB AND BODY.

3-110. CAB SHELL REPLACEMENT (Continued).



LEGEND:

- | | |
|-------------------------|--|
| 1. CAB SHELL | 55. QUARTER-TURN SCREW (5) |
| 23. MALE CONNECTOR (13) | 56. CIRCUIT BREAKER PANEL DOOR |
| 50. SPEEDOMETER CABLE | 57. INTERAXLE DIFFERENTIAL VALVE ELBOW |
| 51. TACHOGRAPH CABLE | 58. PARKING BRAKE VALVE |
| 52. TACHOGRAPH | 59. INSTRUMENT PANEL DOOR |
| 53. ELBOW | 60. TRAILER AIR SUPPLY VALVE ELBOW |
| 54. TOGGLE VALVE | |

TA 238520

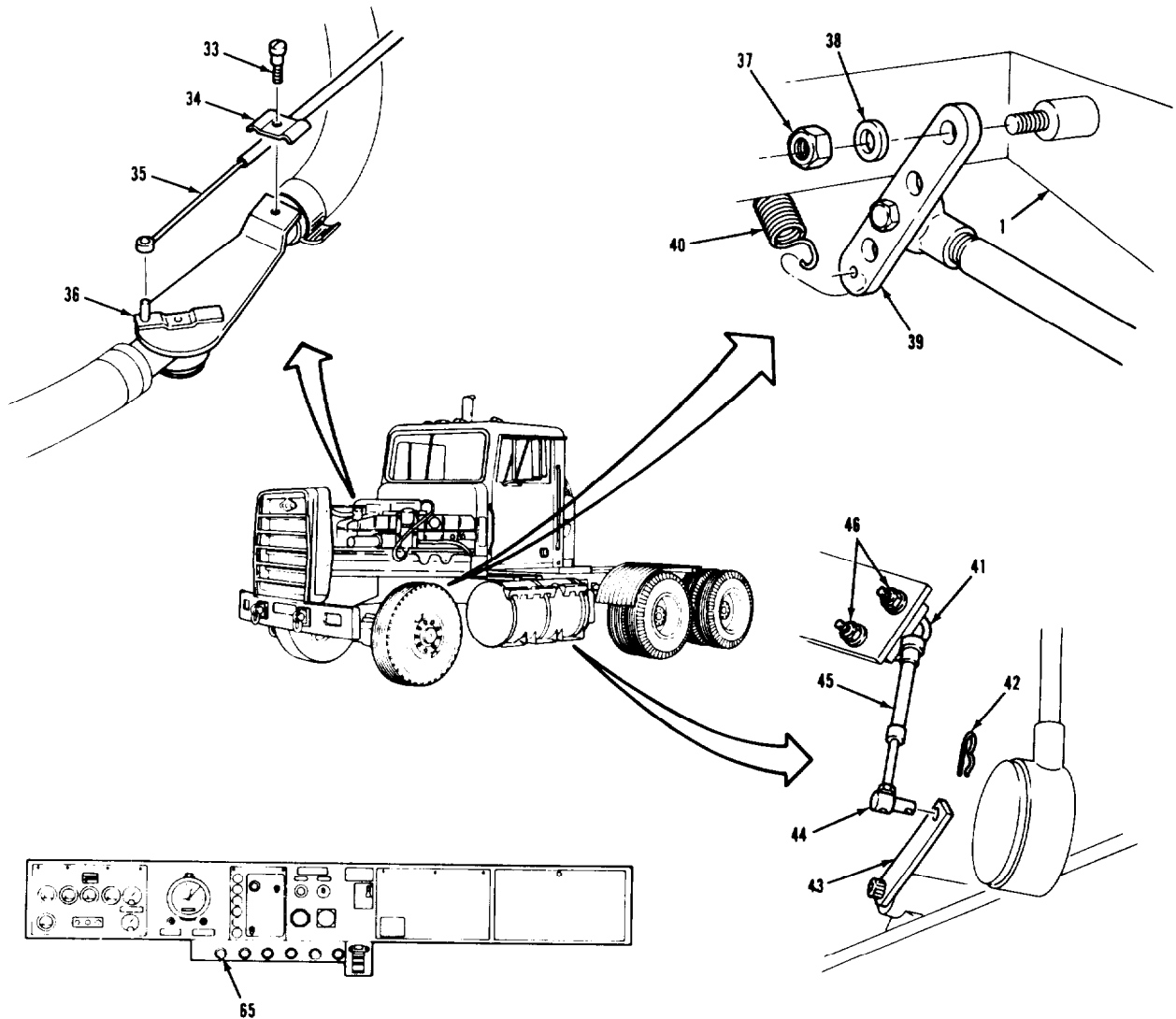
CAB AND BODY.

3-110. CAB SHELL REPLACEMENT (Continued).

LOCATION/ITEM	ACTION	REMARKS
C. INSTALLATION (Continued).		
64. Cable (45).	<ul style="list-style-type: none"> a. Feed through item (41). b. Put item (44) through hole at end of item (45). c. Put item (44) in item (43) and secure with item (42). d. Secure with two items (46) e. Adjust item (45). 	Refer to TM 9-2320-283-20.
65. Valve (36).	<ul style="list-style-type: none"> a. Push in item (65). b. Push lever on item (36) all the way forward. c. Position end of item (35) onto lever on item (36). d. Position item (35) under item (34). 	
66. Screw (33).	Tighten.	
67. Lever (39).	<ul style="list-style-type: none"> a. Line up top hole in item (39) with hole in item (1). b. Secure with item (37) and (38). 	
68. Spring (40).	Install on item (39).	

CAB AND BODY.

3-110. CAB SHELL REPLACEMENT (Continued).



LEGEND:

- | | |
|---------------------------------|--|
| 1. CAB SHELL | 41. U- BOLT |
| 33. SCREW | 42. COTTER PIN |
| 34. CLAMP | 43. LEVER |
| 35. BODEN WIRE | 44. TRUNNION |
| 36. CHECK VALVE | 45. TRANSMISSION SHIFT CONNECT
CABLE ASSEMBLY |
| 37. PT NUT | 46. HEXAGON HEAD LOCKNUT |
| 38. WASHER | 65. HEAT CONTROL KNOB |
| 39. ACCELERATOR BELLCRANK LEVER | |
| 40. LEVER RETURN SPRING | |

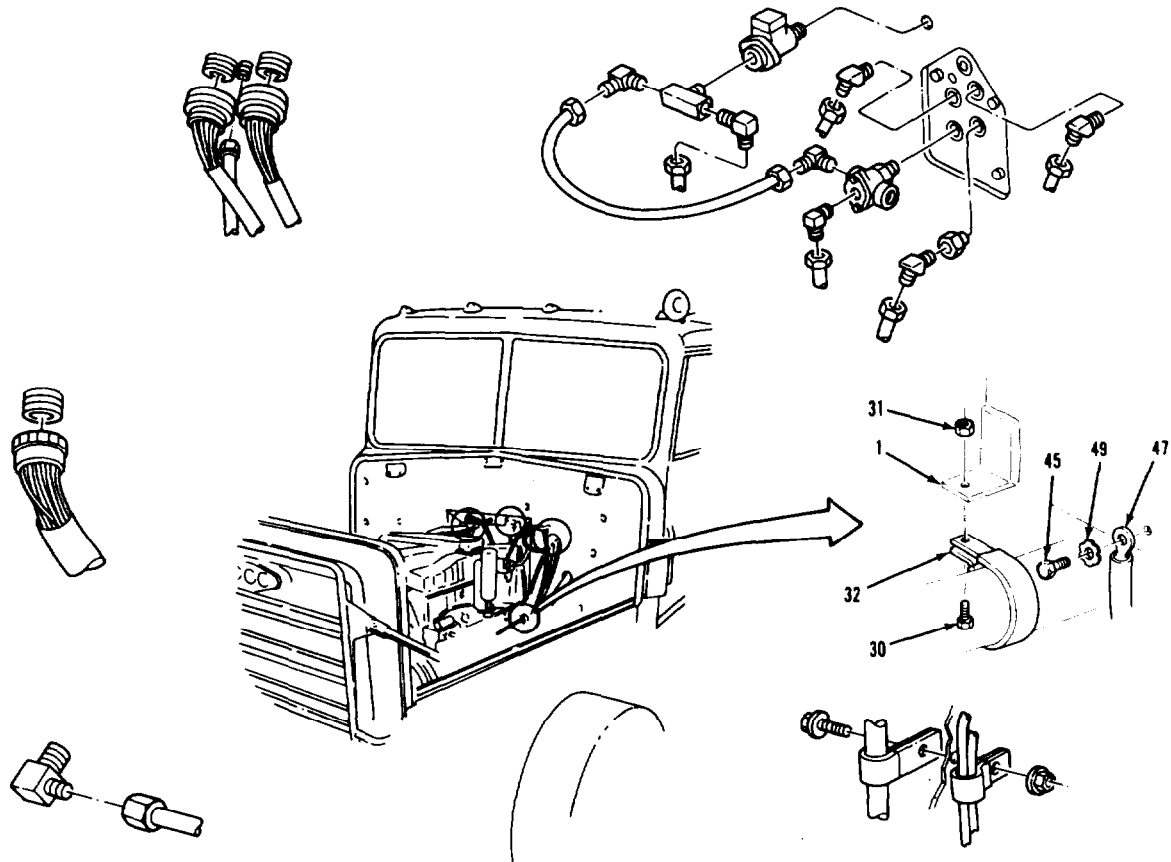
TA 238521

CAB AND BODY.

3-110. CAB SHELL REPLACEMENT (Continued).		
LOCATION/ITEM	ACTION	REMARKS
C. INSTALLATION (Continued).		
69. Cable (47).	<ul style="list-style-type: none"> a. Line up hole in terminal at end of item (47) with hole in item (1). b. Secure with items (48) and (49). 	
70. Clamp (32).	<ul style="list-style-type: none"> a. Line up hole in item (32) with hole in item (1). b. Secure with items (30) and (31). 	
71. Connector (21).	Install to item (22).	
72. Two connectors (24).	Install to two items (22).	
73. Connector (23).	Install to item (25).	
74. Connector (23).	Install to item (29).	
75. Two clamps (32).	<ul style="list-style-type: none"> a. Line up holes in two items (32) with hole in item (1). b. Secure with item (30) and item (31). 	Position one item (32) on each side of item (1).
76. Three connectors (23).	Install to three items (29).	
77. Connector (23).	Install to item (28).	
78. Connector (23).	Install to item (27).	
79. Connector (23).	Install to item (26).	

CAB AND BODY.

3-110. CAB SHELL REPLACEMENT (Continued).



LEGEND:

- | | |
|---|---|
| <p>1. CAB SHELL
 21. ENGINE HARNESS
 22. CONNECTOR (3)
 23. MALE CONNECTOR (13)
 24. CHASSIS AND FRONT CAB HARNESS CONNECTOR (2)
 25. ELBOW
 26. CHECK VALVE
 27. TEE</p> | <p>28. DOUBLE CHECK AND STOP VALVE
 29. CONNECTOR ELBOW (4)
 30. HEXAGON BOLT (2)
 31. HEXAGON NUT (2)
 32. CUSHIONED CLAMP (3)
 47. CAB TO FRAME CABLE GROUND
 48. TAPPING SCREW
 49. INTERNAL/EXTERNAL LOCKWASHER</p> |
|---|---|

TA 238521

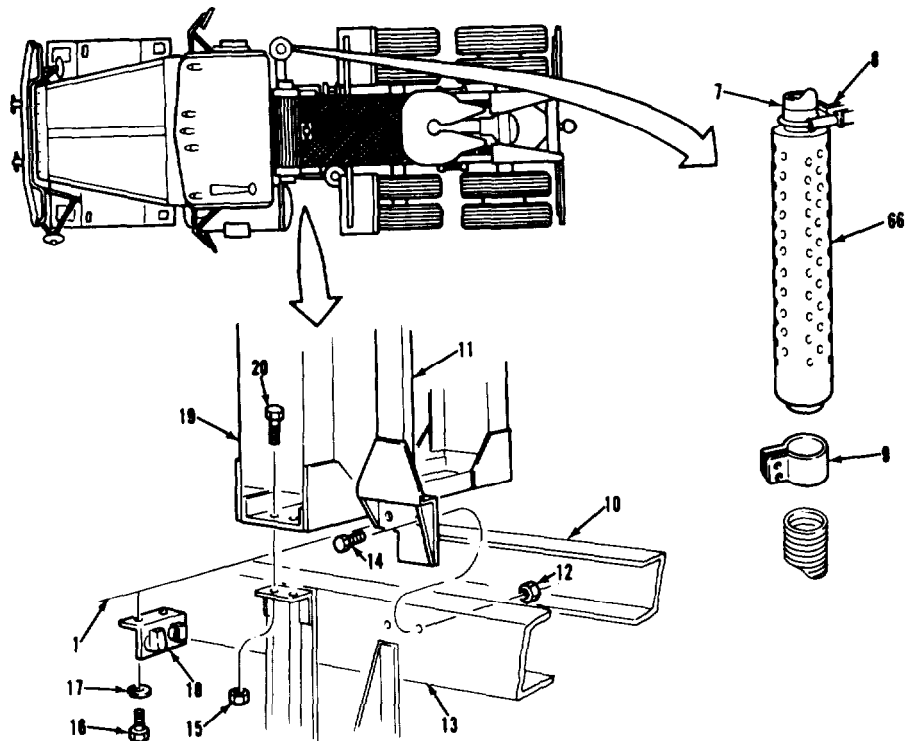
CAB AND BODY.

3-110. CAB SHELL REPLACEMENT (Continued).

LOCATION/ITEM	ACTION	REMARKS
C. INSTALLATION (Continued).		
NOTE		
If exhaust stack and winch pillar were removed; then do steps 85 and 86, otherwise, go to step 87.		
80. Pipe (7).	<ul style="list-style-type: none"> a. Install on item (66). b. Secure with item (8). 	
81. Pillar (11).	<ul style="list-style-type: none"> a. Line up holes in item (11) with holes in item (13). b. Secure with two items (14) and two items (12). 	Assistant helps install item (11).
82. Bracket (18).	<ul style="list-style-type: none"> a. Line up holes in item (18) with holes in item (1). b. Secure with three items (17) and (16). 	
83. Spare tire carrier assembly (19).	<ul style="list-style-type: none"> a. Line up holes in item (19) with holes in item (13) and item (14). b. Secure with four items (20) and (15). 	
84. Reducer (9).	<ul style="list-style-type: none"> a. Slide up into position. b. Tighten. 	

CAB AND BODY.

3-110. CAB SHELL REPLACEMENT (Continued).



LEGEND:

- | | |
|---------------------------|--------------------------------------|
| 1. CAB SHELL | 14. HEXAGON HEAD SCREW (2) |
| 7. EXHAUST STACK PIPE | 15. HEXAGON HEAD NUT (4) |
| 8. CLAMP | 16. HEXAGON HEAD SCREW (3) |
| 9. REDUCER COUPLING | 17. LOCKWASHER (3) |
| 10. RIGHT-HAND MAIN RAIL | 18. TRAILER RECEPTACLE BRACKET |
| 11. WINCH PILLAR ASSEMBLY | 19. SPARE TIRE CARRIER ASSEMBLY |
| 12. HEXAGON HEAD NUT (2) | 20. HEXAGON HEAD SCREW (4) |
| 13. LEFT-HAND MAIN RAIL | 66. MUFFLER AND HEAT SHIELD ASSEMBLY |

TA 238523

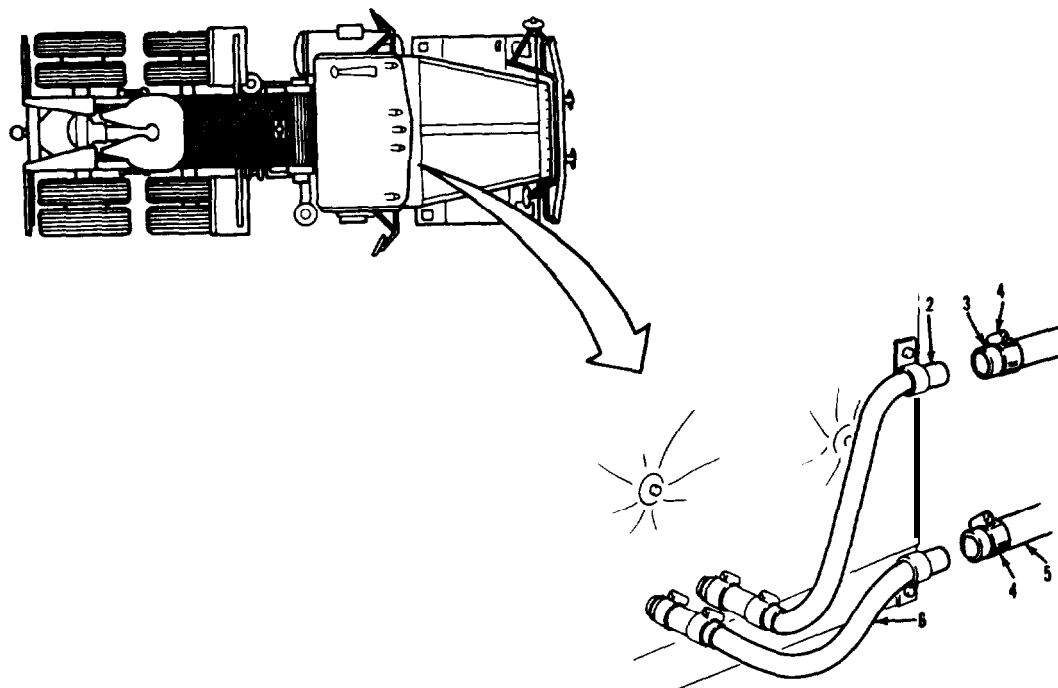
CAB AND BODY.

3-110. CAB SHELL REPLACEMENT (Continued).

LOCATION/ITEM	ACTION	REMARKS
C. INSTALLATION (Continued).		
85. Hose (5).	<ul style="list-style-type: none"> a. Push onto item (6). b. Slide item (4) in place. c. Tighten item (4). 	
86. Hose (3).	<ul style="list-style-type: none"> a. Push onto item (2). b. Slide item (4) in place, c. Tighten item (4). 	
NOTE		
Follow-on maintenance action required:		
<ul style="list-style-type: none"> Service cooling system (TM 9-2320-283-20). Install air cleaner (TM 9-2320-283-20). Install front fenders (TM 9-2320-283-20). Install crossbar supports (TM 9-2320-283-20). Install hood panels (TM 9-2320-283-20). Connect battery power (TM 9-2320-283-20). Perform operators before and weekly preventive maintenance checks and service (TM 9-2320-283-10). Perform organizational weekly and quarterly preventive maintenance checks and services (TM 9-2320-283-20). Install lower steering column (TM 9-2320-283-20). Install spare tire in carrier (TM 9-2320-283-10). Install fire extinguisher (TM 9-2320-283-10). 		

CAB AND BODY.

3-110. CAB SHELL REPLACEMENT (Continued).



LEGEND:

- 2. HEATER INLET TUBE
- 3. HEATER HOSE
- 4. HOSE CLAMP (2)
- 5. HEATER TO FUEL HEATER HOSE
- 6. HEATER OUTLET TUBE

TA 238524

CAB AND BODY.

3-111. DOOR REPLACEMENT.

THIS TASK COVERS

- a. Removal.
- b. Cleaning.
- c. Inspection.
- d. Installation.

INITIAL SETUP

APPLICABLE CONFIGURATIONS

**EQUIPMENT CONDITION
PARAGRAPH**

CONDITION DESCRIPTION

NOTE

TEST EQUIPMENT

Only remove door mirror if repairing door assembly. Do not remove mirror if accessing other parts.

TM 9-2320-283-20.

Door mirror removed.

SPECIAL TOOLS

None.

MATERIALS/PARTS (P/N)

Solution, soap
Item 30, Appendix B.
Lockwasher (9)
(24617) 138489.
Lockwasher (2)
(24617) 9417953.

PERSONNEL REQUIRED

Two (MDS-63W)

SPECIAL ENVIRONMENTAL CONDITIONS

None.

REFERENCES (TM)

TM 9-2320-283-20.
TM 9-2320-283-34P.

GENERAL SAFETY INSTRUCTIONS

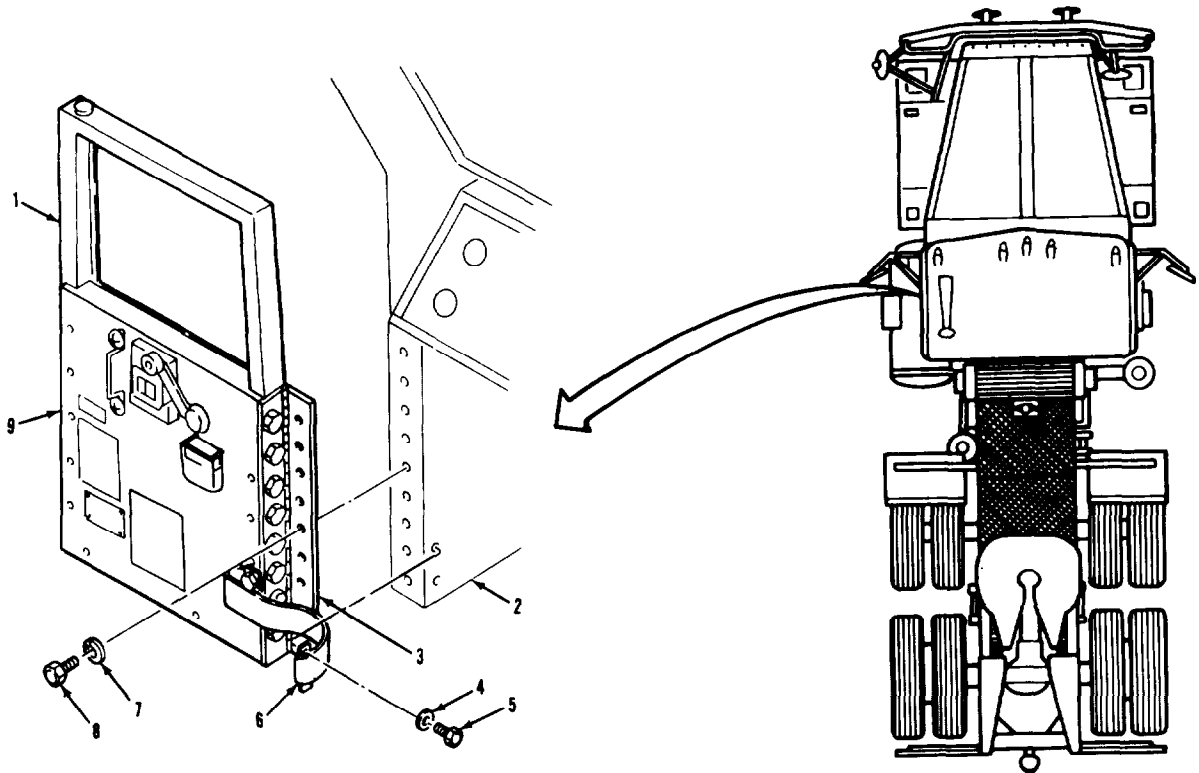
None.

TROUBLESHOOTING REFERENCES

None.

CAB AND BODY.

3-111. DOOR REPLACEMENT (Continued).



LEGEND:

- 1. LEFT-HAND DOOR SHELL FRAME
- 2. CAB SHELL
- 3. LEFT-HAND DOOR HINGE ASSEMBLY
- 4. LOCKWASHER (2)
- 5. MACHINE SCREW (2)

- 6. DOOR CHECK STRAP
- 7. LOCKWASHER (9)
- 8. MACHINE SCREW (9)
- 9. LEFT-HAND PANEL ASSEMBLY

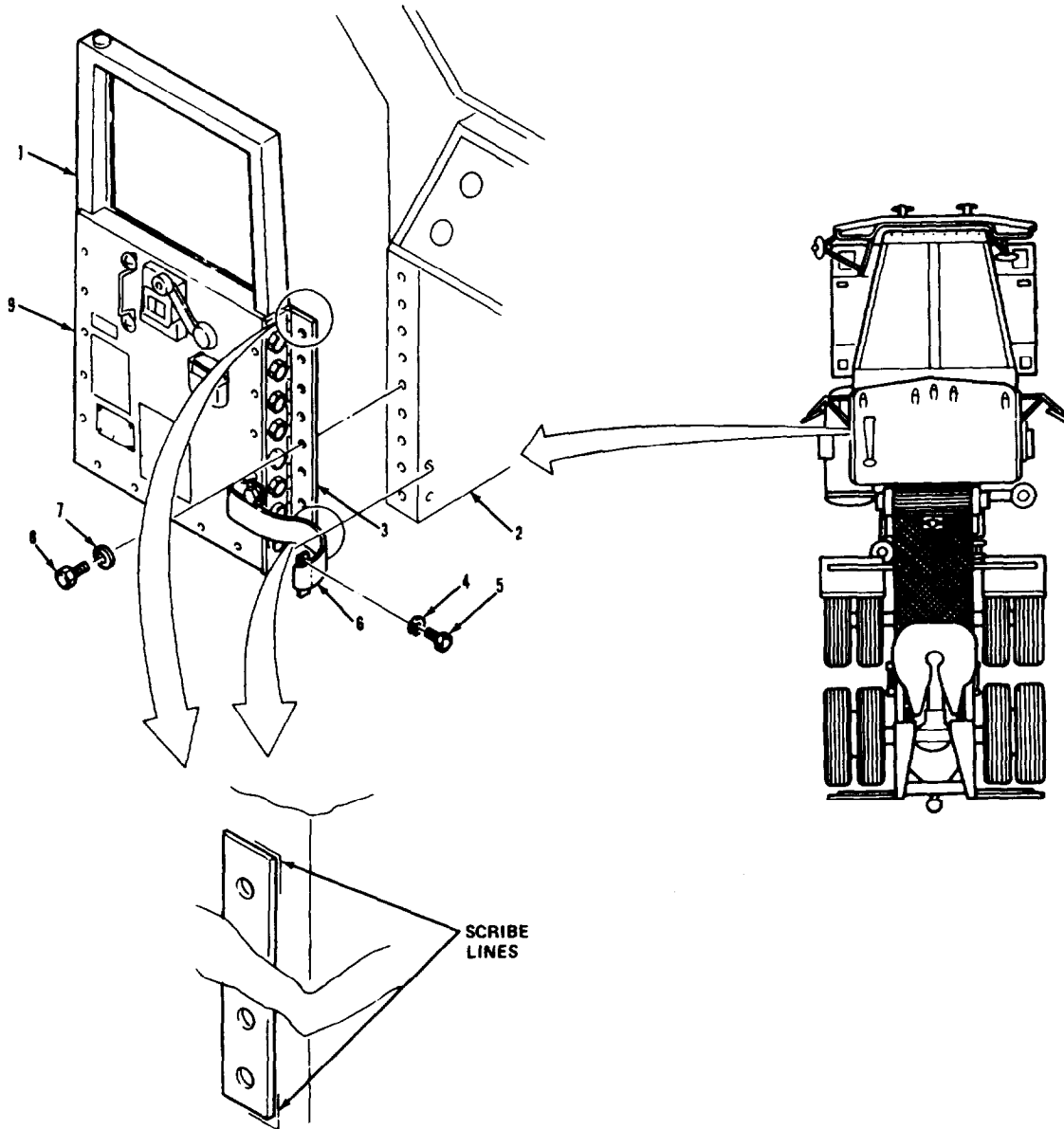
TA 238525

CAB AND BODY.

3-111. DOOR REPLACEMENT (Continued).		
LOCATION/ITEM	ACTION	REMARKS
A. REMOVAL.		
NOTE		
<p>Right-hand and left-hand door assemblies are removed in same way. Left-hand door assembly is shown here.</p>		
1. Door (1).	Open.	
2. Two screws (5), lockwashers (4), and one strap (6).	Remove from item (2).	Leave item (6) on item (9) 1
3. Left-hand door hinge assembly (3) and cab shell (2).	Scribe a line on item (2) around top and bottom corners of item (3). (See illustration).	This will aid you when you align item (1) during installation.
4. Door (1).	Use suitable lifting device to support item (1).	Assistant will operate lifting device.
<u>WARNING</u>		
<p>Direct all personnel to stand clear during hoisting operations. A heavy or swinging load can cause severe injury.</p>		
5. Nine screws (8), lockwashers (7), and door (1).	a. Remove from item (2).	Item (1) must be held to prevent swinging.
	b. Lower item (1) on wood blocks.	Discard items (4).
	c. Remove lifting device.	

CAB AND BODY.

3-111. DOOR REPLACEMENT (Continued).



LEGEND:

- | | |
|----------------------------------|-----------------------------|
| 1. LEFT-HAND DOOR SHELL FRAME | 6. DOOR CHECK STRAP |
| 2. CAB SHELL | 7. LOCKWASHER (9) |
| 3. LEFT-HAND DOOR HINGE ASSEMBLY | 8. MACHINE SCREW (9) |
| 4. LOCKWASHER (2) | 9. LEFT-HAND PANEL ASSEMBLY |
| 5. MACHINE SCREW (2) | |

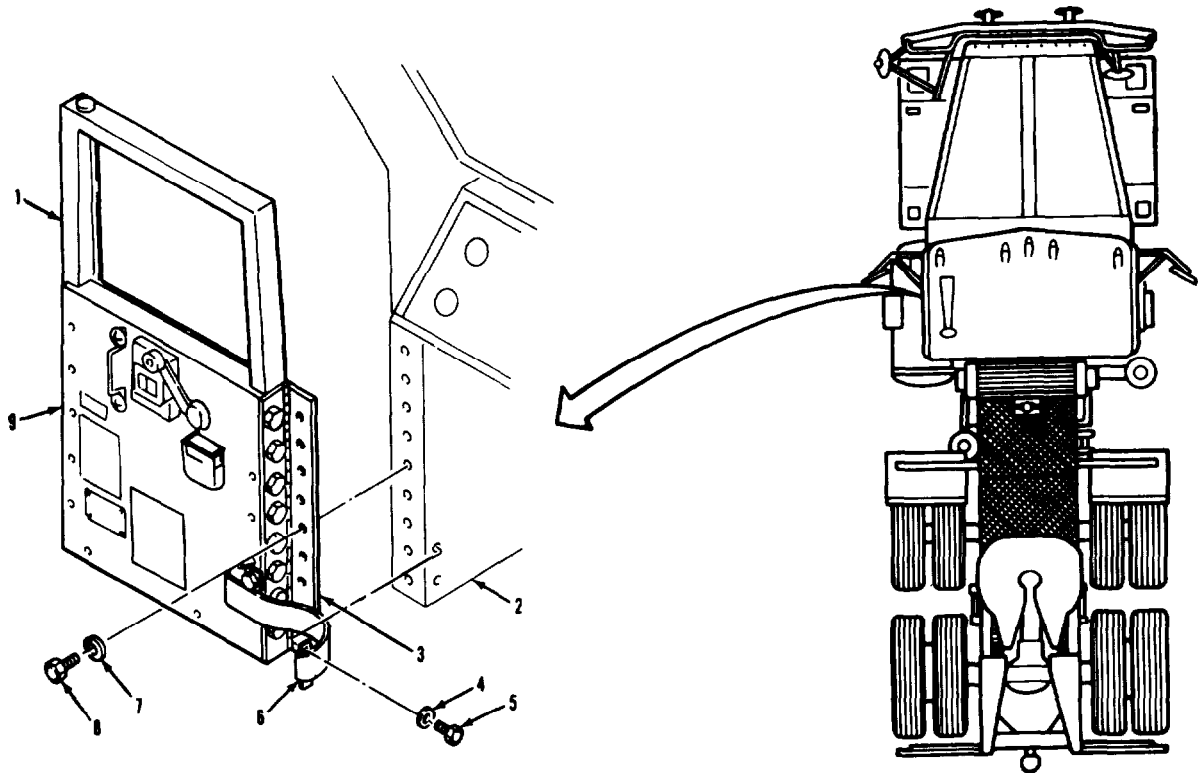
TA 238526

CAB AND BODY.

3-111. DOOR REPLACEMENT (Continued).		
LOCATION/ITEM	ACTION	REMARKS
B. CLEANING.		
6. Door (1).	Clean with soap and water.	
C. INSPECTION.		
7. Door (1).	Inspect.	Repair damaged parts paragraph 3-112.
D. INSTALLATION.		
<u>WARNING</u>		
<p>Direct all personnel to stand clear during hoisting operations. A heavy or swinging load can cause severe injury.</p>		
NOTE		
<p>Right-hand or left-hand door assemblies are installed in the same way. Left-hand door assembly is shown here.</p>		
8. Door (1).	<p>a. Install suitable lifting device for support.</p> <p>b. Lift in position and line up holes in item (3) with holes in item (2).</p> <p>c. Secure finger tight with nine items (8) and new items (7).</p> <p>d. Remove lifting device.</p>	<p>Assistant will operate lifting device.</p> <p>Start with center hole.</p>

CAB AND BODY.

3-111. DOOR REPLACEMENT (Continued).



LEGEND:

- | | |
|----------------------------------|-----------------------------|
| 1. LEFT-HAND DOOR SHELL FRAME | 6. DOOR CHECK STRAP |
| 2. CAB SHELL | 7. LOCKWASHER (9) |
| 3. LEFT-HAND DOOR HINGE ASSEMBLY | 8. MACHINE SCREW (9) |
| 4. LOCKWASHER (2) | 9. LEFT-HAND PANEL ASSEMBLY |
| 5. MACHINE SCREW (2) | |

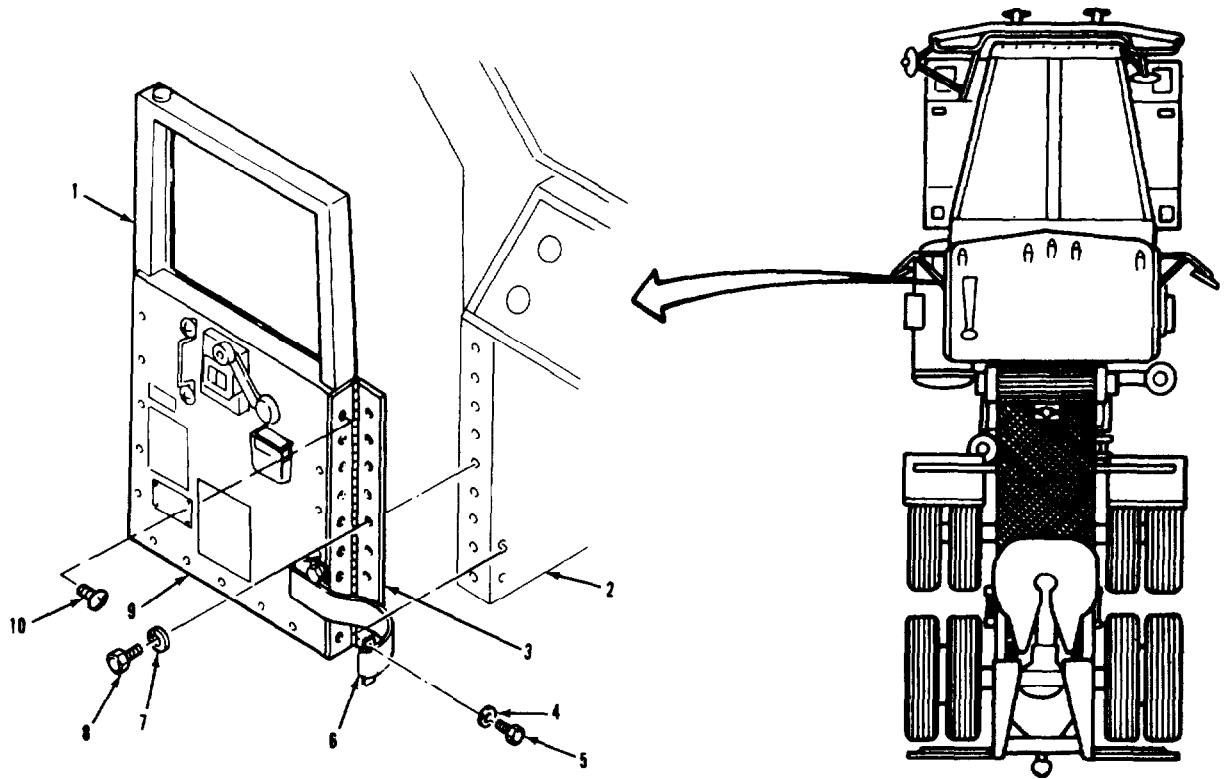
TA 238527

CAB AND BODY.

3-111. DOOR REPLACEMENT (Continued).		
LOCATION/ITEM	ACTION	REMARKS
D. INSTALLATION (Continued).		
9. Left-hand door hinge assembly (3).	<ul style="list-style-type: none"> a. Line up corners of item (3), with scribe lines on item (2). b. Tighten nine items (8). 	Assistant lifts and holds door (1).
10. Door (1).	<ul style="list-style-type: none"> a. Swing up to Item (2) opening and check alinement. b. Open. 	If item (1) is too high or too low with respect to opening, then do step 11. If Item (1) fits opening, then skip step 11.
11. Eight screws (10).	<ul style="list-style-type: none"> a. Loosen. b. Approximate your adjustment and tighten eight items (10). c. Repeat step 10. 	Assistant raises or lowers item (1) as directed. Assistant holds item (1) in place until secure.
12. Door (1).	Close and open.	If item (1) does not lock properly, adjust striker plate, refer to paragraph 3-113.
13. Strap (6).	<ul style="list-style-type: none"> a. Place in position on item (2). b. Secure with two items (5) and two new items (4). 	
14. Door (1).	Close.	
NOTE		
Follow-on maintenance action required:		
Install door mirror (TM 9- 2320- 283- 20).		

CAB AND BODY.

3-111. DOOR REPLACEMENT (Continued).



LEGEND:

- | | |
|---|------------------------------------|
| 1. LEFT-HAND DOOR SHELL FRAME | 6. DOOR CHECK STRAP |
| 2. CAB SHELL | 7. LOCKWASHER (9) |
| 3. LEFT-HAND DOOR HINGE ASSEMBLY | 8. MACHINE SCREW (9) |
| 4. LOCKWASHER (2) | 9. LEFT-HAND PANEL ASSEMBLY |
| 5. MACHINE SCREW (2) | |

TA 238528

CAB AND BODY.

3-112. DOOR REPAIR.

THIS TASK COVERS

- a. Disassembly.
- b. Cleaning.
- c. Inspection.
- d. Assembly.

INITIAL SETUP

<u>APPLICABLE CONFIGURATIONS</u>	<u>EQUIPMENT CONDITION PARAGRAPH</u>	<u>CONDITION DESCRIPTION</u>
All.	None.	None.

TEST EQUIPMENT
None.

SPECIAL TOOLS
None.

MATERIALS/PARTS (P/N)

Grease, white (suitable) Item 11, Appendix B.		Solvent, drycleaning, SD-2 Item 31, Appendix B.
Oil, lubricating, engine, OE/HDO-30		Soap, detergent Item 30, Appendix B.
Rags, wiping		Lockwasher (8) (24617) 138489.
Item 26, Appendix B.		

PERSONNEL REQUIRED
One (MDS-63V).

SPECIAL ENVIRONMENTAL CONDITIONS
None.

REFERENCES (TM)
TM 9-2320-283-20.
TM 9-2320-283-20P.
TM 9-2320-283-34P.

GENERAL SAFETY INSTRUCTIONS
None.

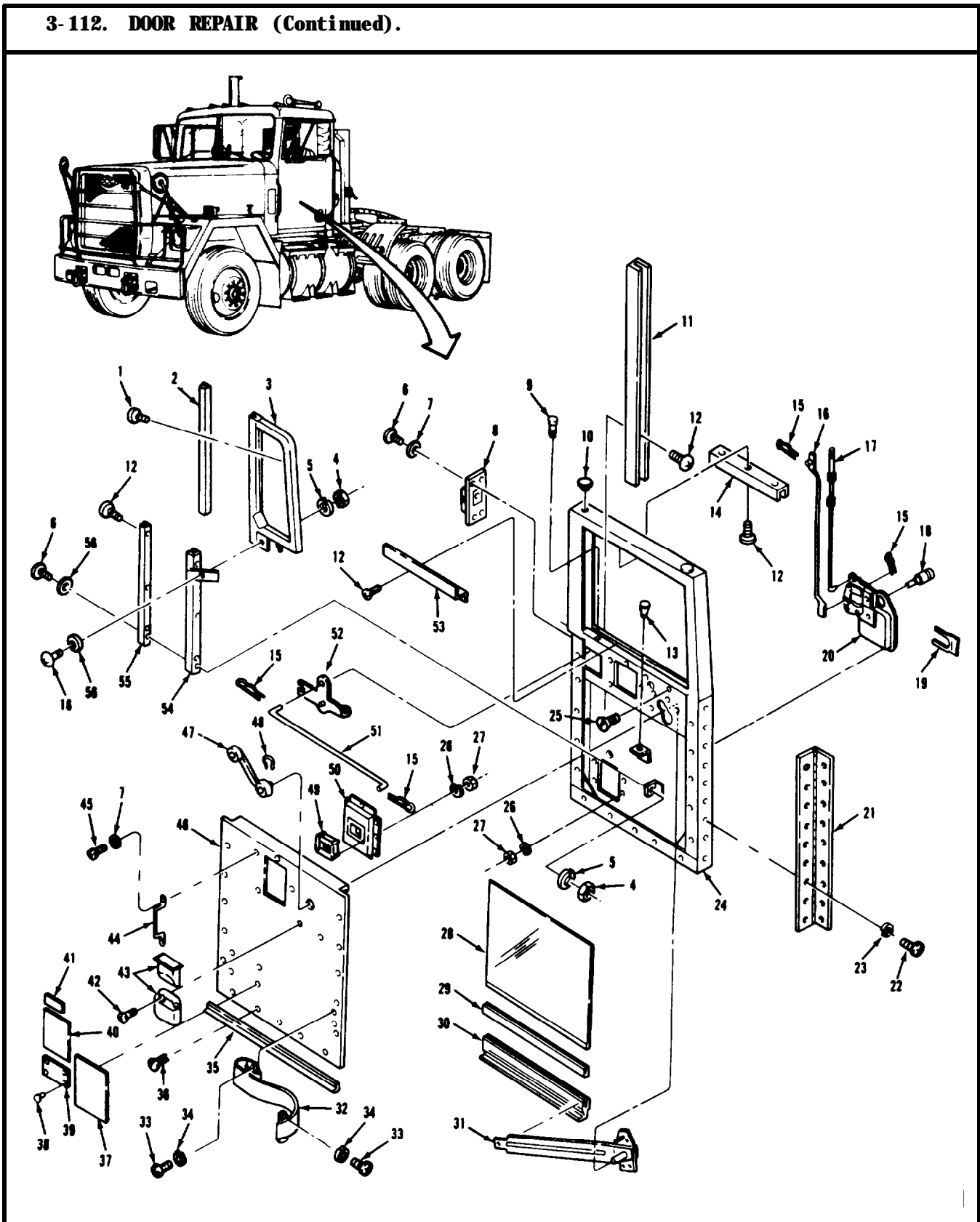
TROUBLESHOOTING REFERENCES
None.

CAB AND BODY.

3-112. DOOR REPAIR (Continued).		
LOCATION/ITEM	ACTION	REMARKS
<p>NOTE</p> <p>Due to the many parts being serviced in this procedure, the art presentation has been modified to improve clarity. The next two pages contain the art and legend for the door assembly. The first page shows the door assembly completely disassembled and the second page contains a complete legend. In the step-by-step instructions, art and legend will show and list only parts of the door assembly being discussed in the text. To avoid confusion, use the art and legend on the next two pages along with the detailed views in the text. They will aid you in seeing and understanding the exact disassembly and assembly procedure.</p>		

CAB AND BODY.

3-112. DOOR REPAIR (Continued).



CAB AND BODY.

3-112. DOOR REPAIR (Continued).

LEGEND:

- | | |
|---|--|
| <ul style="list-style-type: none"> 1. MACHINE SCREW (3) 2. FRONT UPPER WEATHER CHANNEL 3. LEFT-HAND DOOR VENT WINDOW ASSEMBLY 4. NUT (2) 5. LOCKWASHER (2) 6. MACHINE SCREW (6) 7. LOCKWASHER (8) 8. LEFT-HAND DOOR LATCH ASSEMBLY 9. DOOR LOCKING KNOB 10. BUTTON PLUG (5) 11. DOOR REAR WEATHER CHANNEL 12. MACHINE SCREW (16) 13. WINDOW STOP BUMPER 14. DOOR UPPER WEATHER CHANNEL 15. DOOR LATCH ROD CLIP (4) 16. OUTSIDE LATCH RELEASE DOOR ROD 17. INSIDE LATCH RELEASE DOOR ROD ASSEMBLY 18. LOCK AND KEY ASSEMBLY 19. LOCK ASSEMBLY RETAINER 20. LEFT-HAND OUTSIDE DOOR HANDLE ASSEMBLY 21. LEFT-HAND DOOR HINGE ASSEMBLY 22. MACHINE SCREW (8) 23. LOCKWASHER (8) 24. LEFT-HAND DOOR SHELL 25. MACHINE SCREW (4) 26. LOCKWASHER (8) 27. NUT (8) 28. DOOR GLASS 29. GLASS SETTING STRIP | <ul style="list-style-type: none"> 30. DOOR WINDOW GLASS CHANNEL ASSEMBLY 31. LEFT-HAND WINDOW REGULATOR ASSEMBLY 32. DOOR CHECK STRAP 33. MACHINE SCREW (4) 34. LOCKWASHER (4) 35. LOWER DOOR WEATHER SEAL 36. SELF-TAPPING SCREW (17) 37. TOWING INSTRUCTION DECAL 38. BLIND RIVET 39. NOMENCLATURE IDENTIFICATION DECAL 40. CERTIFICATION DECAL 41. RUST PROOFING DECAL 42. MACHINE SCREW (2) 43. LEFT-HAND DOOR ASH RECEPTACLE 44. DRIVER PULL HANDLE 45. MACHINE SCREW (4) 46. LEFT-HAND PANEL ASSEMBLY 47. HANDLE ASSEMBLY 48. SPRING CLIP 49. LEFT-HAND INSIDE DOOR HANDLE ASSEMBLY 50. LEFT-HAND INSIDE DOOR HANDLE BRACKET 51. DOOR LATCH RELEASE ROD 52. LEFT-HAND PLATE AND LEVER ASSEMBLY 53. DOOR PANEL WEATHER STRIP 54. LEFT-HAND LOWER CHANNEL ASSEMBLY 55. LOWER FRONT WEATHER CHANNEL 56. FLAT WASHER (2) |
|---|--|

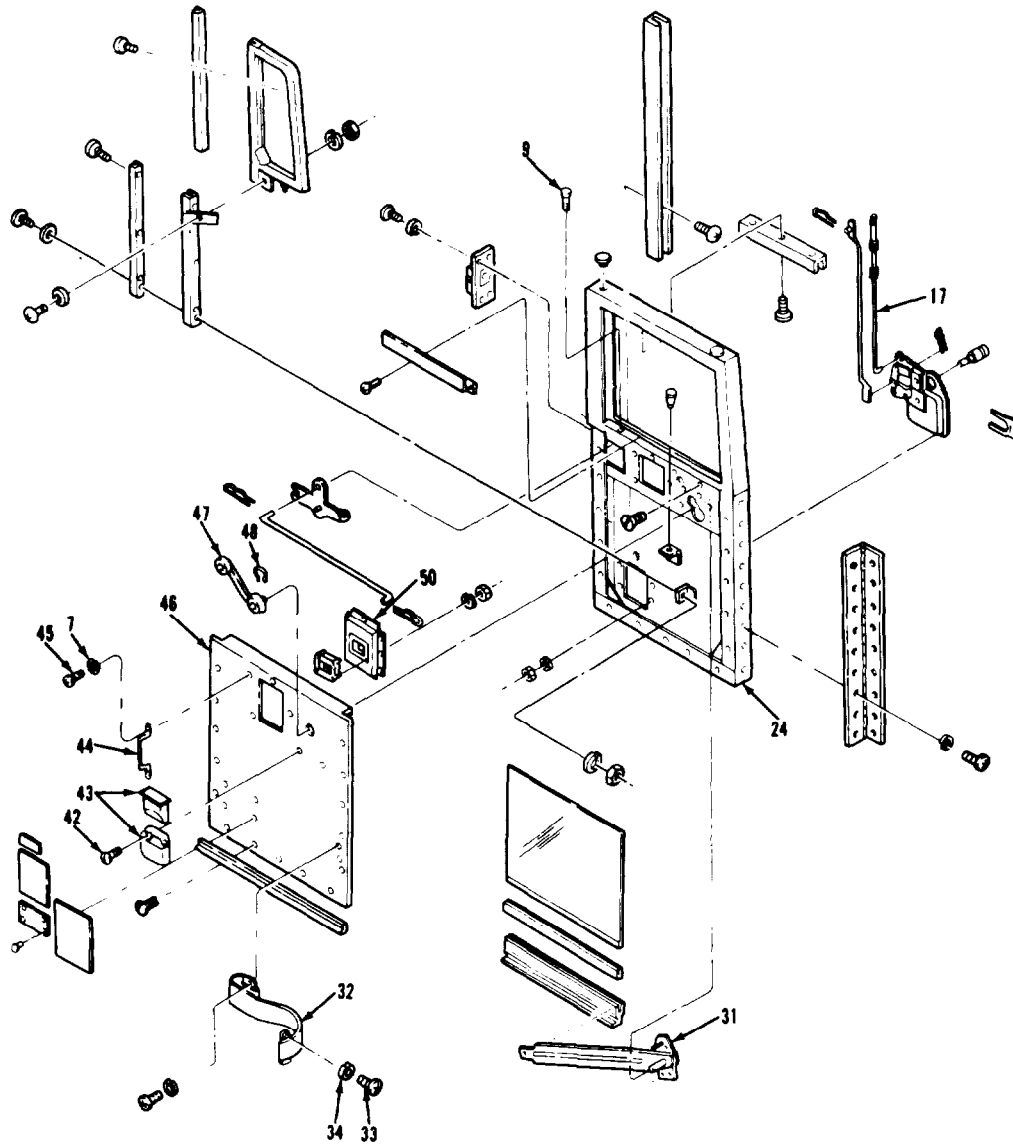
CAB AND BODY.

3-112. DOOR REPAIR (Continued).

LOCATION/ITEM	ACTION	REMARKS
A. DISASSEMBLY.		
NOTE		
<p>Left-hand and right-hand door are disassembled in same way, except as noted below. Left door shown here.</p>		
1. Knob (9).	Remove from item (17).	
2. Clip (48).	Remove from item (47).	
3. Handle assembly (47).	Remove from item (31).	
NOTE		
<p>Skip step 4 and 5 if repairing right door.</p>		
4. Receptacle (43)	Pull apart.	
5. Two screws (42).	a. Remove from item (43).	
	b. Remove item (43) from item (46).	
6. Four screws (33) and lockwashers (34).	a. Remove from item (32).	
	b. Remove item (32).	
7. Two screws (45) and lockwashers (7).	Remove from items (44) and (46).	Item (50) will be loose in item (24).

CAB AND BODY.

3-112. DOOR REPAIR (Continued).



- 7. LOCKWASHER (8)
- 9. DOOR LOCKING KNOB
- 17. INSIDE LATCH RELEASE DOOR ROD ASSEMBLY
- 24. LEFT-HAND DOOR SHELL
- 31. LEFT-HAND WINDOW REGULATOR ASSEMBLY
- 32. DOOR CHECK STRAP
- 33. MACHINE SCREW (4)

- 34. LOCKWASHER (4)
- 42. MACHINE SCREW (2)
- 43. LEFT-HAND DOOR ASH RECEPTACLE
- 44. DRIVER PULL HANDLE
- 45. MACHINE SCREW (4)
- 46. LEFT-HAND PANEL ASSEMBLY
- 47. HANDLE ASSEMBLY
- 48. SPRING CLIP
- 50. LEFT-HAND INSIDE DOOR HANDLE BRACKET

TA 238621

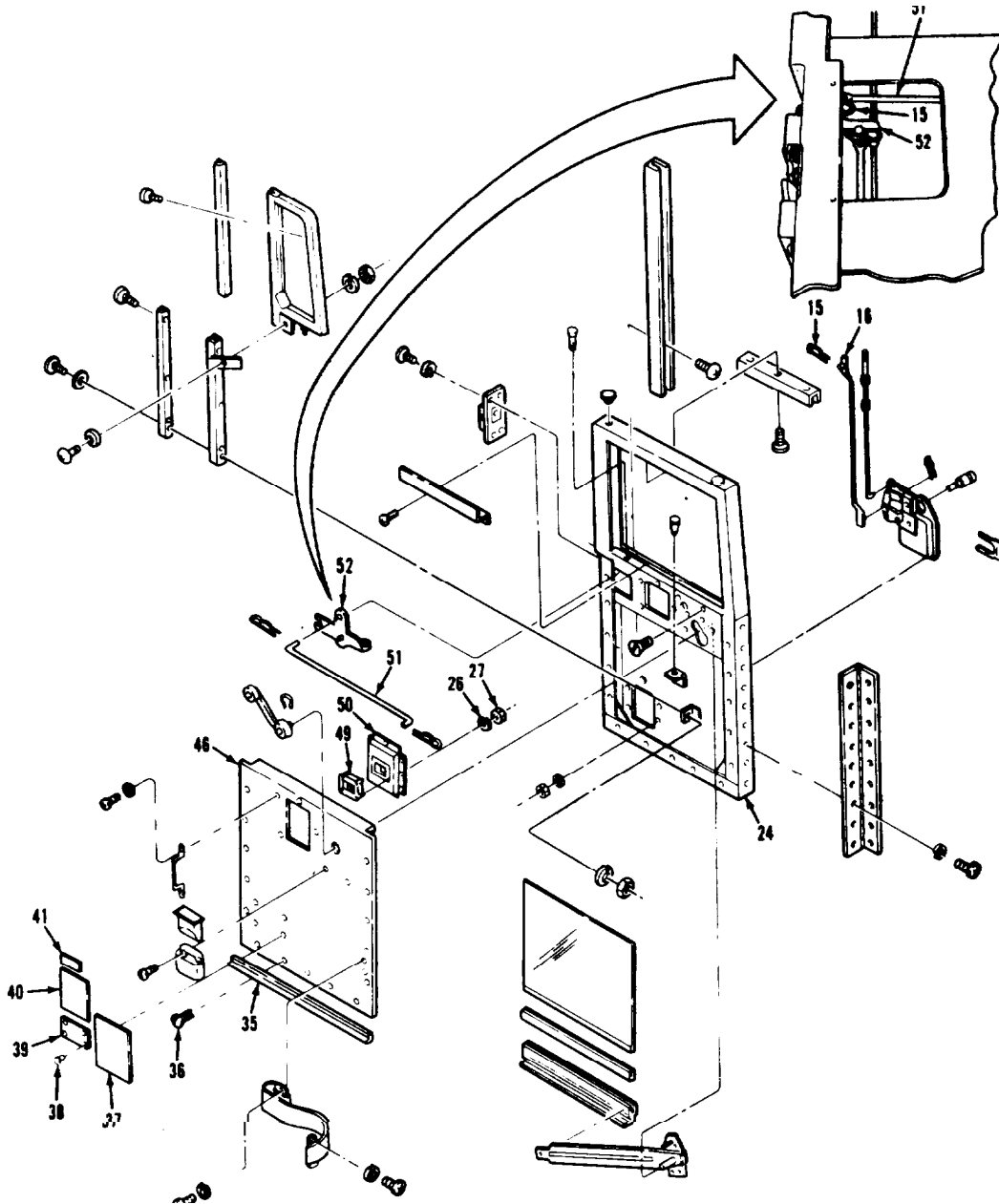
CAB AND BODY:

3-112. DOOR REPAIR (Continued).

LOCATION/ITEM	ACTION	REMARKS
A DISASSEMBLY (Continued).		
8. Seventeen screws (36) .	a. Remove from item (46). b. Remove item (46) from item (24).	
9. Seal (35).	Pull from item (46).	
NOTE		
Do step 11 if left-hand or right-hand panel assembly is replaced.		
10. Decals (37), (39), (40), (41), and four rivets (38).	Remove from item (46).	Refer to TM 9-2320-283-20.
11. Clip (15).	a. Pull from item (51) at item (52). b. Remove item (51) from item (52). (See illustration).	
12. Handle (49), bracket (50), and rod (51).	Remove from opening in item (24).	Items (49), (50), and (51) are removed as an assembly.
13. Clip (15).	a. Pull from item (51) at item (49). b. Remove item (51) from item (49).	
14. Four nuts (27) and lockwashers (26).	a. Remove from item (49). b. Remove item (49) from item (50).	
15. Clip (15).	a. Pull from top of item (16). b. Pull item (16) from item (52).	

CAB AND BODY.

3-112. DOOR REPAIR (Continued).



LEGEND:

- | | |
|------------------------------------|---|
| 15. DOOR LATCH ROD CLIP (4) | 39. NOMENCLATURE IDENTIFICATION DECAL |
| 16. OUTSIDE LATCH RELEASE DOOR ROD | 40. CERTIFICATION DECAL |
| 24. LEFT-HAND DOOR SHELL | 41. RUST PROOFING DECAL |
| 26. LOCKWASHER (8) | 46. LEFT-HAND PANEL ASSEMBLY |
| 27. NUT | 49. LEFT-HAND INSIDE DOOR HANDLE ASSEMBLY |
| 35. LOWER DOOR WEATHER SEAL | 50. LEFT-HAND INSIDE DOOR HANDLE BRACKET |
| 36. SELF-TAPPING SCREW (17) | 51. DOOR LATCH RELEASE ROD |
| 37. TOWING INSTRUCTION DECAL | 52. LEFT-HAND PLATE AND LEVER ASSEMBLY |
| 38. BLIND RIVET (4) | |

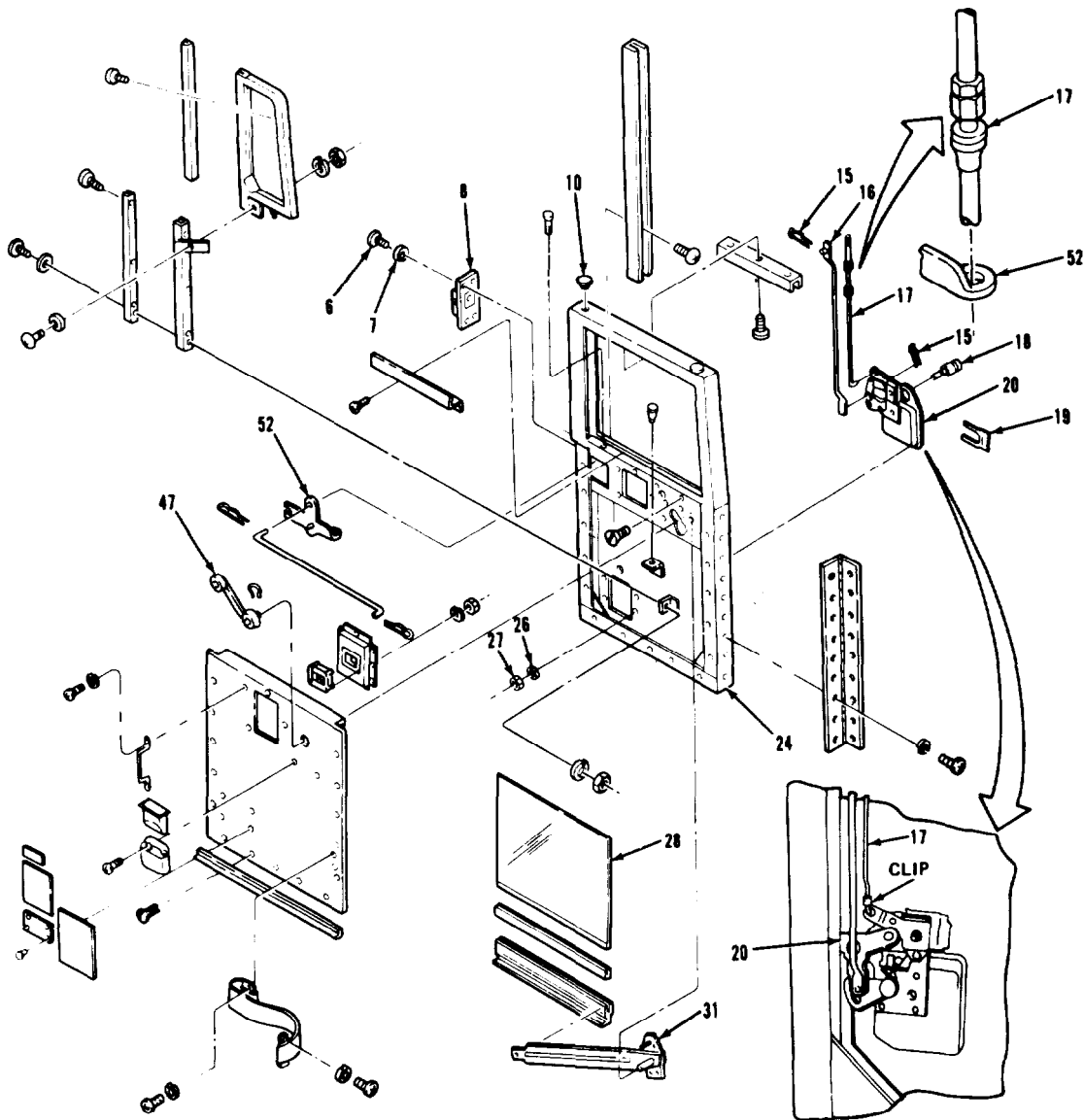
TA 238532

CAB AND BODY.

3-112. DOOR REPAIR (Continued).		
LOCATION/ITEM	ACTION	REMARKS
DISASSEMBLY (Continued).		
16. Four screws (6) and lockwashers (7).	a. Remove from item (8). b. Remove item (8) from item (24).	
17. Clip on handle (20).	a. Remove from item (17) (see illustration). b. Remove item (17) from item (20) .	
18. Left-hand plate and lever assembly (52) with attached rod (17).	Remove from item (24).	
19. Rod (17).	Remove from item (52) (see illustration).	
20. Retainer (19).	Pull from item (18).	
21. Lock assembly (18) .	Push out from item (24).	
22. Four nuts (27) and lockwashers (26).	Remove from item (20).	
23. Handle assembly (20) with attached rod (16).	Pull from item (24).	
24. Clip (15).	a. Remove from item (16) at item (20). b. Remove item (10) from item (20) l	
25. Handle assembly (47).	a. Place on item (31). b. Using item (47) roll item (28) all the way up.	

CAB AND BODY.

3-112. DOOR REPAIR (Continued).



LEGEND:

- 6. MACHINE SCREW (6)
- 7. LOCKWASHER (8)
- 8. LEFT-HAND DOOR LATCH ASSEMBLY
- 10. BUTTON PLUG (5)
- 15. DOOR LATCH ROD CLIP (4)
- 16. OUTSIDE LATCH RELEASE DOOR ROD
- 17. INSIDE LATCH RELEASE DOOR ROD
- 18. LOCK AND KEY ASSEMBLY
- 19. LOCK ASSEMBLY RETAINER

- 20. LEFT-HAND OUTSIDE DOOR HANDLE ASSEMBLY
- 24. LEFT-HAND DOOR SHELL
- 26. LOCKWASHER (8)
- 27. NUT (8)
- 28. DOOR GLASS
- 31. LEFT-HAND WINDOW REGULATOR ASSEMBLY
- 47. HANDLE ASSEMBLY
- 52. LEFT-HAND PLATE AND LEVER ASSEMBLY

TA 238533

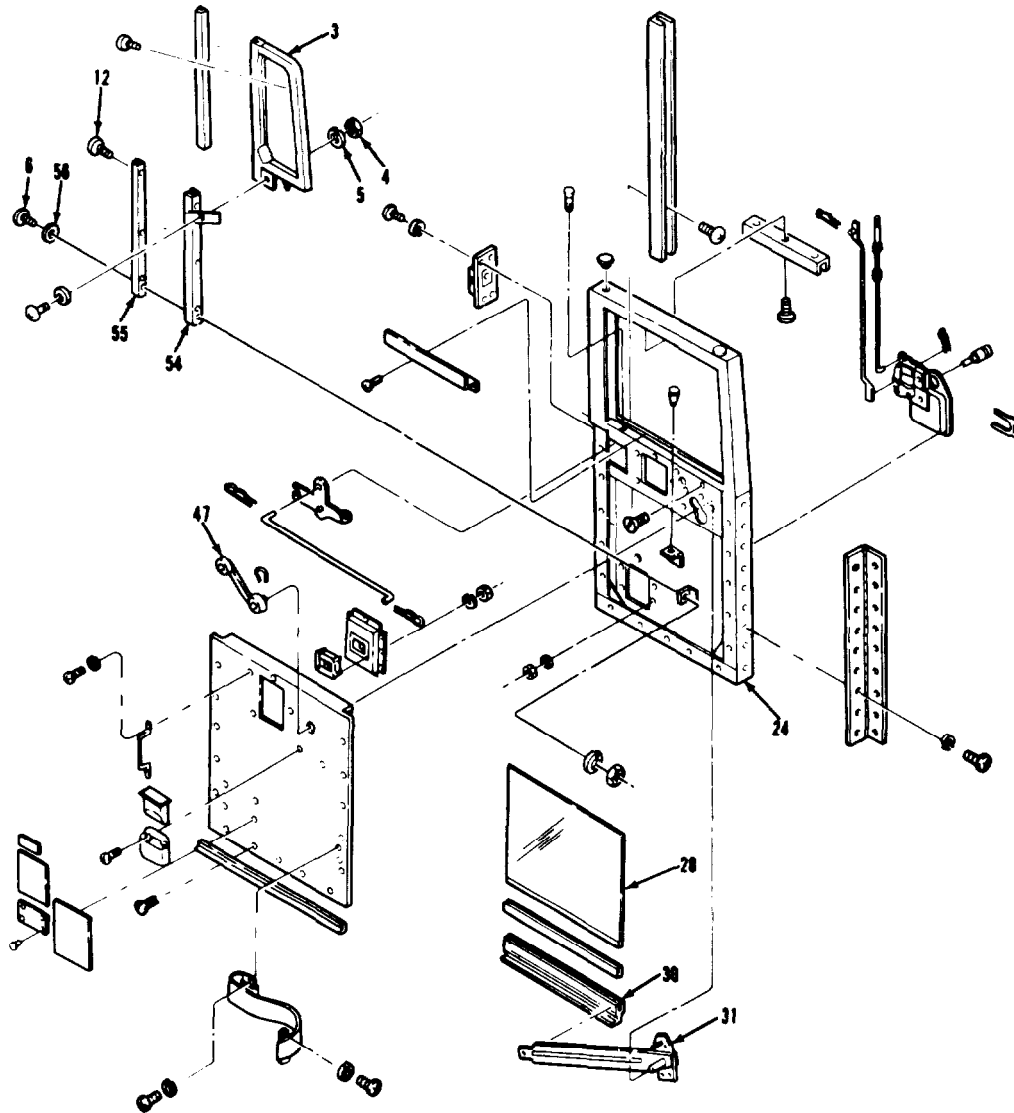
CAB AND BODY.

3-112. DOOR REPAIR (Continued).

LOCATION/ITEM	ACTION	REMARKS
A. DISASSEMBLY (Continued).		
26. Two nuts (4), lockwashers (5), washers (56), and screws (6).	a. Remove from item (54). b. Remove item (54) from item (3) at item (24).	Use access hole below item (3) to remove one item (6).
27. Three screws (12).	a. Remove from item (55). b. Remove item (55) from item (54).	
<u>CAUTION</u>		
Support door glass to prevent breakage or scratches.		
28. Handle assembly (47).	a. Using item (47) roll item (28) all the way down. b. Remove item (47) from item (31).	Assistant supports item (28) until item (28) is down.
<u>CAUTION</u>		
Support regulator to prevent regulator from striking and breaking door glass.		
29. Four screws (25).	Remove from item (31).	Assistant supports item (31) until clear of item (28).
30. Left-hand window regulator assembly (31).	a. Slide roller on item (31) out of groove in item (30). b. Remove item (31) from item (24).	

CAB AND BODY.

3-112. DOOR REPAIR (Continued).



LEGEND:

- | | |
|--|---|
| 3. LEFT-HAND DOOR VENT WINDOW ASSEMBLY | 30. DOOR WINDOW GLASS CHANNEL ASSEMBLY |
| 4. NUT (2) | 31. LEFT-HAND WINDOW REGULATOR ASSEMBLY |
| 5. LOCKWASHER (2) | 47. HANDLE ASSEMBLY |
| 6. MACHINE SCREW (6) | 54. LEFT-HAND LOWER CHANNEL ASSEMBLY |
| 12. MACHINE SCREW (16) | 55. LOWER FRONT WEATHER CHANNEL |
| 24. LEFT-HAND DOOR SHELL | 56. FLAT WASHER (2) |
| 25. MACHINE SCREW (4) | |
| 28. DOOR GLASS | |

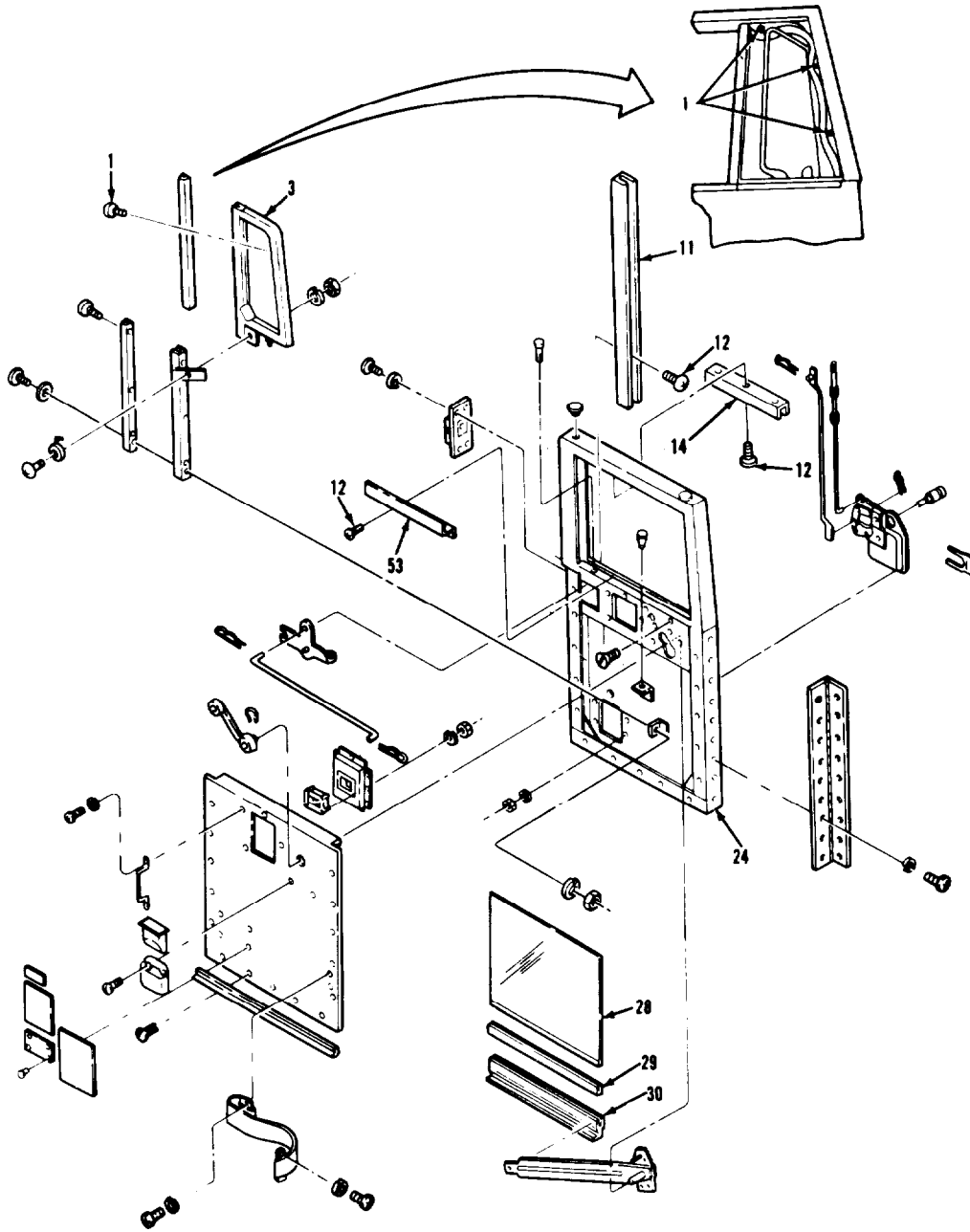
TA 238534

CAB AND BODY.

3-112. DOOR REPAIR (Continued).		
LOCATION/ITEM	ACTION	REMARKS
A. DISASSEMBLY (Continued).		
31. Glass (28), strip (29), and channel assembly (30) assembled.	Remove from item (24).	
32. Door window glass assembly (30).	Pull from item (29) and item (28).	Assistant holds item (28) until item (30) is removed.
33. Strip (29).	Pull from item (28).	Assistant holds item (28) until item (29) is removed.
34. Three screws (12).	a. Remove from item (14). b. Remove item (14) from item (24).	
35. Five screws (12).	a. Remove from item (11). b. Remove item (11) from item (24).	
36. Five screws (12).	a. Remove from item (53). b. Remove item (53) from item (24).	
37. Vent window assembly (30).	Open.	
38. Seal in vent window assembly (3).	Pull out in three places. (See illustration).	Done to gain access to three items (1).
39. Three screws (1).	Remove from item (3).	Assistant pulls and holds seal in item (3) down and out of way to aid in removal of three item (1).

CAB AND BODY.

3-112. DOOR REPAIR (Continued).



LEGEND:

- 1. MACHINE SCREW (3)
- 3. LEFT-HAND DOOR VENT WINDOW ASSEMBLY
- 11. DOOR REAR WEATHER CHANNEL
- 12. MACHINE SCREW (16)
- 14. DOOR UPPER WEATHER CHANNEL

- 24. LEFT-HAND DOOR SHELL
- 28. DOOR GLASS
- 29. GLASS SETTING STRIP
- 30. DOOR WINDOW GLASS CHANNEL ASSEMBLY
- 53. DOOR PANEL WEATHER STRIP

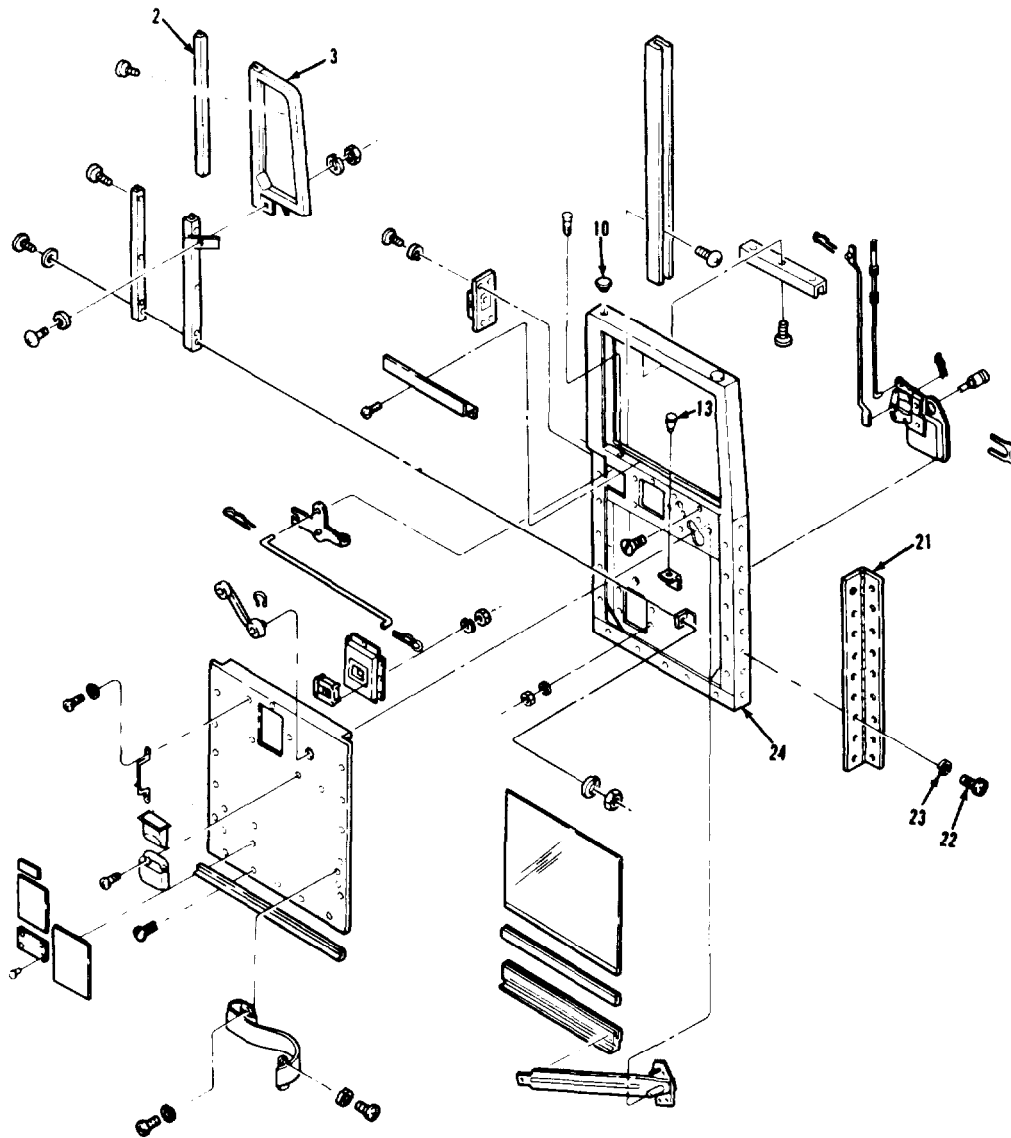
TA 238535

CAB AND BODY.

3-112. DOOR REPAIR (Continued).		
LOCATION/ITEM	ACTION	REMARKS
DISASSEMBLY (Continued).		
40. Vent window assembly (3).	Remove from item (24).	Assistant helps slide out item (3).
41. Channel (2).	Peel out from item (3).	
42. Bumper (13).	Remove from item (24).	
43. Five plugs (10).	Remove from item (24).	
NOTE		
Do steps 45 and 46 only when hinge is to be replaced.		
44. Door shell (24).	Remove.	Refer to paragraph 3-111.
45. Eight screws (22) and lockwashers (23) .	a. Remove from item (21). b. Remove item (21) from item (24).	Discard eight items (23) 1
B. CLEANING.		
46. All metal parts.	Clean.	Refer to paragraph 3-4.
47. All rubber parts.	Clean.	Refer to paragraph 3-4.
48. All plastic parts.	Clean.	Refer to paragraph 3-4.
49. All glass.	a. Clean with soap and water. b. Dry with clean dry rags.	

CAB AND BODY.

3-112. DOOR REPAIR (Continued).



LEGEND:

- 2. FRONT UPPER WEATHER CHANNEL
- 3. LEFT-HAND DOOR VENT WINDOW ASSEMBLY
- 10. BUTTON PLUG (5)
- 13. WINDOW STOP BUMPER

- 21. LEFT-HAND DOOR HINGE ASSEMBLY
- 22. MACHINE SCREW (8)
- 23. LOCKWASHER (8)
- 24. LEFT-HAND DOOR SHELL

TA 238536

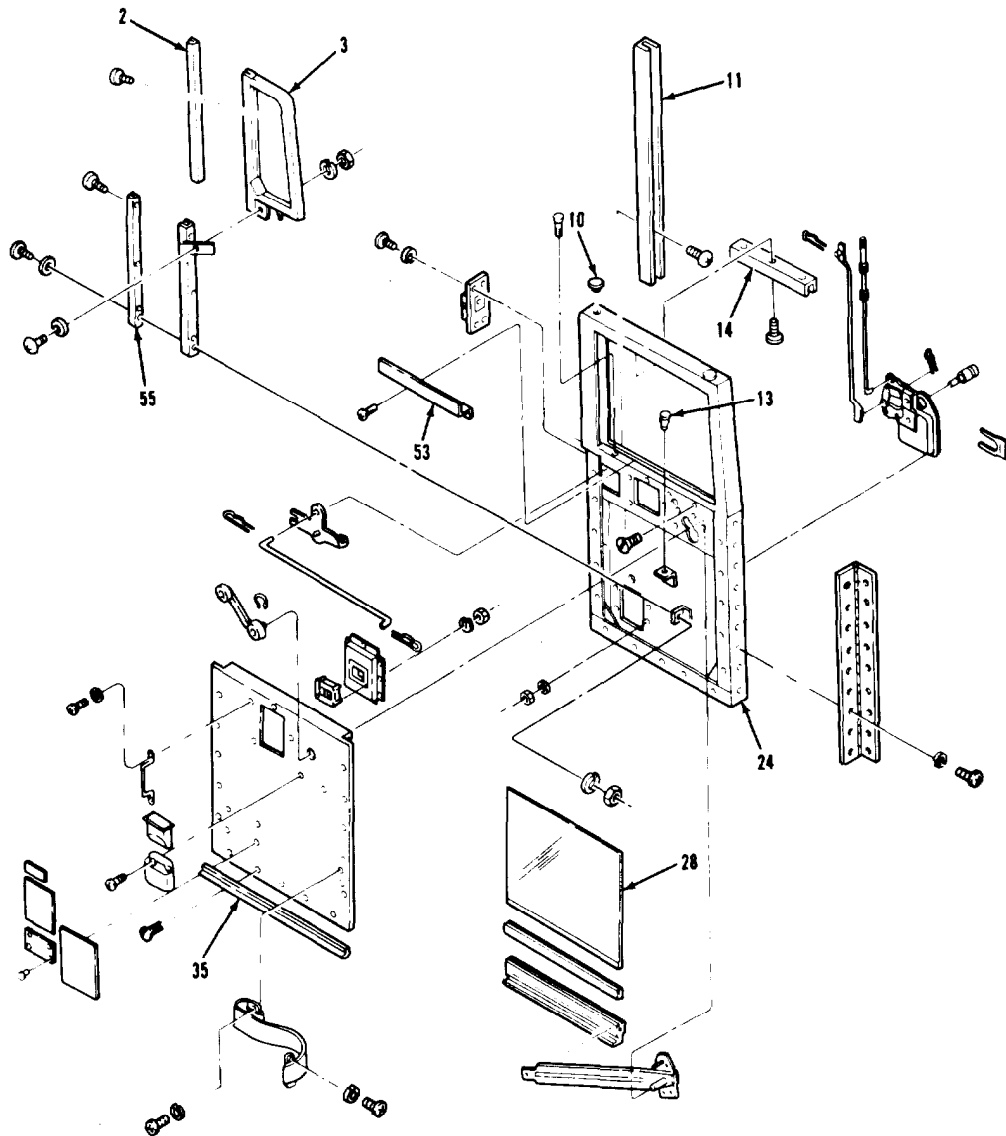
CAB AND BODY.

3-112. DOOR REPAIR (Continued).

LOCATION/ITEM	ACTION	REMARKS
C. INSPECTION.		
50. Channels (2), (11), and (14), strip (53), channel (55), and seal (35).	Inspect for tears, fraying, and missing pieces.	If damaged, replace.
51. Door glass (28) and glass in vent window (3).	Inspect for excessive scratches, pitting, chips, and cracks.	If damaged, replace.
52. All rubber parts.	Inspect.	Refer to paragraph 3-5.
53. All plastic parts.	Inspect.	Refer to paragraph 3-5.
54. All metal parts.	Inspect.	Refer to paragraph 3-5.
D. ASSEMBLY		
NOTE		
Left-hand and right-hand door are assembled in same way, except as noted below. Left door shown here.		
55. Five plugs (10).	Install in item (24).	
56. Bumper (13).	Install in item (24).	
57. Channel (2).	Install in item (3).	

CAB AND BODY.

3-112. DOOR REPAIR (Continued).



LEGEND:

- | | |
|--|---------------------------------|
| 2. FRONT UPPER WEATHER CHANNEL | 24. LEFT-HAND DOOR SHELL |
| 3. LEFT-HAND DOOR VENT WINDOW ASSEMBLY | 28. DOOR GLASS |
| 10. BUTTON PLUG (5) | 35. LOWER DOOR WEATHER SEAL |
| 11. DOOR REAR WEATHER CHANNEL | 53. DOOR PANEL WEATHER STRIP |
| 13. WINDOW STOP BUMPER | 55. LOWER FRONT WEATHER CHANNEL |
| 14. DOOR UPPER WEATHER CHANNEL | |

TA 238537

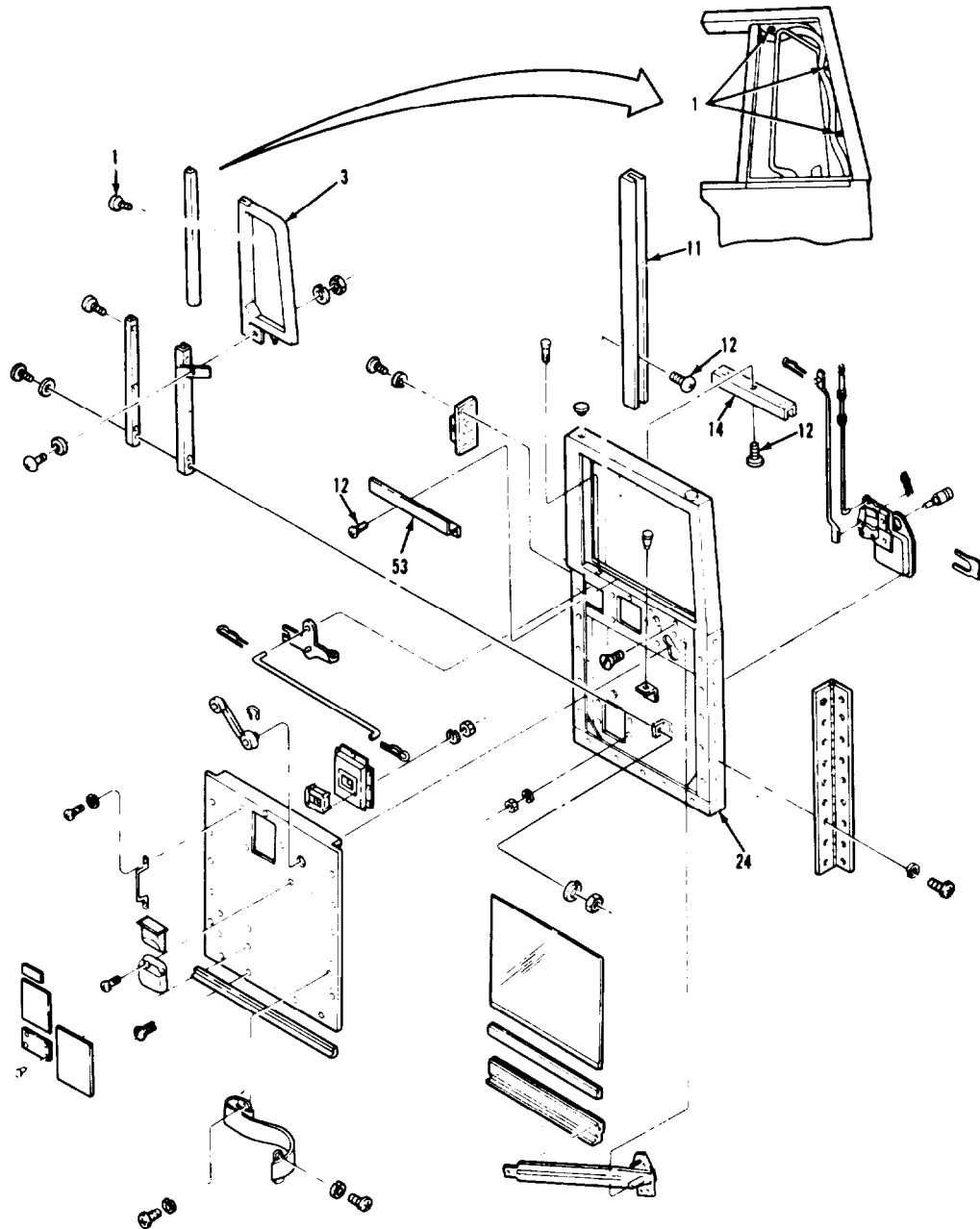
CAB AND BODY.

3-112. DOOR REPAIR (Continued).

LOCATION/ITEM	ACTION	REMARKS
D. ASSEMBLY (Continued).		
58. Vent window assembly (3).	a. Install in item (24).	Assistant helps slide item (3) into position.
	b. Secure with three items (1).	Assistant pulls and holds seal in item (3) down and out of way to ease installation of three items (1).
59. Seal in vent window assembly (3).	Push in position at three places. (See illustration).	
60. Vent window assembly (3).	Close.	
61. Strip (53).	a. Line up holes in item (53) with holes in item (24).	
	b. Secure with five items (12).	
62. Channel (11).	a. Line up holes in item (11) with holes in item (24).	
	b. Secure with five items (12) .	
63. Channel (14).	a. Line up holes in item (14) with holes in item (24).	
	b. Secure with three items (12).	

CAB AND BODY.

3-112. DOOR REPAIR (Continued).



LEGEND:

- 1. MACHINE SCREW (3)
- 3. LEFT-HAND DOOR VENT WINDOW ASSEMBLY
- 11. DOOR REAR WEATHER CHANNEL
- 12. MACHINE SCREW (16)
- 14. DOOR UPPER WEATHER CHANNEL
- 24. LEFT-HAND DOOR SHELL
- 53. DOOR PANEL WEATHER STRIP

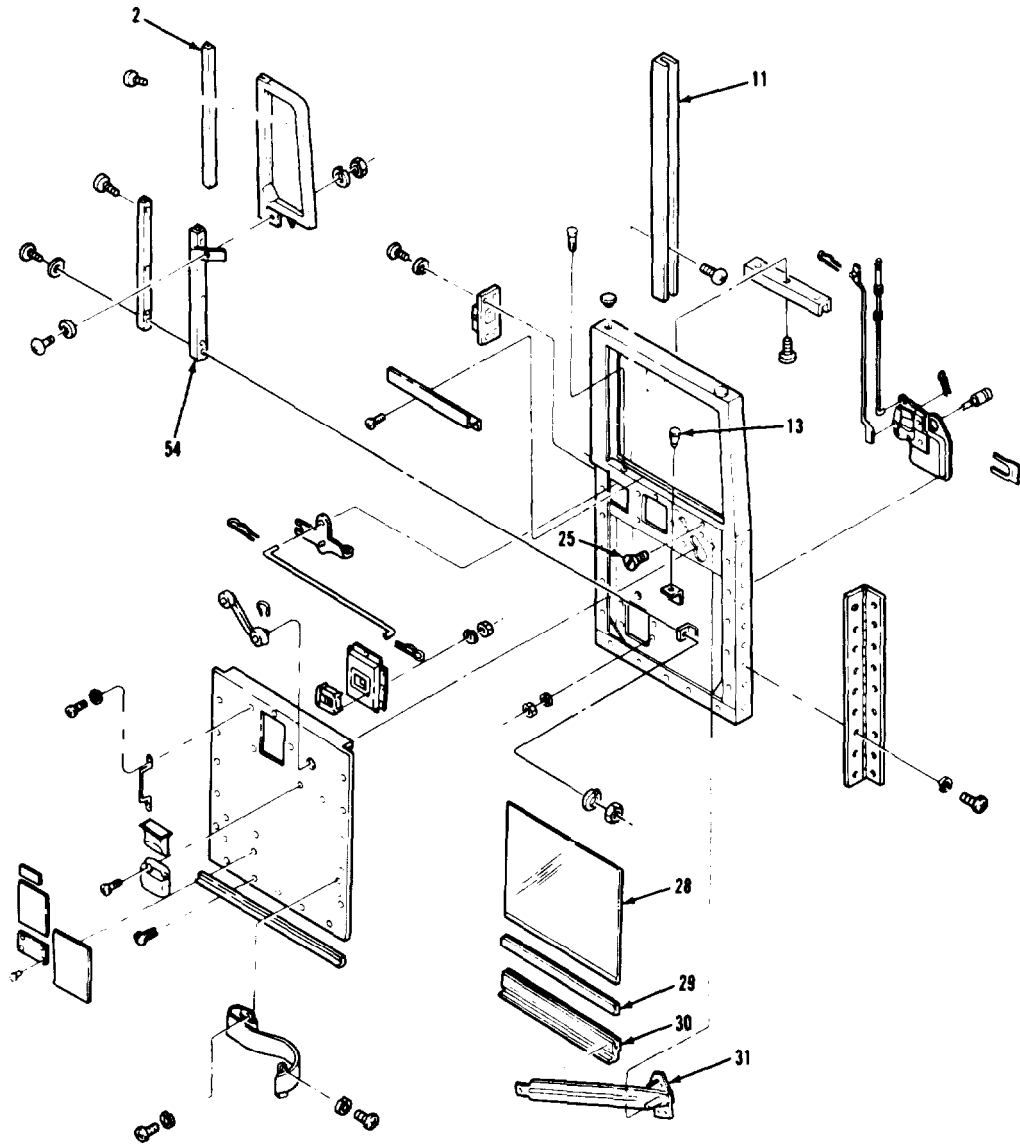
TA 238538

CAB AND BODY.

3-112. DOOR REPAIR (Continued).		
LOCATION/ITEM	ACTION	REMARKS
D. ASSEMBLY (Continued).		
64. Strip (29).	Push on item (28).	Assistant holds item (28) until item (29) is installed.
65. Door window glass channel assembly (30).	Push on item (29).	Assistant holds item (28) until item (29) is installed.
66. Glass (28), strip (29), and channel assembly (30) assembled.	Slide into item (11) and (2).	Assistant holds item (28) up into position until item (54) is installed.
67. Teeth on regulator assembly (31) and groove in channel assembly (30).	Lubricate with suitable white grease.	Assistant lowers item (28).
68. Glass (28).	Lower far enough to install item (31).	
69. Roller on regulator assembly (31).	Slide into groove in item (30).	
70. Regulator assembly (31).	a. Line up holes in item (31) with holes in item (24).	Assistant raises and lowers window to help line up holes in item (31) with holes in item (24).
	b. Secure with four items (25) .	Assistant holds item (31) until secure.

CAB AND BODY.

3-112. DOOR REPAIR (Continued).



LEGEND:

- 2. FRONT UPPER WEATHER CHANNEL
- 11. DOOR REAR WEATHER CHANNEL
- 13. WINDOW STOP BUMPER
- 25. MACHINE SCREW (4)
- 28. DOOR GLASS
- 29. GLASS SETTING STRIP
- 30. DOOR WINDOW GLASS CHANNEL ASSEMBLY
- 31. LEFT-HAND WINDOW REGULATOR ASSEMBLY
- 54. LEFT-HAND LOWER CHANNEL ASSEMBLY

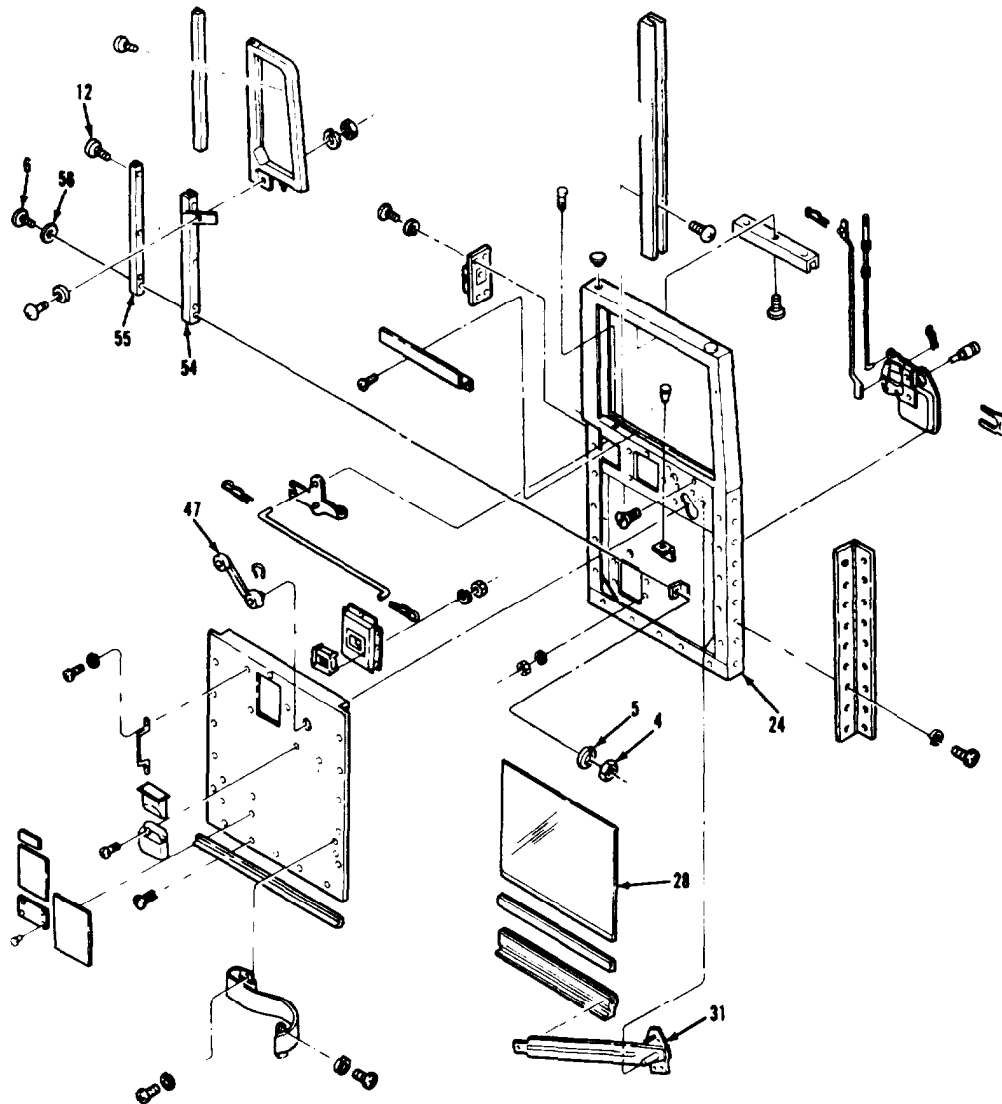
TA 238539

CAB AND BODY.

3-112. DOOR REPAIR (Continued)		
LOCATION/ITEM	ACTION.	REMARKS
D. ASSEMBLY (Continued).		
<u>CAUTION</u>		
Support door glass to prevent breakage or scratches.		
71. Handle assembly (47).	a. Place on item (31). b. Roll item (28) all the way up.	Assistant helps guide item (28) up
72. Channel (55).	a. Line up holes in item (55) with holes in item (54). b. Secure with three items (12).	
73. Channel assembly (54).	a. Line up one hole at top and one hole at bottom of item (54) with holes item (24). b. Secure finger tight with one item (4), item (5), item (56), and item (6). c. Secure with one item (4), item (5), item (56), and item (6). d. Tighten item (4) and (6) at bottom of item (54).	Fasten bottom first. Assistant helps fasten item (54) at top.
74. Handle assembly (47).	a. Roll item (28) down. b. Remove from item (31).	

CAB AND BODY.

3-112. DOOR REPAIR [Continued].



LEGEND:

- | | |
|--------------------------|---|
| 4. NUT (2) | 31. LEFT-HAND WINDOW REGULATOR ASSEMBLY |
| 5. LOCKWASHER (2). | 47. HANDLE ASSEMBLY |
| 6. MACHINE SCREW (6) | 54. LEFT-HAND LOWER CHANNEL ASSEMBLY |
| 12. MACHINE SCREW (16) | 55. LOWER FRONT WEATHER CHANNEL |
| 24. LEFT-HAND DOOR SHELL | 56. FLAT WASHER (2) |
| 28. DOOR GLASS | |

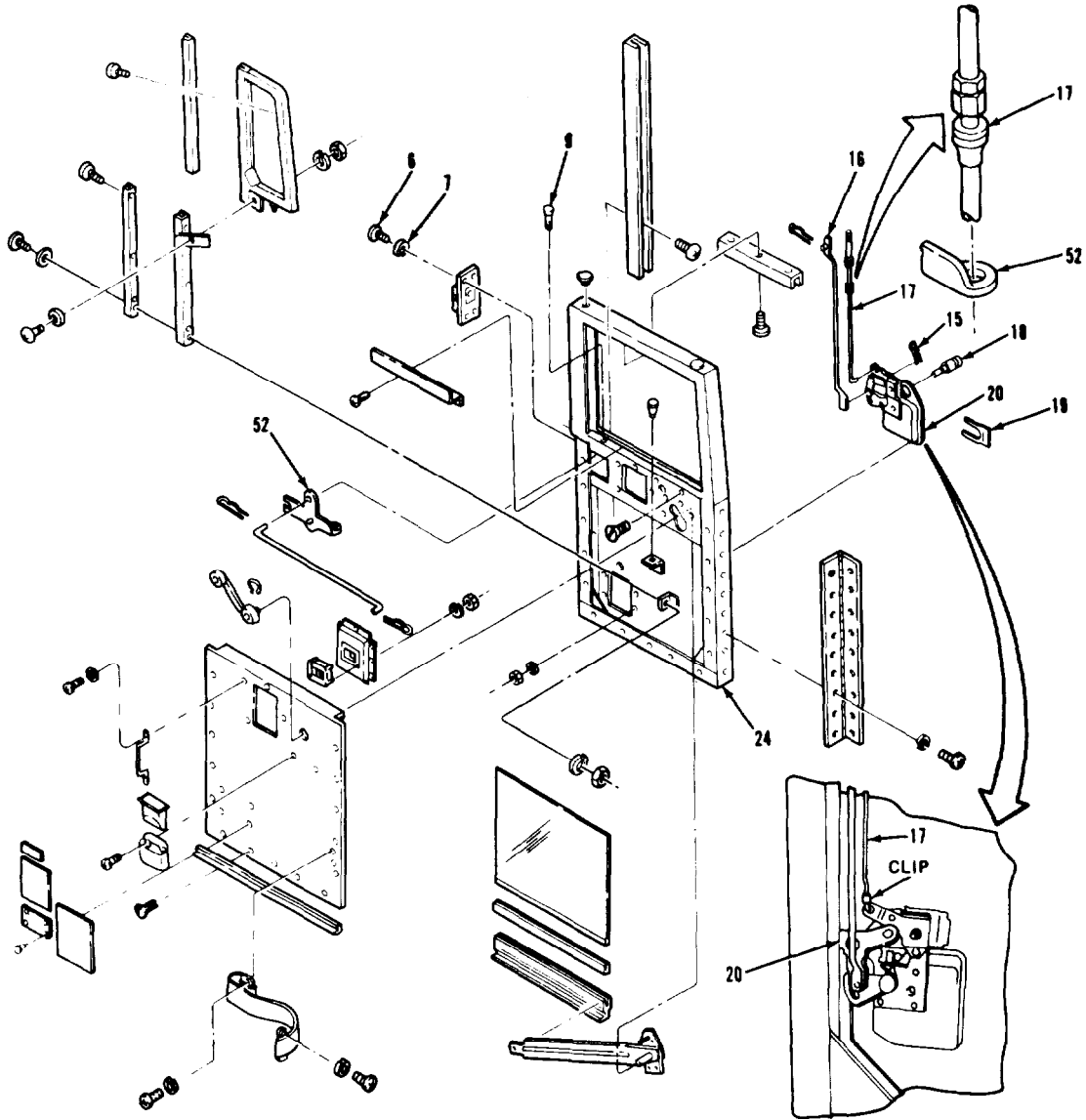
TA 238540

CAB AND BODY.

3-112. DOOR REPAIR (Continued)		
LOCATION/ITEM	ACTION	REMARKS
D. ASSEMBLY (Continued).		
75. Rod (16).	<ul style="list-style-type: none"> a. Place into position in item (20). b. Secure with one item (15). 	
76. Handle assembly (20) with attached rod (16).	<ul style="list-style-type: none"> a. Slide through opening in item (24). b. Push four studs in item through four holes in item (24). c. Secure with four items (6) and items (7). 	
77. Lock assembly (18) .	<ul style="list-style-type: none"> a. Push into hole in item (24). b. Secure with item (19). 	
78. Plate and lever assembly (52).	Install item (17). (See illustration).	
79. Plate and lever assembly (52) with attached rod (17).	Install in place inside item (24) .	Top of item (17) enters hole for item (9).
80. Rod assembly (17).	<ul style="list-style-type: none"> a. Install in item (20). b. Secure with clip on item (20). (See illustration). 	

CAB AND BODY.

3-112. DOOR REPAIR (Continued).



LEGEND:

- 6. MACHINE SCREW (6)
- 7. LOCKWASHER (8)
- 9. DOOR LOCKING KNOB
- 15. DOOR LATCH ROD CLIP (4)
- 16. OUTSIDE LATCH RELEASE DOOR ROD
- 17. INSIDE LATCH RELEASE DOOR ROD ASSEMBLY

- 18. LOCK AND KEY ASSEMBLY
- 19. LOCK ASSEMBLY RETAINER
- 20. LEFT-HAND OUTSIDE DOOR HANDLE ASSEMBLY
- 24. LEFT-HAND DOOR SHELL
- 52. LEFT-HAND PLATE AND LEVER ASSEMBLY

TA 238541

CAB AND BODY.

3-112. DOOR REPAIR (Continued).

LOCATION/ITEM	ACTION	REMARKS
D. ASSEMBLY (Continued).		
81. Latch assembly (8).	a. Install on item (24) so that end of item (52) fits over lever inside of slot in item (8). (See illustration). b. Secure with four items (6) and item (7).	
82. Rod (16).	a. Install in hole in item (52) . b. Secure with one item (15).	
83. Handle assembly (49)	a. Install in item (50). b. Secure with four items (27) and (26).	
84. Rod (51).	a. Install on item (49). b. Secure with one item (15).	
85. Handle assembly (49), bracket (50), and rod (51) assembled.	Guide item (51) through opening in item (24).	
86. Rod (51).	a. Install on item (52). b. Secure with one item (15).	

CAB AND BODY.

3-112. DOOR REPAIR (Continued).

LEGEND:

- | | |
|---|--|
| 6. MACHINE SCREW (6) | 26. LOCKWASHER (8) |
| 7. LOCKWASHER (8) | 27. NUTS (8) |
| 8. LEFT-HAND DOOR LATCH ASSEMBLY | 49. LEFT-HAND INSIDE DOOR HANDLE ASSEMBLY |
| 15. DOOR LATCH ROD CLIP (4) | 50. LEFT-HAND INSIDE DOOR HANDLE BRACKET |
| 16. OUTSIDE LATCH RELEASE DOOR ROD | 51. DOOR LATCH RELEASE ROD |
| 24. LEFT-HAND DOOR SHELL | 52. LEFT-HAND PLATE AND LEVER ASSEMBLY |

TA 238542

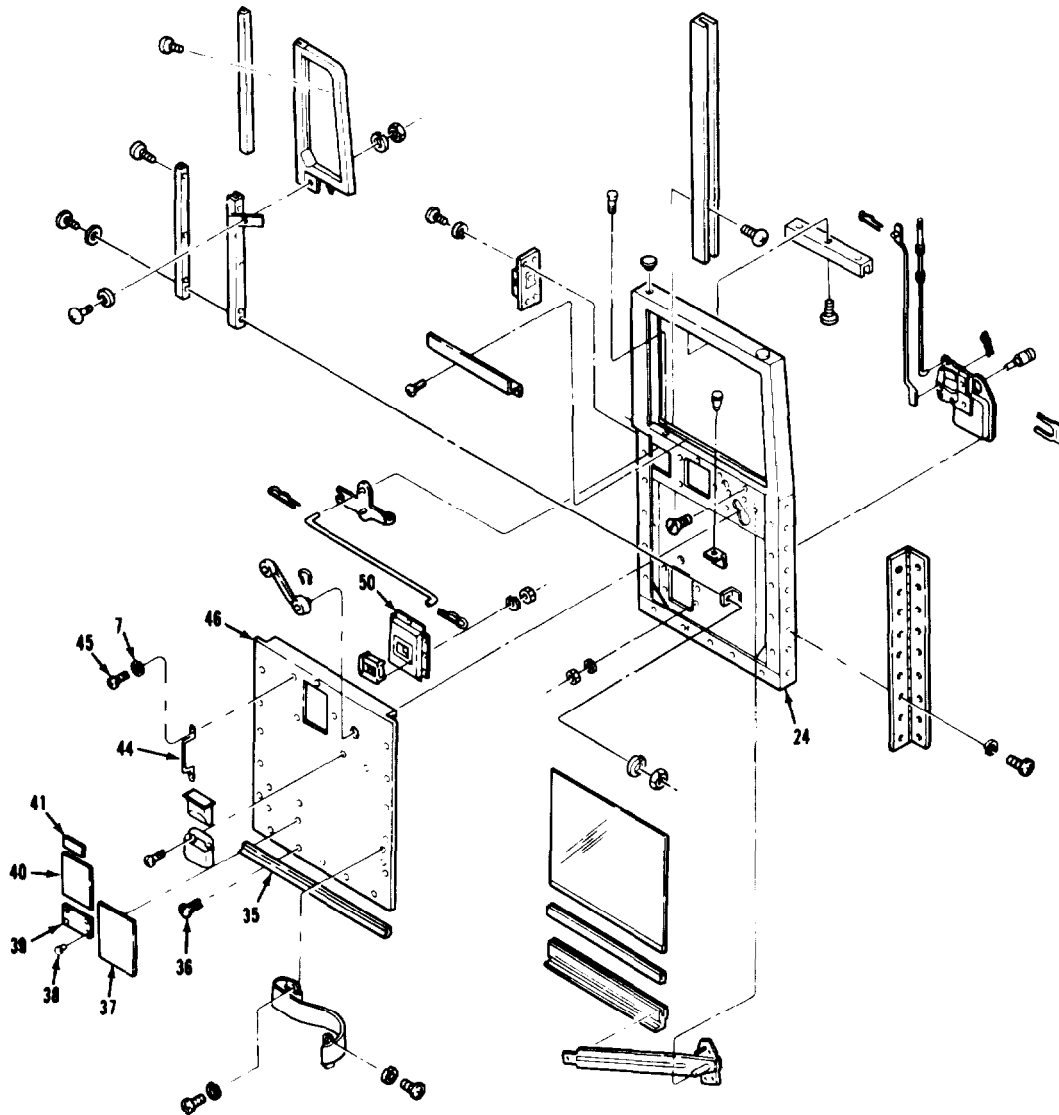
CAB AND BODY.

3-112. DOOR REPAIR (Continued)

LOCATION/ITEM	ACTION	REMARKS
D. ASSEMBLY (Continued).		
NOTE		
Do step 88 if left-hand or right-hand panel assembly was replaced.		
87. Decals (37), (39), (40), (41), and four rivets (38). Install on item (46).		Refer to TM 9-2320-283-20.
88. Seal (35).	Install on item (46).	
89. Panel assembly (46).	a. Line up holes in item (46) with holes in item (24). b. Secure with seventeen items (36).	
90. Handle (44).	a. Line up holes in item (44) with holes in item (46), (50), and (24). b. Secure with two items (45) and (7).	
91. Bracket (50).	a. Line up holes in item (50) with holes in item (24) and (46). b. Secure with two items (45) and (7).	

CAB AND BODY.

3-112. DOOR REPAIR (Continued).



LEGEND:

- | | |
|---------------------------------------|--|
| 7. LOCKWASHER (8) | 40. CERTIFICATION DECAL |
| 24. LEFT-HAND DOOR SHELL | 41. RUST PROOFING DECAL |
| 35. LOWER DOOR WEATHER SEAL | 44. DRIVER PULL HANDLE |
| 36. SELF-TAPPING SCREW (17) | 45. MACHINE SCREW (4) |
| 37. TOWING INSTRUCTION DECAL | 46. LEFT-HAND PANEL ASSEMBLY |
| 38. BLIND RIVET (4) | 50. LEFT-HAND INSIDE DOOR HANDLE BRACKET |
| 39. NOMENCLATURE IDENTIFICATION DECAL | |

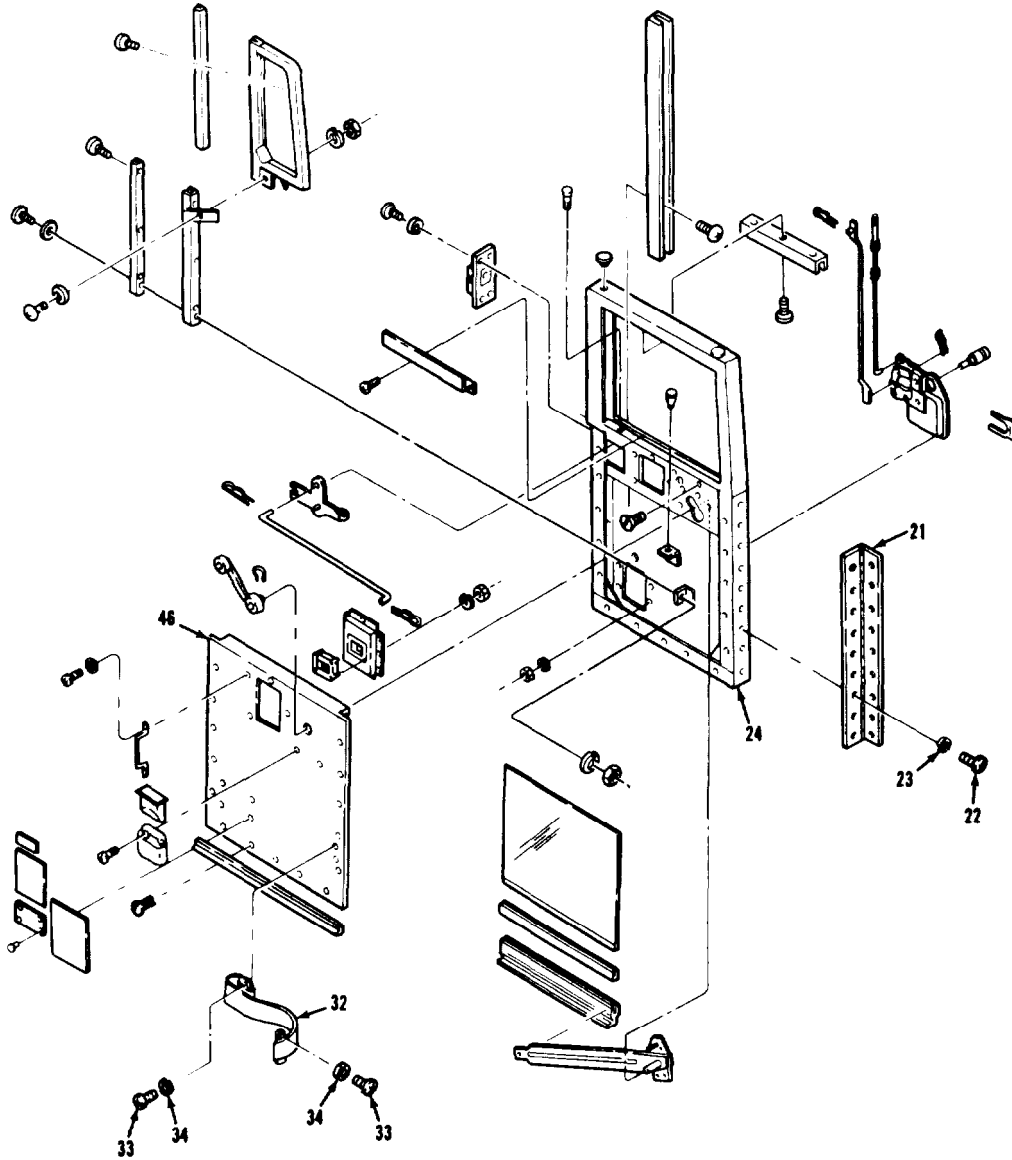
TA 238642

CAB AND BODY.

3-112. DOOR REPAIR (Continued)		
LOCATION/ITEM	ACTION	REMARKS
D. ASSEMBLY (Continued).		
NOTE		
Skip steps 93 thru 95 if hinge was not removed.		
92. Hinge assembly (21).	<ul style="list-style-type: none"> a. Line up holes in item (21) with holes in item (24). b. Secure finger tight with eight items (22) and new items (23). c. Lubricate with oil. 	Position item (21) so that items (22) are centered in holes in item (21). This will help you align item (24) when installed.
93. Eight screws (22).	Tighten.	
94. Door (24).	Install.	Refer to paragraph 3-111.
95. Strap (32).	<ul style="list-style-type: none"> a. Line up holes in item (32) with holes in cab shell. b. Secure with two items (33) and (34). c. Line up holes at other end of item (32) with holes in item (46). d. Secure with two items (33) and (34). 	

CAB AND BODY.

3-112. DOOR REPAIR (Continued).



LEGEND:

- 21. LEFT-HAND DOOR HINGE ASSEMBLY
- 22. MACHINE SCREW (8)
- 23. LOCKWASHER (8)
- 24. LEFT-HAND DOOR SHELL

- 32. DOOR CHECK STRAP
- 33. MACHINE SCREW (4)
- 34. LOCKWASHER (4)
- 46. LEFT-HAND PANEL ASSEMBLY

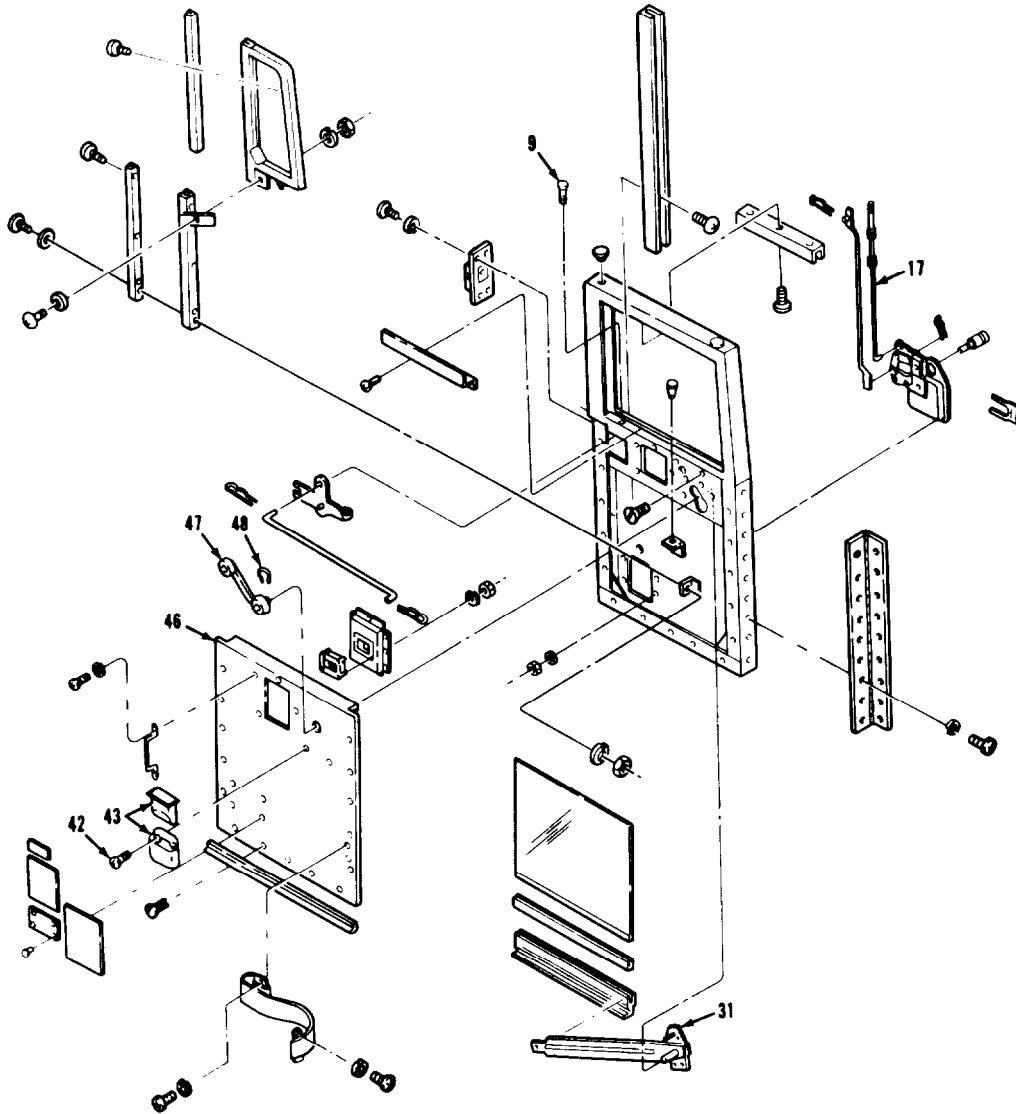
TA 238544

CAB AND BODY.

3- 112. DOOR REPAIR (Continued).		
LOCATION/ITEM	ACTION	REMARKS
D. ASSEMBLY (Continued).		
NOTE		
Skip step 97 and 98 if assembling right door.		
96. Ash receptacle (43).	a. Line up holes in item (43) with holes in item (46). b. Secure with two items (42).	
97. Ash receptacle tray.	Push inside item (43).	
98. Clip (48).	Push part way in slot in item (47).	
99. Handle assembly (47).	a. Position on item (31). b. Push item (48) completely in slot in item (47).	Item (48) locks item (47) to item (31).
100. Knob (9).	Install on item (17).	
NOTE		
Follow-on maintenance action required:		
None.		

CAB AND BODY.

3-112. DOOR REPAIR (Continued).



LEGEND:

- | | |
|---|-----------------------------------|
| 9. DOOR LOCKING KNOB | 43. LEFT-HAND DOOR ASH RECEPTACLE |
| 17. INSIDE LATCH RELEASE DOOR PAD | 46. LEFT-HAND PANEL ASSEMBLY |
| 31. LEFT-HAND WINDOW REGULATOR ASSEMBLY | 47. HANDLE ASSEMBLY |
| 42. MACHINE SCREW (2) | 48. SPRING CLIP |

TA 238545

CAB AND BODY.

3-113. DOOR STRIKER ASSEMBLY REPLACEMENT.

THIS TASK COVERS

- a. Removal.
- b. Disassembly.
- c. Cleaning and Inspection.
- d. Assembly.
- e. Installation.
- f. Adjustment.

INITIAL SETUP

<u>APPLICABLE CONFIGURATIONS</u>	<u>EQUIPMENT CONDITION</u>	<u>CONDITION DESCRIPTION</u>
All.	none.	None.

TEST EQUIPMENT
None.

SPECIAL TOOLS
None.

MATERIALS/PARTS (P/N)
Rags, wiping
Item 26, Appendix B.
Solvent, drycleaning, SD-2
Item 31, Appendix B.
Shim, door latch striker pin
(75418), 04336-2.

PERSONNEL REQUIRED
One (MOS-63W).

SPECIAL ENVIRONMENTAL CONDITIONS
None.

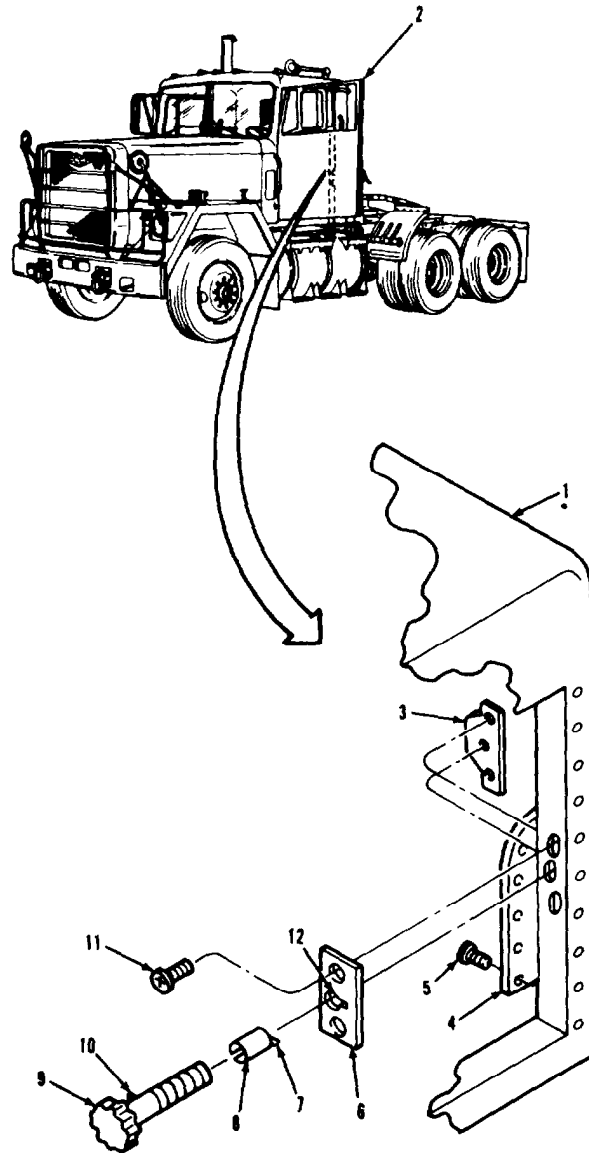
REFERENCES (TM)
TM 9-2320-283-34P.

GENERAL SAFETY INSTRUCTIONS
None.

TROUBLESHOOTING REFERENCES
None

CAB AND BODY.

3-113. DOOR STRIKER ASSEMBLY REPLACEMENT (Continued).



LEGEND:

- | | |
|--|---------------------------------|
| 1. CAB SHELL | 7. SHIM TANG |
| 2. DOOR | 8. DOOR LATCH STRIKER PIN SHIM |
| 3. DOOR LATCH STRIKER PLATE ASSEMBLY | 9. DOOR LATCH STRIKER PIN |
| 4. TRIM CAB LEFT-HAND PANEL | 10. PIN TANG |
| 5. MACHINE SCREW (4) | 11. MACHINE FLAT HEAD SCREW (2) |
| 6. DOOR LATCH STRIKER PIN PLATE ASSEMBLY | 12. KEYWAY |

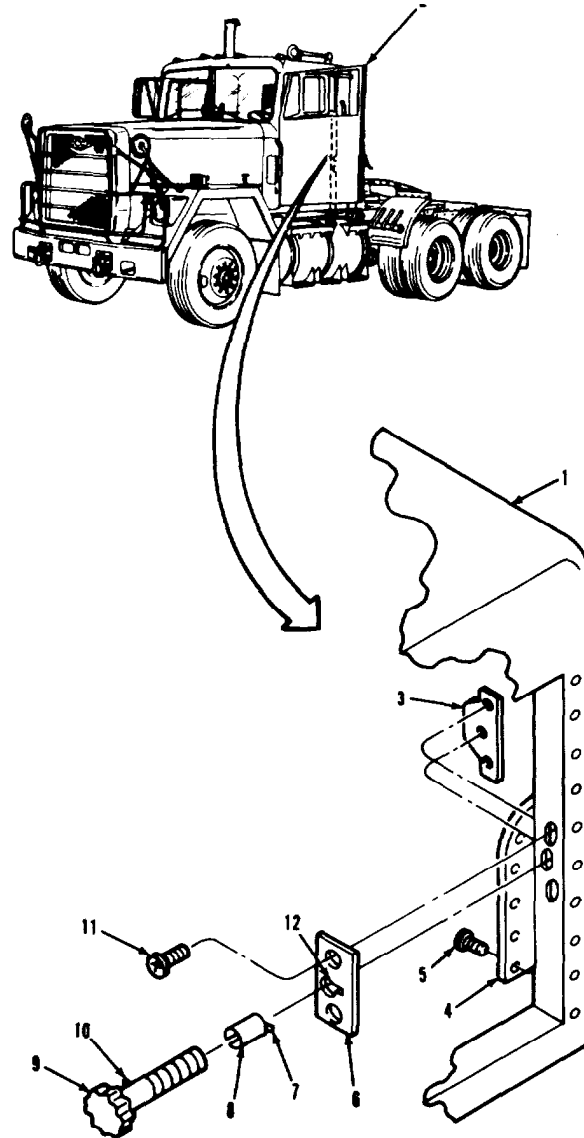
TA 238546

CAB AND BODY.

3-113. DOOR STRIKER ASSEMBLY REPLACEMENT (Continued).		
LOCATION/ITEM	ACTION	REMARKS
NOTE		
Left and right side door striker assemblies are replaced in same way. Left side shown here.		
A. REMOVAL.		
1. Four screws (5).	Remove from item (4).	Pull back to gain access to item (3).
2. Two screws (11).	Remove from item (6).	
3. Pin (9).	a. Remove from item (6) and (7).	Hold item (3) to prevent falling from place.
	b. Remove item (6) from item (1) and remove item (3) from inside of item (1).	
B. DISASSEMBLY.		
4. Shim (8).	Remove from item (9).	
C. CLEANING AND INSPECTION.		
5. All metal parts.	Clean and inspect.	Refer to paragraph 3-4 and paragraph 3-5.
D. ASSEMBLY.		
6. New shim (8).	a. Line up opening in item (8) with item (10).	
	b. Install on item (9).	Check that item (8) rotates freely on item (9).

CAB AND BODY.

3-113. DOOR STRIKER ASSEMBLY REPLACEMENT (Continued).



LEGEND:

- | | |
|--|---------------------------------|
| 1. CAB SHELL | 7. SHIM TANG |
| 3. DOOR LATCH STRIKER PLATE ASSEMBLY | 8. DOOR LATCH STRIKER PIN SHIM |
| 4. TRIM CAB LEFT-HAND PANEL | 9. DOOR LATCH STRIKER PIN |
| 5. MACHINE SCREW (4) | 10. PIN TANG |
| 6. DOOR LATCH STRIKER PIN PLATE ASSEMBLY | 11. MACHINE FLAT HEAD SCREW (2) |

TA 238547

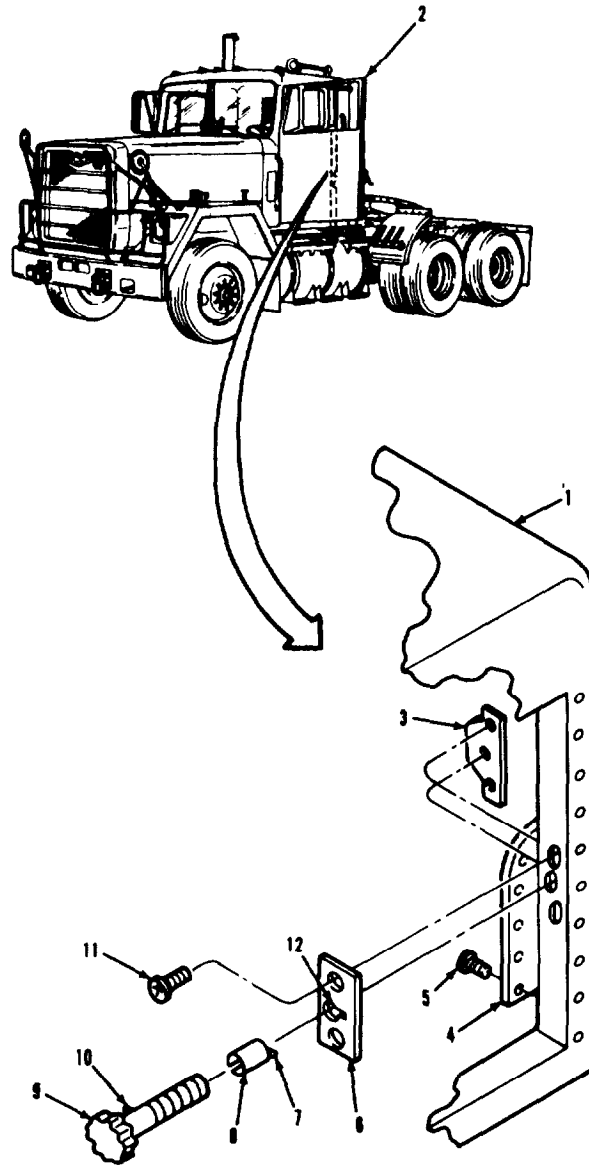
CAB AND BODY

3-113. DOOR STRIKER ASSEMBLY REPLACEMENT (Continued).

LOCATION/ITEM	ACTION	REMARKS
E. INSTALLATION.		
7. Plate assembly (3).	Place into position inside item (1).	
8. Plate assembly (6).	a. Line up holes in Item (6) with holes in item (3). b. Secure fingertight with two items (11).	
9. Pin (9).	Secure fingertight in item	Keep item (7) lined up with item (12) while item (9) is installed.
10. Pin (9) and two screws (11).	Tighten enough to barely allow item (9) with attached items (3) and (6) to move up and down.	
11. Two plates (3) and Adjust. (6) and pin (9).		Go to step 13.
NOTE		
Only do step 12 if you were referenced from another procedure, otherwise go to step 13.		
12. Two screws (11) and pin (9).	Loosen enough to barely move item (9) with attached items (3) and (6) up and down.	

CAB AND BODY.

3-113. DOOR STRIKER ASSEMBLY REPLACEMENT (Continued).



LEGEND:

- | | |
|--|---------------------------------|
| 1. CAB SHELL | 9. DOOR LATCH STRIKER PIN |
| 3. DOOR LATCH STRIKER PLATE ASSEMBLY | 11. MACHINE FLAT HEAD SCREW (2) |
| 6. DOOR LATCH STRIKER PIN PLATE ASSEMBLY | 12. KEYWAY |
| 7. SHIM TANG | |

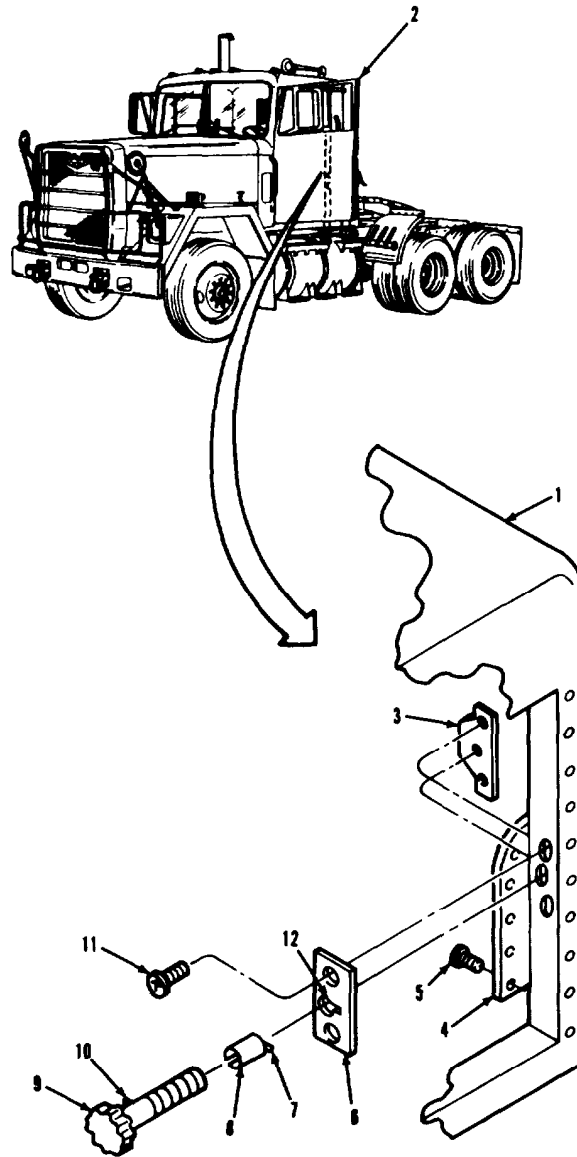
TA 238548

CAB AND BODY.

3-113. DOOR STRIKER ASSEMBLY REPLACEMENT (Continued).		
LOCATION/ITEM	ACTION	REMARKS
F. ADJUSTMENT.		
NOTE		
Closing door will move striker assembly into proper adjustment.		
13. Door (2).	<ul style="list-style-type: none"> a. Close. b. Open. c. Tighten item (9) and two items (11). 	
14. Panel (4).	<ul style="list-style-type: none"> a. Set against item (1). b. Secure with four items (5). 	
NOTE		
Follow-on maintenance action required:		
None.		

CAB AND BODY.

3-113. DOOR STRIKER ASSEMBLY REPLACEMENT (Continued).



LEGEND:

- | | |
|-----------------------------|--------------------------------|
| 1. CAB SHELL | 5. MACHINE SCREW (4) |
| 2. DOOR | 9. DOOR LATCH STRIKER PIN |
| 4. TRIM CAB LEFT-HAND PANEL | 11. MACHINE FLATHEAD SCREW (2) |

TA238549

CAB AND BODY.

3-114. WINDSHIELD REPLACEMENT.

THIS TASK COVERS

- a. Removal.
- b. Cleaning.
- c. Inspection.
- d. Installation.

INITIAL SETUP

<u>APPLICABLE CONFIGURATIONS</u>	<u>EQUIPMENT CONDITION PARAGRAPH</u>	<u>CONDITION DESCRIPTION</u>
All	TM 9-2320 283-20	Windshield wiper arm removed.

TEST EQUIPMENT

None.

SPECIAL TOOLS

Windshield installer/remover
5120-00-279-8422.

MATERIALS/PARTS (P/N)

Window sealer
Item 39, Appendix B.
Soap solution
Item 30, Appendix B.
Window cleaner
Item 38, Appendix B.
Paper towels
Item 37, Appendix B.

PERSONNEL REQUIRED

Two (MOS-63W).

REFERENCE (TM)

TM 9-2320-283-20.
TM 9-2320-283-34P.

TROUBLESHOOTING REFERENCES

None.

SPECIAL ENVIRONMENTAL CONDITIONS

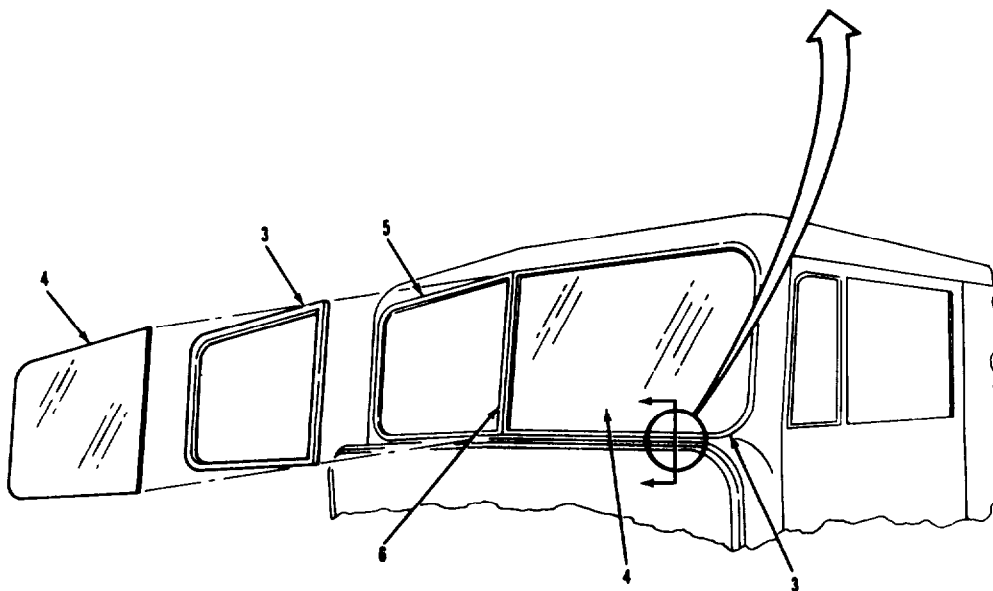
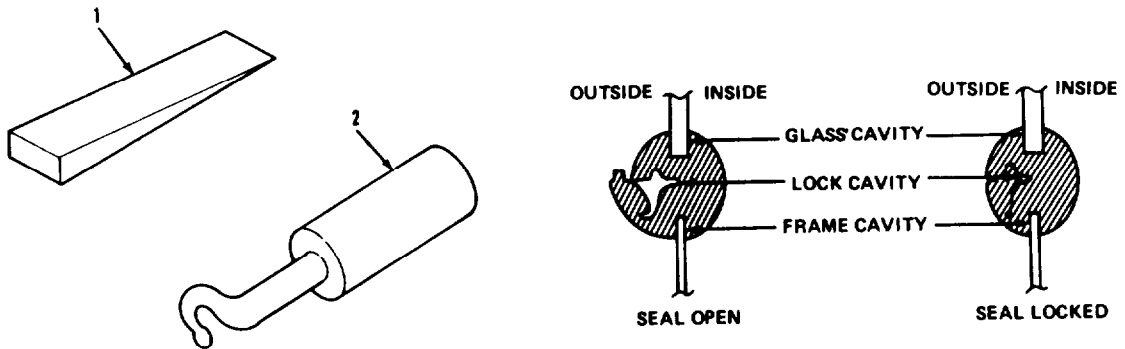
Work area clean and away from blowing dirt and dust.

GENERAL SAFETY INSTRUCTIONS

Use extreme care when handling windshield glass. Broken, chipped, or cracked glass can cause serious injury. When removing broken glass, wear protective face shield and gloves.

CAB AND BODY.

3-114. WINDSHIELD REPLACEMENT (Continued).



LEGEND:

1. FIBER STICK (FORMICA)
2. WINDSHIELD INSTALLER/REMOVER
3. WINDSHIELD WEATHER SEAL
4. WINDSHIELD GLASS (2)
5. WINDSHIELD FRAME
6. CENTER SUPPORT

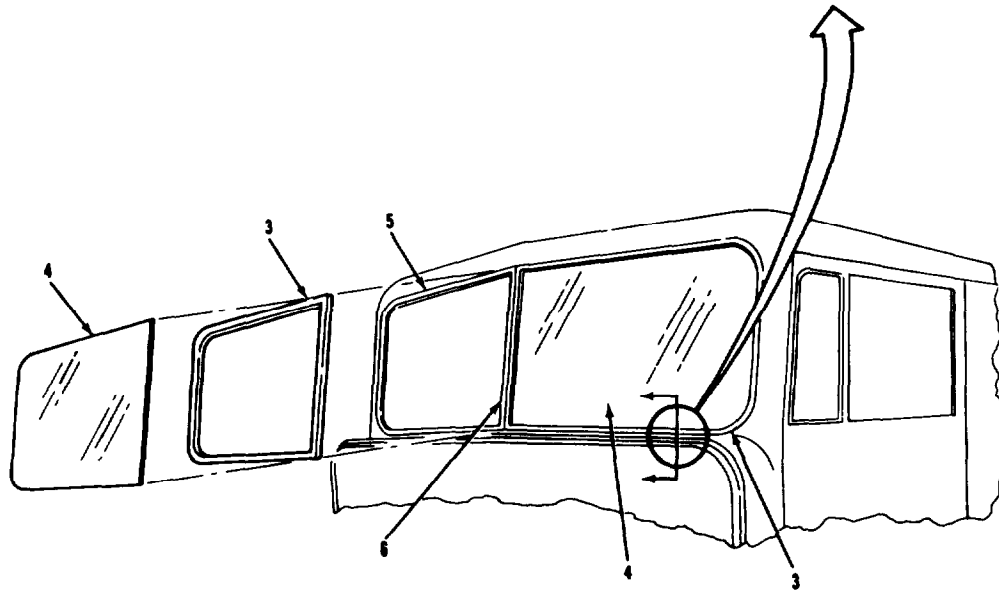
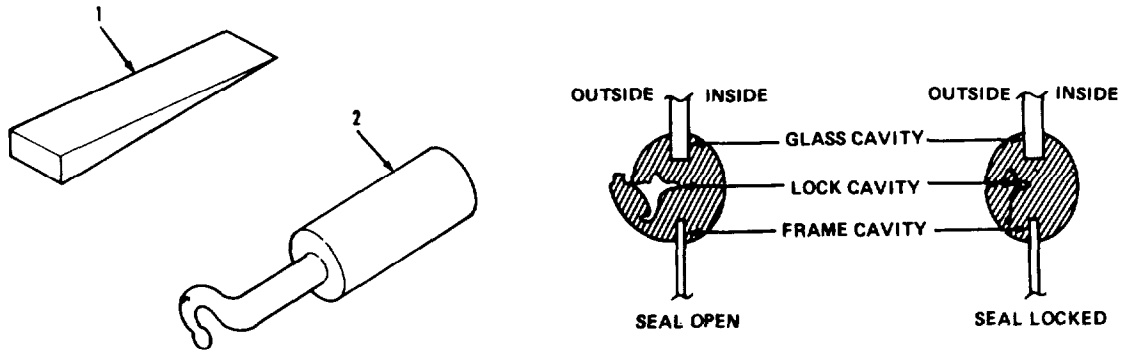
TA238550

CAB AND BODY.

3-114. WINDSHIELD REPLACEMENT (Continued).		
LOCATION/ITEM	ACTION	REMARKS
<p>A. REMOVAL.</p> <p style="text-align: center;">NOTE</p> <ul style="list-style-type: none"> • If fiber stick (item 1) is not available, make it out of formica using illustration. The approximate dimensions are: 1" decreasing to 1/64" high; 1/2" wide; and 10" long. • The same procedure is used to remove either the left or right windshield glass. <p>1. Seal (3).</p> <p style="padding-left: 40px;">a. Remove paint from outside. Rub off with item (1).</p> <p style="padding-left: 40px;">b. Insert tip of item (2) into lock cavity.</p> <p style="padding-left: 40px;">c. Gently twist item (2) and pull item (2) around complete length of item (3). If done correctly, item (3) should be open.</p> <p style="text-align: center;"><u>CAUTION</u></p> <ul style="list-style-type: none"> • Do not bend windshield glass. • Do not use metal objects between windshield glass and windshield weather seal as glass may crack. <p style="text-align: center;">NOTE</p> <p>For the next step, one mechanic should work outside removing the glass, while a second mechanic applies pressure to the glass from inside the vehicle.</p>		

CAB AND BODY.

3-114. WINDSHIELD REPLACEMENT (Continued).



LEGEND:

1. FIBER STICK (FORMICA)
2. WINDSHIELD INSTALLER/REMOVER
3. WINDSHIELD WEATHER SEAL
4. WINDSHIELD GLASS (2)
5. WINDSHIELD FRAME
6. CENTER SUPPORT

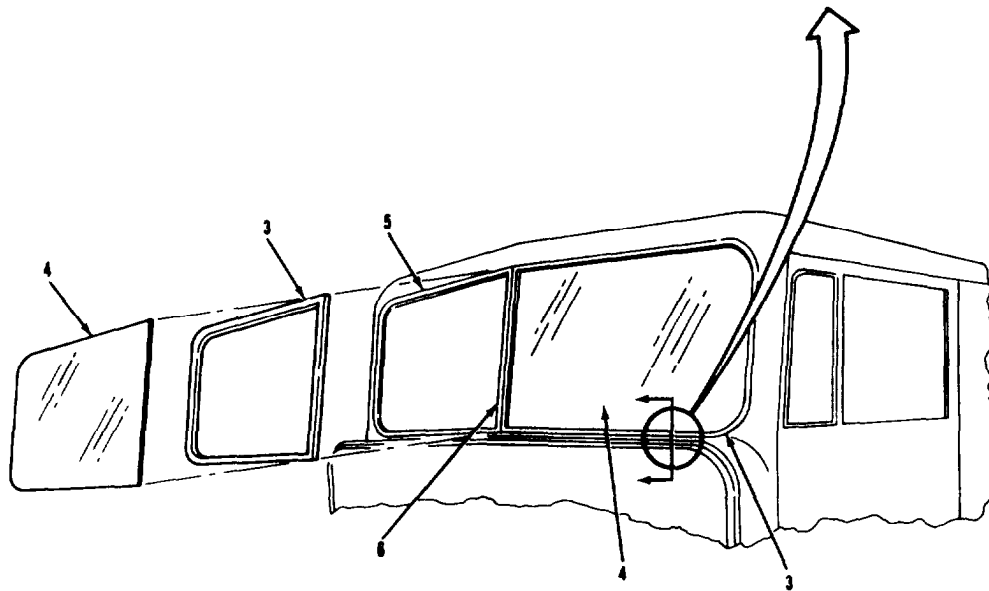
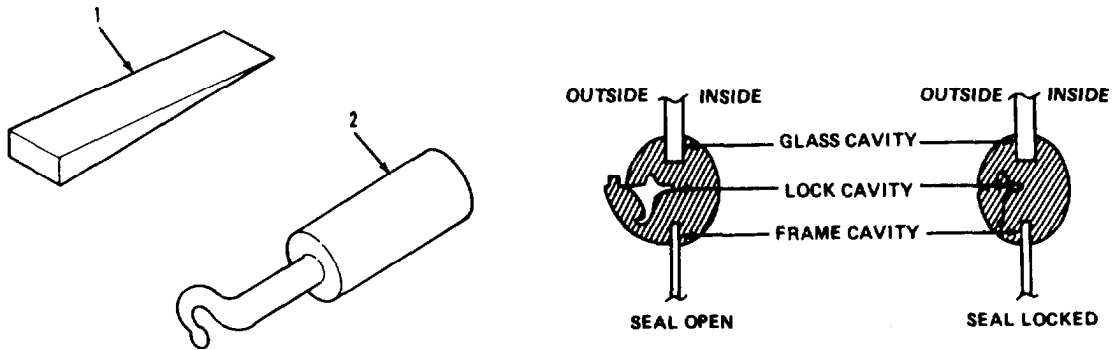
TA 238551

CAB AND BODY.

3-114. WINDSHIELD REPLACEMENT (Continued).		
LOCATION/ITEM	ACTION	REMARKS
A. REMOVAL (Continued).		
2. Glass (4) and seal (3).	Starting at the top of items (4) and (6), work item (4) out of item (3) as follows: a. Work across the top and down either side. b. Work from the top to the bottom of item (6). c. Remove items (4) and (3).	Use soap solution and item (1) to slide item (3) over edge of item (4).
B. CLEANING.		
3. All metal parts.	Clean.	Refer to paragraph 3-4.
4. Glass (4) and seal (3).	Clean.	Use item (1) and soap solution to remove old sealer. Use window cleaner and paper towels to remove dirt and dust.
C. INSPECTION.		
5. All metal parts.	Inspect.	Refer to paragraph 3-5.
6. Glass (4).	Inspect for cracks, chips, stained, or damaged surfaces.	Discard if chipped, cracked, stained, or damaged.
7. Seal (3).	Inspect for cuts, tears, and signs of damage.	Discard if cut, torn, or damaged.
D. INSTALLATION.		
8. Seal (3).	a. Apply window sealer to frame cavity. b. Install item (3) on items (5) and (6).	

CAB AND BODY.

3-114. WINDSHIELD REPLACEMENT (Continued).



LEGEND:

1. FIBER STICK (FORMICA)
2. WINDSHIELD INSTALLER/REMOVER
3. WINDSHIELD WEATHER SEAL
4. WINDSHIELD GLASS (2)
5. WINDSHIELD FRAME
6. CENTER SUPPORT

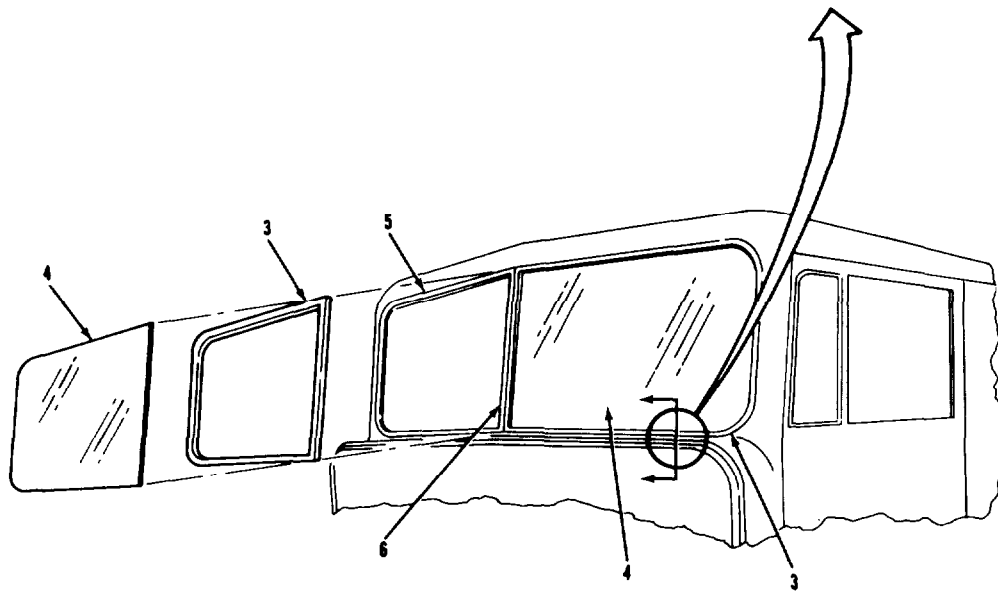
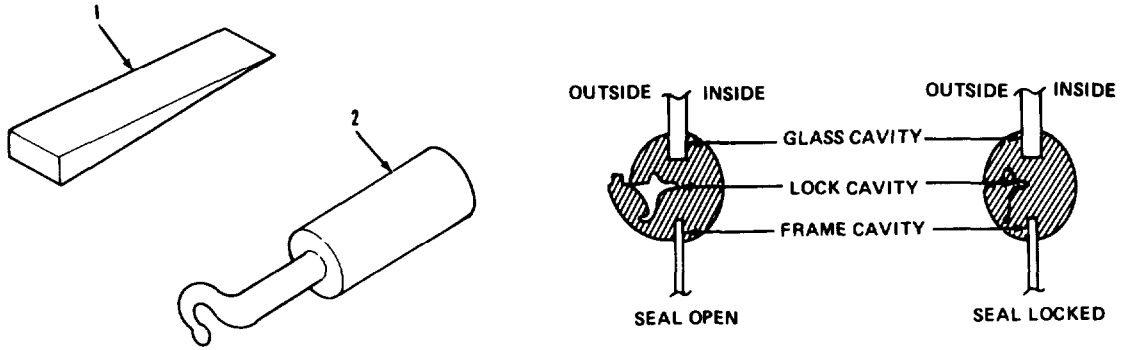
TA238552

CAB AND BODY.

3-114. WINDSHIELD REPLACEMENT (Continued).		
LOCATION/ITEM	ACTION	REMARKS
D. INSTALLATION (Continued).		
8. Seal (3) (continued).	<p style="text-align: center;">NOTE</p> <p>If windshield seal is locked repeat steps 1b and 1c.</p> <p style="padding-left: 40px;">c. Apply window sealer to glass cavity.</p> <p style="text-align: center;"><u>CAUTION</u></p> <p>Do not bend windshield glass.</p> <p>Do not use metal objects between windshield glass and windshield weather seal as glass may break.</p> <p style="text-align: center;">NOTE</p> <p>For the next step, one mechanic should work outside while a second mechanic steadies the glass from inside.</p>	
9. Glass (4).	<p>a. Insert into the bottom glass cavity of item (3).</p> <p>b. Slide up against item (6).</p> <p style="text-align: center;">NOTE</p> <p>Install the top corner, next to the center support, last.</p> <p>c. Work into item (3) half-way up the side of item (6).</p>	<p>From outside.</p> <p>Use soap solution and item (1) to aid in installation.</p>

CAB AND BODY.

3-114. WINDSHIELD REPLACEMENT (Continued).



LEGEND:

- 1. FIBER STICK (FORMICA)
- 2. WINDSHIELD INSTALLER/REMOVER
- 3. WINDSHIELD WEATHER SEAL
- 4. WINDSHIELD GLASS (2)
- 5. WINDSHIELD FRAME
- 6. CENTER SUPPORT

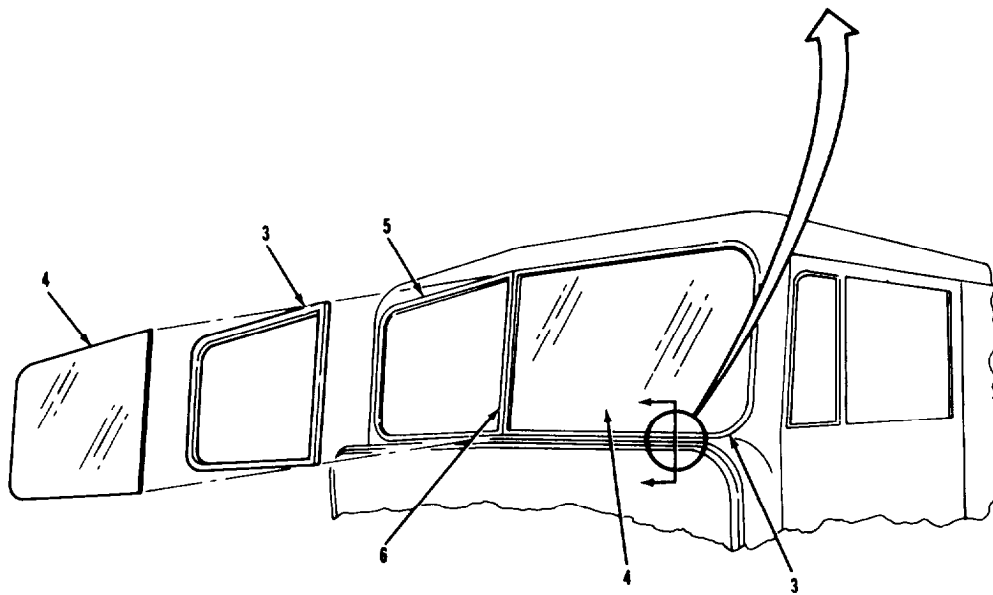
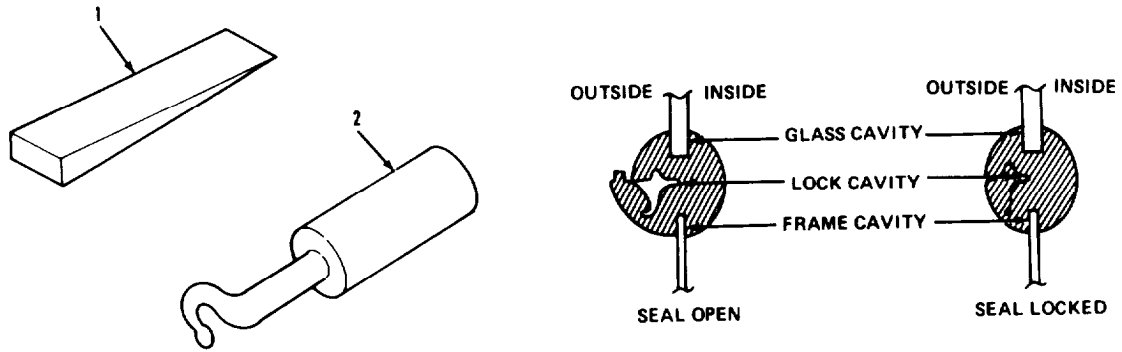
TA22866

CAB AND BODY.

3-114. WINDSHIELD REPLACEMENT (Continued).		
LOCATION/ITEM	ACTION	REMARKS
D. INSTALLATION (Continued).		
9. Glass (4) (continued).	d. Work into item (3) across the bottom, up either side, and halfway across the top.	Use soap solution and item (1) to aid in installation. During installation press item (4) against item (6), but do not bend item (4).
	e. Carefully work remaining portions and the corner into item (3) using soap solution and item (1).	
10. Seal (3).	a. Insert tip of item (2) into lock cavity. b. Twist and pull around the total length.	If done correctly, seal should be locked.
11. Glass (4).	Clean.	Use window cleaner and paper towels to wipe off dirt. Use item (1) to scrape off excess sealer.
NOTE		
Follow-on maintenance action required:		
Install windshield wiper arm (TM 9-2320-283-20).		

CAB AND BODY.

3-114. WINDSHIELD REPLACEMENT (Continued).



LEGEND:

1. FIBER STICK (FORMICA)
2. WINDSHIELD INSTALLER/REMOVER
3. WINDSHIELD WEATHER SEAL
4. WINDSHIELD GLASS (2)
5. WINDSHIELD FRAME
6. CENTER SUPPORT

TA 238554

CAB AND BODY.

3-115. REAR WINDOW REPLACEMENT.

THIS TASK COVERS

- a. Removal.
- b. Cleaning.
- c. Inspection.
- d. Installation.

INITIAL SETUP

APPLICABLE CONFIGURATIONS	EQUIPMENT CONDITION <u>PARAGRAPH</u>	<u>CONDITION DESCRIPTION</u>
	None.	H o n e .

TEST EQUIPMENT

None.

SPECIAL TOOLS

Windshield installer/remover
5120-00-279-8422.

MATERIALS/PARTS (P/N)

Soap solution
Item 30, Appendix B.
Window sealer
Item 39, Appendix B.
Paper towels
Item 37, Appendix B.
Window cleaner
Item 38, Appendix B.

PERSONNEL REQUIRED

One (MOS-63W).

SPECIAL ENVIRONMENTAL CONDITIONS

Work area clean and away from blowing dirt and dust.

REFERENCE (TM)

TM 9-2320-283-34p.

GENERAL SAFETY INSTRUCTIONS

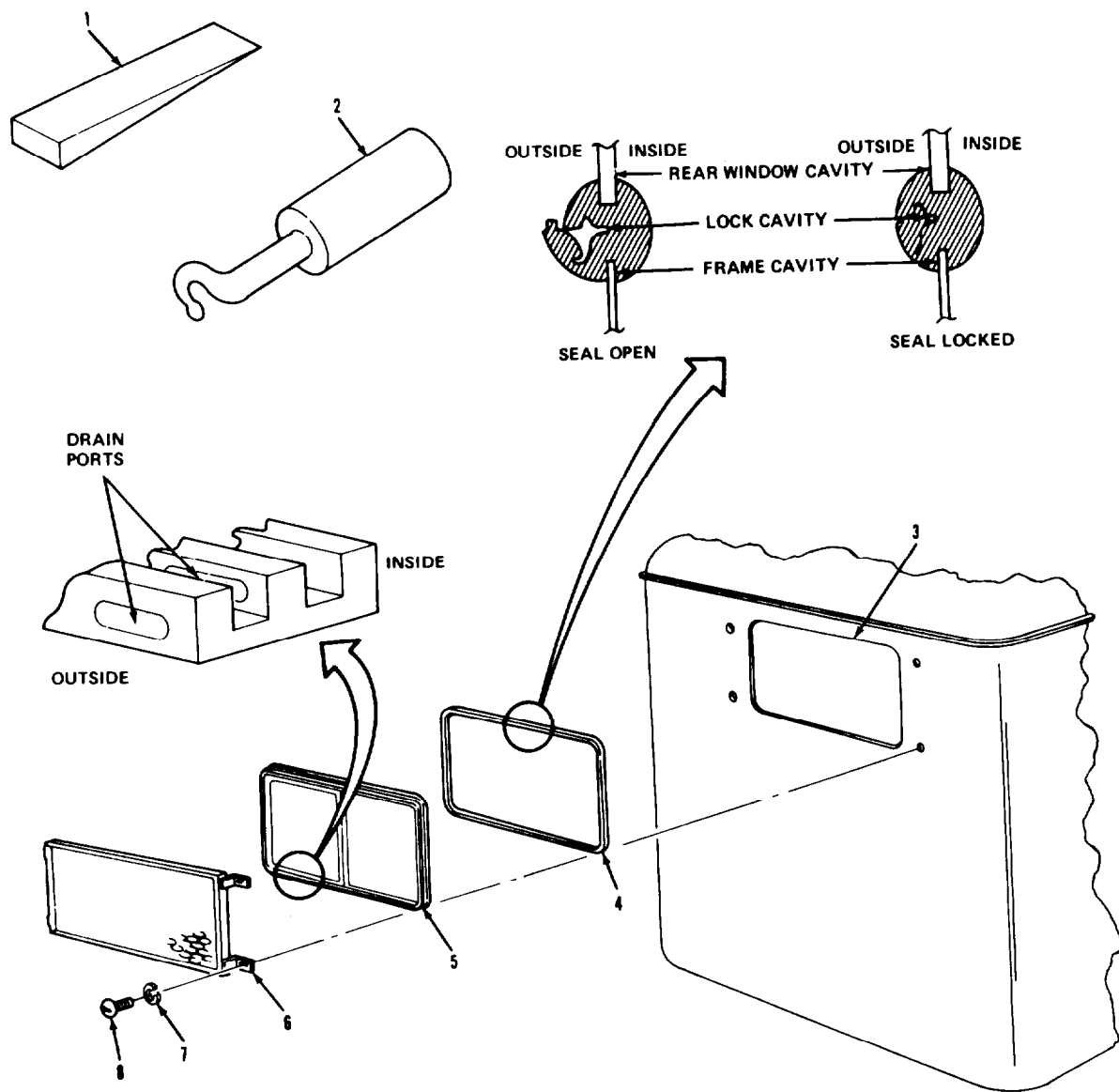
Use extreme care when handling glass. Broken, chipped, or cracked glass can cause serious injury. When removing broken glass, wear protective face shield and gloves.

TROUBLESHOOTING REFERENCES

None.

CAB AND BODY.

3-115. REAR WINDOW REPLACEMENT (Continued).



LEGEND:

- 1. FIBER STICK (FORMICA)
- 2. WINDSHIELD INSTALLER/REMOVER
- 3. WINDOW FRAME
- 4. WINDSHIELD WEATHER SEAL
- 5. REAR WINDOW ASSEMBLY
- 6. REAR WINDOW SHIELD ASSEMBLY
- 7. LOCKWASHER (4)
- 8. MACHINE SCREW (4)

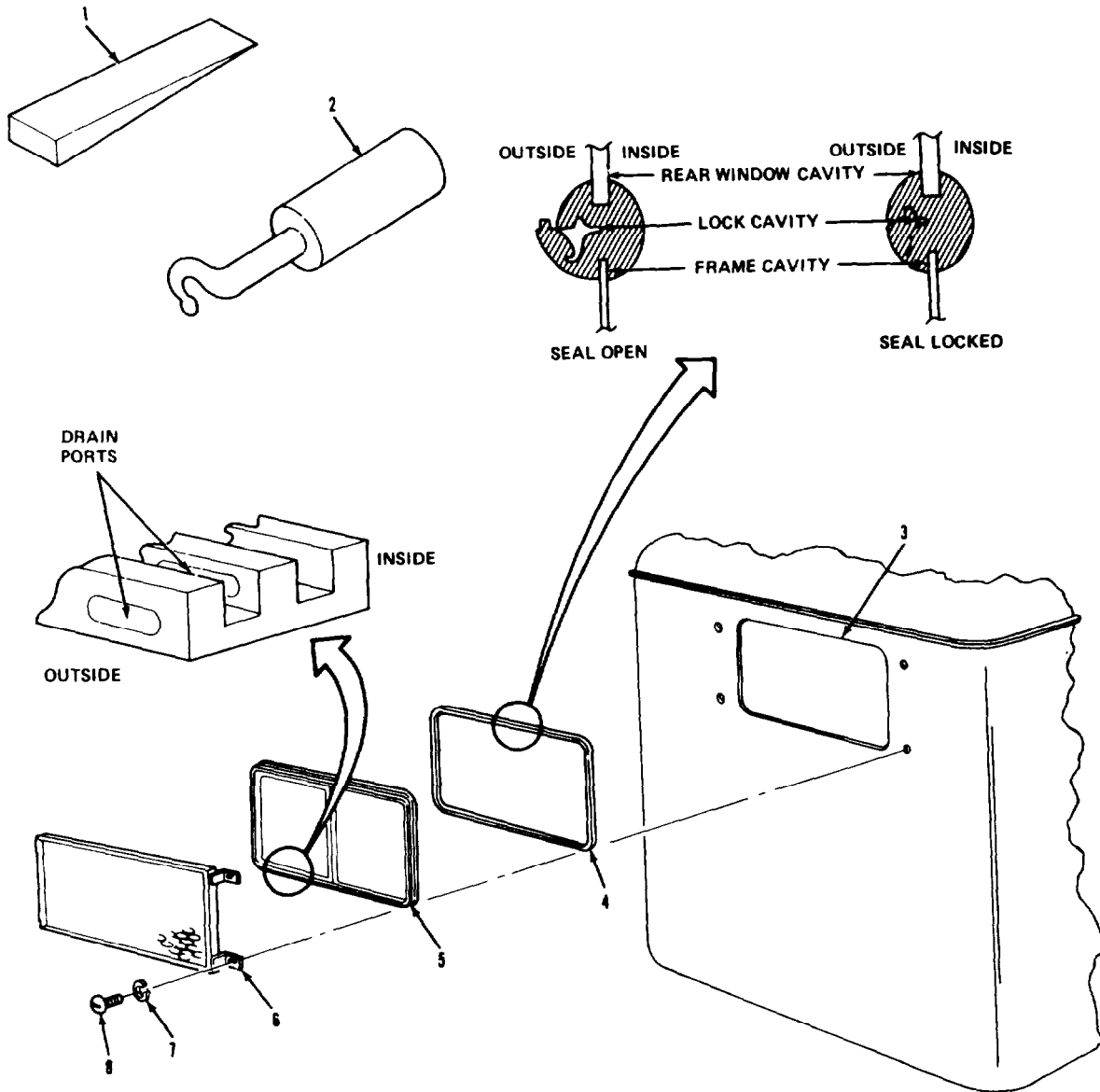
TA 238555

CAB AND BODY,

3-115. REAR WINDOW REPLACEMENT (Continued)		
LOCATION/ITEM	ACTION	REMARKS
A. REMOVAL.		
NOTE		
If fiber stick, item (1), is not available, make it out of formica using illustration. The approximate dimensions are: 1" decreasing to 1/64" high; 1/2" wide; and 10" long.		
1. Rear window shield assembly (6), four screws (8), and lockwashers (7).	Remove from item (3).	
2. Seal (4).	a. Remove paint.	Rub off with item (1).
	b. Insert tip of item (2) into lock cavity.	
	c. Gently twist item (2) and pull around complete length.	If done correctly, item (4) should be open.
3. Rear window assembly (5).	a. While pulling outward, work out of item (4) around the top, sides and bottom.	Use item (1) and soap solution to work item (4) over the edge of item (5).
	b. Remove item (5).	
4. Seal (4).	Remove.	

CAB AND BODY.

3-115. REAR WINDOW REPLACEMENT (Continued).



LEGEND:

1. FIBER STICK (FORMICA)
2. WINDSHIELD INSTALLER/REMOVER
3. WINDOW FRAME
4. WINDSHIELD WEATHER SEAL
5. REAR WINDOW ASSEMBLY
6. REAR WINDOW SHIELD ASSEMBLY
7. LOCKWASHER (4)
8. MACHINE SCREW (4)

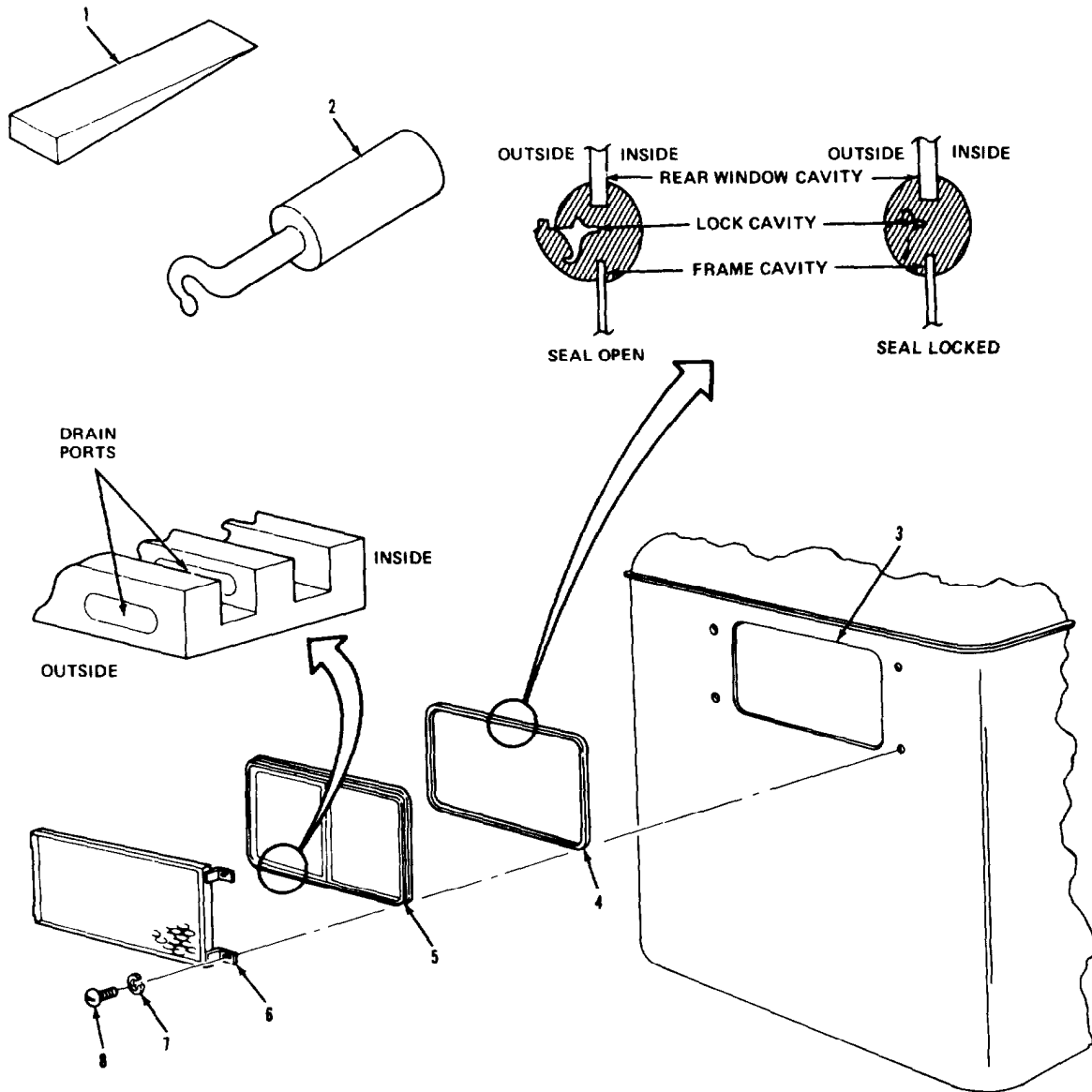
TA 238556

CAB AND BODY.

3-115. REAR WINDOW REPLACEMENT (Continued).		
LOCATION/ITEM	ACTION	REMARKS
B. CLEANING.		
5. Seal (4).	Clean off old window sealer, paint, and dirt.	Use item (1), soap solution, and paper towels.
6. Rear window assembly (5).	Clean glass.	Use window cleaner and paper towels.
7. All metal parts.	Clean.	Refer to paragraph 3-4.
C. INSPECTION.		
8. Seal (4).	Inspect for cuts, tears, or other damage.	Discard if cut, torn, or damaged.
9. Rear window assembly (5) and shield assembly (6).	Inspect.	Refer to paragraph 3-5.
D. INSTALLATION.		
10. Seal (4).	<ul style="list-style-type: none"> a. Apply window sealer to frame cavity. b. Install on item (3). c. Apply window sealer to rear window cavity. 	Be sure opening of lock cavity is positioned outside truck cab.

CAB AND BODY.

3-115. REAR WINDOW REPLACEMENT (Continued).



LEGEND:

1. FIBER STICK (FORMICA)
2. WINDSHIELD INSTALLER/REMOVER
3. WINDOW FRAME
4. WINDSHIELD WEATHER SEAL
5. REAR WINDOW ASSEMBLY
6. REAR WINDOW SHIELD ASSEMBLY
7. LOCKWASHER (4)
8. MACHINE SCREW (4)

TA238557

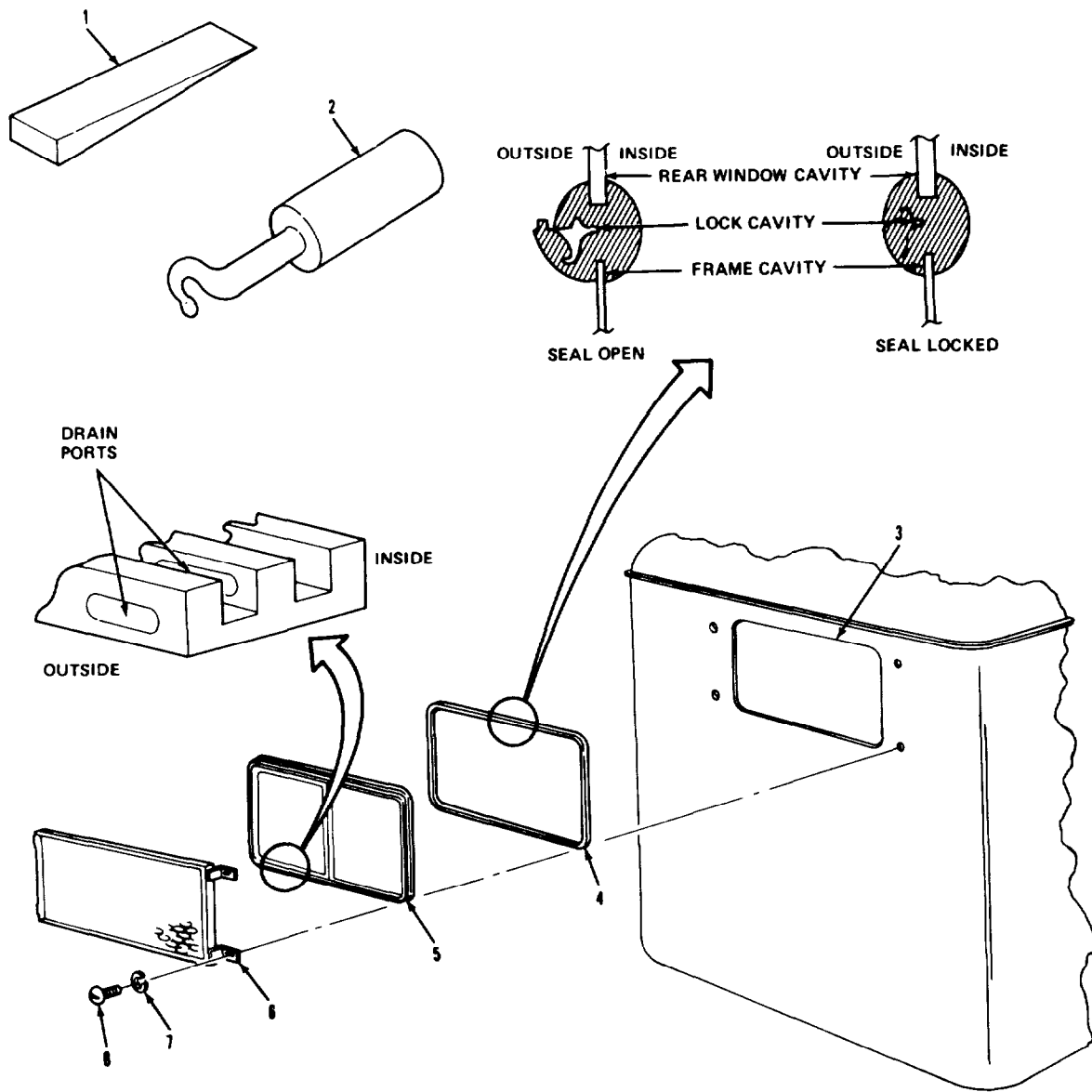
CAB AND BODY.

3-115. REAR WINDOW REPLACEMENT (Continued).

LOCATION/ITEM	ACTION	REMARKS
D. INSTALLATION (Continued).		
11. Rear window assembly (5).	<ul style="list-style-type: none"> a. Position bottom edge in the bottom rear window cavity of item (4). b. Work the bottom, sides, and top into item (4). c. Clean off excess window sealer and dirt. 	<p>Ensure drain ports are facing the outside of truck.</p> <p>Use item (1) and soap solution to work item (4) over the edge of item (5).</p> <p>Use item (1), window cleaner, and paper towels.</p>
12. Seal (4).	<ul style="list-style-type: none"> a. Insert tip of item (2) into lock cavity. b. Gently twist and pull item (2) around complete length. 	<p>If done correctly, item (4) should be locked.</p>
13. Rear window shield assembly (6).	<ul style="list-style-type: none"> a. Place in position on item (3). b. Fasten to item (3) using four items (8) and (7). 	
NOTE		
Follow-on maintenance action required:		
None.		

CAB AND BODY.

3-115. REAR WINDOW REPLACEMENT (Continued).



LEGEND:

1. FIBER STICK (FORMICA)
2. WINDSHIELD INSTALLER/REMOVER
3. WINDOW FRAME
4. WINDSHIELD WEATHER SEAL
5. REAR WINDOW ASSEMBLY
6. REAR WINDOW SHIELD ASSEMBLY
7. LOCKWASHER (4)
8. MACHINE SCREW (4)

TA238558

CAB AND BODY.

3-116. REAR WINDOW REPAIR.

THIS TASK COVERS

- a. Disassembly.
- b. Cleaning.
- c. Inspection.
- d. Assembly.

INITIAL SETUP

APPLICABLE CONFIGURATIONS

All.

EQUIPMENT CONDITION
PARAGRAPH

3-115.

CONDITION DESCRIPTION

Rear window removed.

TEST EQUIPMENT

None.

SPECIAL TOOLS

None.

MATERIALS/PARTS (P/N)

Soap solution
Item 30, Appendix B.
Paper towels
Item 37, Appendix B.
Window cleaner
Item 38, Appendix B.

PERSONNEL REQUIRED

One (MOS-63W).

SPECIAL ENVIRONMENTAL CONDITIONS

Work area clean and away from blowing dirt and dust.

REFERENCE (TM)

None.

GENERAL SAFETY INSTRUCTIONS

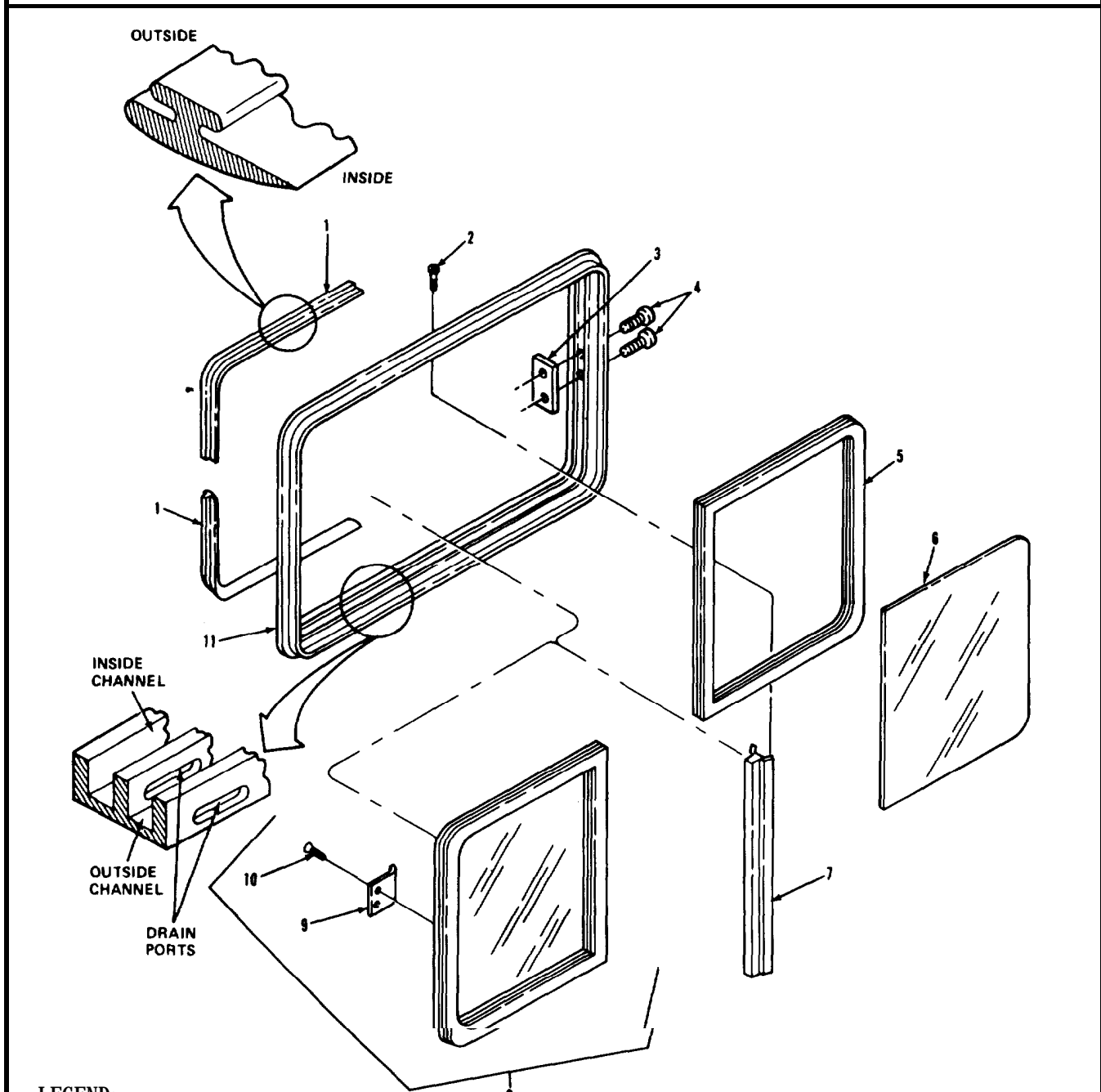
Use extreme care when handling broken glass. Broken, chipped, or cracked glass can cause serious injury. When removing broken glass, wear protective face shield and gloves.

TROUBLESHOOTING REFERENCES

None.

CAB AND BODY.

3-116. REAR WINDOW REPAIR (Continued).



LEGEND:

- | | |
|---------------------------------|------------------------|
| 1. OUTER FRAME FILLER STRIP (2) | 7. GLASS RETAINER |
| 2. SCREW (2) | 8. SLIDE SASH ASSEMBLY |
| 3. COUPLER PLATE | 9. LATCH ASSEMBLY |
| 4. SCREW (2) | 10. LATCH SCREW (2) |
| 5. GLAZING STRIP | 11. FRAME |
| 6. STATIONARY GLASS | |

TA 238559

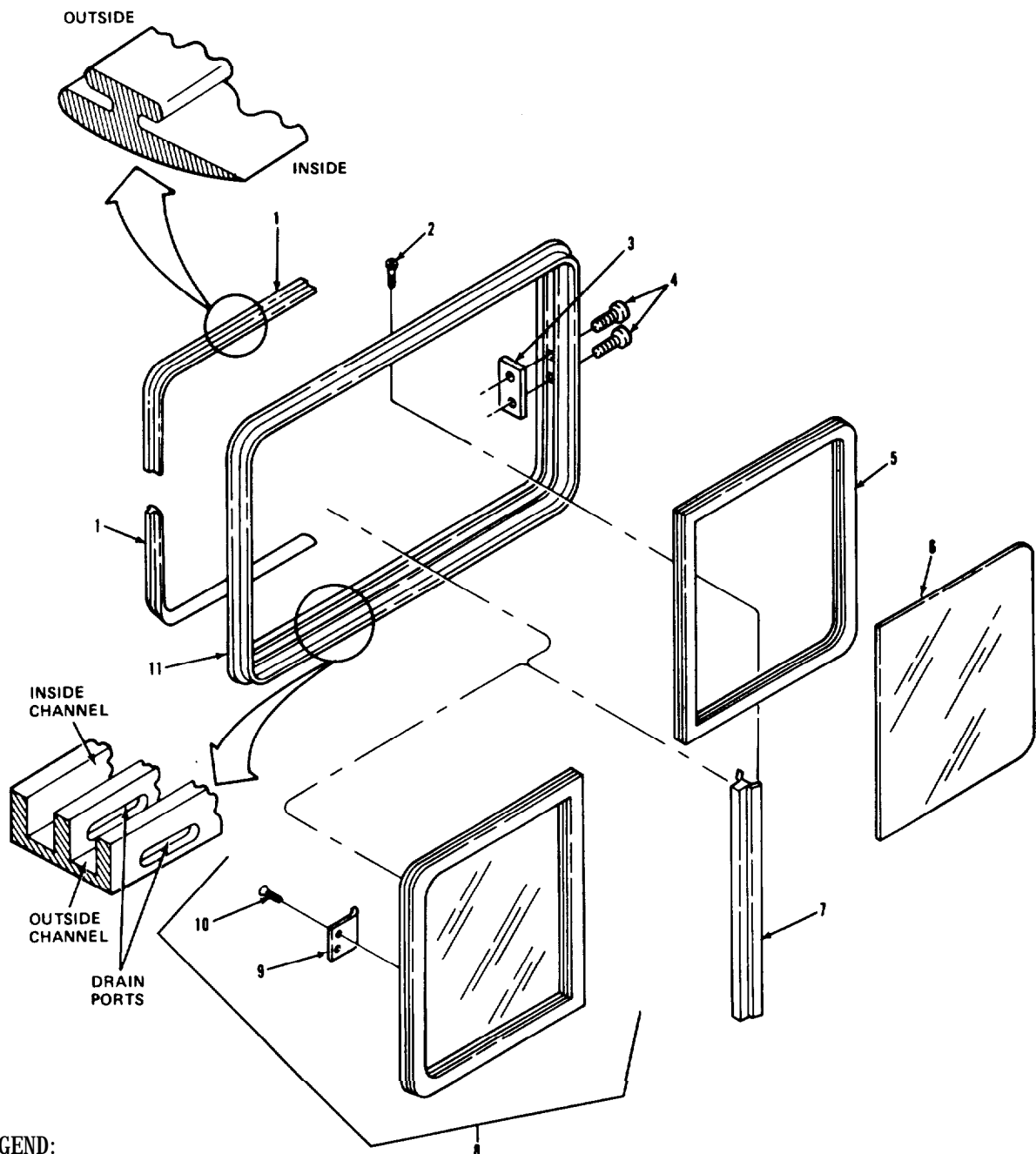
CAB AND BODY.

3-116. REAR WINDOW REPAIR (Continued).

LOCATION/ITEM	ACTION	REMARKS
A. DISASSEMBLY.		
1. Two strips (1).	Remove.	
2. Latch assembly (9) and two screws (10).	Remove from item (8).	
3. Retainer (7) and two screws (2).	Remove from item (11).	
<u>CAUTION</u>		
Use extreme care to ensure that the stationary glass and slide sash assembly do not fall and break when frame is opened.		
4. Plate (3), two screws (4), strip (5), glass (6), and slide sash assembly (8).	<ul style="list-style-type: none"> a. Remove two items (4). b. Slide item (8) to side of item (11) against item (3). c. Insert tip of flat head screwdriver between metal frame surfaces of items (8) and (11). d. Gently twist screwdriver. e. Remove items (5), (6), (8), and (3). 	<p>Tip of screwdriver should be 3/8" wide.</p> <p>This should force item (11) to open.</p>
B. CLEANING.		
5. Strips (1) and (5).	Clean.	Use soap solution and paper towels.
6. Slide sash assembly (8).	Clean.	Use window cleaner and paper towels.
7. All metal parts.	Clean.	Refer to paragraph 3-4.
8. Glass (6).	Clean.	Use window cleaner and paper towels.

CAB AND BODY.

3-116. REAR WINDOW REPAIR (Continued).



LEGEND:

- 1. OUTER FRAME FILLER STRIP (2)
- 2. SCREW (2)
- 3. COUPLER PLATE
- 4. SCREW (2)
- 5. GLAZING STRIP
- 6. STATIONARY GLASS

- 7. GLASS RETAINER
- 8. SLIDE SASH ASSEMBLY
- 9. LATCH ASSEMBLY
- 10. FRAME SCREW (2)
- 11. FRAME

TA238560

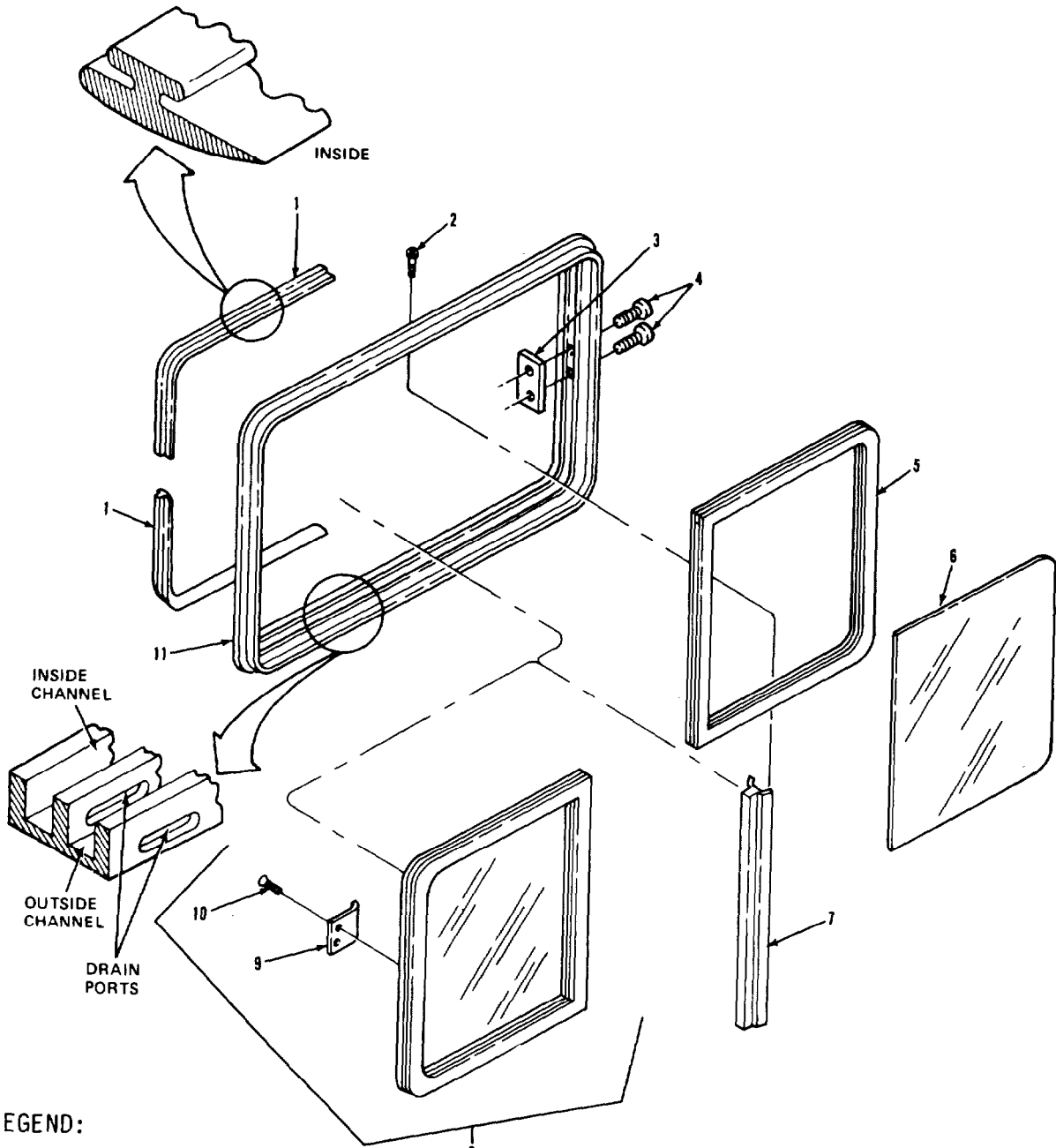
CAB AND BODY.

3-116. REAR WINDOW REPAIR (Continued).

LOCATION/ITEM	ACTION	REMARKS
C. INSPECTION.		
9. Strips (1) and (5).	Inspect for cuts, tears, and signs of damage.	Discard if cut, torn, or damaged.
10. Glass (6) and slide sash assembly (8).	Inspect glass for chipped, cracked, stained, or damaged surfaces.	Discard if chipped, cracked, stained, or damaged.
11. All metal parts.	Inspect.	Refer to paragraph 3-5.
D. ASSEMBLY.		
12. Plate (3).	Install one end to item (3) with item (4).	Leave other end disconnected.
13. Slide sash assembly (3).	Install into the inside channel of item (11).	
14. Strip (5) and glass (6).	a. Install item (5) on item (6). b. Install into the outside channel of item (11).	
15. Frame (11) and plate (3).	Close up and secure with item (4).	
16. Retainer (7).	a. Insert into the outside channel of item (11) and press firmly up against items (5) and (6). b. Secure in place with two items (2).	

CAB AND BODY.

3-116. REAR WINDOW REPAIR (Continued).



LEGEND:

- | | |
|---------------------------------|------------------------|
| 1. OUTER FRAME FILLER STRIP (2) | 7. GLASS RETAINER |
| 2. SCREW (2) | 8. SLIDE SASH ASSEMBLY |
| 3. COUPLER PLATE | 9. LATCH ASSEMBLY |
| 4. SCREW (2) | 10. LATCH SCREW (2) |
| 5. GLAZING STRIP | 11. FRAME |
| 6. STATIONARY GLASS | |

TA 238561

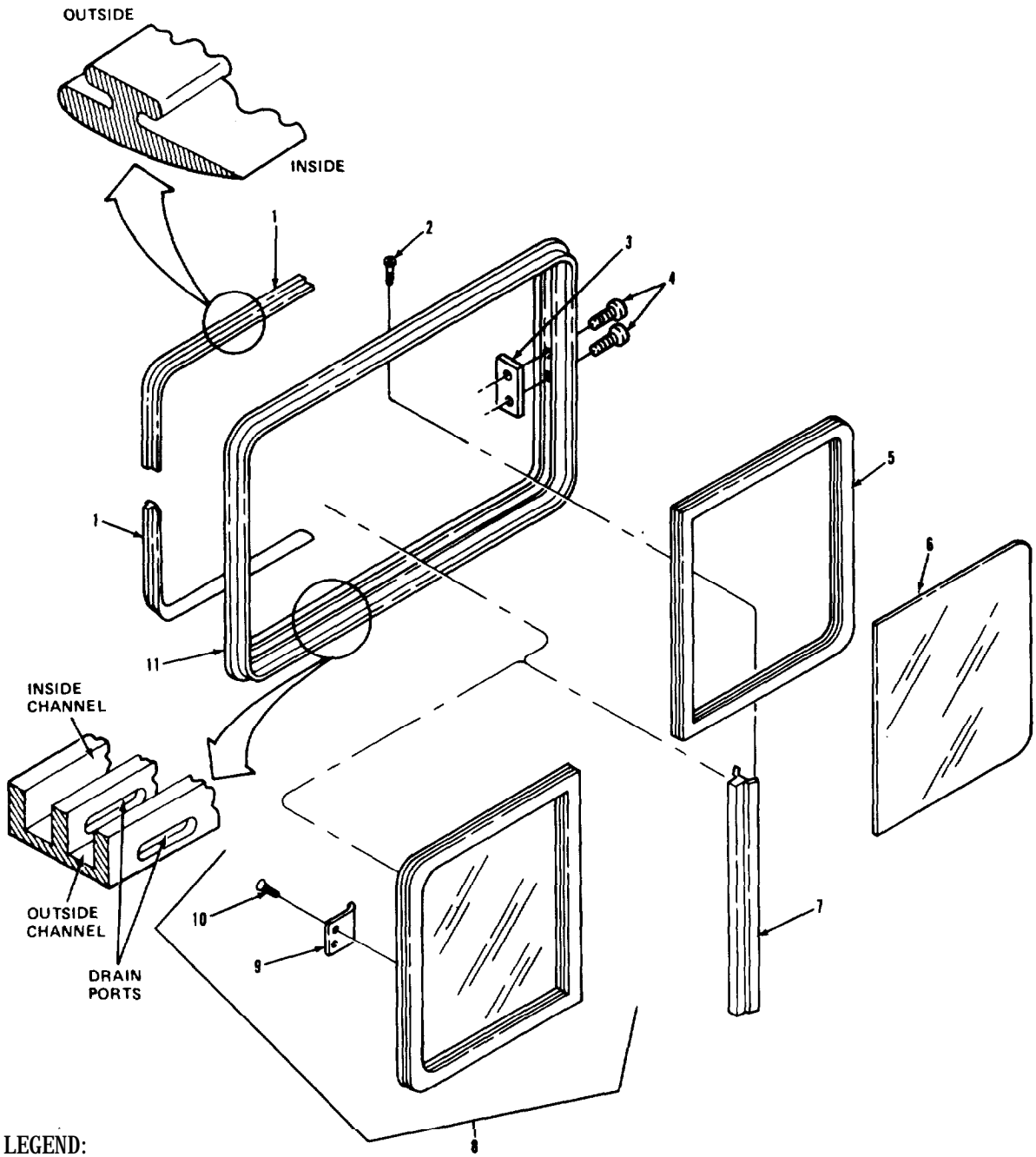
CAB AND BODY.

3-116. REAR WINDOW REPAIR (Continued).

LOCATION/ITEM	ACTION	REMARKS
D. ASSEMBLY.		
17. Latch assembly (9).	a. Place in position on item (8). b. Secure with two items (10).	
18. Two strips (1).	Install into the outside channel of item (11).	
NOTE		
Follow-on maintenance action required:		
Install rear window (para 3-115).		

CAB AND BODY.

3-116. REAR WINDOW REPAIR (Continued).



LEGEND:

- 1. OUTER FRAME FILLER STRIP (2)
- 2. SCREW (2)
- 3. COUPLER PLATE
- 4. SCREW (2)
- 5. GLAZING STRIP
- 6. STATIONARY GLASS
- 7. GLASS RETAINER
- 8. SLIDE SASH ASSEMBLY
- 9. LATCH ASSEMBLY
- 10. LATCH SCREW (2)
- 11. FRAME

TA 238562

CAB AND BODY.

3-117. DRIVER'S SEAT REPAIR.

THIS TASK COVERS

- a. Disassembly.
- b. Cleaning and Inspection.
- c. Assembly.

INITIAL SETUP

APPLICABLE CONFIGURATIONS

All.

EQUIPMENT CONDITION
PARAGRAPH

TM 9-2320-283-20.

CONDITION DESCRIPTION

Driver's seat removed.

NOTE

Do the following equipment condition when replacing entire seat assembly. New seat assembly comes with new seat belts.

TEST EQUIPMENT

None.

SPECIAL TOOLS

None.

TM 9-2320-283-20.

Seat belts removed.

MATERIALS/PARTS (P/N)

Grease, white (suitable)
 Item 11, Appendix B.
 Rags, wiping
 Item 26, Appendix B.
 Solvent, drycleaning, SD-2
 Item 31, Appendix B.

PERSONNEL REQUIRED

two (MOS-63W).

SPECIAL ENVIRONMENTAL CONDITIONS

None.

REFERENCE (TM).
 TM 9-2320-283-20.
 LO 9-2320-283-12.

GENERAL SAFETY INSTRUCTIONS

None.

TROUBLESHOOTING REFERENCES

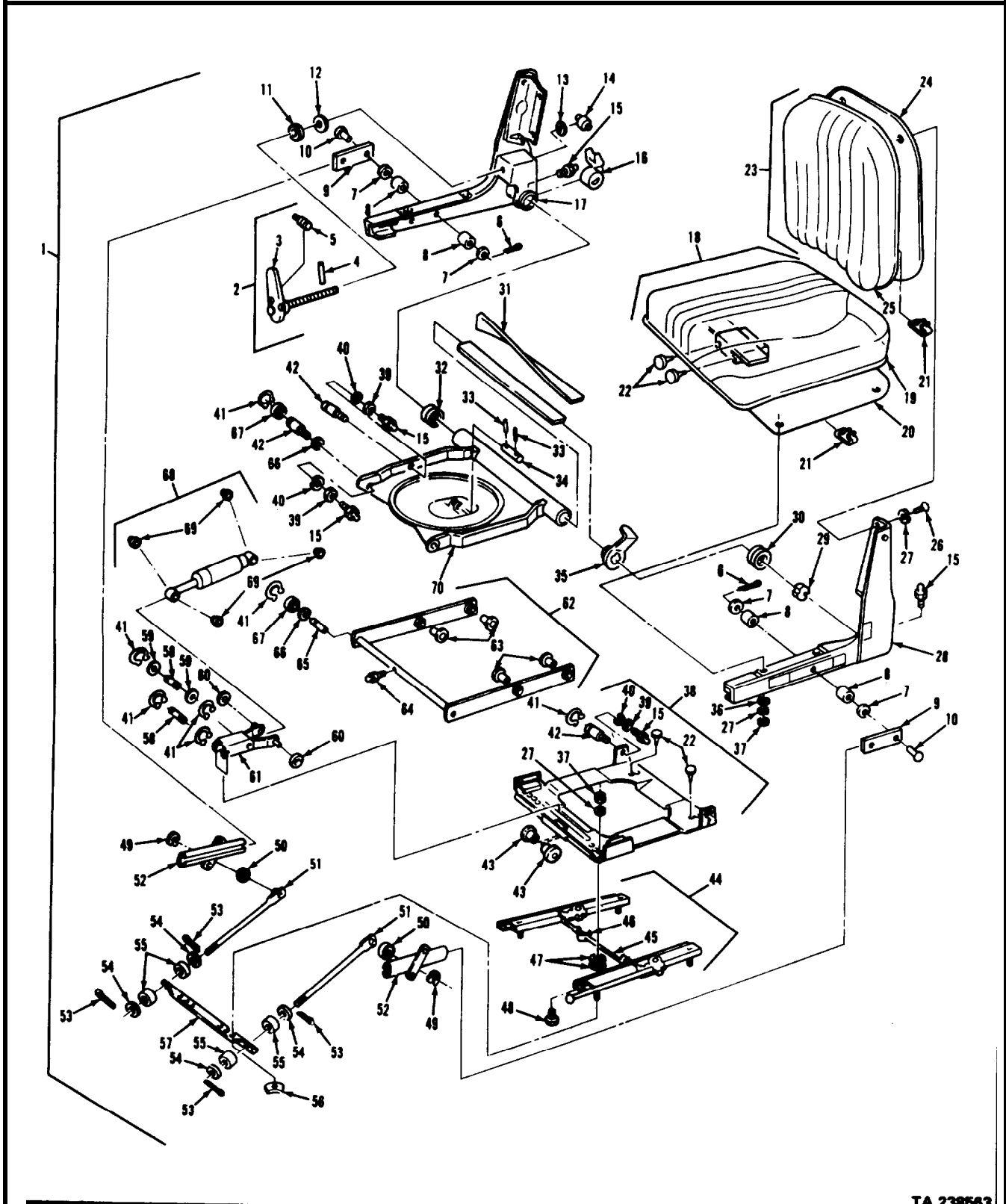
None.

CAB AND BODY.

3-117. DRIVER'S SEAT REPAIR (Continued).		
LOCATION/ITEM	ACTION	REMARKS
<p>NOTE</p> <p>Due to the many parts being serviced in this procedure, the art presentation has been modified to improve clarity. The next two pages contain the art and legend for the seat assembly. The first page shows the driver's seat completely disassembled and the second page contains a complete legend. In the step-by-step instructions, art and legend will show and list only parts of the seat assembly being discussed in the text. To avoid confusion, use the art and legend on the next two pages along with the detailed views in the text. They will aid you in seeing and understanding the exact disassembly and assembly procedure.</p>		

CAB AND BODY.

3-117. DRIVER'S SEAT REPAIR (Continued).



TA 228542

CAB AND BODY.

3-117. DRIVER'S SEAT REPAIR (Continued).

LEGEND:

- | | |
|---------------------------------------|------------------------------------|
| 1. DRIVER'S SEAT ASSEMBLY | 36. WASHER (4) |
| 2. ADJUSTER SCREW AND LEVER ASSEMBLY | 37. HEXAGON HEAD NUT (8) |
| 3. LEVER ASSEMBLY | 38. BASE ASSEMBLY |
| 4. DRIVE PIN | 39. HEXAGON HEAD LOCKNUT (6) |
| 5. TENSION SPRING | 40. LOCKWASHER (6) |
| 6. COTTER PIN (4) | 41. SNAPRING (10) |
| 7. FLAT WASHER (4) | 42. STUD (6) |
| 8. RUBBER WASHER (8) | 43. FLANGE BEARING (2) |
| 9. SLIDE RAIL (2) | 44. SLIDE RAIL ASSEMBLY |
| 10. HEADED PIN (4) | 45. CATCH WIRE |
| 11. THRUST BALL BEARING | 46. CLIP |
| 12. FLAT WASHER | 47. WASHER (8) |
| 13. WASHER | 48. HEXAGON HEAD SCREW (4) |
| 14. ADJUSTER PIN | 49. SNAPRING (2) |
| 15. SHANK LUBRICATION FITTING (8) | 50. BRONZE OILITE BEARING (2) |
| 16. ADJUSTER YOKE | 51. SUPPORT ROD (2) |
| 17. RIGHT-HAND SIDE PANEL ASSEMBLY | 52. SLIDE CHANNEL (2) |
| 18. SEAT CUSHION ASSEMBLY | 53. DRIVE LOCKPIN (4) |
| 19. SEAT CUSHION COVER ASSEMBLY | 54. FLAT WASHER (4) |
| 20. SEAT CUSHION PAN | 55. RUBBER WASHER (4) |
| 21. CUSHION FASTENER CLIP (12) | 56. SPRING CLIPS (2) |
| 22. BOTTOM AND TOPPING BUMPER (4) | 57. SUPPORT |
| 23. BACK CUSHION ASSEMBLY | 58. SHOCK ABSORBER HINGE SHAFT (2) |
| 24. BACK CUSHION PAN | 59. FLAT WASHER (2) |
| 25. BACK CUSHION COVER ASSEMBLY | 60. NYLON ROLLER (2) |
| 26. FILLISTER-PHILLIPS HEAD SCREW (4) | 61. SHOCK LEVER ASSEMBLY |
| 27. LOCKWASHER (12) | 62. OUTER LEVER ASSEMBLY |
| 28. LEFT-HAND SIDE PANEL ASSEMBLY | 63. FLANGE BEARING (4) |
| 29. TORSION BAR RETAINER | 64. SHANK LUBRICATION FITTING |
| 30. LEFT-HAND HOUSING BEARING | 65. DRIVE PIN (2) |
| 31. TORSION BAR SET (1-SET) | 66. WASHER (4) |
| 32. RIGHT-HAND HOUSING BEARING | 67. ROLLER AND BEARING ASSEMBLY |
| 33. ROLL PIN (2) | 68. SHOCK ABSORBER ASSEMBLY |
| 34. SHOCK ABSORBER HINGE SHAFT | 69. FLANGE BEARING (4) |
| 35. RIDE POSITION INDICATOR | 70. CENTER SUPPORT ASSEMBLY |

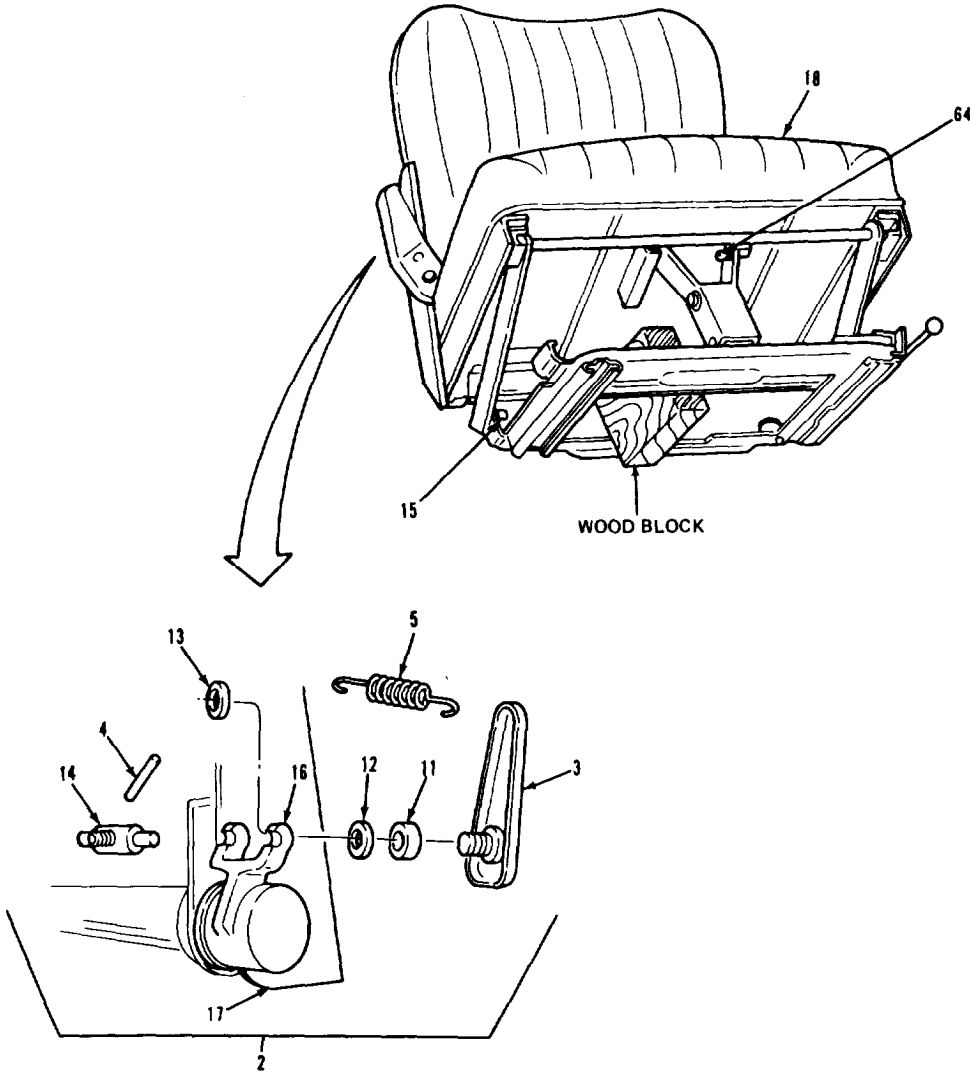
CAB AND BODY.

3-117. DRIVER'S SEAT REPAIR (Continued).

LOCATION/ITEM	ACTION	REMARKS
A. DISASSEMBLY.		
<u>WARNING</u>		
<p>Driver's seat assembly is under tension. To avoid injury to you and other personnel be sure to release tension as prescribed below.</p>		
NOTE		
<p>Mark all parts that are disassembled so that they can be properly assembled later. Transfer marks from replaced parts to new parts.</p>		
RELEASE PRELOAD TENSION ON TORSION BARS		
<p>1. Two inch-by-four inch wood block.</p>	<p>Place between torsion bar housing on item (70) and item (38) at rear of item (1).</p>	<p>Block should be no more than 3-inches high to allow item (1) to drop 1-inch so that item (18) may be removed.</p>
<p>2. Pin (4).</p>	<p>Remove from item (3).</p>	
<p>3. Adjuster screw and lever assembly (2).</p>	<p>Rotate counterclockwise until item (14) falls from item (3) and (16).</p>	<p>Turning item (2) counterclockwise releases tension.</p>
<p>4. Washer (13).</p>	<p>Remove from item (3).</p>	
<p>5. Lever assembly (3) with attached parts.</p>	<p>Remove from item (17).</p>	
<p>6. Bearing (11) and washer (12).</p>	<p>Remove from item (3).</p>	
<p>7. Spring (5).</p>	<p>Remove from item (3).</p>	

CAB AND BODY.

3-117. DRIVER'S SEAT REPAIR (Continued).



LEGEND:

- | | |
|--------------------------------------|------------------------------------|
| 1. DRIVER'S SEATS ASSEMBLY | 13. WASHER |
| 2. ADJUSTER SCREW AND LEVER ASSEMBLY | 14. ADJUSTER PIN |
| 3. LEVER ASSEMBLY | 16. ADJUSTER YOKE |
| 4. DRIVE PIN | 17. RIGHT-HAND SIDE PANEL ASSEMBLY |
| 5. TENSION SPRING | 18. SEAT CUSHION ASSEMBLY |
| 11. THRUST BALL BEARING | 38. BASE ASSEMBLY |
| 12. FLAT WASHER | 70. CENTER SUPPORT ASSEMBLY |

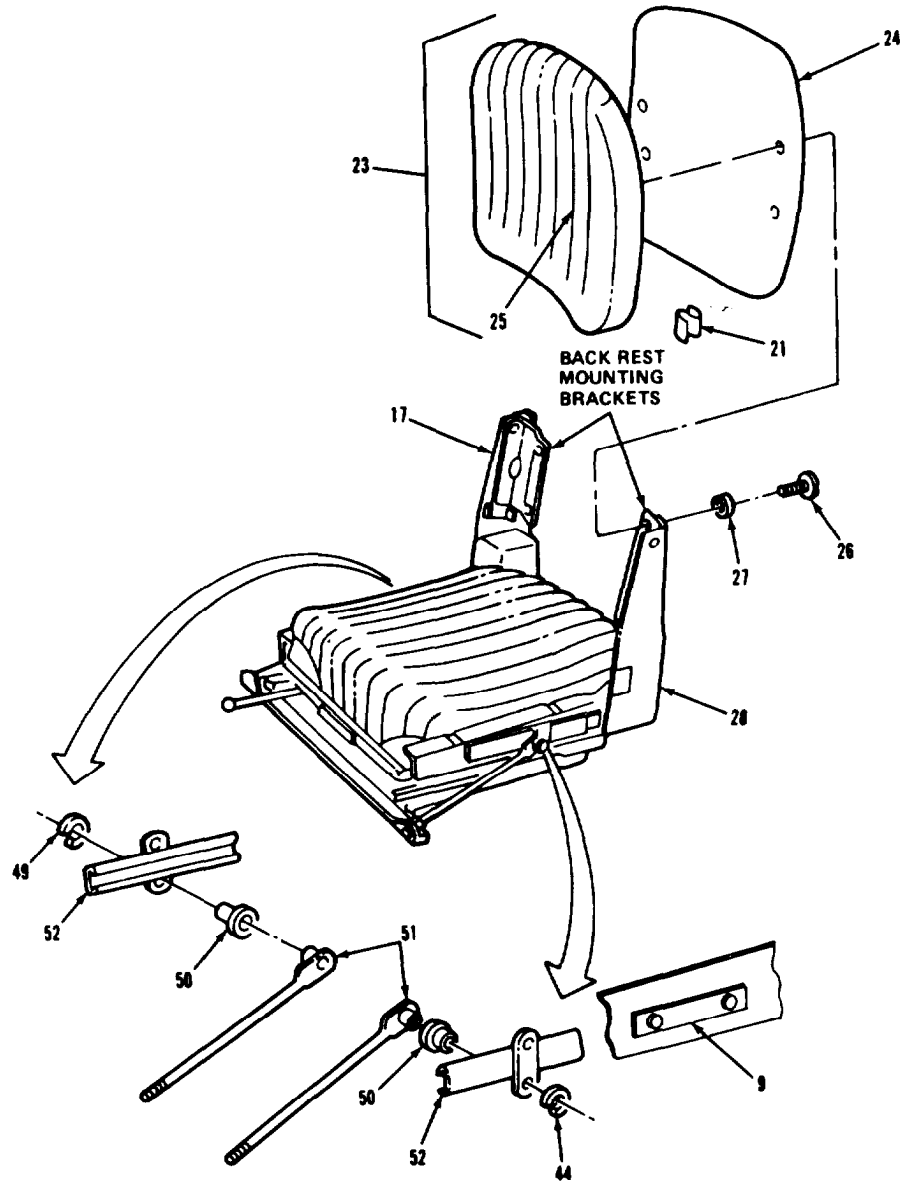
TA 238564

CAB AND BODY.

3-117. DRIVER'S SEAT REPAIR (Continued).		
LOCATION/ITEM	ACTION	REMARKS
A. DISASSEMBLY (Continued)		
BACK CUSHION ASSEMBLY		
8. Four screws (26) and lock-washers (27).	a. Remove from item (23). b. Remove item (23) from items (17) and (28).	
9. Back cushion cover assembly (25).	a. Remove from six items (21). 1 b. Separate item (25) from item (24).	
10. Six clips (21).	Remove from item (24).	
SEAT CUSHION ASSEMBLY		
11. Two snaprings (49).	Remove from two items (51).	
12. Two rods (51).	Remove from two items (52).	
13. Two channels (52).	Remove from two items (9).	
NOTE		
If bearings are damaged, do step 14; otherwise, go to step 15.		
14. Two bearings (50).	Remove from two items (52), if necessary.	

CAB AND BODY.

3-117. DRIVER'S SEAT REPAIR (Continued).



LEGEND:

- | | |
|---------------------------------------|-----------------------------------|
| 9. SLIDE RAIL (2) | 27. LOCKWASHER (12) |
| 17. RIGHT-HAND SIDE PANEL ASSEMBLY | 28. LEFT-HAND SIDE PANEL ASSEMBLY |
| 21. CUSHION FASTENER CLIP (12) | 49. SNAPRING (2) |
| 23. BACK CUSHION ASSEMBLY | 50. BRONZE OILITE BEARING (2) |
| 24. BACK CUSHION PAN | 51. SUPPORT ROD (2) |
| 25. BACK CUSHION COVER ASSEMBLY | 52. SLIDE CHANNEL (2) |
| 26. FILLISTER-PHILLIPS HEAD SCREW (4) | |

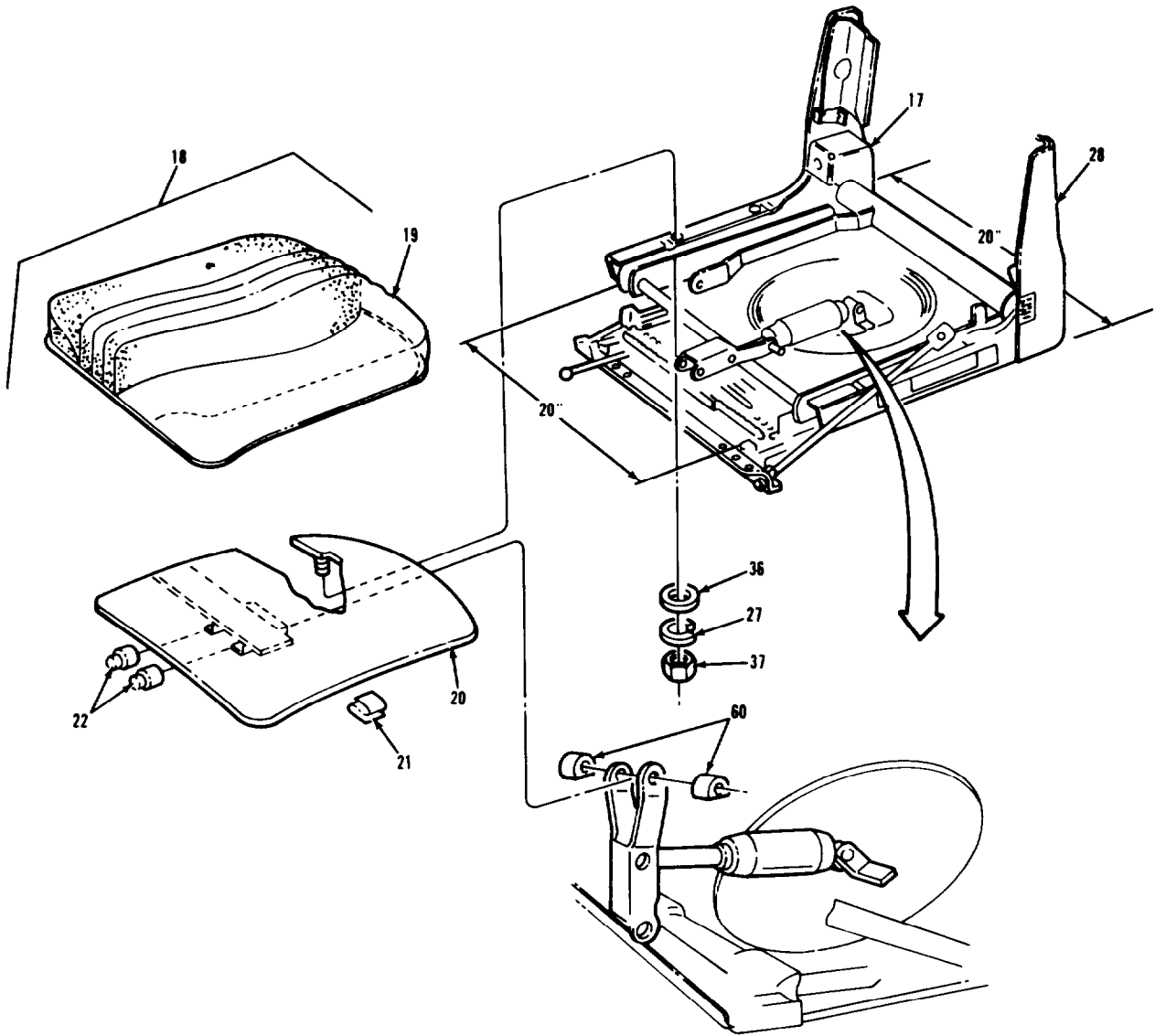
TA238565

CAB AND BODY.

3-117. DRIVER'S SEAT REPAIR (Continued).		
LOCATION/ITEM	ACTION	REMARKS
A. DISASSEMBLY (Continued).		
15. Four nuts (37), lockwashers (27), washers (36), and seat cushion assembly (18).	Remove from item (17) and (28).	
16. Seat cushion assembly (18).	Lift up and move forward to free from two items (60).	
17. Seat cushion cover assembly (19).	a. Remove from six items (21). b. Separate item (19) from item (20).	
18. Six clips (21).	Remove from item (20).	
NOTE		
If bumpers are damaged, do step 19; otherwise, go to step 20.		
19. Two bumpers (22).	Remove from channel on item (20) if necessary.	

CAB AND BODY.

3-117. DRIVER'S SEAT REPAIR (Continued).



LEGEND:

- 17. RIGHT-HAND SIDE PANEL ASSEMBLY
- 18. SEAT CUSHION ASSEMBLY
- 19. SEAT CUSHION COVER ASSEMBLY
- 20. SEAT CUSHION PAN
- 21. CUSHION FASTENER CLIP (12)
- 22. BOTTOM AND TOPPING BUMPER (4)

- 27. LOCKWASHER (12)
- 28. LEFT-HAND SIDE PANEL ASSEMBLY
- 36. WASHER (4)
- 37. HEXAGON HEAD NUT (8)
- 60. NYLON ROLLER (2)

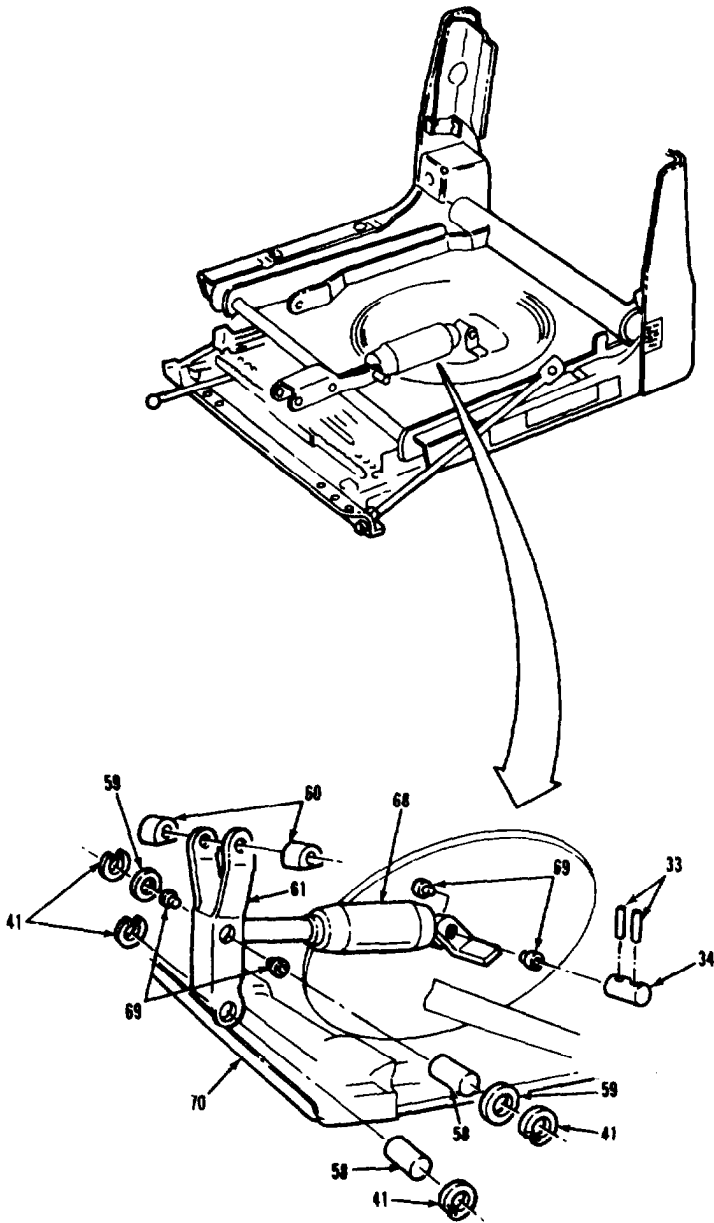
TA 238566

CAB AND BODY.

3-117. DRIVER'S SEAT REPAIR (Continued).		
LOCATION/ITEM	ACTION	REMARKS
A. DISASSEMBLY (Continued).		
SHOCK ABSORBER ASSEMBLY		
20. Two snaprings (41).	Remove from item (58).	
21. Shaft (58).	a. Remove from item (70) and item (61). b. Raise item (61) from item (70).	
22. Two snaprings 41 and washers 59.	Remove from item (58).	
23. Shaft (58).	a. Remove from item (61) and item (68). b. Remove item (61) from item (68).	
24. Two rollers (60).	Remove from item (61).	
25. Two pins (33).	Remove from item (34).	
26. Shaft (34).	a. Remove from item (70) and item (68). b. Remove item (68) from item (70).	
NOTE		
If flange bearings in shock absorber are damaged, do step 27; otherwise, go to step 28.		
27. Four bearings (69).	Remove from item (68).	

CAB AND BODY.

3-117. DRIVER'S SEAT REPAIR (Continued).



LEGEND:

- | | |
|------------------------------------|-----------------------------|
| 33. ROLL PIN (2) | 60. NYLON ROLLER (2) |
| 34. SHOCK ABSORBER HINGE SHAFT | 61. SHOCK LEVER ASSEMBLY |
| 41. SNAPRING (10) | 68. SHOCK ABSORBER ASSEMBLY |
| 58. SHOCK ABSORBER HINGE SHAFT (2) | 69. FLANGE BEARING (4) |
| 59. FLAT WASHER (2) | 70. CENTER SUPPORT ASSEMBLY |

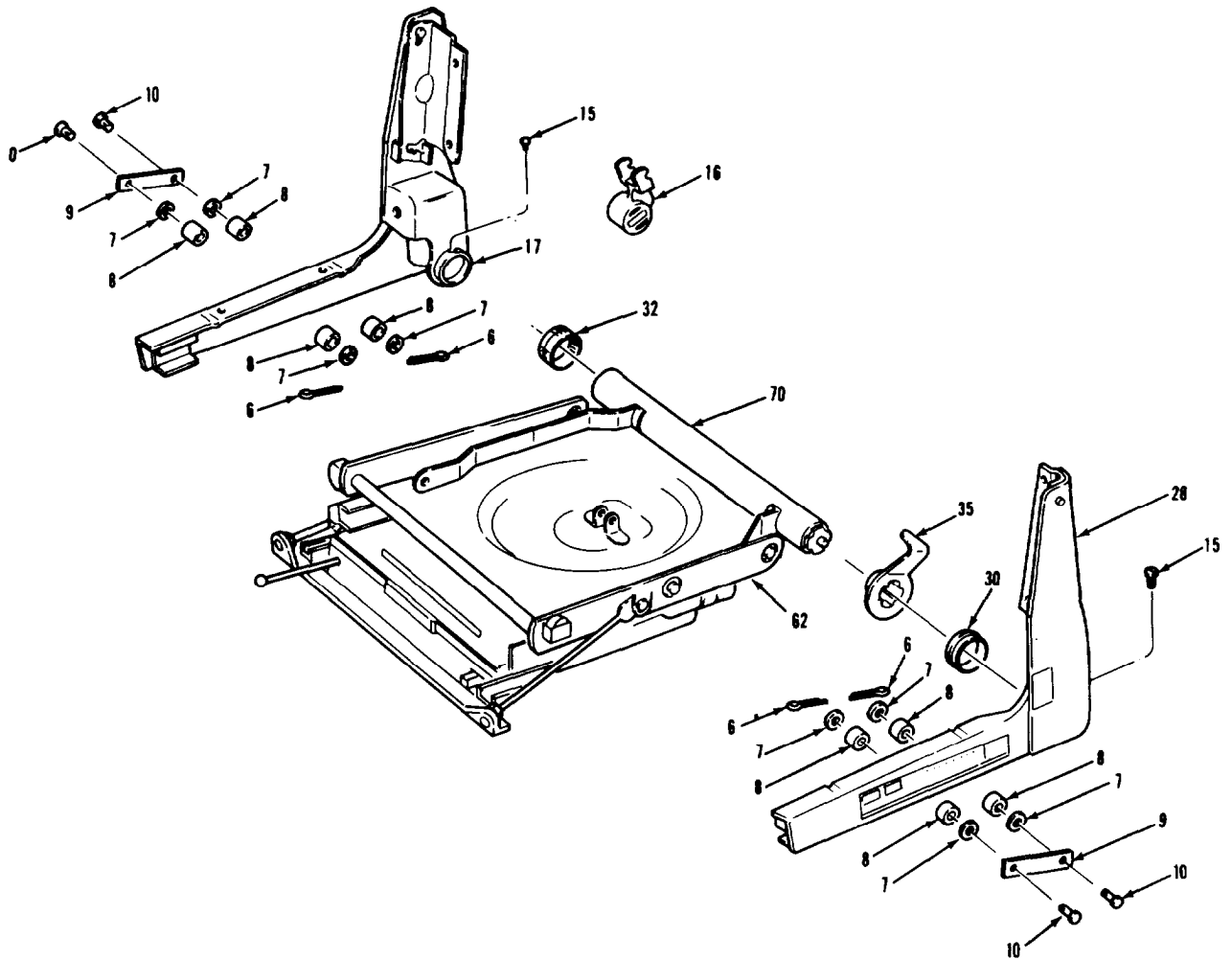
TA 238567

CAB AND BODY.

3-117. DRIVER'S SEAT REPAIR (Continued).		
LOCATION/ITEM	ACTION	REMARKS
A. DISASSEMBLY (Continued).		
SIDE PANEL ASSEMBLIES		
28. Left-hand side panel assembly (28).	Pull from items (70) and (62).	Item (30) may stay with item (70).
29. Bearing (30).	Remove from item (28) or item (70).	
30. Indicator (35).	Slide from item (70).	
31. Two pins (6).	a. Remove from two items (10). b. Remove two items (10), four items (7), four items (8), and item (9).	
32. Right-hand side panel assembly (7).	a. Pull from items (70) and (62). b. Remove item (16).	Item (32) may stay in place.
33. Bearing (32).	Remove from item (17) or item (70).	
34. Two pins (6).	a. Remove from two items (10). b. Remove two items (10), four items (7), four items (8), and item (9).	
NOTE		
If fittings are damaged, do step 35; otherwise, go to step 36.		
35. Two fittings (15).	Remove one item (15) from either item (17) or (28).	

CAB AND BODY.

3-117. DRIVER'S SEAT REPAIR (Continued).



LEGEND:

- | | |
|-----------------------------------|------------------------------------|
| 6. COTTER PIN (4) | 17. RIGHT-HAND SIDE PANEL ASSEMBLY |
| 7. FLAT WASHER (4) | 28. LEFT-HAND SIDE PANEL ASSEMBLY |
| 8. RUBBER WASHER (8) | 30. LEFT-HAND HOUSING BEARING |
| 9. SLIDE RAIL (2) | 32. RIGHT-HAND HOUSING BEARING |
| 10. HEADED PIN (4) | 35. RIDE POSITION INDICATOR |
| 15. SHANK LUBRICATION FITTING (8) | 62. OUTER LEVER ASSEMBLY |
| 16. ADJUSTER YOKE | 70. CENTER SUPPORT ASSEMBLY |

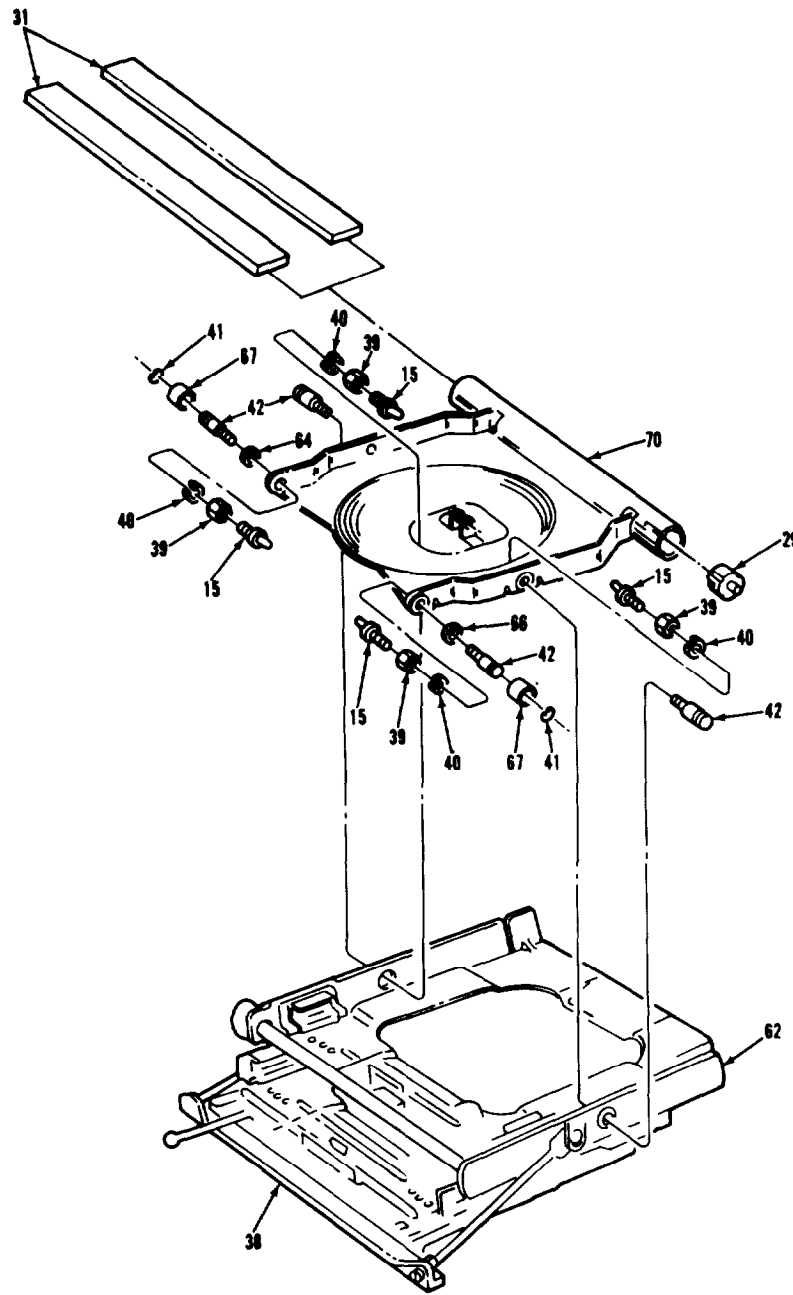
TA 238568

CAB AND BODY.

3-117. DRIVER'S SEAT REPAIR (Continued).		
LOCATION/ITEM	ACTION	REMARKS
A. DISASSEMBLY (Continued).		
CENTER SUPPORT ASSEMBLY		
36. Wood block.	Remove.	
37. Retainer (29).	Remove from item (70).	
38. Bar set (31).	Remove from item (70).	
39. Two locknuts (39) and lockwashers (40).	Remove from two center holes in item (42).	
40. Two center studs (42).	Remove from item (62) and (70).	
41. Support (70).	Slide from two channels in item (38).	
42. Two locknuts (39), lockwashers (40), and snaprings (41).	Remove from two front items (42).	
43. Two washers (66) and roller and bearing assemblies (67).	Remove from two items (42).	
44. Two studs (42).	Remove from item (70).	
NOTE		
If any fitting is damaged, do step 45; otherwise, go to step 46.		
45. Four fittings (15).	Remove from four items (42) if necessary.	

CAB AND BODY.

3-117. DRIVER'S SEAT REPAIR (Continued).



LEGEND:

- | | |
|-----------------------------------|-------------------------------------|
| 15. SHANK LUBRICATION FITTING (8) | 41. SNAPRING (10) |
| 29. TORSION BAR RETAINER | 42. STUD (6) |
| 31. TORSION BAR SET (1-SET) | 62. OUTER LEVER ASSEMBLY |
| 38. BASE ASSEMBLY | 66. WASHER (4) |
| 39. HEXAGON HEAD LOCKNUT (6) | 67. ROLLER AND BEARING ASSEMBLY (2) |
| 40. LOCKWASHER (6) | 70. CENTER SUPPORT ASSEMBLY |

TA 238569

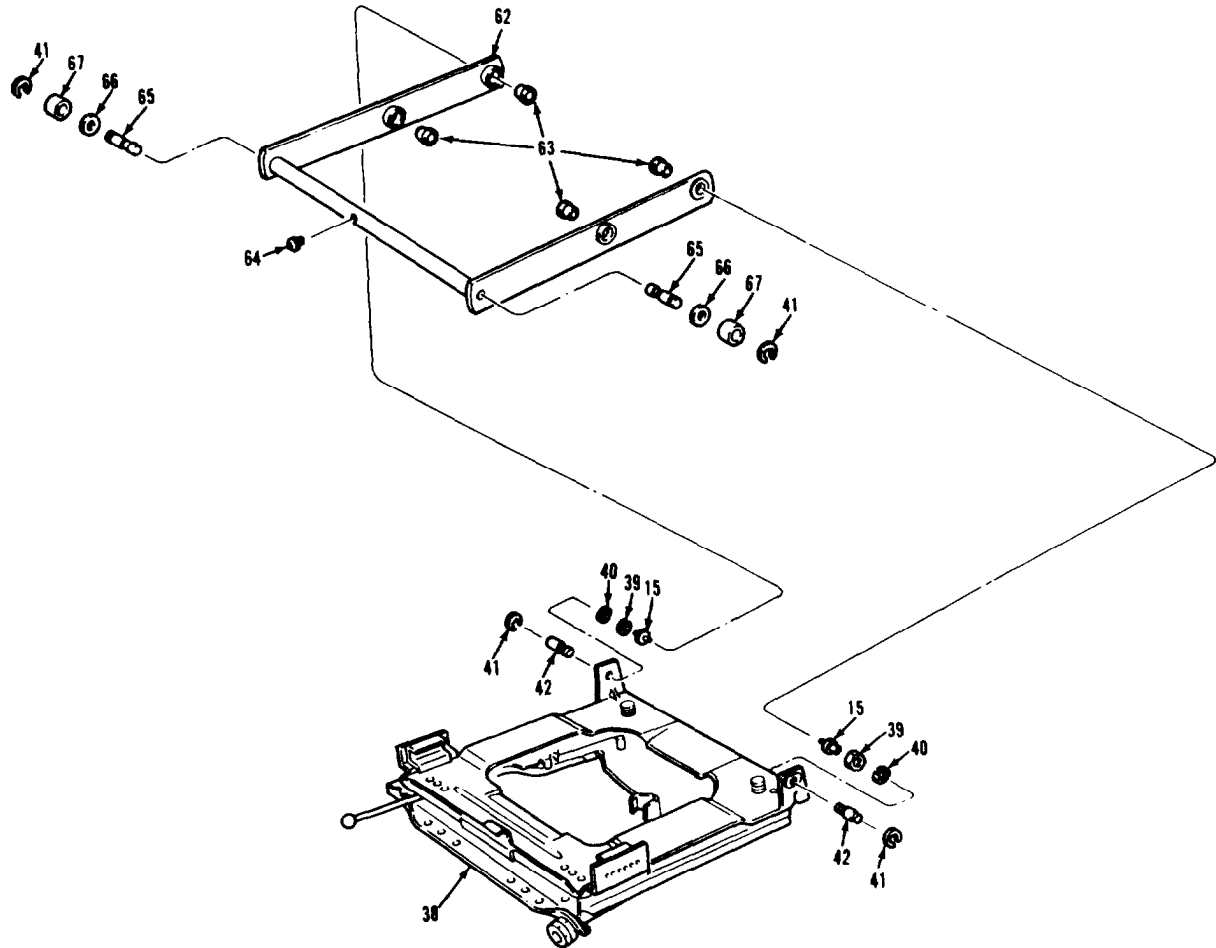
CAB AND BODY.

3-117. DRIVER'S SEAT REPAIR (Continued).

LOCATION/ITEM	ACTION	REMARKS
A. DISASSEMBLY (Continued).		
OUTER LEVER ASSEMBLY		
46. Two locknuts (39), lockwashers (40), and snaprings (41).	Remove from two items (42).	
47. Two studs (42).	Remove from item (38) and (62).	
48. Outer lever assembly (62).	Remove from item (38).	
49. Two snaprings (41), roller and bearing assemblies (67), and washers (66).	Remove from two items (65).	
50. Two pins (65).	Remove from item (62).	
NOTE		
<ul style="list-style-type: none"> • If any fitting is damaged, do step 51 or 52; otherwise, go to step 53. • If any flange bearing is damaged, do step 53; otherwise, go to step 54. 		
51. Two fittings (15).	Pull from two items (42), if necessary.	
52. Fitting (64).	Pull from item (38), if necessary.	
53. Four bearings (63).	Remove from item (38), if necessary.	

CAB AND BODY.

3-117. DRIVER'S SEAT REPAIR (Continued).



LEGEND:

- | | |
|-----------------------------------|---------------------------------|
| 15. SHANK LUBRICATION FITTING (8) | 62. OUTER LEVER ASSEMBLY |
| 38. BASE ASSEMBLY | 63. FLANGE BEARING (4) |
| 39. HEXAGON HEAD LOCKNUT (6) | 64. SHANK LUBRICATION FITTING |
| 40. LOCKWASHER (6) | 65. DRIVE PIN (2) |
| 41. SNAPRING (10) | 66. WASHER (4) |
| 42. STUD (6) | 67. ROLLER AND BEARING ASSEMBLY |

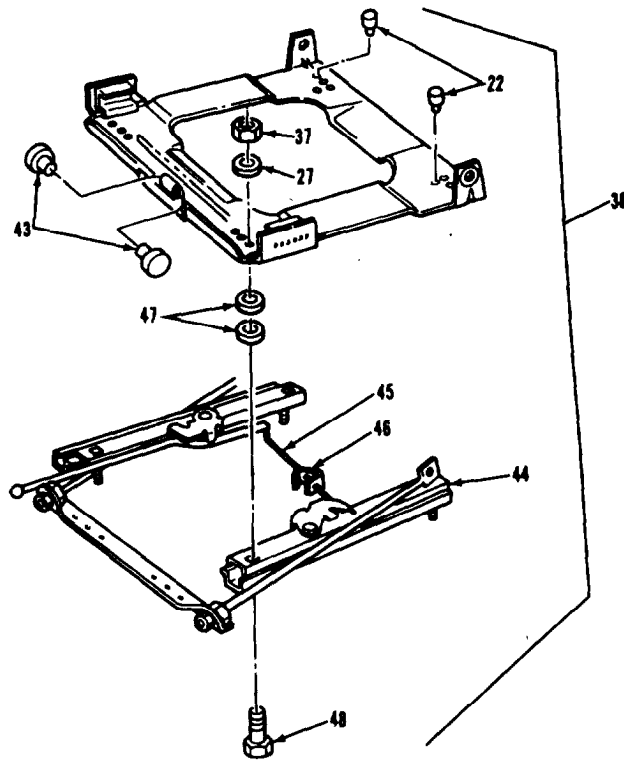
TA 238570

CAB AND BODY.

3-117. DRIVER'S SEAT REPAIR (Continued).		
LOCATION/ITEM	ACTION	REMARKS
A. DISASSEMBLY (Continued).		
BASE ASSEMBLY		
NOTE		
Move slide rail assembly as necessary to access mounting hardware.		
54. Four nuts (37), lockwashers (27), screws (48), and eight washers (47).	a. Remove from item (38). b. Remove item (38) from item (44).	Remove eight items (47) after removing item (38).
NOTE		
<ul style="list-style-type: none"> • If either bumper is damaged, do step 55; otherwise, go to step 56. • If either flange bearing is damaged, do step 56; otherwise, go to step 57. 		
55. Two bumpers (22).	Remove from item (38), if necessary.	
56. Two bearings (43).	Remove from item (38), if necessary.	

CAB AND BODY.

3-117. DRIVER'S SEAT REPAIR (Continued).



LEGEND:

- 22. BOTTOM AND TOPPING BUMPER (4)
- 27. LOCKWASHER (12)
- 37. HEXAGON HEAD NUT (8)
- 38. BASE ASSEMBLY
- 43. FLANGE BEARING (2)

- 44. SLIDE RAIL ASSEMBLY
- 45. CATCH WIRE
- 46. CLIP
- 47. WASHER (8)
- 48. HEXAGON HEAD SCREW (4)

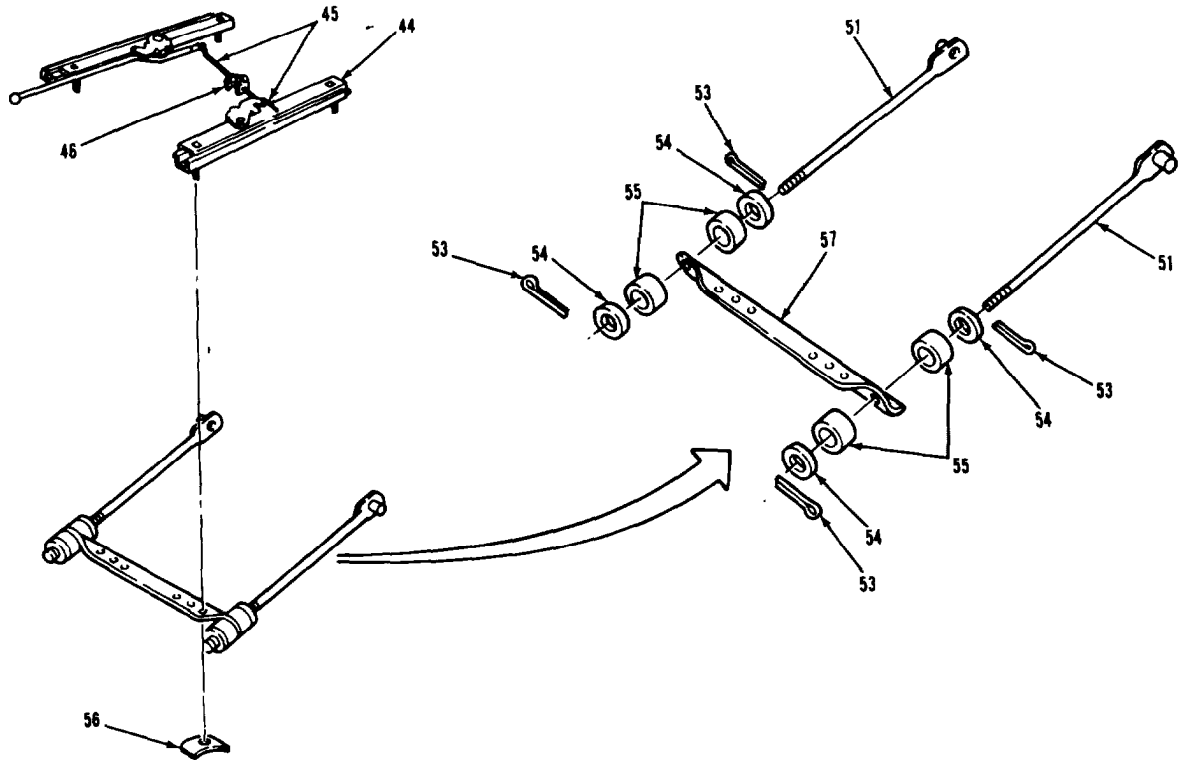
TA 23857

CAB AND BODY.

3-117. DRIVER'S SEAT REPAIR (Continued).		
LOCATION/ITEM	ACTION	REMARKS
A. DISASSEMBLY (Continued).		
SLIDE RAIL ASSEMBLY		
57. Clip (46).	Remove from item (45).	
58. Wire (45).	Remove from item (44).	Note mounting hole positions before removing item (45).
59. Two clips (56).	Remove from item (57).	
60. Support (57) with attached parts.	Remove from item (44).	Note mounting hole positions before removing item (57).
61. Two lockpins (53).	Remove from two items (51).	Assistant helps remove two items (53).
62. Two washers (54) and washers (55).	Remove from two items (51).	
63. Two rods (51).	Remove from item (57).	
64. Two washers (55), washers (54), and lockpins (53).	Remove from two items (51).	
B. CLEANING AND INSPECTION.		
65. All parts.	Clean and inspect.	Refer to paragraphs 3-4 and 3-5.

CAB AND BODY.

3-117. DRIVER'S SEAT REPAIR (Continued).



LEGEND:

- 44. SLIDE RAIL ASSEMBLY
- 45. CATCH WIRE
- 46. CLIP
- 51. SUPPORT ROD (2)
- 53. DRIVE LOCKPIN (4)

- 54. FLAT WASHER (4)
- 55. RUBBER WASHER (4)
- 56. SPRING CLIPS (2)
- 57. SUPPORT

TA 238572

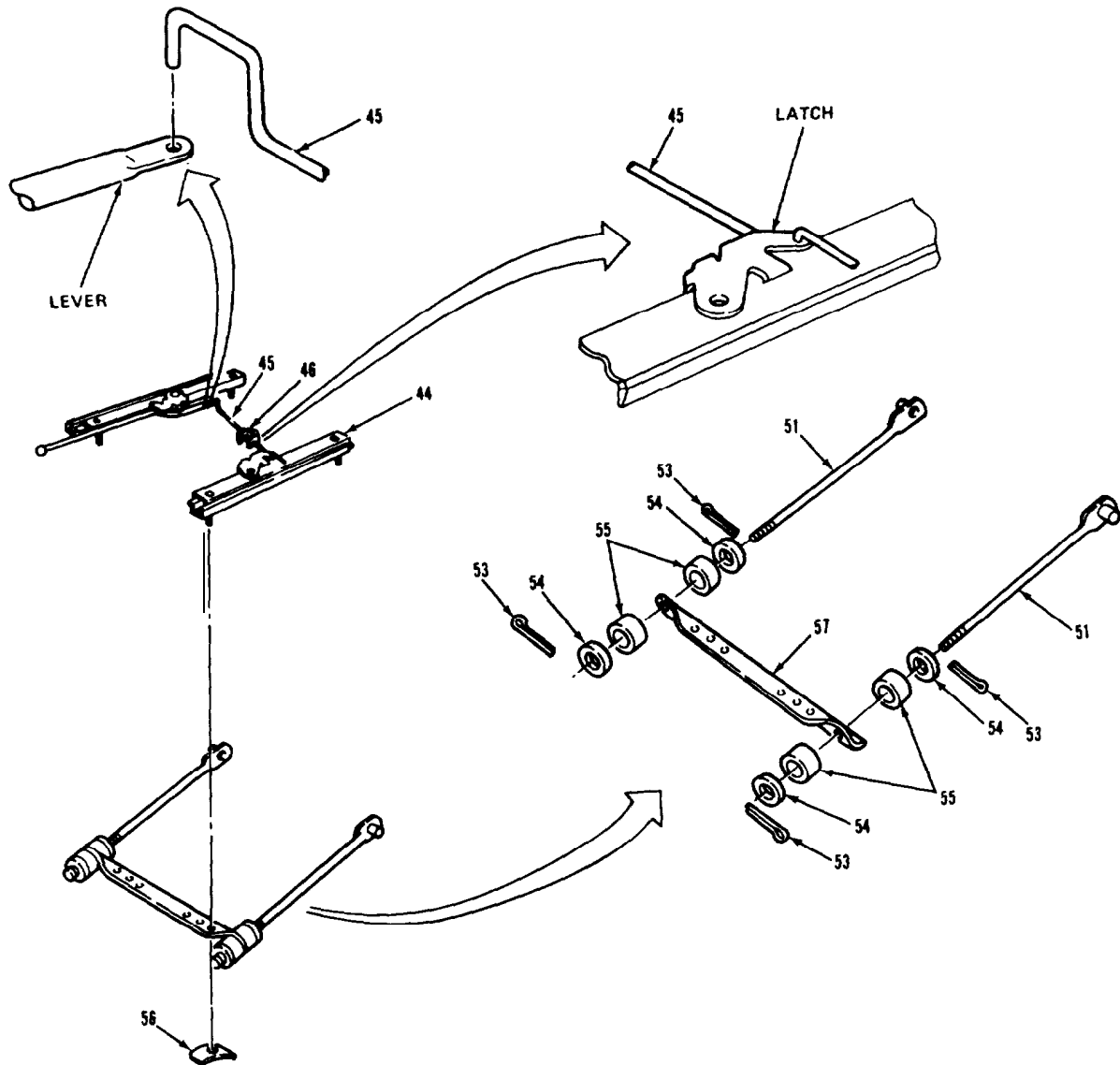
CAB AND BODY.

3-117. DRIVER'S SEAT REPAIR (Continued).

LOCATION/ITEM	ACTION	REMARKS
C. ASSEMBLY.		
SLIDE RAIL ASSEMBLY		
66. Two lockpins (53), washers (54), and washers (55).	Install on two items (51).	
67. Two rods (51) with attaching parts.	Install in item (57).	
68. Two washers (55), washers (54), and lockpins (53).	Install on two items (51).	Assistant helps install two items (53).
69. Support (57) with attached parts.	a. Line up two outside holes in item (57) with two studs on item (44). b. Secure with two items (56).	Item (57) is positioned at end where lever on item (44) sticks out. This is front position for item (1).
70. Wire (45).	a. Install in position holes in item (44). (See illustration). b. Secure with item (46).	
71. Slide rail assembly (44).	Lubricate with suitable white grease.	

CAB AND BODY.

3-117. DRIVER'S SEAT REPAIR (Continued).



LEGEND:

- 44. SLIDE RAIL ASSEMBLY
- 45. CATCH WIRE
- 46. CLIP
- 51. SUPPORT ROD (2)
- 53. DRIVE LOCKPIN (4)

- 54. FLAT WASHER (4)
- 55. RUBBER WASHER (4)
- 56. SPRING CLIP (2)
- 57. SUPPORT

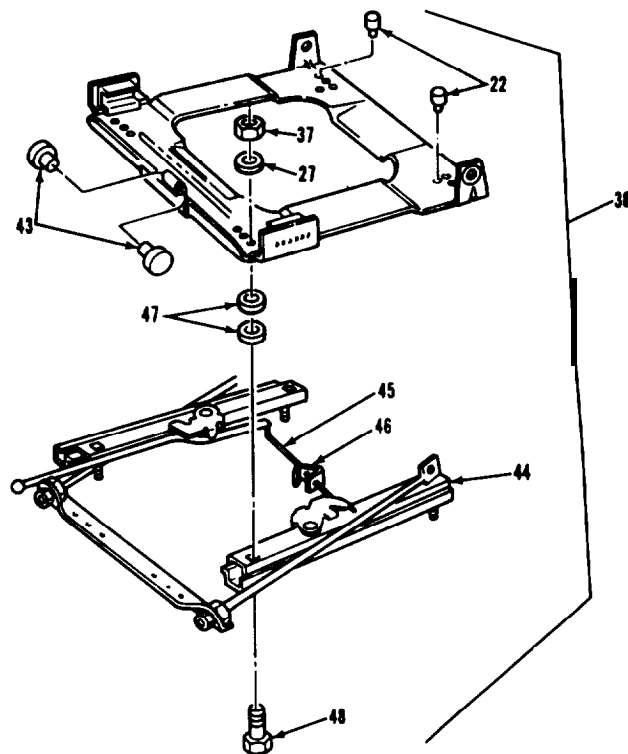
TA 23857

CAB AND BODY.

3-117. DRIVER'S SEAT REPAIR (Continued).		
LOCATION/ITEM	ACTION	REMARKS
C. ASSEMBLY (Continued).		
BASE ASSEMBLY		
NOTE		
<ul style="list-style-type: none"> • If either flange bearing was removed, do step 72; otherwise, go to step 73. • If either bumper was removed, do step 73; otherwise, go to step 74. 		
72. Two bearings (43).	Install in item (38), if necessary.	
73. Two bumpers (22).	Install in item (38), if necessary.	
NOTE		
Move slide rail assembly as necessary to access mounting hardware.		
74. Eight washers (47).	Place two items (47) each over four holes in item (44).	
75. Base assembly (38)	<p>a. Line up four holes in item (38) with four holes in item (44) and (47).</p> <p>b. Secure with four items (37), (27), and (48).</p>	<p>In order to line up holes between item (38) and (47), you may have to pinch item (46) closed to Slide item (45) to correct length.</p>
76. Slide rail assembly (44).	Check that latches on item (44) open and close together.	Adjust position of latches by pinching item (46) closed until item (45) automatically slides into position.

CAB AND BODY.

3-117. DRIVER'S SEAT REPAIR (Continued).



LEGEND:

- 22. BOTTOM AND TOPPING BUMPER (4)
- 27. LOCKWASHER (12)
- 37. HEXAGON HEAD NUT (8)
- 38. BASE ASSEMBLY
- 43. FLANGE BEARING (2)

- 44. SLIDE RAIL ASSEMBLY
- 45. CATCH WIRE
- 46. CLIP
- 47. WASHER (8)
- 48. HEXAGON HEAD SCREW (4)

TA 238574

CAB AND BODY.

3-117. DRIVER'S SEAT REPAIR (Continued).

LOCATION/ITEM

ACTION

REMARKS

C. ASSEMBLY (Continued).

OUTER LEVER ASSEMBLY

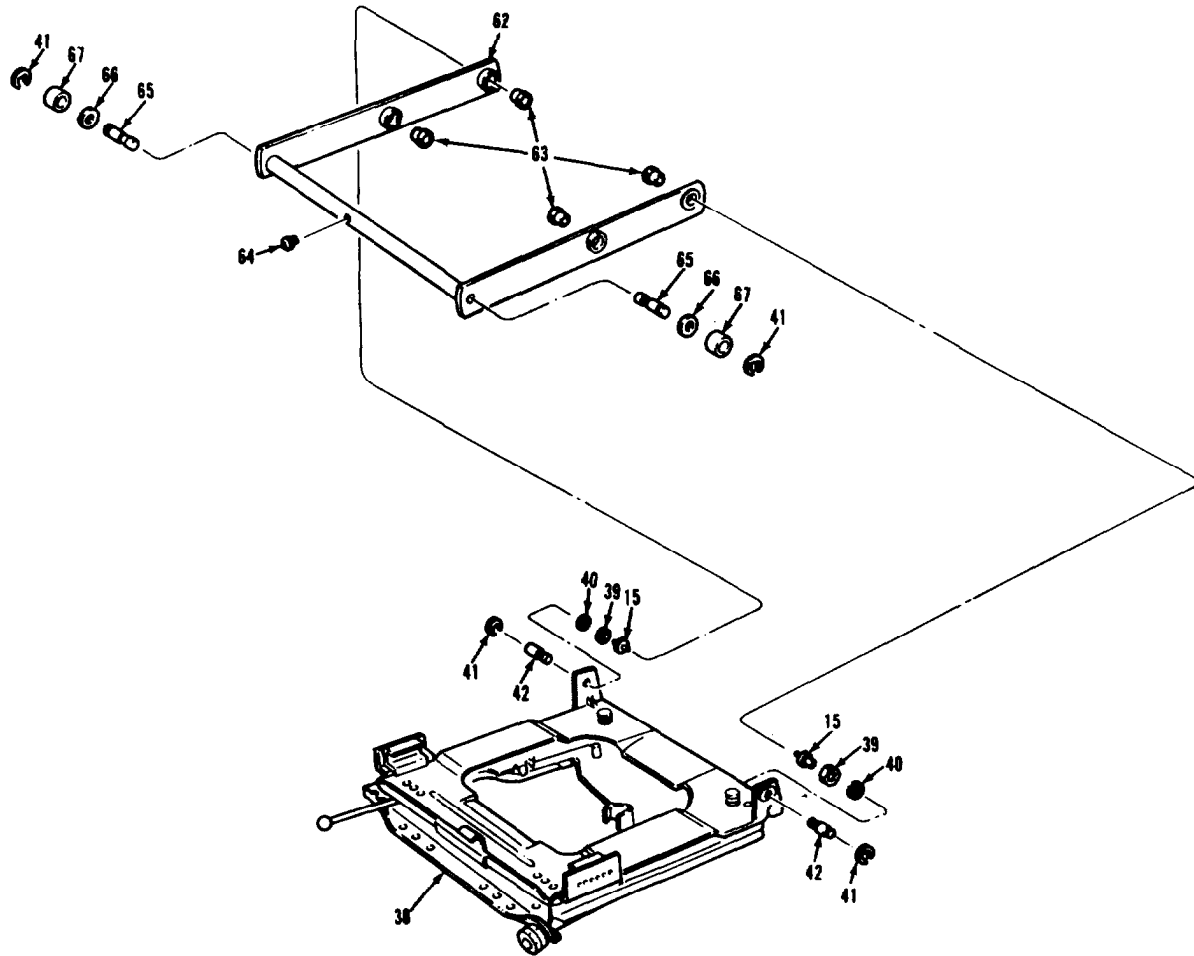
NOTE

- If any flange bearing was removed; do step 77, otherwise go to step 78.
- If any fitting was removed; do step 78 or 79, otherwise go to step 80.

77. Four bearings (63).	Install in item (62) if necessary.
78. Fitting (64).	Install in item (62) if necessary.
79. Two fittings (15).	Install in two items (42) if necessary.
80. Two pins (65).	Install in item (62).
81. Two washers (66) and roller and bearing assemblies (67).	a. Install on two items (65). b. Secure with two items (41).
82. Outer lever assembly (62).	Line up two rear holes in item (62) with two rear holes in item (38).
83. Two studs (42).	a. Install in item (38) and (62). b. Secure with two items (39), (40), and (41).

CAB AND BODY.

3-117. DRIVER'S SEAT REPAIR (Continued).



LEGEND:

- | | |
|-----------------------------------|-------------------------------------|
| 15. SHANK LUBRICATION FITTING (8) | 62. OUTER LEVER ASSEMBLY |
| 38. BASE ASSEMBLY | 63. FLANGE BEARING (4) |
| 39. HEXAGON HEAD LOCKNUT (6) | 64. SHANK LUBRICATION FITTING |
| 40. LOCKWASHER (6) | 65. DRIVE PIN (2) |
| 41. SNAPRING (10) | 66. WASHER (4) |
| 42. STUD (6) | 67. ROLLER AND BEARING ASSEMBLY (2) |

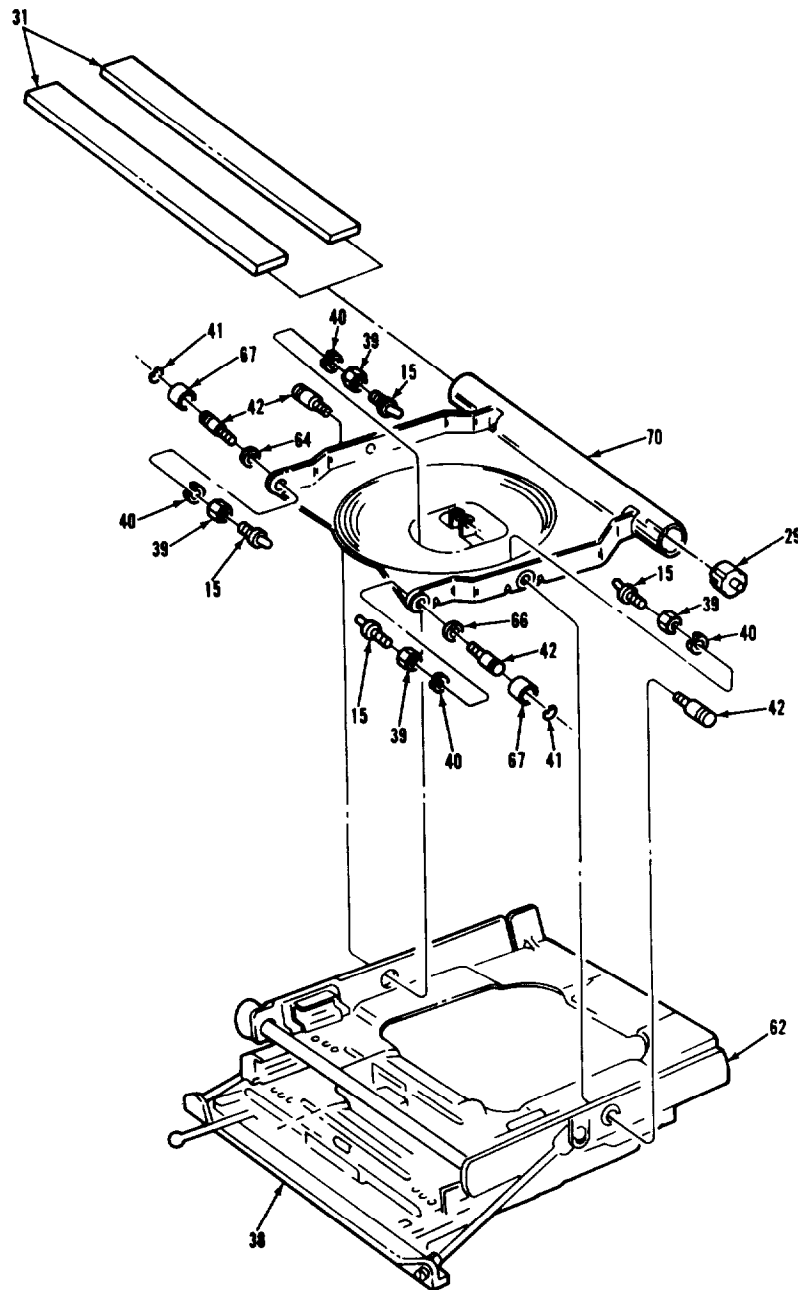
TA 238575

CAB AND BODY.

3-117. DRIVER'S SEAT REPAIR (Continued).		
LOCATION/ITEM	ACTION	REMARKS
C. ASSEMBLY (Continued).		
CENTER SUPPORT ASSEMBLY		
NOTE		
If any fitting was removed; do step 84, otherwise go to step 85.		
84. Four fittings (15).	Install in four items (42), if necessary.	
85. Two studs (42).	Install in item (70).	
86. Two washers (66) and roller and bearing assemblies (67).	a. Install on two items (42). b. Secure with two items (39), (40), and (41).	
87. Center support assembly (70).	a. Slide into two channels in item (38). b. Line up two center holes in item (70) with two center holes in item (62). c. Place two items (42) in two center holes in items (70) and (62). d. Secure with two items (39) and (40).	
88. Bar set (31).	a. Liberally lubricate with suitable white grease. b. Install in item (70).	
89. Retainer (29).	a. Line up slot in item (29) with item (31). b. Install in item (70).	

CAB AND BODY.

3-117. DRIVER'S SEAT REPAIR (Continued).



LEGEND:

- 15. SHANK LUBRICATION FITTING (8)
- 29. TORSION BAR RETAINER
- 31. TORSION BAR SET (1-SET)
- 38. BASE ASSEMBLY
- 39. HEXAGON HEAD LOCKNUT (6)
- 40. LOCKWASHER (6)

- 41. SNAPRING (10)
- 42. STUD (6)
- 62. OUTER LEVER ASSEMBLY
- 66. WASHER (4)
- 67. ROLLER AND BEARING ASSEMBLY (2)
- 70. CENTER SUPPORT ASSEMBLY

TA 238576

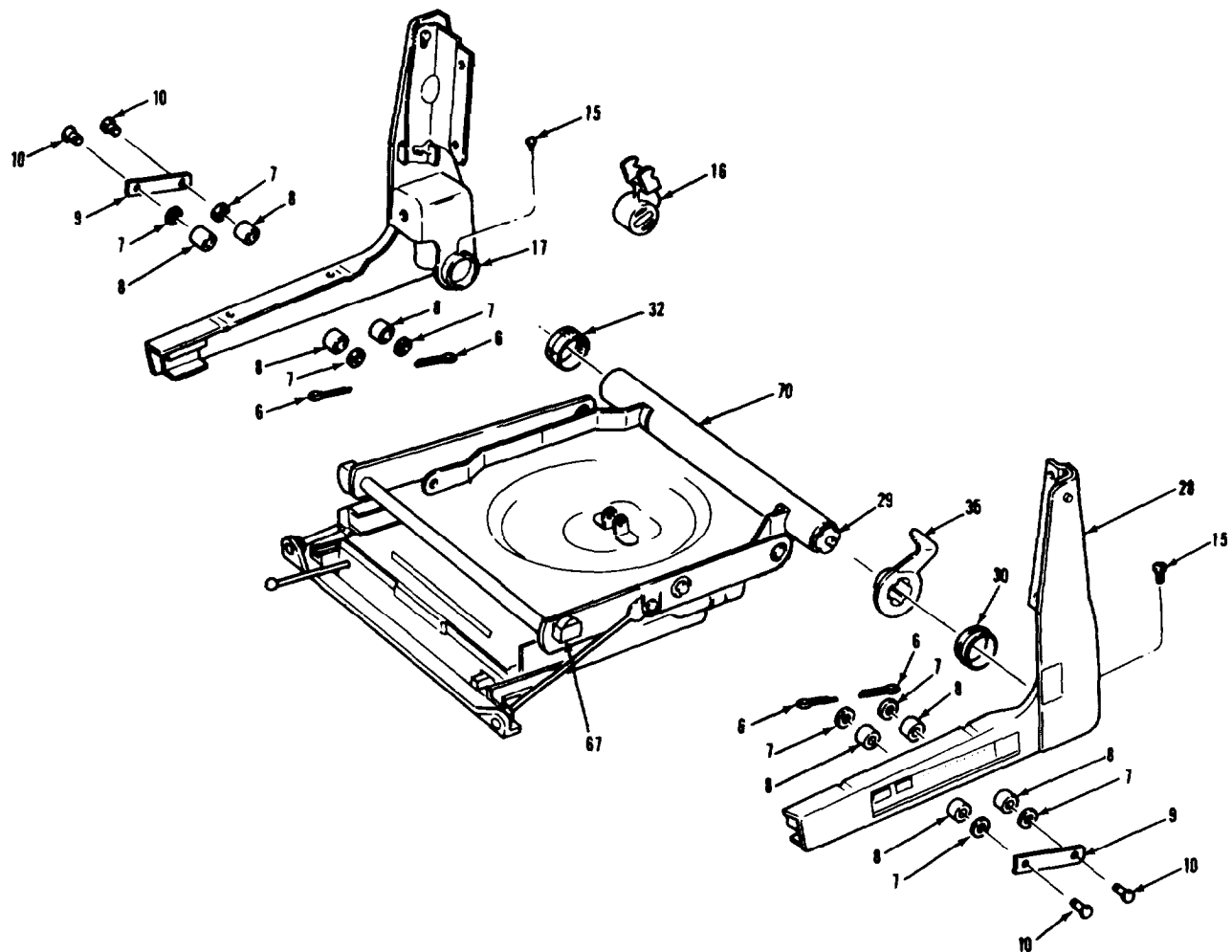
CAB AND BODY.

3-117. DRIVER'S SEAT REPAIR (Continued).

LOCATION/ITEM	ACTION	REMARKS
C. ASSEMBLY (Continued).		
SIDE PANEL ASSEMBLIES		
NOTE		
If any fitting was removed; do step 90, otherwise go to step 91.		
90. Two fittings (15).	Install one item (15) each in either item (17) or item (28).	
91. Two pins (10), rail (9), and washers (7) and (8).	a. Install on item (17). b. Secure with two items (6).	Assistant helps with installation.
92. Bearing (32).	a. Lubricate with suitable white grease. b. Install in item (17).	
93. Yoke (16).	Install in item (17).	
94. Panel assembly (17) and yoke (16).	a. Line up item (31) with slot in item (16). b. Push item (17) in place on items (70) and (67).	Be sure that item (31) does not come out of item (29). Assistant holds item (16) until item (17) is in place.
95. Two pins (10), rail (9), and four washer (7) and (8).	a. Install on item (28). b. Secure with two items (6).	Assistant helps with installation.
96. Indicator (35).	Slide on item (70).	Position pointer forward.
97. Bearing (30).	a. Lubricate with suitable white grease. b. Install in item (28).	
98. Panel assembly (28).	Push in place on items (70) and (67).	

CAB AND BODY.

3-117. DRIVER'S SEAT REPAIR (Continued).



LEGEND:

- | | |
|------------------------------------|-----------------------------------|
| 6. COTTER PIN (4) | 28. LEFT-HAND SIDE PANEL ASSEMBLY |
| 7. FLAT WASHER (4) | 29. TORSION BAR RETAINER |
| 8. RUBBER WASHER (8) | 30. LEFT-HAND HOUSING BEARING |
| 9. SLIDE RAIL (2) | 31. TORSION BAR SET (1-SET) |
| 10. HEADED PIN (4) | 32. RIGHT-HAND HOUSING BEARING |
| 15. SHANK LUBRICATION FITTING (8) | 35. RIDE POSITION INDICATOR |
| 16. ADJUSTER YOKE | 67. ROLLER AND BEARING ASSEMBLY |
| 17. RIGHT-HAND SIDE PANEL ASSEMBLY | 70. CENTER SUPPORT ASSEMBLY |

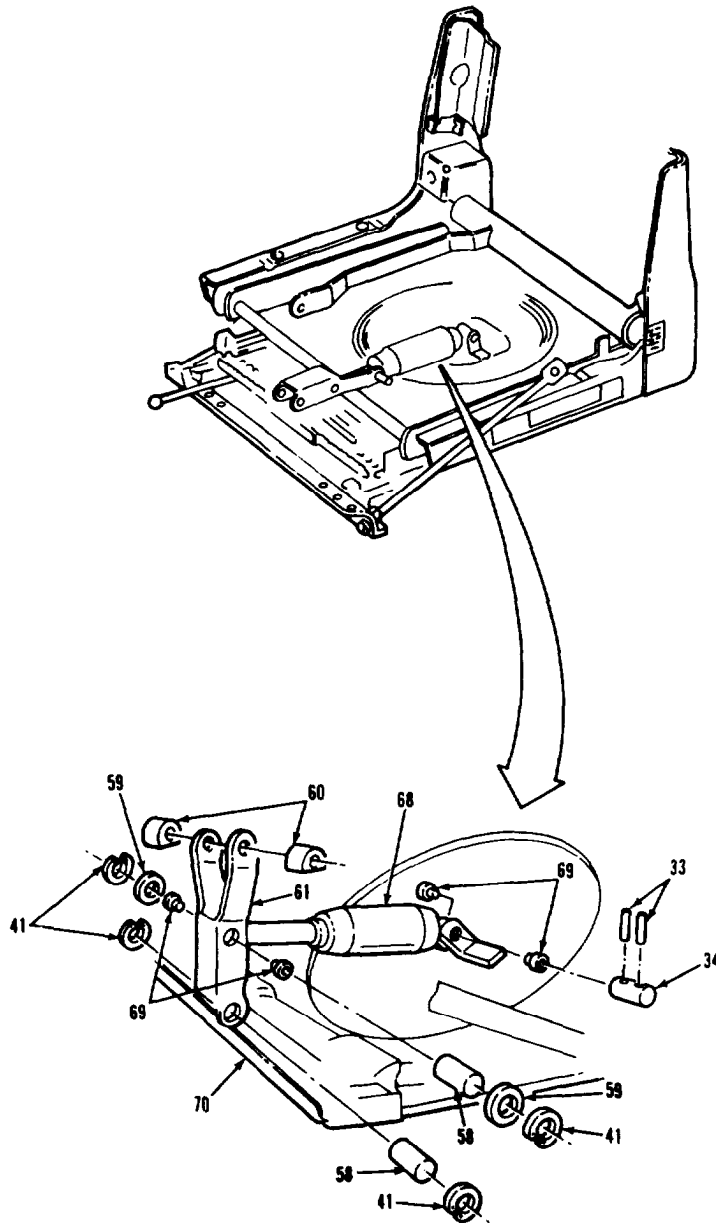
TA 238577

CAB AND BODY.

3-117. DRIVER'S SEAT REPAIR (Continued).		
LOCATION/ITEM	ACTION	REMARKS
C. ASSEMBLY (Continued).		
SHOCK ABSORBER ASSEMBLY		
NOTE		
If any shock absorber flange bearing was removed; do step 99, otherwise go to step 100.		
99. Four bearings (69).	Install in item (68) if necessary.	
100. Shock absorber assembly (68).	<ul style="list-style-type: none"> a. Line up hole in item (68) with holes in item (70). b. Install together with item (34). c. Secure item (34) with two items (33). 	
101. Shock lever assembly (61).	<ul style="list-style-type: none"> a. Line up hole in item (61) with holes in item (68). b. Install together with one item (58). c. Secure with two items (59) and (41). 	
102. Two rollers (60).	Install on item (61).	
103. Shock lever assembly (61).	<ul style="list-style-type: none"> a. Line up hole in item (61) with holes in item (70). b. Install together with one item (58). c. Secure with two items (41). 	

CAB AND BODY.

3-117. DRIVER'S SEAT REPAIR (Continued).



LEGEND:

- | | |
|------------------------------------|-----------------------------|
| 33. ROLL PIN (2) | 60. NYLON ROLLER (2) |
| 34. SHOCK ABSORBER HINGE SHAFT | 61. SHOCK LEVER ASSEMBLY |
| 41. SNAPRING (10) | 68. SHOCK ABSORBER ASSEMBLY |
| 58. SHOCK ABSORBER HINGE SHAFT (2) | 69. FLANGE BEARING (4) |
| 59. FLAT WASHER (2) | 70. CENTER SUPPORT ASSEMBLY |

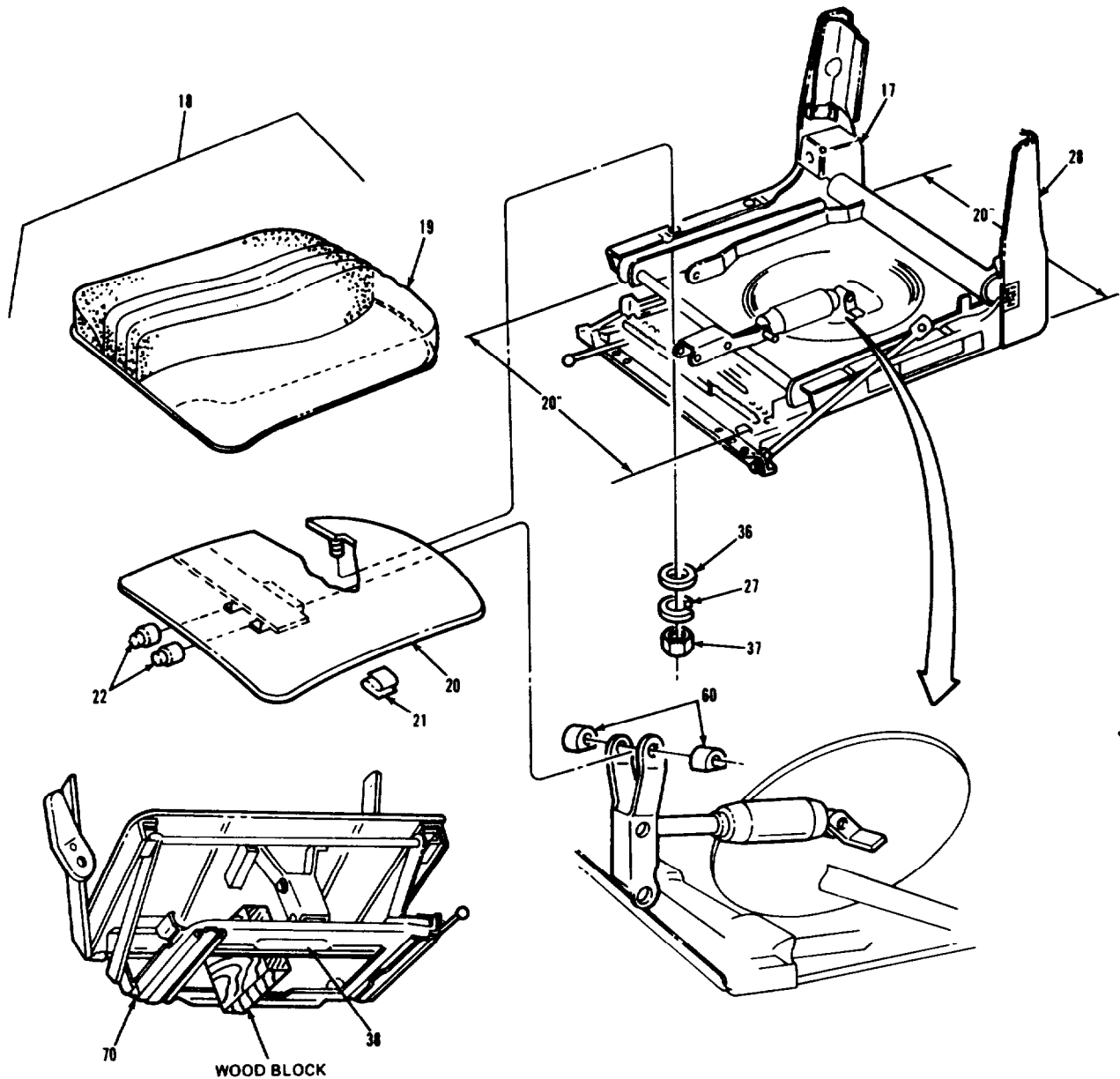
TA 238578

CAB AND BODY.

3-117. DRIVER'S SEAT REPAIR (Continued).		
LOCATION/ITEM	ACTION	REMARKS
C. ASSEMBLY (Continued).		
SEAT CUSHION ASSEMBLY		
104. Two inch-by-four inch wood block.	Place between torsion bar housing on item (70) and item (38) at rear of item (1).	Block should be no more than 3-inches high to allow item (1) to drop 1-inch so that item (18) may be installed.
NOTE		
If bumpers were removed; do step 105, otherwise go to step 106.		
105. Two bumpers (22).	Install in channel on item (20) if necessary.	
106. Six clips (21).	Install on item (20).	
107. Seat cushion cover assembly (19).	a. Install on item (20). b. Secure with six items (21).	
108. Seat cushion assembly (18).	a. Slide on two items (60). b. Lower studs in item (18) into holes in item (17) and (28). c. Measure distance between item (17) and (28) at both front and rear ends. Distance between item (17) and (28) should be 20-inches. (See illustration). d. Secure with four items (37), (27), and (36).	Assistant helps adjust item (17) and (28) in order to maintain 20-inch measurement. Assistant holds items (17) and (28) in order to maintain 20-inch measurement when securing item (18).

CAB AND BODY.

3-117. DRIVER'S SEAT REPAIR (Continued).



LEGEND:

- 1. DRIVER'S SEAT ASSEMBLY
- 17. RIGHT-HAND SIDE PANEL ASSEMBLY
- 18. SEAT CUSHION ASSEMBLY
- 19. SEAT CUSHION COVER ASSEMBLY
- 20. SEAT CUSHION PAN
- 21. CUSHION FASTENER CLIP (12)
- 22. BOTTOM AND TOPPING BUMPER (4)

- 27. LOCKWASHER (12)
- 28. LEFT-HAND SIDE PANEL ASSEMBLY
- 36. WASHER (4)
- 37. HEXAGON HEAD NUT (8)
- 38. BASE ASSEMBLY
- 60. NYLON ROLLER (2)
- 70. CENTER SUPPORT ASSEMBLY

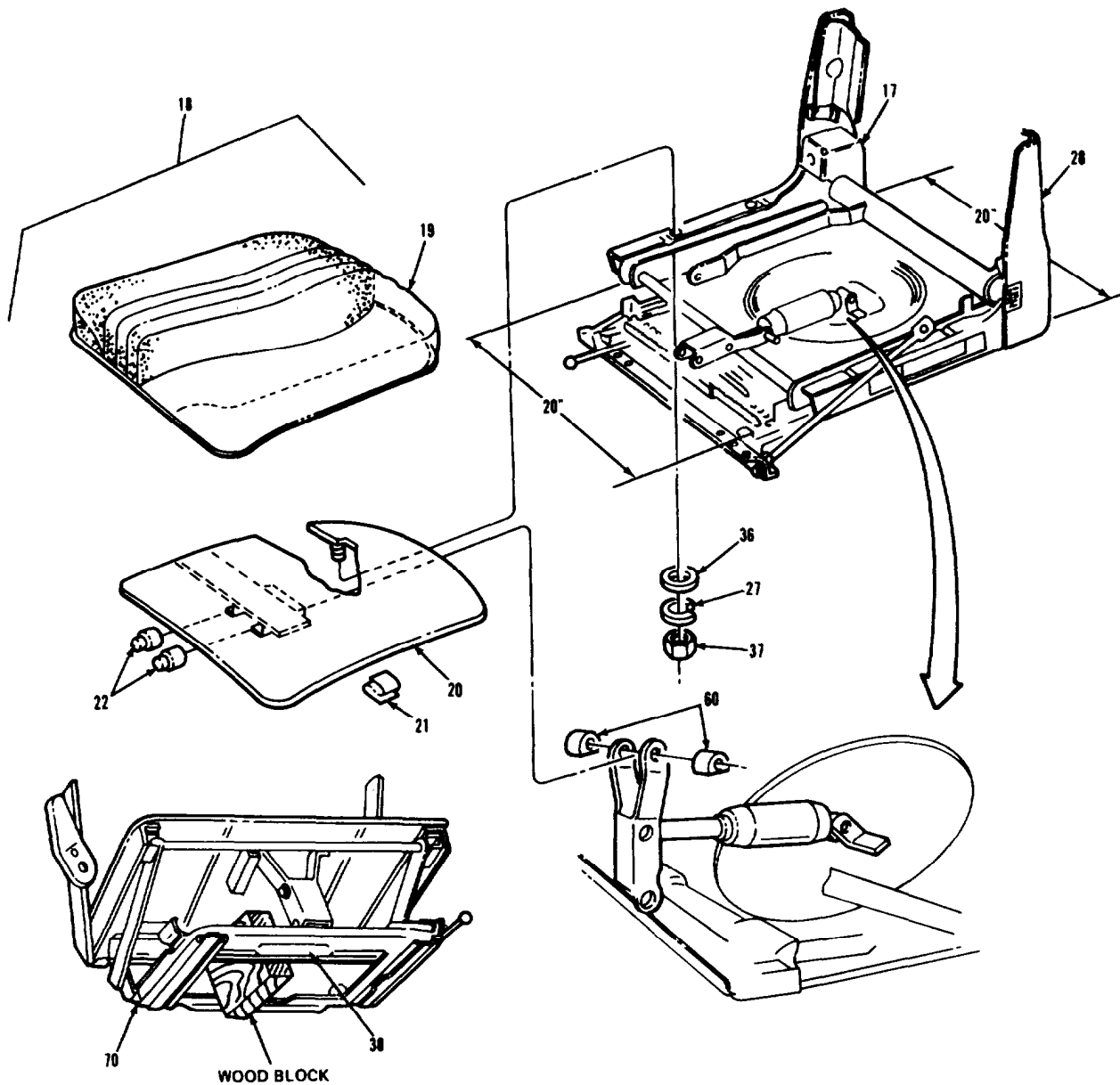
TA 238579

CAB AND BODY.

3-117. DRIVER'S SEAT REPAIR (Continued).		
LOCATION/ITEM	ACTION	REMARKS
C. ASSEMBLY (Continued).		
NOTE		
If bearings were removed; do step 109, otherwise go to step 110.		
109. Two bearings (50).	Install in two items (52), if necessary.	
110. Two channels (52).	Install on two items (9).	
111. Two rods (51).	a. Install in two items (52). b. Secure with two items (49).	
BACK CUSHION ASSEMBLY		
112. Six clips (21).	Install on item (24).	
113. Back cushion cover assembly (25).	a. Install on item (24). b. Secure with six items (21).	
114. Back cushion assembly (23).	a. Line up holes in item (23) with holes in items (17) and (28). b. Secure with four items (26) and (27).	Be sure backrest angle brackets are in proper position.

CAB AND BODY.

3-117. DRIVER'S SEAT REPAIR (Continued).



LEGEND:

- | | |
|------------------------------------|-----------------------------------|
| 1. DRIVER'S SEAT ASSEMBLY | 27. LOCKWASHER (12) |
| 17. RIGHT-HAND SIDE PANEL ASSEMBLY | 28. LEFT-HAND SIDE PANEL ASSEMBLY |
| 18. SEAT CUSHION ASSEMBLY | 36. WASHER (4) |
| 19. SEAT CUSHION COVER ASSEMBLY | 37. HEXAGON HEAD NUT (8) |
| 20. SEAT CUSHION PAN | 38. BASE ASSEMBLY |
| 21. CUSHION FASTENER CLIP (12) | 60. NYLON ROLLER (2) |
| 22. BOTTOM AND TOPPING BUMPER (4) | 70. CENTER SUPPORT ASSEMBLY |

TA 238579

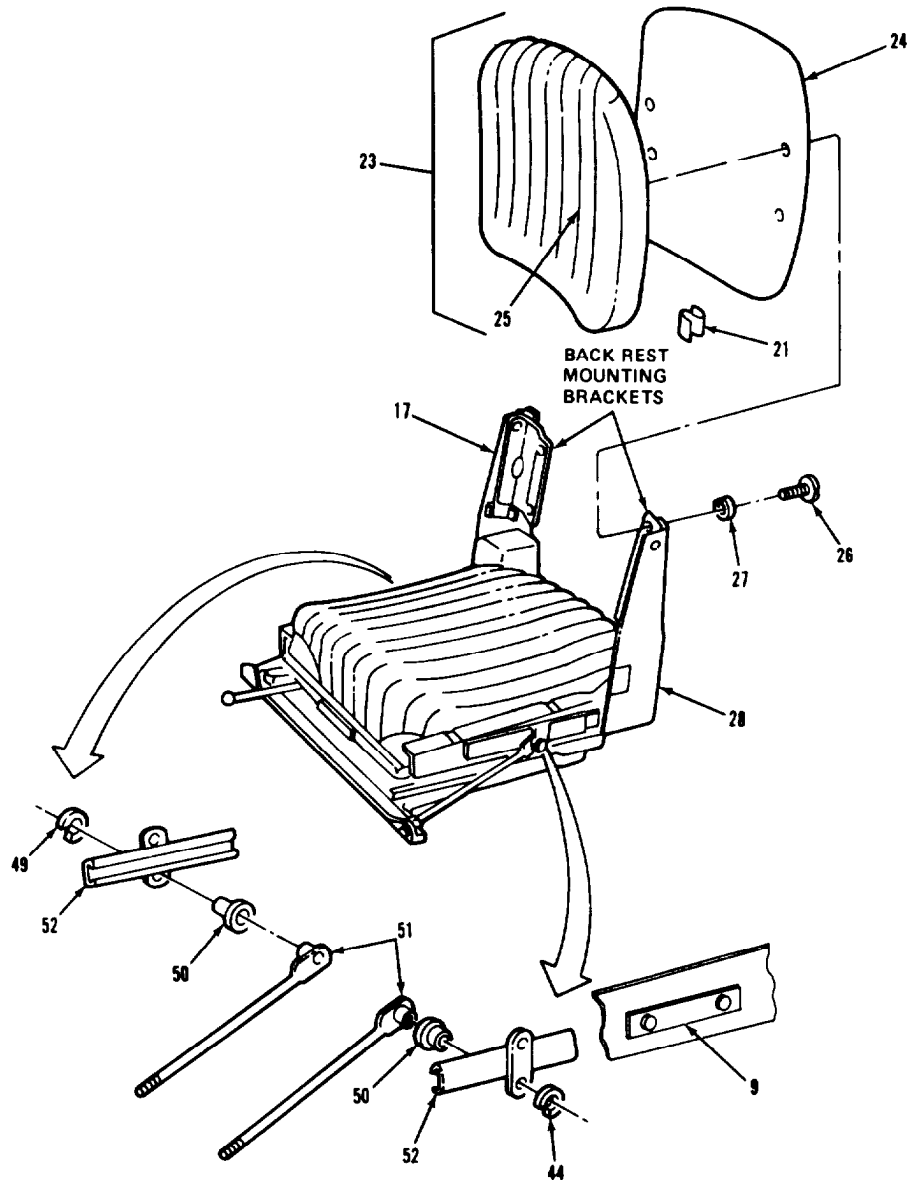
CAB AND BODY.

3-117. DRIVER'S SEAT REPAIR (Continued).

LOCATION/ITEM	ACTION	REMARKS
C. ASSEMBLY (Continued).		
NOTE		
If bearings were removed; do step 109, otherwise go to step 110.		
109. Two bearings (50).	Install in two items (52), if necessary.	
110. Two channels (52).	Install on two items (9).	
111. Two rods (51).	a. Install in two items (52). b. Secure with two items (49).	
BACK CUSHION ASSEMBLY		
112. six clips (21).	Install on item (24).	
113. Back cushion cover assembly (25).	a. Install on item (24). b. Secure with six items (21).	
114. Back cushion assembly (23).	a. Line up holes in item (23) With holes in items (17) and (28). b. Secure with four items (26) and (27).	Be sure backrest angle brackets are in proper position.

CAB AND BODY.

3-117. DRIVER'S SEAT REPAIR (Continued).



LEGEND:

- | | |
|---------------------------------------|-----------------------------------|
| 9. SLIDE RAIL (2) | 27. LOCKWASHER (12) |
| 17. RIGHT-HAND SIDE PANEL ASSEMBLY | 28. LEFT-HAND SIDE PANEL ASSEMBLY |
| 21. CUSHION FASTENER CLIP (12) | 49. SNAPRING (2) |
| 23. BACK CUSHION ASSEMBLY | 50. BRONZE OILITE BEARING (2) |
| 24. BACK CUSHION PAN | 51. SUPPORT ROD (2) |
| 25. BACK CUSHION COVER ASSEMBLY | 52. SLIDE CHANNEL (2) |
| 26. FILLISTER-PHILLIPS HEAD SCREW (4) | |

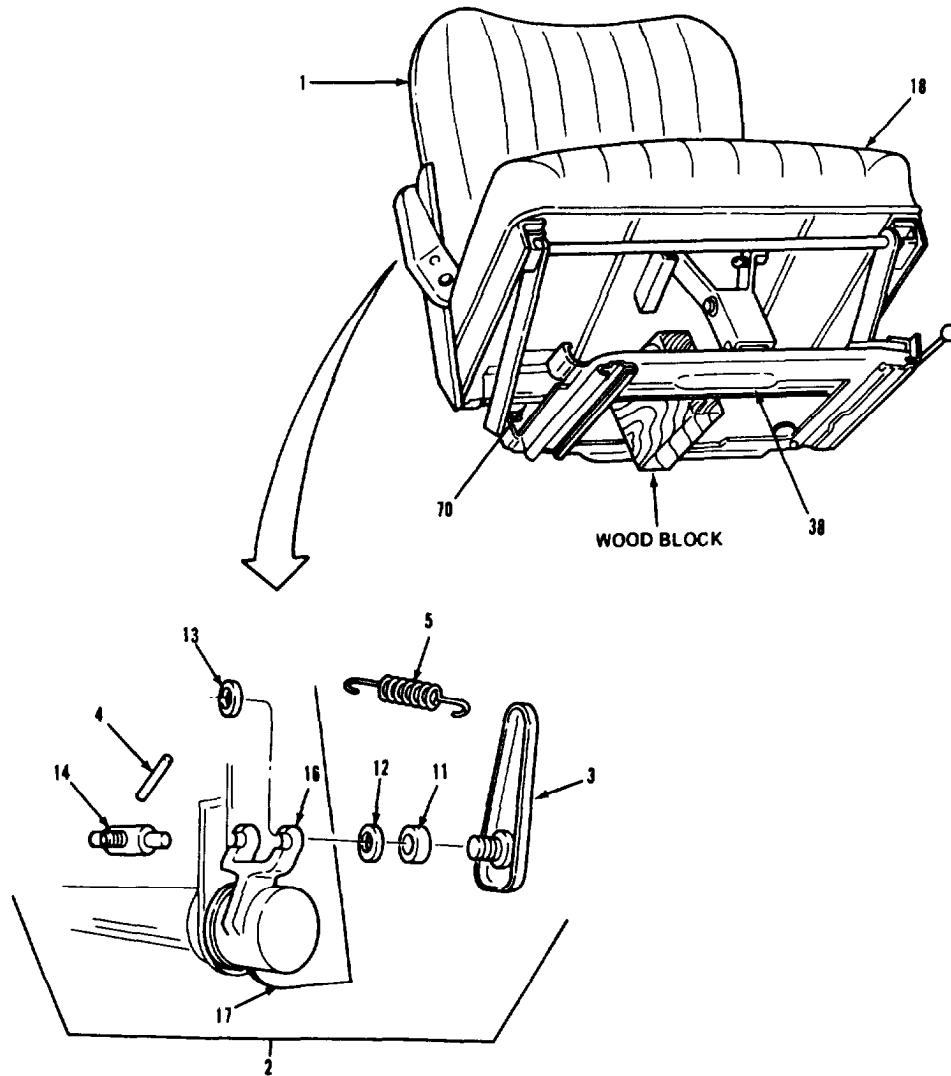
TA 238580

CAB AND BODY.

3-117. DRIVER'S SEAT REPAIR (Continued).		
LOCATION/ITEM	ACTION	REMARKS
C. ASSEMBLY (Continued).		
PLACE PRELOAD TENSION ON TORSION BARS		
115. Spring (5).	Install on item (3).	
116. Bearing (11) and washer (12).	Install on item (3).	
117. Lever assembly (3) with attached parts.	Install in item (17).	
118. Washer (13).	Install on item (3).	
119. Pin (14).	a. Set in position in item (16). b. Rotate item (2) clockwise to thread item (14) onto item (3). c. Secure with item (4).	Assistant helps install item (14). Thread item (14) onto item (3) far enough to install item (4).
120. Wood block.	Remove.	
121. Eight fittings (15) and one fitting (64).	Lubricate, using grease gun.	Refer to LO 9-2320-283-12.
NOTE		
Follow-on maintenance action required:		
Install driver's seat (TM 9-2320-283-20).		

CAB AND BODY.

3-117. DRIVER'S SEAT REPAIR (Continued),



LEGEND:

- | | |
|--------------------------------------|------------------------------------|
| 2. ADJUSTER SCREW AND LEVER ASSEMBLY | 13. WASHER |
| 3. LEVER ASSEMBLY | 14. ADJUSTER PIN |
| 4. DRIVE PIN | 15. SHANK LUBRICATION FITTING (8) |
| 5. TENSION SPRING | 16. ADJUSTER YOKE |
| 11. THRUST BALL BEARING | 17. RIGHT-HAND SIDE PANEL ASSEMBLY |
| 12. FLAT WASHER | 64. SHANK LUBRICATION FITTING |

TA 238581

CAB AND BODY.

3-118. COMPANION SEAT REPAIR.

THIS TASK COVERS

- a. Disassembly.
- b. Cleaning and Inspection.
- c. Assembly.

INITIAL SETUP

<u>APPLICABLE CONFIGURATIONS</u>	<u>EQUIPMENT CONDITION PARAGRAPH</u>	<u>CONDITION DESCRIPTION</u>
All.	TM 9-2320-283-20.	Seat removed from vehicle.

TEST EQUIPMENT

None.

SPECIAL TOOLS

None.

MATERIALS/PARTS (P/N)

Tape, pressure sensitive, adhesive
Item 34, Appendix B.
Rags, wiping
Item 26, Appendix B.
Solvent, drycleaning, SD-2
Item 31, Appendix B.

PERSONNEL REQUIRED

One (MOS-63W).

SPECIAL ENVIRONMENTAL CONDITIONS

None.

REFERENCES (TM)

TM 9-2320-283-20.

GENERAL SAFETY INSTRUCTIONS

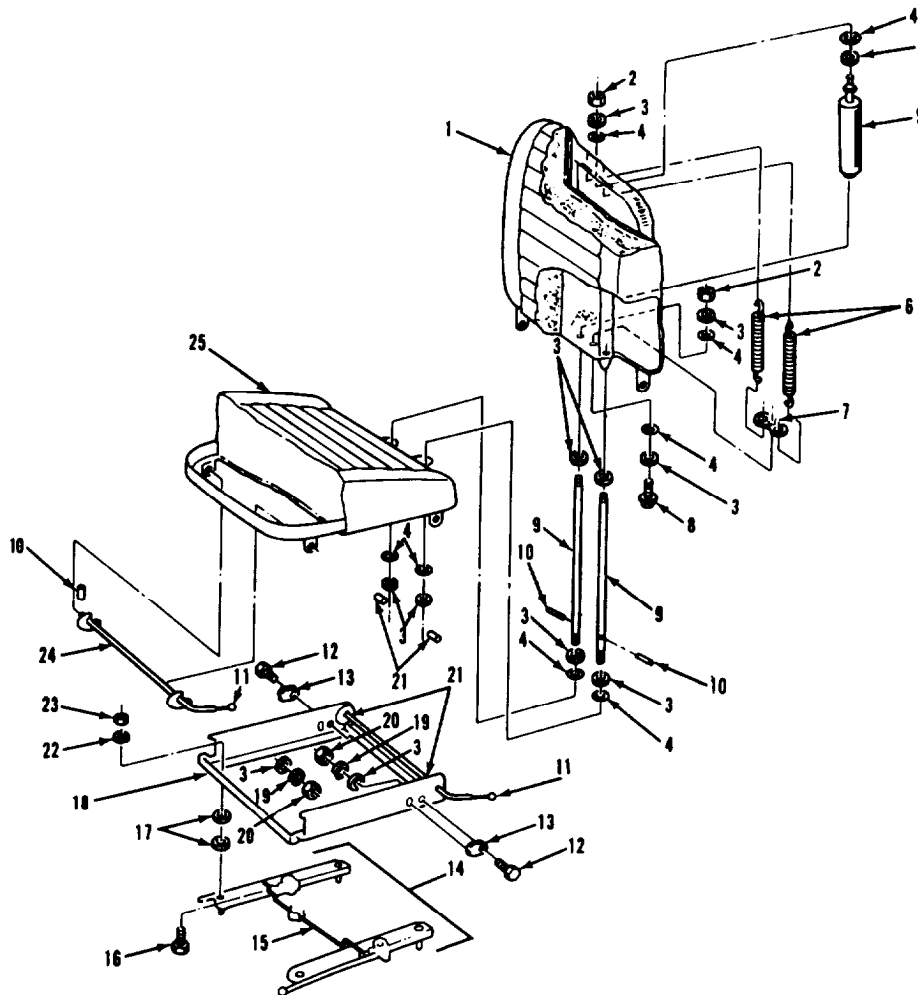
None.

TROUBLESHOOTING REFERENCES

None.

CAB AND BODY.

3-118. COMPANION SEAT REPAIR (Continued).



LEGEND:

- | | |
|-----------------------------|------------------------------------|
| 1. SEAT BACK ASSEMBLY | 14. SLIDE RAIL ASSEMBLY |
| 2. HEX NUT (2) | 15. LATCH WIRE ASSEMBLY |
| 3. FLAT WASHER (12) | 16. HEX HEAD SCREW (4) |
| 4. RUBBER WASHER (8) | 17. FLAT WASHER (8) |
| 5. SHOCK ABSORBER | 18. MOUNTING BASE ASSEMBLY |
| 6. SPRING (2) | 19. LOCKWASHER (2) |
| 7. SPRING ADJUSTER ASSEMBLY | 20. HEX NUT (2) |
| 8. HEX HEAD SCREW | 21. DRIVE PIN (4) |
| 9. PAN CONNECTING ROD (2) | 22. LOCKWASHER (4) |
| 10. DRIVE PIN (3) | 23. HEX NUT (4) |
| 11. PLASTIC KNOB (2) | 24. SEAT CUSHION ADJUSTER ASSEMBLY |
| 12. HEX HEAD SCREW (2) | 25. SEAT BOTTOM ASSEMBLY |
| 13. CLIP (2) | |

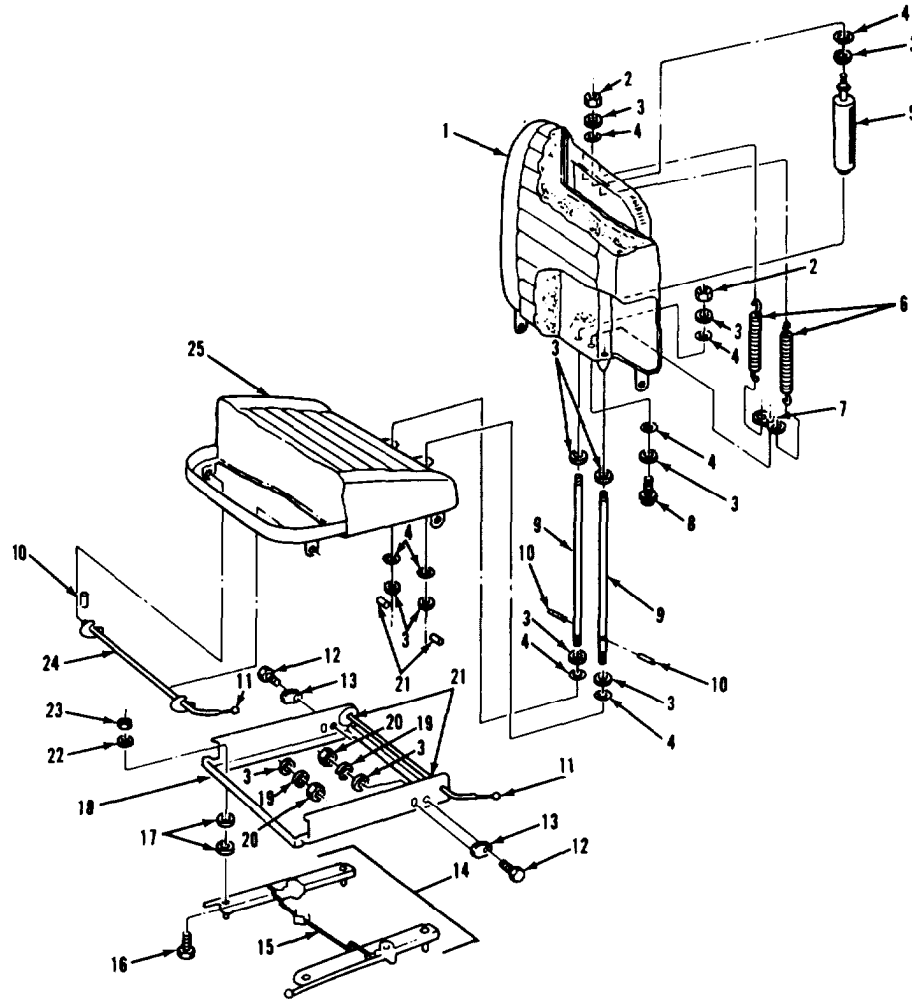
TA 238582

CAB AND BODY.

3-118. COMPANION SEAT REPAIR (Continued).		
LOCATION/ITEM	ACTION	REMARKS
A. DISASSEMBLY.		
1. Two pins (21), washers (3), and washers (4).	Remove from two items (9).	
2. Two screws (12), clips (13), washers (3), lockwashers (19) and nuts (20).	Remove from items (1) and (18).	
3. Seat back assembly (1).	a. Lift from item (25).	Two items (3) and items (4) will fall off two items (9).
	b. Open zipper on back of item (1).	
4. Two springs (6).	Unhook from item (7) and item (1).	
5. Two nuts (2) and washers (3) washers (4).	Remove from item (5).	
6. Shock absorber (5).	a. Remove from item (1).	
	b. Remove item (4) and (3) from item (5).	
7. Two pins (10).	Remove from two items (9).	
8. Two rods (9) and two washers (3).	Remove from item (1).	
9. Screw (8), washer (3), and washer (4).	a. Remove from item (7).	
	b. Remove item (7) from item (1).	
NOTE		
Do not attempt to disassemble seat back assembly. Seat back assembly should be sent to a qualified upholsterer for repair.		

CAB AND BODY.

3-118. COMPANION SEAT REPAIR (Continued).



LEGEND:

- | | |
|-----------------------------|----------------------------|
| 1. SEAT BACK ASSEMBLY | 10. DRIVE PIN (3) |
| 2. HEX NUT (2) | 12. HEX HEAD SCREW (2) |
| 3. FLAT WASHER (12) | 13. CLIP (2) |
| 4. RUBBER WASHER (8) | 18. MOUNTING BASE ASSEMBLY |
| 5. SHOCK ABSORBER | 19. LOCKWASHER (2) |
| 6. SPRING (2) | 20. HEX NUT (2) |
| 7. SPRING ADJUSTER ASSEMBLY | 21. DRIVE PIN (4) |
| 8. HEX HEAD SCREW | 25. SEAT BOTTOM ASSEMBLY |
| 9. PAN CONNECTING ROD (2) | |

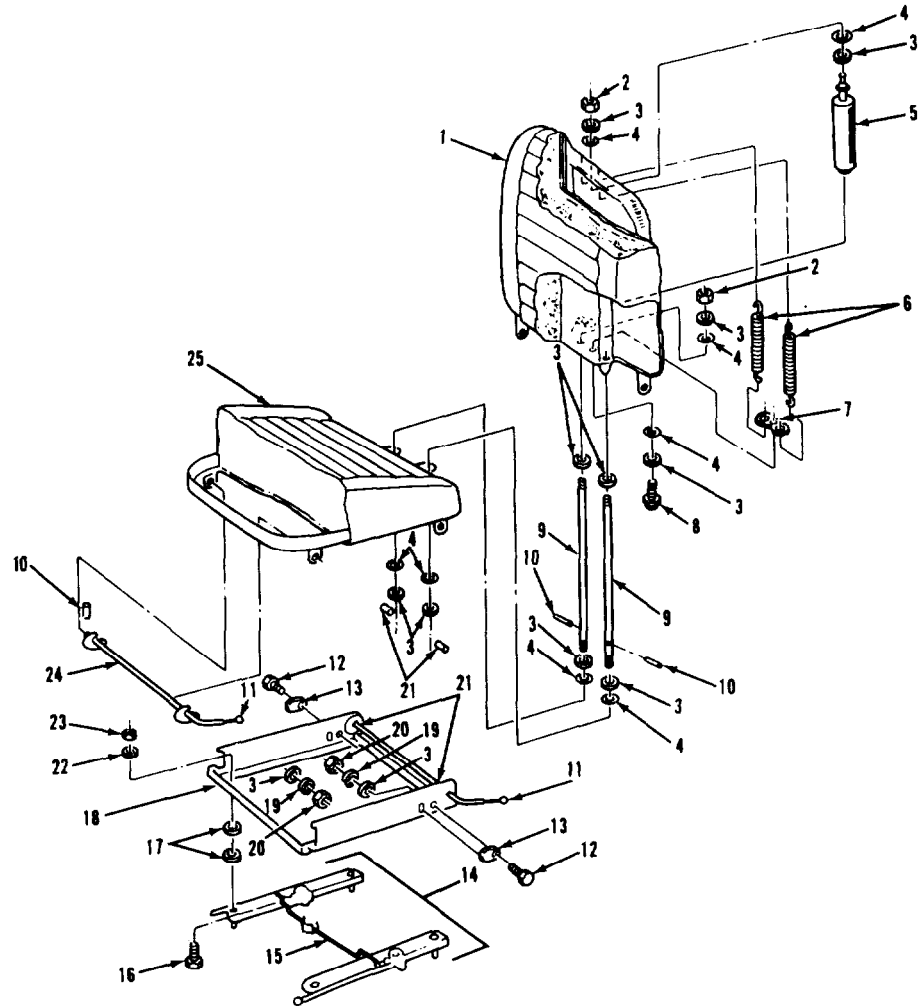
TA 238583

CAB AND BODY.

3-118. COMPANION SEAT REPAIR (Continued).		
LOCATION/ITEM	ACTION	REMARKS
A. DISASSEMBLY (Continued).		
10. Seat bottom assembly (25).	Lift off item (18).	
11. Knob (11).	Remove from item (24).	
12. Pin (10).	Remove from item (24).	
13. Seat cushion adjuster assembly (24).	Remove from item (25).	
	NOTE	
	Do not attempt to disassemble seat bottom assembly. Seat bottom assembly should be sent to a qualified upholsterer for repair.	
14. Four screws (16), eight washers (17), four lock-washers (22), and four nuts (23).	Remove from item (18) and item (14).	
15. Mounting base assembly (18).	Lift from item (14).	
16. Knob (11).	Remove from item (18).	
17. Two pins (21).	Remove from item (18).	
B. CLEANING AND INSPECTION.		
18. All parts.	a. Clean with drycleaning solvent and rags.	Refer to paragraph 3-4.
	b. Inspect.	a. Replace all damaged parts.
		b. If item (1) or item (25) is bad, send to a qualified upholsterer for repair.
		c. Refer to paragraph 3-5.

CAB AND BODY.

3-118. COMPANION SEAT REPAIR (Continued).



LEGEND:

- | | |
|-------------------------|------------------------------------|
| 1. SEAT BACK ASSEMBLY | 18. MOUNTING BASE ASSEMBLY |
| 10. DRIVE PIN (3) | 21. DRIVE PIN (4) |
| 11. PLASTIC KNOB (2) | 22. LOCKWASHER (4) |
| 14. SLIDE RAIL ASSEMBLY | 23. HEX NUT (4) |
| 16. HEX HEAD SCREW (4) | 24. SEAT CUSHION ADJUSTER ASSEMBLY |
| 17. FLAT WASHER (8) | 25. SEAT BOTTOM ASSEMBLY |

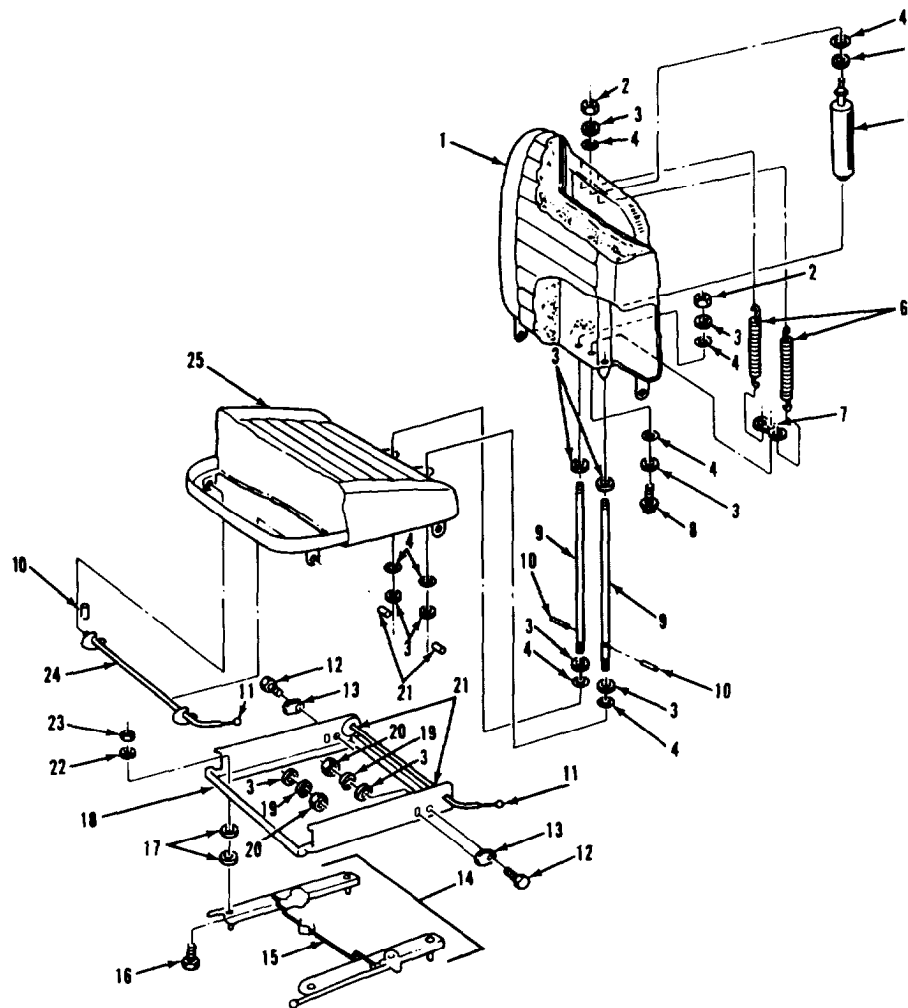
TA 238584

CAB AND BODY.

3-118. COMPANION SEAT REPAIR (Continued).		
LOCATION/ITEM	ACTION	REMARKS
C. ASSEMBLY.		
19. Two pins (21).	Install in item (18).	
20. Knob (11).	Slide on item (18).	
21. Base (18).	Position on item (14).	Be sure item (15) is in position.
22. Four screws (16), eight washers (17), four lock-washers (22), and four nuts (23).	Secure item (18) to item (14).	
23. Adjuster (24).	Slide in item (25).	
24. Pin (10).	Install in item (24).	
25. Knob (11).	Slide on item (24).	
26. Two clips (13).	Place in item (18).	
27. Seat bottom assembly (25).	Place on item (18).	
28. Adjuster (7).	Place in item (1).	
29. Screw (8) and washers (3) and (4).	Screw into item (7).	Screw in only part way. Do not tighten.
30. Two rods (9).	Slide in items (1) and (7).	
31. Two washers (3).	Slide on two items (9).	
32. Two pins (10).	Install in two items (9).	
33. Washers (3) and (4).	Slide on item (5).	
34. Shock absorber (5).	Place in items (1) and (7).	
35. Two washers (4) and (3), and nuts (2).	Secure item (5) to items (1) and (7).	

CAB AND BODY.

3-118. COMPANION SEAT REPAIR (Continued).



LEGEND:

- | | |
|-----------------------------|------------------------------------|
| 1. SEAT BACK ASSEMBLY | 14. SLIDE RAIL ASSEMBLY |
| 2. HEX NUT (2) | 15. LATCH WIRE ASSEMBLY |
| 3. FLAT WASHER (12) | 16. HEX HEAD SCREW (4) |
| 4. RUBBER WASHER (8) | 17. FLAT WASHER (8) |
| 5. SHOCK ABSORBER | 18. MOUNTING BASE ASSEMBLY |
| 7. SPRING ADJUSTER ASSEMBLY | 21. DRIVE PIN (4) |
| 8. HEX HEAD SCREW | 22. LOCKWASHER (4) |
| 9. PAN CONNECTING ROD (2) | 23. HEX NUT (4) |
| 10. DRIVE PIN (3) | 24. SEAT CUSHION ADJUSTER ASSEMBLY |
| 11. PLASTIC KNOB (2) | 25. SEAT BOTTOM ASSEMBLY |
| 13. CLIP (2) | |

TA 238585

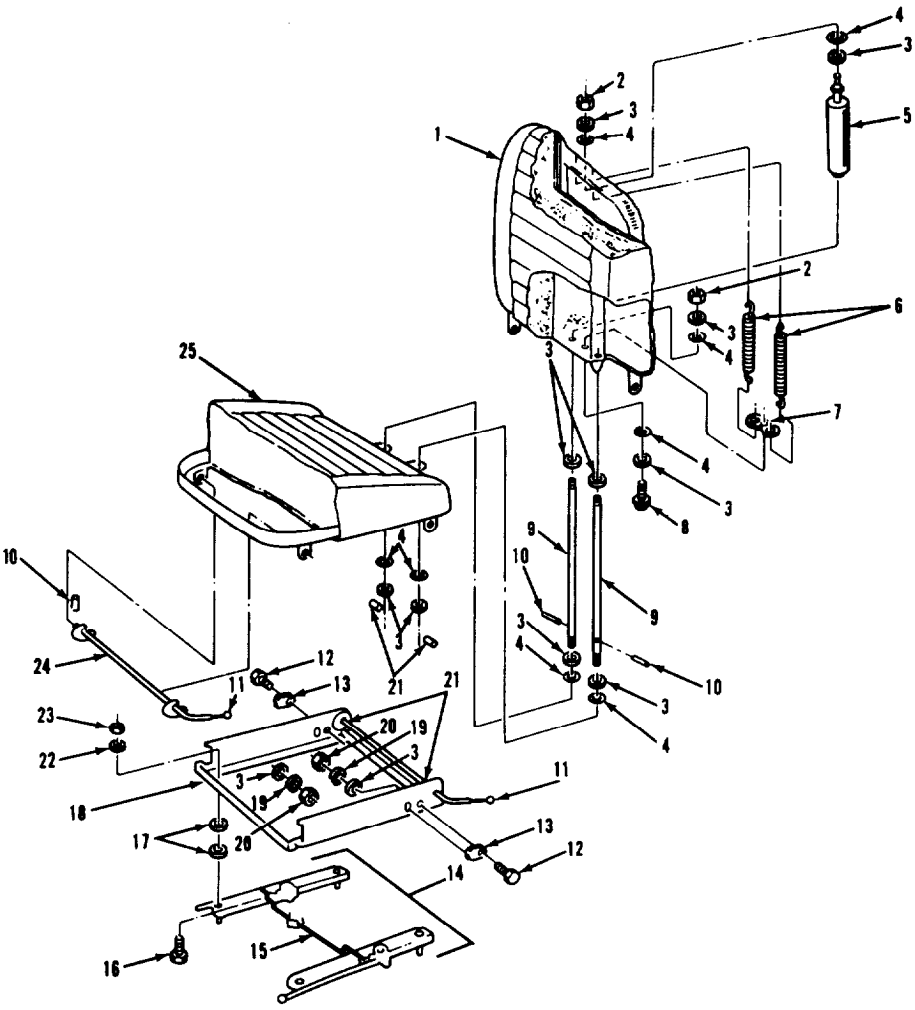
CAB AND BODY.

3-118. COMPANION SEAT REPAIR (Continued).

LOCATION/ITEM	ACTION	REMARKS
C. ASSEMBLY (Continued).		
36. Two springs (6).	Hook to item (1) and item (7).	
37. Two washers (3) and washers (4).	Slide on two items (9).	Use tape to hold in place.
38. Seat back assembly (1).	a. Place on item (25) and item (18). b. Close zipper on back of item (1).	
39. Two screws (12), washers (3), lockwashers (19), and nuts (20).	Secure item (1) to item (18).	
40. Two washers (4) and washers (3).	Slide on two items (9).	
41. Two pins (21).	Install in two items (9).	
NOTE		
Follow-on maintenance action required:		
Install companion seat (TM 9-2320. 283-20).		

CAB AND BODY.

3-118. COMPANION SEAT REPAIR (Continued).



LEGEND:

- 1. SEAT BACK ASSEMBLY
- 3. FLAT WASHER (12)
- 4. RUBBER WASHER (8)
- 6. SPRING (2)
- 7. SPRING ADJUSTER ASSEMBLY
- 9. PAN CONNECTING ROD (2)
- 18. MOUNTING BASE ASSEMBLY
- 21. DRIVE PIN (4)
- 25. SEAT BOTTOM ASSEMBLY

TA 238586

APPENDIX A

REFERENCES

A-1. PUBLICATION INDEXES AND GENERAL REFERENCES.

Indexes should be consulted frequently for latest changes or revisions of references given in this appendix and for new publications relating to material covered in this publication.

a. Military Publication Indexes.

Consolidated Index of Army Publications and Blank Forms	DA PAM 310-1
Index of Army Motion Pictures and Related Audiovisual Aids	DA PAM 108-1
U S Army Equipment Index of Modification Work Orders	DA PAM 750-10

b. General References.

Catalog of Abbreviations and Brevity Codes	AR 310-50
How to Prepare and Conduct Military Training	FM 21-6
Military Symbols	FM 21-30

A-2. FORMS.

Refer to TM 38-750, The Army Maintenance Management System (TAMMS), for instructions on the use of maintenance forms pertaining to the materials.

A-3. OTHER PUBLICATIONS.

The following publications contain information pertinent to the major item material and associated equipment.

A-3. OTHER PUBLICATIONS (Continued).

a. Vehicle.

Lubrication Order, Truck Tractor, M915A1 LO 9-2320-283-12

Operator's Manual, Truck Tractor, M915A1 TM 9-2320-283-10

Hand Receipt Manual, Truck Tractor, M915A1 TM 9-2320-283-10HR

Organizational Maintenance, Truck Tractor, M915A1 TM 9-2320-283-20

Organizational Maintenance Repair Parts and
Special Tools List, Truck Tractor, M915A1 TM 9-2320-283-20P

Direct and General Support Repair Parts and
Special Tools List, Truck Tractor, M915A1 TM 9-2320-283-34P

Direct and General Support Maintenance
(Including Repair Parts and Special Tools List),
Engine, Diesel, NTC 400 TM 9-2815-225-34&P

b. Camouflage.

Camouflage FM 5-20

c. Decontamination.

Chemical, Biological, and Radiological (CBR)
Decontamination TM 3-220

NBC (Nuclear, Biological, and Chemical) Defense FM 21-40

d. General.

Basic Cold Weather Manual FM 31-70

Cooling System: Tactical Vehicles TM 750-254

Manual for Wheeled Vehicle Driver FM 21-305

Northern Operations FM 31-71

Operation and Maintenance of Ordnance Material
in Extreme Cold Weather (0° to -65°F) TM 9-207

Principles of Automotive Vehicles TM 9-8000

Prevention of Motor Vehicle Accidents AR 385-55

Procedures for Destruction of Tank-Automotive
Equipment to Prevent Enemy Use TM 750-244-6

A-3. OTHER PUBLICATIONS (Continued).

e. Maintenance and Repair.

Organizational, Direct Support, and General Support
Maintenance Manual Standards for Inspection and
Classification of Tracks, Track Components and Solid
Rubber Tires (FSC 2530) TM 9-2530-200-24

Standards and Criteria for Technical Inspection and
Classification of Tires (FSC 2610) TM 9-2610-201-14

Description, Use, Bonding Techniques, and
Properties of Adhesives TB ORD 1032

Inspection, Care, and Maintenance of Antifriction
Bearings TM 9-214

Materials Used for Cleaning, Preserving, Abrading,
and Cementing Ordnance Materiel and Related Materials
including Chemicals TM 9-247

Metal Body Repair and Related Operations FM 43-2

Operator's, Organizational, Direct Support and General Support
Maintenance Manual for Lead-Acid Storage Batteries, 4HN, 24V
(NSN 6140-00-059-3528) MS 75047-1; 2HN, 12V
(6140-00-057-2553) MS 35000-6TN, 12V (6140-00-057-2554)
MS 35000- TM 9-6140-200-14

Painting Instructions for Field Use TM 43-0139

Use of Antifreeze Solutions and Cleaning Compounds
in Engine Cooling System TB-750-651

Welding Theory and Application TM 9-237

f. Administrative Storage.

Administrative Storage of Equipment TM 740-90-1

APPENDIX B

EXPENDABLE SUPPLIES AND MATERIALS LIST

Section I. INTRODUCTION

B-1. Scope.

This appendix lists expendable supplies and material you will need to maintain the M915A1 Truck Tractor. These items are authorized to you by CTA 50-970, Expendable Items (Except Medical, Class V, Repair Parts, and Heraldic Items).

B-2. EXPLANATION OF COLUMNS.

- a. Column (1) - Item number. This number is assigned to the entry in the listing and is referenced in the narrative instructions to identify the material (e.g., "Use antiseize compound, Item 5, Appendix B").
- b. Column (2) - Level. This column identifies the lowest level of maintenance that requires the listed item.
 - C - Operator/Crew
 - O - Organizational Maintenance
 - F - Direct Support Maintenance
 - H - General Support Maintenance
- c. Column (3) - National Stock Number. This is the National stock number assigned to the item; use it to request or requisition the item.
- d. Column (4) - Description. Indicates the federal item name and, if required, a description to identify the item.
- e. Column (5) - Unit of Measure (U/M). Indicates the measure used in performing the actual maintenance function. This measure is expressed by a two-character alphabetical abbreviation (e.g., ea, in., pr). If the unit of measure differs from the unit of issue, requisition the lowest unit of issue that will satisfy your requirements.

SECTION II. EXPENDABLE SUPPLIES AND MATERIALS LIST

(1) ITEM NUMBER	(2) LEVEL	(3) NATIONAL STOCK NUMBER	(4) DESCRIPTION	(5) U/M
1	F	5350-00-221-0872	CLOTH, CROCUS P-C-458	SH
2	F		CLOTH, EMERY', 80 GRIT	SH
3	F	5390-00-524-4654	CLOTH, EMERY, 290 GRIT A-A-1049	SH
4	F		CLOTH, LINT FREE	LB
5	F	8030-00-616-7694	COMPOUND, ANTI SEIZE MIL-A-907	LB
6	F	9150-00-698-2382	FLUID, AUTOMATIC TRANSMISSION, TYPE A AQATF1562A1	QT
7	C		GREASE, AUTOMOTIVE AND ARTILLERY, GAA, MIL-G-10924C	
		9150-00-065-0029	2-1/2 OZ TUBE	OZ
		9150-00-935-1017	14-OZ CARTRIDGE	OZ
		9150-00-190-0904	1-LB CAN	LB
		9150-00-190-0905	5-LB CAN	LB
		9150-00-190-0907	35-LB CAN	LB
		9150-00-190-7369	120-LB DRUM	LB
8	F		GREASE, HIGH TEMPERATURE	LB
9	F		GREASE, OIL SOLUBLE	LB
10	F		GREASE, PNEUMATIC	LB
11	F		GREASE, WHITE (SUITABLE)	LB
12	F		LOCTITE, RC601	PT
13	F		LOCTITE, NO. 2214	PT
14	F		LUBRICANT, BW 655M	PT
15	F	8010-00-837-7969	MINERAL SPIRITS TT-T-291	GAL.

SECTION II. EXPENDABLE SUPPLIES AND MATERIALS LIST (Continued).

(1) ITEM NUMBER	(2) LEVEL	(3) NATIONAL STOCK NUMBER	(4) DESCRIPTION	(5) U/M
16	C		OIL, LUBRICATING: DE/HDO 10 MIL-L-2104C	
		9150-00-189-6727	1-QT CAN	QT
		9150-00-186-6618	5-GAL. DRUM	GAL.
		9150-00-265-9429	55-GAL. DRUM, 16-GAGE	GAL.
		9150-00-191-2772	55-GAL. DRUM, 18-GAGE	GAL.
		9150-00-183-7807	BULK	GAL.
17	C		OIL, LUBRICATING: OE/HDO 30 MIL-L-2104C	
		9150-00-186-6681	1-QT CAN	QT
		9150-00-188-9858	5-GAL. DRUM	GAL.
		9150-00-265-9436	55-GAL. DRUM, 16-GAGE	GAL.
		9150-00-189-6729	55-GAL. DRUM, 18-GAGE	GAL.
		9150-00-183-7808	BULK	GAL.
18	C		OIL, LUBRICATING: OE/HDO 50 MIL-L-2104C	
		9150-00-265-9440	1-QT CAN	QT
		9150-00-265-9442	5-GAL. DRUM	GAL.
		9150-00-265-9441	55-GAL. DRUM	GAL.
19	C		OIL, LUBRICATING: ICE SUBZERO OEA, MIL-L-46167	
		9150-00-402-4478	1-QT CAN	QT
		9150-00-402-2372	5-GAL. DRUM	GAL.
		9150-00-491-7197	55-GAL. DRUM	GAL.
20	0		OIL, LUBRICATING: GEAR GO-75 MIL-L-2105C	
		9150-01-035-5390	1-QT CAN	QT
		9150-01-035-5391	5-GAL. DRUM	GAL.
21	0		OIL, LUBRICATING: GEAR GO-80/90 MIL-L-2105C	
		9150-01-035-5392	1-QT CAN	QT
		9150-01-035-5393	5-GAL. DRUM	GAL.
		9150-01-035-5394	55-GAL. DRUM	GAL.
22	0		OIL, LUBRICATING: GEAR GO-80/140, MIL-L-2105C	
		9150-01-035-5395	1-QT CAN	QT
		9150-01-035-5396	5-GAL. DRUM	GAL.
		9150-01-035-5397	55-GAL. DRUM	GAL.

SECTION II. EXPENDABLE SUPPLIES AND MATERIALS LIST (Continued).

(1) ITEM NUMBER	(2) LEVEL	(3) NATIONAL STOCK NUMBER	(4) DESCRIPTION	(3) U/M
23	0		OIL, LUBRICATING: GEAR G0-85/140, MIL-L-2105C 1-QT CAN 5-GAL. DRUM 55-GAL. DRUM	QT GAL. GAL.
24	0	9150-00-261-7904 9150-00-257-5440 9150-00-275-5443	OIL, LUBRICATING: GEAR SUBZERO, GOS, MIL-L-10324 1-QT CAN 5-GAL. DRUM 55-GAL. DRUM	QT GAL. GAL.
25	F		PAINT	GAL.
26	0	7920-00-205-1711	RAGS, WIPING, 50-POUND BALE	LB
27	F		SEALANT, SILICONE RUBBER SILASTIC 3-OZ TUBE 12-OZ TUBE	OZ OZ
28	0		SEALER, NONHARDENING	OZ
29	F	8030-00-246-0933	SEALANT, PIPE, MIL-S-15204	OZ
30	C	N/A	SOLUTION, SOAP	N/A
31	0	6850-00-664-5685 6850-00-281-1985	SOLVENT, DRYCLEANING, SD-2, FED SPEC P-D-680 TYPE II 1-QT CAN 1-GAL. CAN 5-GAL. CAN 55-GAL. DRUM, 16-GAGE 55-GAL. DRUM, 18-GAGE	QT GAL. GAL. GAL. GAL.
32	0		TAGS, PART	N/A
33	F		TAPE, PRESSURE SENSITIVE ADHESIVE, MASKING, 1-INCH WIDE, 60 YARD ROLL	YD
35	0		TAPE, THREAD SEALING 50-FT ROLL, 1/4-inch wide 50-FT ROLL, 1/2-inch wide	FT FT

SECTION II. EXPENDABLE SUPPLIES AND MATERIALS LIST (Continued).

(1) ITEM NUMBER	(2) LEVEL	(3) NATIONAL STOCK NUMBER	(4) DESCRIPTION	(5) U/M
36	O	8040-00-865-8991	SEALANT, LIQUID THREAD 1-PT CAN, MIL-A-46106 1-QT CAN	PT QT
37	C		TOWELS, PAPER	N/A
38	C	6850-00-926-2275	WINDSHIELD, CLEANING COMPOUND FOR	PT
39	F		WINDOW SEALER	OZ
40	F		VARNISH	PT

APPENDIX C

ILLUSTRATED LIST OF MANUFACTURED ITEMS

An illustrated list of manufactured item is not applicable to this technical manual.

APPENDIX D
TORQUE LIMITS

USAGE	MUCH USED	MUCH USED	USED AT TIMES	USED AT TIMES
CAPSCREW DIAMETER AND MINIMUM TENSILE STRENGTH (PSI)	To 1/2- 69, 000 To 3/4- 64, 000 To 1- 55, 000	To 3/4- 120, 000 To 1- 115, 000	To 5/8- 140, 000 To 3/4- 133, 000	150, 000
QUALITY OF MATERIAL	INDETERMINATE	MINIMUM COMMERCIAL	MEDIUM COMMERCIAL	BEST COMMERCIAL
SAE GRADE NUMBER CAPSCREW HEAD MARKINGS: Manufacturer's marks may vary. These are all SAE Grade 5:	1 or 2	5	6 or 7	8
CAPSCREW BODY SIZE (Inches) - (Thread)	TORQUE (1b- ft)	TORQUE (1b- ft)	TORQUE (1b- ft)	TORQUE (1b- ft)
1/4 - 20	6	8	10	12
- 28	11	10	14	14
5/16 - 18	13	17	19	24
- 24	18	19	27	27
3/8 - 16	20	31	34	44
- 24	28	35	49	49
7/16 - 14	30	49	55	70
- 20	39	55	78	78
1/2 - 13	41	75	85	105
- 20	51	85	120	120
9/16 - 12	55	110	167	155
- 18	83	120	210	170
5/8 - 11	95	150	240	210
- 18	105	170	280	240
- 10	115	270	375	375
3/4 - 16	160	295	420	420
7/8 - 9	175	395	605	605
- 14	235	435	675	675
1 - 8	250	590	910	910
- 14		660	990	990

TORQUE LIMITS (Continued).

1. Always use the torque values listed on the preceding page when specific specifications are not available.

NOTE

Do not use these values in place of those specified in this manual; special attention should be observed in case of SAE Grade 6, 7, and 8 capscrew.

2. Torque limits are based on use of clean and dry threads.
3. Reduce torque by 10% when oil is used as a lubricant.
4. Reduce torque by 20% if new plated capscrews are used.

CAUTION

Capscrews threaded into aluminum may require reductions in torque of 30% or more, unless inserts are used.

GLOSSARY

Section I. LIST OF ABBREVIATIONS

Not applicable to this technical manual.
Refer to AR 310-50
(Authorized Abbreviations and Brevity Codes).

Section II. DEFINITION OF UNUSUAL TERMS

Not applicable to this technical manual.

ALPHABETICAL INDEX

Subject, Para	Subject, Para
A	
Abbreviations, page No. Glossary 1	Clutch, Fan Repair, 3-18
Adapter Housing (transmission) Removal, 3-34 Repair, 3-44 Installation, 3-49	Companion Seat Repair, 3-118
Air Compressor Governor Adjustment, 3-83 Replacement, 3-84 Repair, 3-85	Common Tools and Equipment, 2-2
Alternator Repair, 3-21	Converter Housing, Torque Removal, 3-31 Repair, 3-39 Installation, 3-51
B	
Axle Replacement Front, 3-60 Forward-Rear, 3-63 Rear-Rear, 3-72	
B	
Brake Chamber Repair, Forward-Rear Axle, 3-82	
Brake Drum Repair, 3-88	
Brake Shoe Repair, 3-81	
C	
Cab Insulators Replacement, 3-109	
Cab Shell Replacement, 3-110	
Center Support (transmission) Removal, 3-34 Repair, 3-42 Installation, 3-48	
Clutch (transmission), Established Clearances, 3-47	
D	
	Definition of Unusual Terms, page No. Glossary 1
	Destruction of Army Materiel to Prevent Enemy Use, 1-4
	Differential Carrier Cover Replacement, 3-67 Repair, 3-68
	Differential Lockout Replacement, 3-71 Repair, 3-71
	Door Replacement, 3-111 Repair, 3-112
	Door Striker Assembly Replacement, 3-113
	Driver's Seat Repair, 3-117
E	
	Engine Mounts Replacement, 3-11
	Engine Replacement, 3-10

ALPHABETICAL INDEX (Continued)

Subject, Para

Subject, Para

E

Equalizer Beam
 Replacement, 3-102
 Repair, 3-103

Equipment Characteristics,
 Capabilities, and Features, 1-7

Equipment Data, 1-8

Establishing Clutch Clearance, 3-47

Expendable Supplies and Materials
 List, page B-2

Carrier Repair, 3-70
 Flange and Oil Seal Replacement,
 3-66
 Housing and Cover Repair, 3-64
 Replacement, 3-63
 Yoke and Oil Seal Replacement, 3-65

Front Axle
 Replacement, 3-60

Front Spring
 Replacement, 3-104
 Repair, 3-105

Front Support (transmission)
 Repair, 3-39

Fuel Tank
 Repair, 3-14

F

Fan Clutch
 Repair, 3-18

Fifth Wheel
 Repair, 3-97

First Clutch
 Removal, 3-34
 Installation, 3-48

Flywheel (transmission)
 Removal, 3-29
 Repair, 3-36
 Installation, 3-54

Forms, A-2

Fourth Clutch
 Removal, 3-32
 Repair, 3-41
 Installation, 3-50

Forward Clutch
 Removal, 3-32
 Repair, 3-40
 Installation, 3-50

Forward-Rear Axle
 Brake Chamber Repair, 3-82
 Carrier Replacement, 3-69

G

Gear Unit (transmission)
 Removal, 3-35
 Repair, 3-43
 Installation, 3-48

General Maintenance
 Cleaning, 3-4
 Inspection, 3-5
 Repair, 3-6
 Assembly, 3-7

Governor, Air Compressor
 Adjustment, 3-83
 Replacement, 3-84
 Repair, 3-85

Governor (transmission)
 Removal, 3-29
 Installation, 3-49

H

How to Use This Manual, page vii

ALPHABETICAL INDEX (Continued)

Subject, Para	Subject, Para
I	P
Illustrated List of Manufactured Items, page C-1	Publication Index and General References, A-1
Input Shaft (transmission), Repair, 3-40	R
Introduction, page 1-1	Radiator Repair, 3-17
Installation and Removal of Transmission on Holding Fixture, 3-28	Rear Cover (transmission) Removal, 3-33 Repair, 3-45 Installation, 3-49
L	Rear-Rear Axle Carrier Replacement, 3-75 Carrier Repair, 3-76 Flange and Oil Seal Replacement, 3-74 Housing Repair, 3-73 Replacement, 3-72
Low-Reverse Clutch Removal, 3-33 Installation, 3-49	Rear Tandem Axle Spring and Saddle Replacement, 3-100 Spring Hanger Replacement, 3-101
M	Rear Window Replacement, 3-115 Repair, 3-116
Mainshaft (transmission) Repair, 3-43	Repair Parts, 2-4
Maintenance Forms, Records, and Reports, 1-3	Reporting Equipment Improvement Recommendations (EIR), 1-6
Modulator Retainer (transmission) Installation, 3-55	Reverse Clutch Removal, 3-34 Installation, 3-48
Mounts Replacement Cab, 3-109 Engine, 3-11 Transmission 3-26	S
O	Seat Companion, 3-118 Driver's, 3-117
Oil Pan (transmission) Removal, 3-30 Installation, 3-54	
Other Publications, A-3	

ALPHABETICAL INDEX (Continued)

Subject, Para

S

Second Clutch
Removal, 3-35
Installation, 3-48

Shift Speed Adjustment
(transmission), 3-56

Special Tools, TMDE, and Support
Equipment, 2-3

Spring Replacement
Front, 3-104
Rear, 3-100

Starter Motor and Solenoid
Repair, 3-22

Stator (transmission)
Removal, 3-29
Repair, 3-37
Installation, 3-52

Steering Gear
Adjustment, 3-92
Replacement, 3-93

Steering Pump and Reservoir
Repair, 3-94

T

Third Clutch
Removal, 3-32
Installation, 3-50

Torque Converter Housing
Removal, 3-31
Repair, 3-39
Installation, 3-50

Torque Converter Pump
Removal, 3-31
Repair, 3-38
Installation, 3-52

Subject, Para

Torque Limits, page D-1

Transmission
Replacement, 3-27
Installation and Removal on Holding
Fixture, 3-28

Transmission Mounts
Replacement, 3-27

Transmission Oil Pressure Test, 3-57

Troubleshooting
Symptom Index, 2-6
Table 2-1 (Procedures), 2-7

Turbine (transmission)
Removal, 3-29
Repair, 3-36
Installation, 3-54

V

Valve Body (transmission)
Removal, 3-30
Installation, 3-54

Valve Spacer (transmission)
Installation, 3-55

W

Wear Limits and Replacement Standards
(transmission), 3-25

Window, Rear
Replacement, 3-115
Repair, 3-116

Windshield Replacement, 3-114

By Order of the Secretary of the Army:

E. C. MEYERS
General, United States Army
Chief of Staff

Official :

JOHN A. WICKHAM, JR.
Brigadier General, United States Army
The Adjutant General

Official:

To be distributed in accordance with DA Form 12-38, Direct and General Support Maintenance requirements for Truck, Tractor, Line Haul, 6X4, M915A1.



THEN... JOT DOWN THE DOPE ABOUT IT ON THIS FORM. CAREFULLY TEAR IT OUT, FOLD IT AND DROP IT IN THE MAIL!

SOMETHING WRONG WITH THIS PUBLICATION?

FROM: (PRINT YOUR UNIT'S COMPLETE ADDRESS)
Your address goes here

DATE SENT
Put today's date

PUBLICATION NUMBER
 TM 9-2320-283-34-2

PUBLICATION DATE
 APRIL 1983

PUBLICATION TITLE
 M915A1 ORGANIZATIONAL MAINTENANCE MANUAL

BE EXACT... PIN-POINT WHERE IT IS

PAGE NO.	PARA-GRAPH	FIGURE NO.	TABLE NO.
3-16	3-12	—	—

IN THIS SPACE TELL WHAT IS WRONG AND WHAT SHOULD BE DONE ABOUT IT:

This task set up page, and all others, would be more helpful to the mechanic in planning his time, if times were shown. For example, if the task covers removal and installation, it would be helpful to know the average R&R time for the component.

SAMPLE

PRINTED NAME, GRADE OR TITLE, AND TELEPHONE NUMBER
PFC John Doe AVN XXX-XXXX

SIGN HERE:
PFC John Doe

FILL IN YOUR
UNIT'S ADDRESS

FOLD BACK

DEPARTMENT OF THE ARMY

Commander
US Army Tank-Automotive Command
ATTN: DRSTA-MB
Warren, MI 48090.

TEAR AT

TEAR LINE

FILL IN YOUR
UNIT'S ADDRESS

FOLD BACK

DEPARTMENT OF THE ARMY

Commander
US Army Tank-Automotive Command
ATTN: DRSTA-MB
Warren, MI 48090.

TEAM ALPH

DATED LINE

RECOMMENDED CHANGES TO EQUIPMENT TECHNICAL PUBLICATIONS



THEN... JOT DOWN THE DOPE ABOUT IT ON THIS FORM. CAREFULLY TEAR IT OUT, FOLD IT AND DROP IT IN THE MAIL!

SOMETHING WRONG WITH THIS PUBLICATION?

FROM: (PRINT YOUR UNIT'S COMPLETE ADDRESS)

DATE SENT

PUBLICATION NUMBER

TM 9-2320-283-34-2

PUBLICATION DATE

APRIL 1983

PUBLICATION TITLE

M915A1 ORGANIZATIONAL MAINTENANCE MANUAL

BE EXACT... PIN-POINT WHERE IT IS

PAGE NO.

PARA-GRAPH

FIGURE NO.

TABLE NO.

IN THIS SPACE TELL WHAT IS WRONG AND WHAT SHOULD BE DONE ABOUT IT:

PRINTED NAME, GRADE OR TITLE, AND TELEPHONE NUMBER

SIGN HERE:

FILL IN YOUR
UNIT'S ADDRESS

FOLD BACK

DEPARTMENT OF THE ARMY

Commander
US Army Tank-Automotive Command
ATTN: DRSTA-MB
Warren, MI 48090.

TEAR ALONG

PAVED LINE

RECOMMENDED CHANGES TO EQUIPMENT TECHNICAL PUBLICATIONS



THEN... JOT DOWN THE DOPE ABOUT IT ON THIS FORM, CAREFULLY TEAR IT OUT, FOLD IT AND DROP IT IN THE MAIL!

SOMETHING WRONG WITH THIS PUBLICATION?

FROM: (PRINT YOUR UNIT'S COMPLETE ADDRESS)

DATE SENT

PUBLICATION NUMBER

TM 9-2320-283-34-2

PUBLICATION DATE

APRIL 1983

PUBLICATION TITLE

M915A1 ORGANIZATIONAL
MAINTENANCE MANUAL

BE EXACT... PIN-POINT WHERE IT IS

PAGE
NO.

PARA-
GRAPH

FIGURE
NO.

TABLE
NO.

IN THIS SPACE TELL WHAT IS WRONG
AND WHAT SHOULD BE DONE ABOUT IT:

PRINTED NAME, GRADE OR TITLE, AND TELEPHONE NUMBER

SIGN HERE:

DA FORM 2028-2
1 JUL 79

PREVIOUS EDITIONS
ARE OBSOLETE.

P.S.—IF YOUR OUTFIT WANTS TO KNOW ABOUT YOUR
RECOMMENDATION MAKE A CARBON COPY OF THIS
AND GIVE IT TO YOUR HEADQUARTERS.

FILL IN YOUR
UNIT'S ADDRESS

FOLD BACK

DEPARTMENT OF THE ARMY

Commander
US Army Tank-Automotive Command
ATTN: DRSTA-MB
Warren, MI 48090.

YEAR ALPH.

DATED LINE

THE METRIC SYSTEM AND EQUIVALENTS

LINEAR MEASURE

1 Centimeter = 10 Millimeters = 0.01 Meters = 0.3937 Inches
 1 Meter = 100 Centimeters = 1000 Millimeters = 39.37 Inches
 1 Kilometer = 1000 Meters = 0.621 Miles

SQUARE MEASURE

1 Sq Centimeter = 100 Sq Millimeters = 0.155 Sq Inches
 1 Sq Meter = 10,000 Sq Centimeters = 10.76 Sq Feet
 1 Sq Kilometer = 1,000,000 sq Meters = 0.386 sq Miles

WEIGHTS

1 Gram = 0.001 Kilograms = 1000 Milligrams = 0.035 Ounces
 1 Kilogram = 1000 Grams = 2.2 Lb
 1 Metric Ton = 1000 Kilograms = 1 Megagram = 1.1 Short Tons

CUBIC MEASURE

1 Cu Centimeter = 1000 Cu Millimeters = 0.06 Cu Inches
 1 Cu Meter = 1,000,000 Cu Centimeters = 35.31 Cu Feet

LIQUID MEASURE

1 Milliliter = 0.001 Liters = 0.0338 Fluid Ounces
 1 Liter = 1000 Milliliters = 33.82 Fluid Ounces

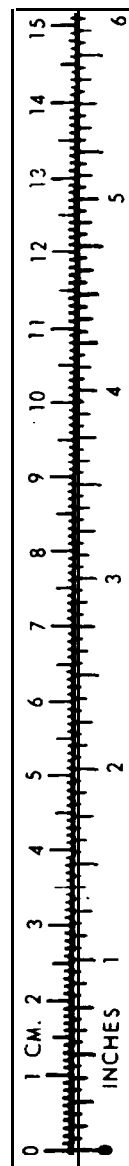
TEMPERATURE

$5/9 (^{\circ}\text{F} - 32) = ^{\circ}\text{C}$
 212° Fahrenheit is equivalent to 100° Celsius
 90° Fahrenheit is equivalent to 32.2° Celsius
 32° Fahrenheit is equivalent to 0° Celsius
 $9 / 5 \text{ } ^{\circ}\text{C} + 32 = \text{ } ^{\circ}\text{F}$

APPROXIMATE CONVERSION FACTORS

<u>TO CHANGE</u>	<u>TO</u>	<u>MULTIPLY BY</u>
Inches	Centimeters	2.540
Feet	Meters	0.305
Yards	Meters	0.914
Miles	Kilometers	1.609
Square Inches	Square Centimeters	6.451
Square Feet	Square Meters	0.093
Square Yards	Square Meters	0.836
Square Miles	Square Kilometers	2.590
Acres	Square Hectometers	0.405
Cubic Feet	Cubic Meters	0.028
Cubic Yards	Cubic Meters	0.765
Fluid Ounces	Milliliters	29.573
Pints	Liters	0.473
Quarts	Liters	0.946
Gallons	Liters	3.785
Ounces	Grams	28.349
Pounds	Kilograms	0.454
Short Tons	Metric Tons	0.907
Pound-Feet	Newton-Meters	1.356
Pounds per Square Inch	Kilopascals	6.895
Miles per Gallon	Kilometers per Liter	0.425
Miles per Hour	Kilometers per Hour	1.609

<u>TO CHANGE</u>	<u>TO</u>	<u>MULTIPLY BY</u>
Centimeters	Inches	0.3937
Meters	Feet	3.280
Meters	Yards	1.094
Kilometers	Miles	0.621
Square Centimeters	Square Inches	0.155
Square Meters	Square Feet	10.764
Square Meters	Square Yards	1.196
Square Kilometers	Square Miles	0.386
Square Hectometers	Acres	2.471
Cubic Meters	Cubic Feet	35.315
Cubic Meters	Cubic Yards	1.308
Milliliters	Fluid Ounces	0.034
Liters	Pints	2.113
Liters	Quarts	1.057
Liters	Gallons	0.264
Grams	Ounces	0.035
Kilograms	Pounds	2.205
Metric Tons	Short Tons	1.102
Newton-Meters	Pound-Feet	0.738
Kilopascals	Pounds per Square Inch	0.145
Kilometers per Liter	Miles per Gallon	2.354
Kilometers per Hour	Miles per Hour	0.621



TA089991

